



US00D678284S

(12) **United States Design Patent**
Coulter

(10) **Patent No.:** **US D678,284 S**
(45) **Date of Patent:** **** Mar. 19, 2013**

- (54) **INTERCHANGEABLE JOYSTICK**
- (76) Inventor: **Todd Coulter**, Memphis, TN (US)
- (**) Term: **14 Years**
- (21) Appl. No.: **29/415,949**
- (22) Filed: **Mar. 15, 2012**
- (51) **LOC (9) Cl.** **14-02**
- (52) **U.S. Cl.** **D14/412**
- (58) **Field of Classification Search** D14/217,
D14/218, 356, 388, 389, 400, 401, 412-416,
D14/432-434, 454, 496; D21/324, 332,
D21/333; D34/27, 35; 463/1, 30, 36-38,
463/46, 47; 345/156-161, 905; D12/174,
D12/178-180; D8/300, 303; D15/138, 142;
74/489, 502.2, 523, 551.8, 551.9
See application file for complete search history.

(56) **References Cited**

U.S. PATENT DOCUMENTS

D51,333 S *	10/1917	Heizmann	D8/310
1,736,830 A *	11/1929	McKee et al.	404/15
2,304,345 A *	12/1942	Elliott	404/15
D310,874 S *	9/1990	Utley, Jr.	D23/376
D331,060 S *	11/1992	Emmons et al.	D14/218
D474,672 S *	5/2003	Fields	D8/310

D501,848 S *	2/2005	Uehara et al.	D14/240
D518,030 S *	3/2006	Lin	D14/218
D521,512 S *	5/2006	Kunzi et al.	D14/388
D540,395 S *	4/2007	Bailey	D21/333
D558,767 S *	1/2008	Solland	D14/412
D603,457 S *	11/2009	Julskjer et al.	D21/324
D613,291 S *	4/2010	Carver	D14/432
D617,847 S *	6/2010	Royer et al.	D21/333
D625,295 S *	10/2010	Nogueira et al.	D14/218
D632,281 S *	2/2011	Hoehn et al.	D14/218
D639,783 S *	6/2011	Murayama et al.	D14/218

* cited by examiner

Primary Examiner — Keli L Hill

(74) *Attorney, Agent, or Firm* — QuickPatents; Kevin Prince

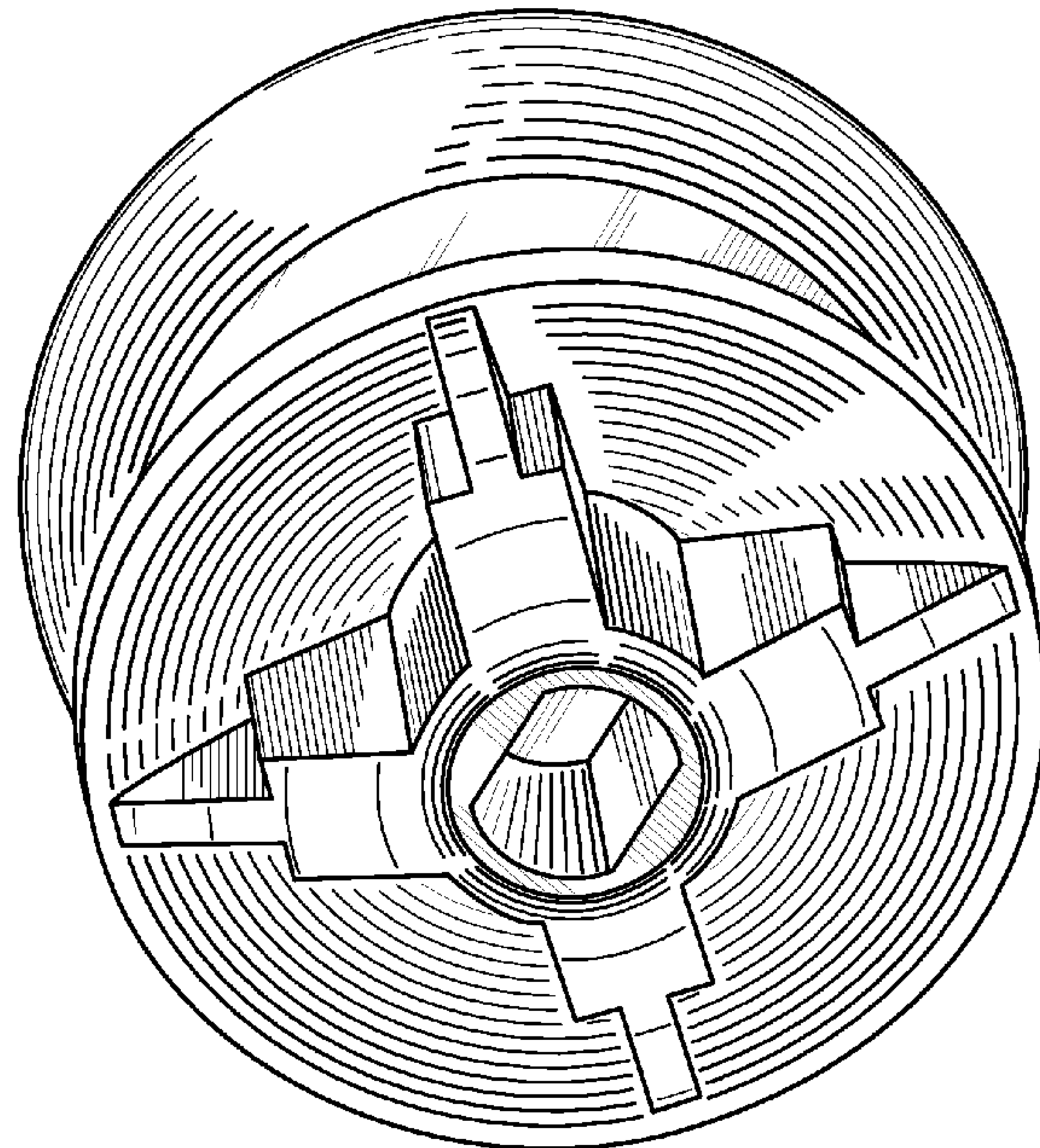
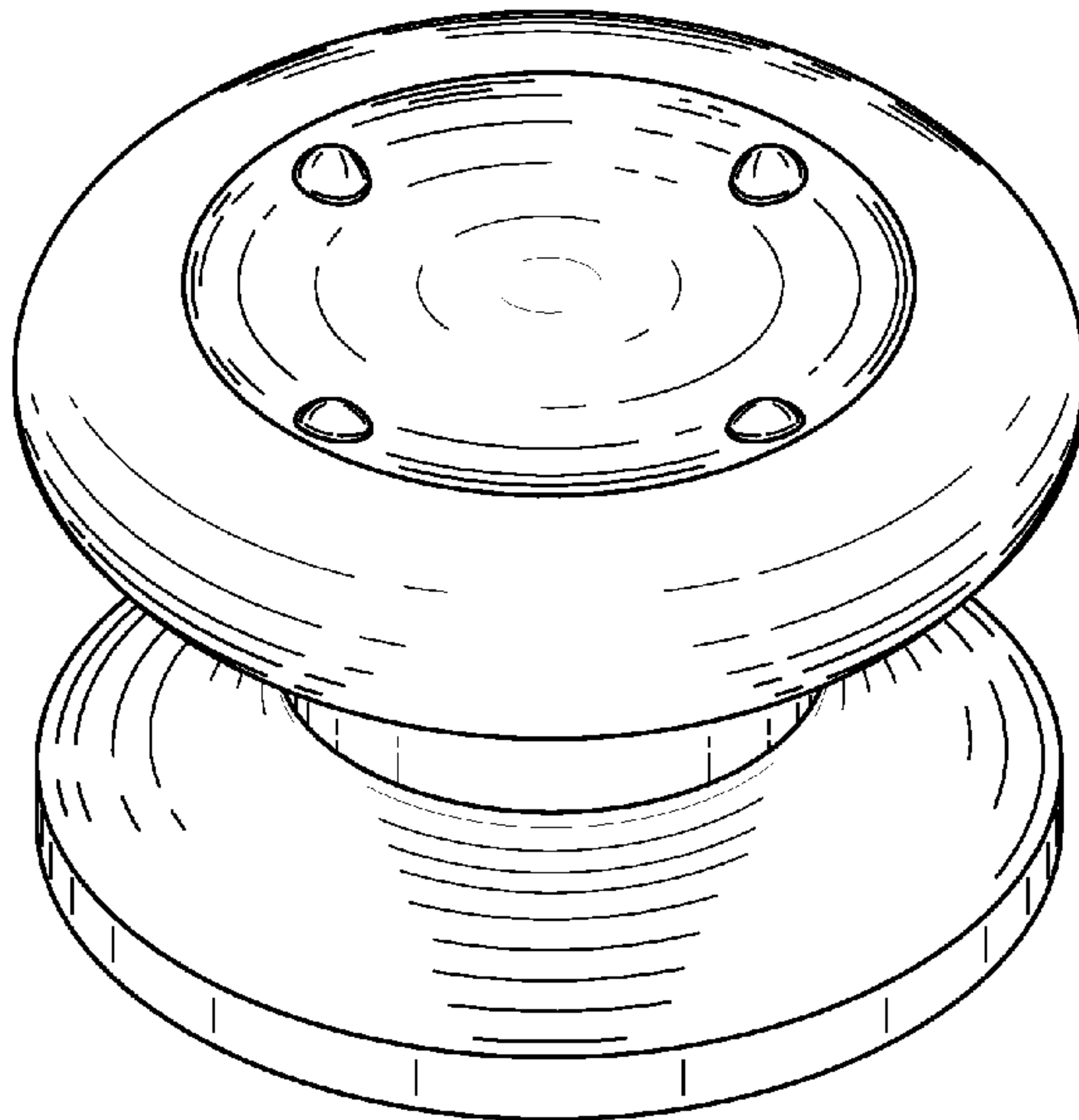
(57) **CLAIM**

I claim the ornamental design for an interchangeable joystick, as shown and described.

DESCRIPTION

FIG. 1 is a top perspective view of an interchangeable joystick, showing my new design;
 FIG. 2 is a bottom perspective view of FIG. 1;
 FIG. 3 is a front elevational view of FIG. 1, the rear elevational view, left-side elevational view, and right-side elevational view all being mirror images thereof;
 FIG. 4 is a top plan view thereof; and,
 FIG. 5 is a bottom plan view thereof.

1 Claim, 3 Drawing Sheets



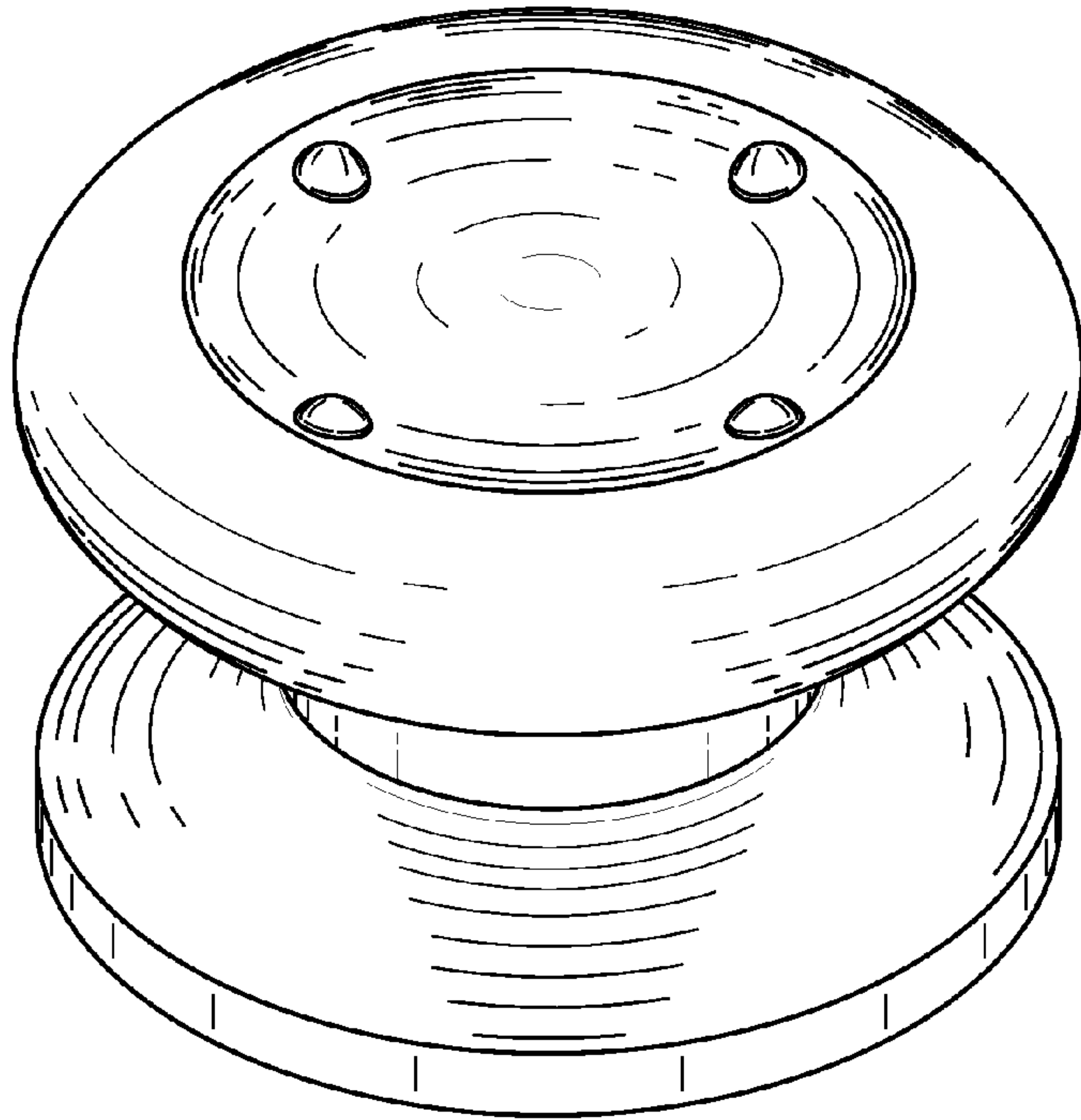


FIG. 1

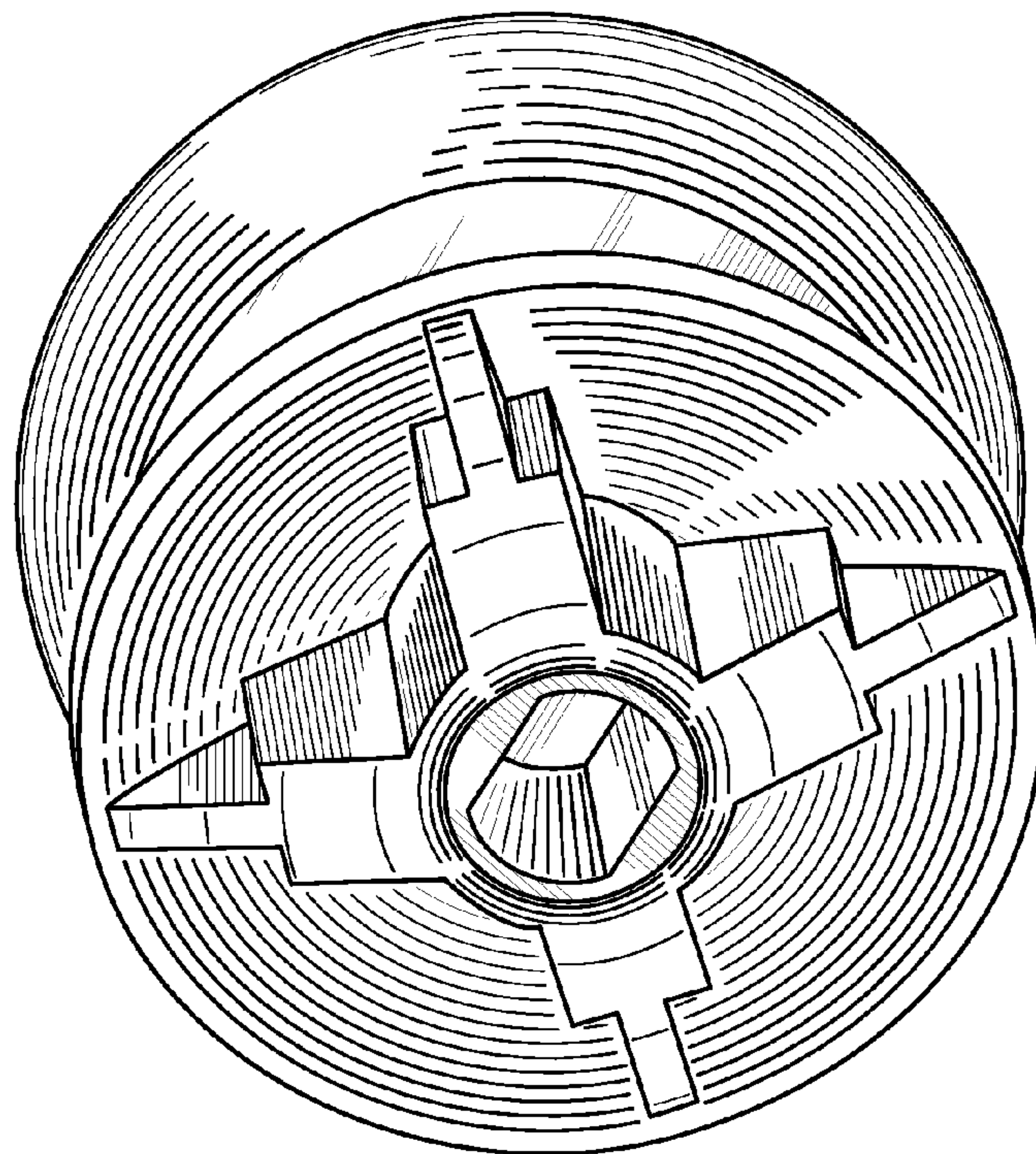


FIG. 2

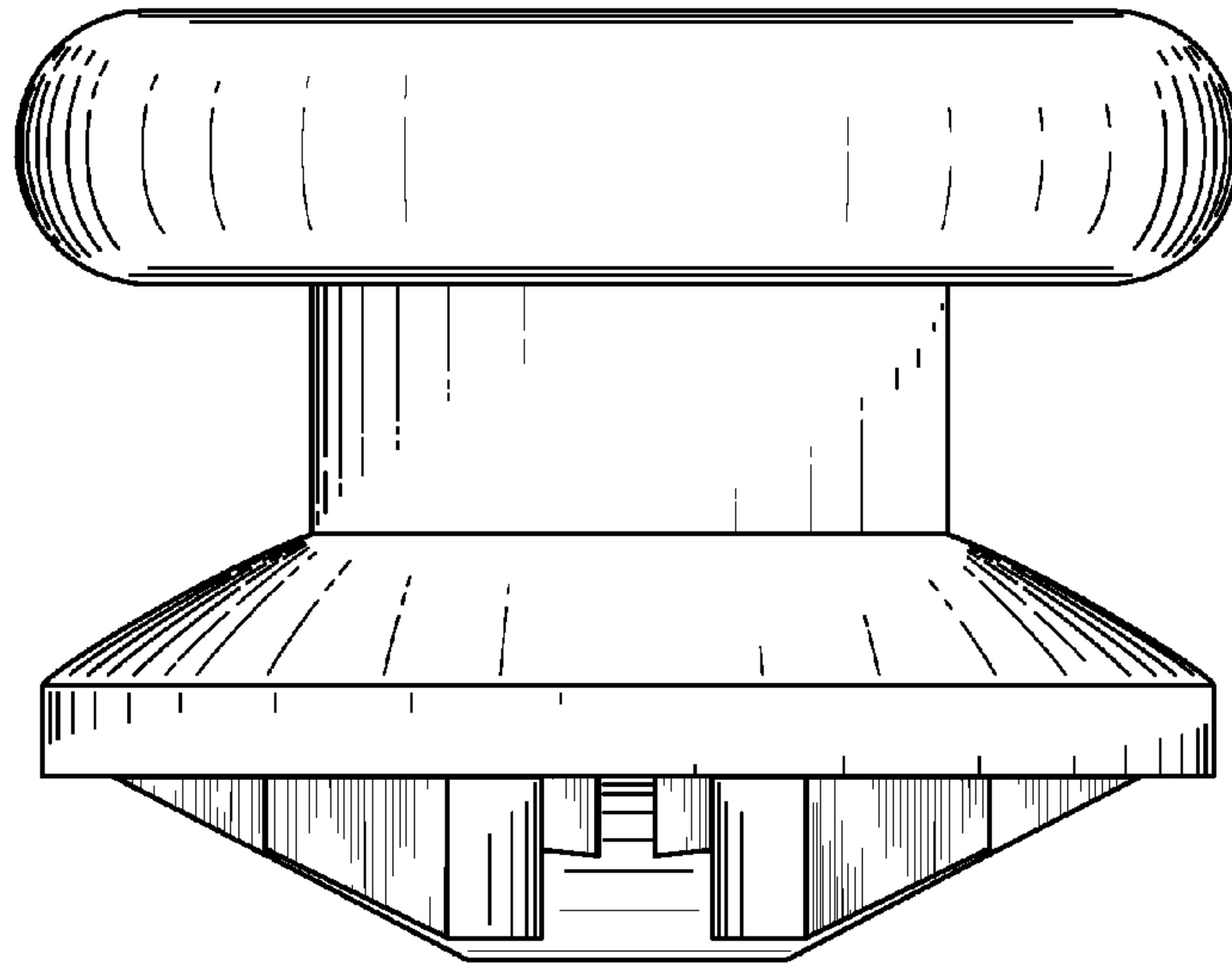


FIG. 3

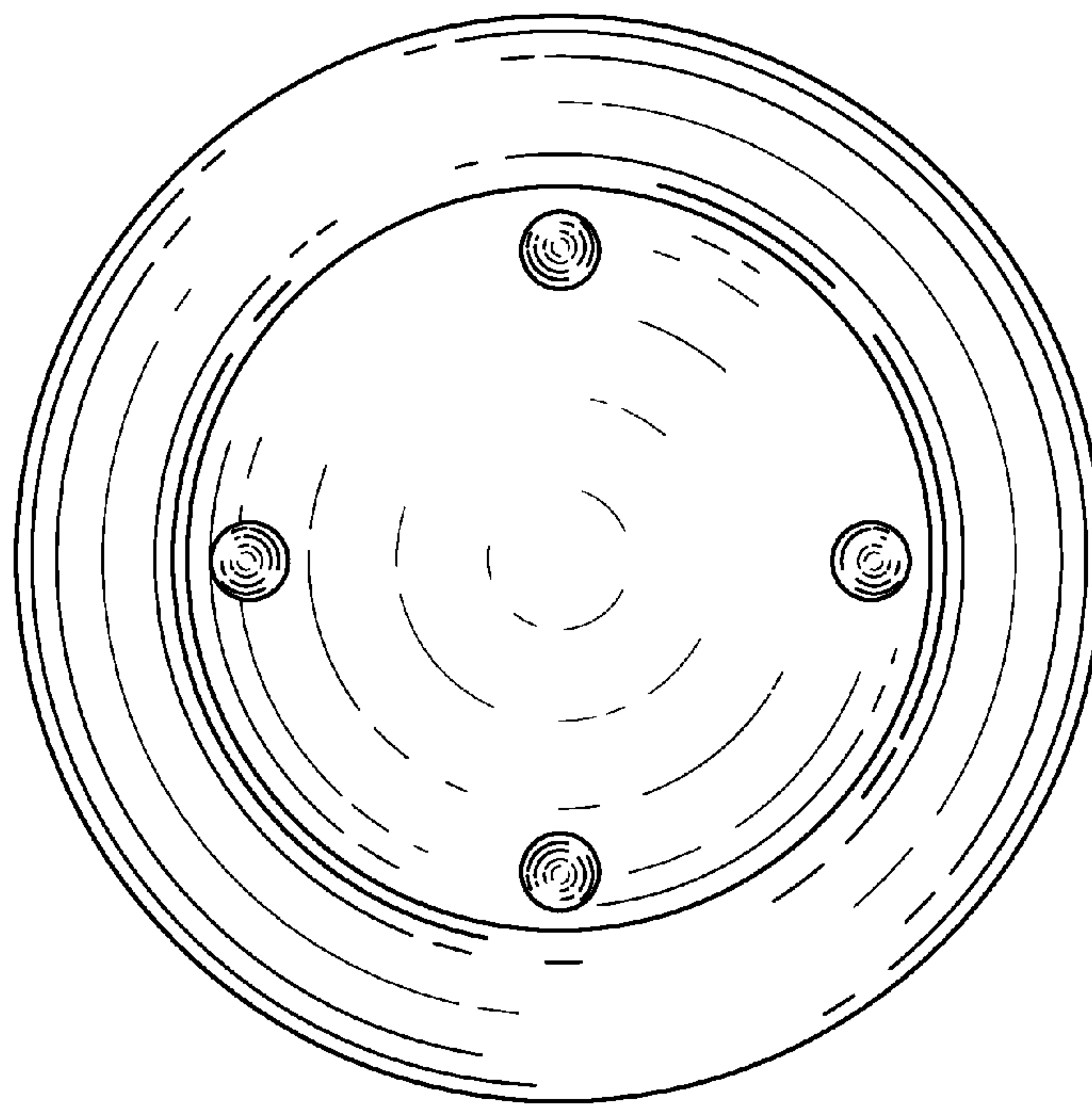


FIG. 4

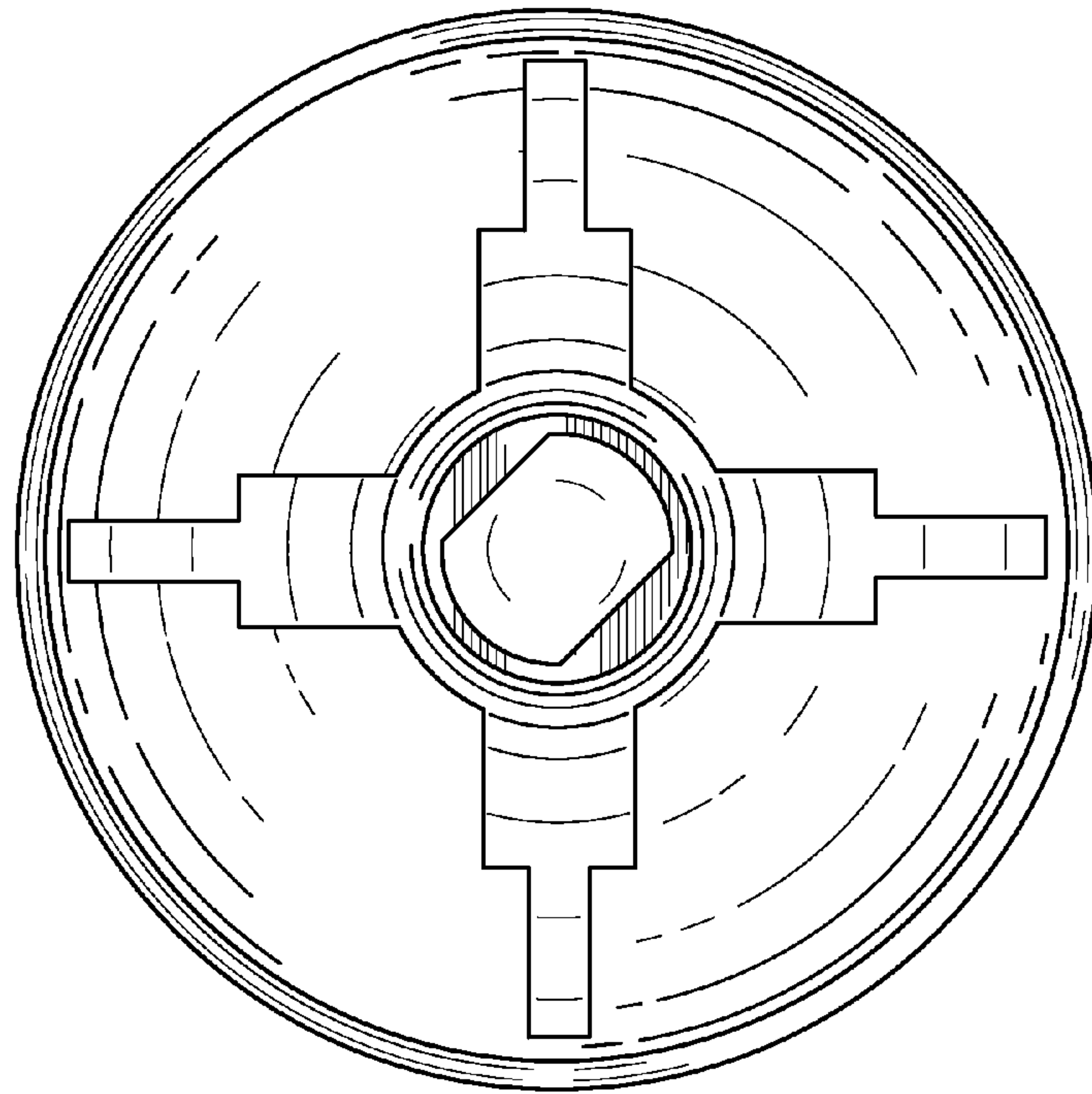


FIG. 5