



US00D678281S

(12) **United States Design Patent**
Yung

(10) **Patent No.:** **US D678,281 S**

(45) **Date of Patent:** **** Mar. 19, 2013**

(54) **GAME CONSOLE**

(75) Inventor: **Wai Lam Yung**, Hong Kong (HK)

(73) Assignee: **Ever Sparkle Technologies Ltd.**, Hong Kong (HK)

(**) Term: **14 Years**

(21) Appl. No.: **29/373,120**

(22) Filed: **Mar. 2, 2011**

(30) **Foreign Application Priority Data**

Oct. 21, 2010 (CN) 2010 3 0567069

(51) **LOC (9) Cl.** **14-03**

(52) **U.S. Cl.** **D14/401; D14/413; D21/332**

(58) **Field of Classification Search** D14/399-401,
D14/413-416, 432, 217, 454-457; D21/324,
D21/333, 329, 332; 273/148 B; 463/1, 29-47;
345/156-161, 905

See application file for complete search history.

(56) **References Cited**

U.S. PATENT DOCUMENTS

4,501,424	A *	2/1985	Stone et al.	273/148 B
4,530,504	A *	7/1985	Long, Jr.	273/148 B
5,581,277	A *	12/1996	Tajiri	345/163
5,643,087	A *	7/1997	Marcus et al.	463/38
5,645,277	A *	7/1997	Cheng	273/148 B
5,820,462	A *	10/1998	Yokoi et al.	463/37
6,033,309	A *	3/2000	Couch et al.	463/38
6,059,660	A *	5/2000	Takada et al.	463/38
D444,785	S *	7/2001	Whitehorn et al.	D14/412
6,624,806	B2 *	9/2003	Hsu	345/161
D537,822	S *	3/2007	Herkelman	D14/401
D553,578	S *	10/2007	Virtanen et al.	D13/162

D641,022 S * 7/2011 Dodo et al. D14/401

* cited by examiner

Primary Examiner — Prabhakar Deshmukh

(74) *Attorney, Agent, or Firm* — Richard B. Cates

(57) **CLAIM**

I claim the ornamental design for a game console, as shown and described.

DESCRIPTION

FIG. 1 is a perspective view of a game console showing my new design;

FIG. 2 is a top plan view of the base of the game console, shown separately for clarity;

FIG. 3 is a bottom plan view of FIG. 2;

FIG. 4 is a left side elevational view of FIG. 2;

FIG. 5 is a right side elevational view of FIG. 2;

FIG. 6 is a rear elevational view of FIG. 2;

FIG. 7 is a front elevational view of FIG. 2;

FIG. 8 is a front elevational view of one of the controllers for the game console, shown separately for clarity;

FIG. 9 is a rear elevational view of FIG. 8;

FIG. 10 is a left side elevational view of FIG. 8;

FIG. 11 is a right side elevational view of FIG. 8;

FIG. 12 is a top plan view of FIG. 8;

FIG. 13 is a bottom plan view of FIG. 8;

FIG. 14 is a front elevational view of another controller of the game console, shown separately for clarity;

FIG. 15 is a rear elevational view of FIG. 14;

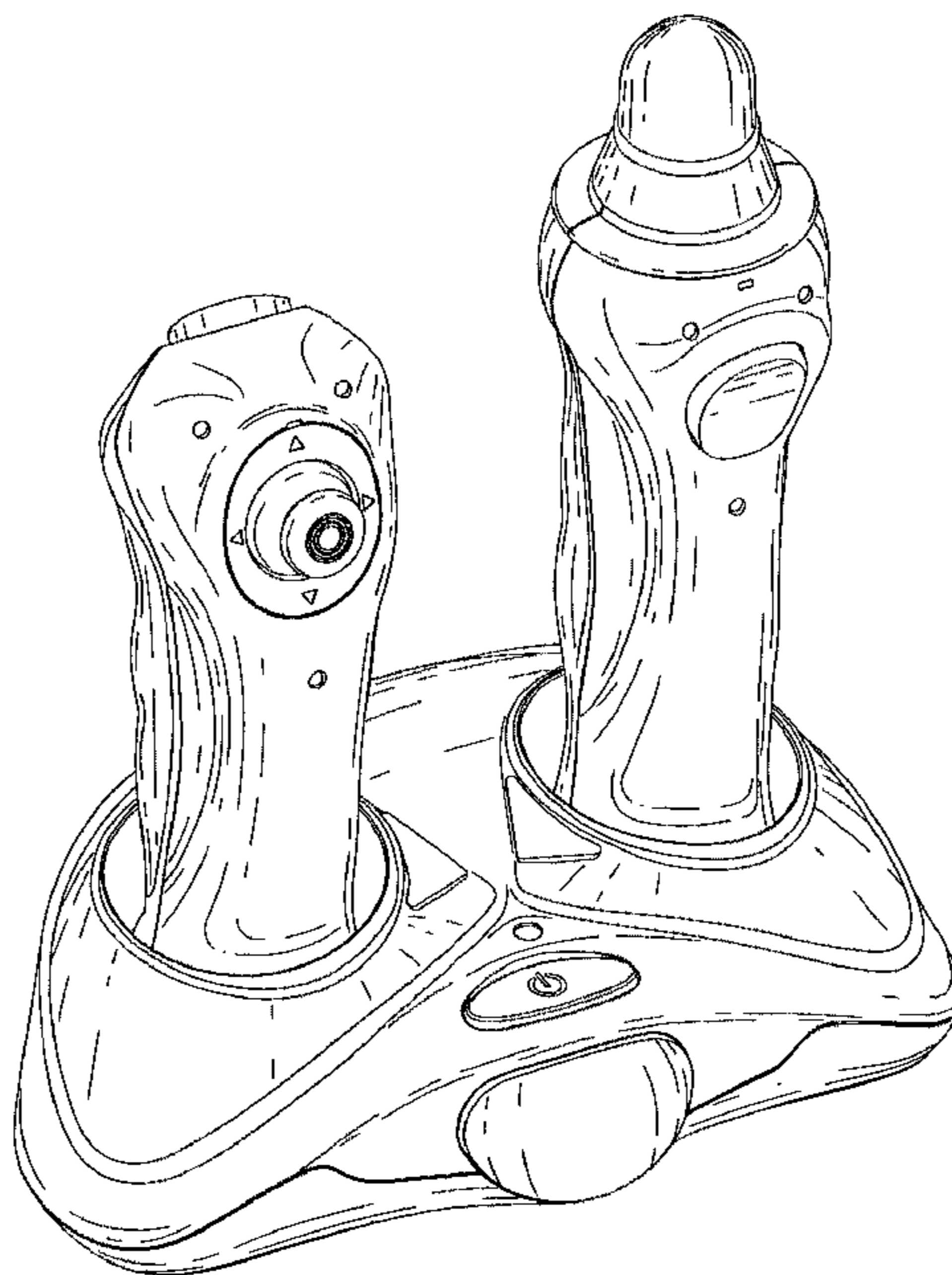
FIG. 16 is a left side elevational view of FIG. 14;

FIG. 17 is a right side elevational view of FIG. 14;

FIG. 18 is a top plan view of FIG. 14; and,

FIG. 19 is a bottom plan view of FIG. 14.

1 Claim, 7 Drawing Sheets



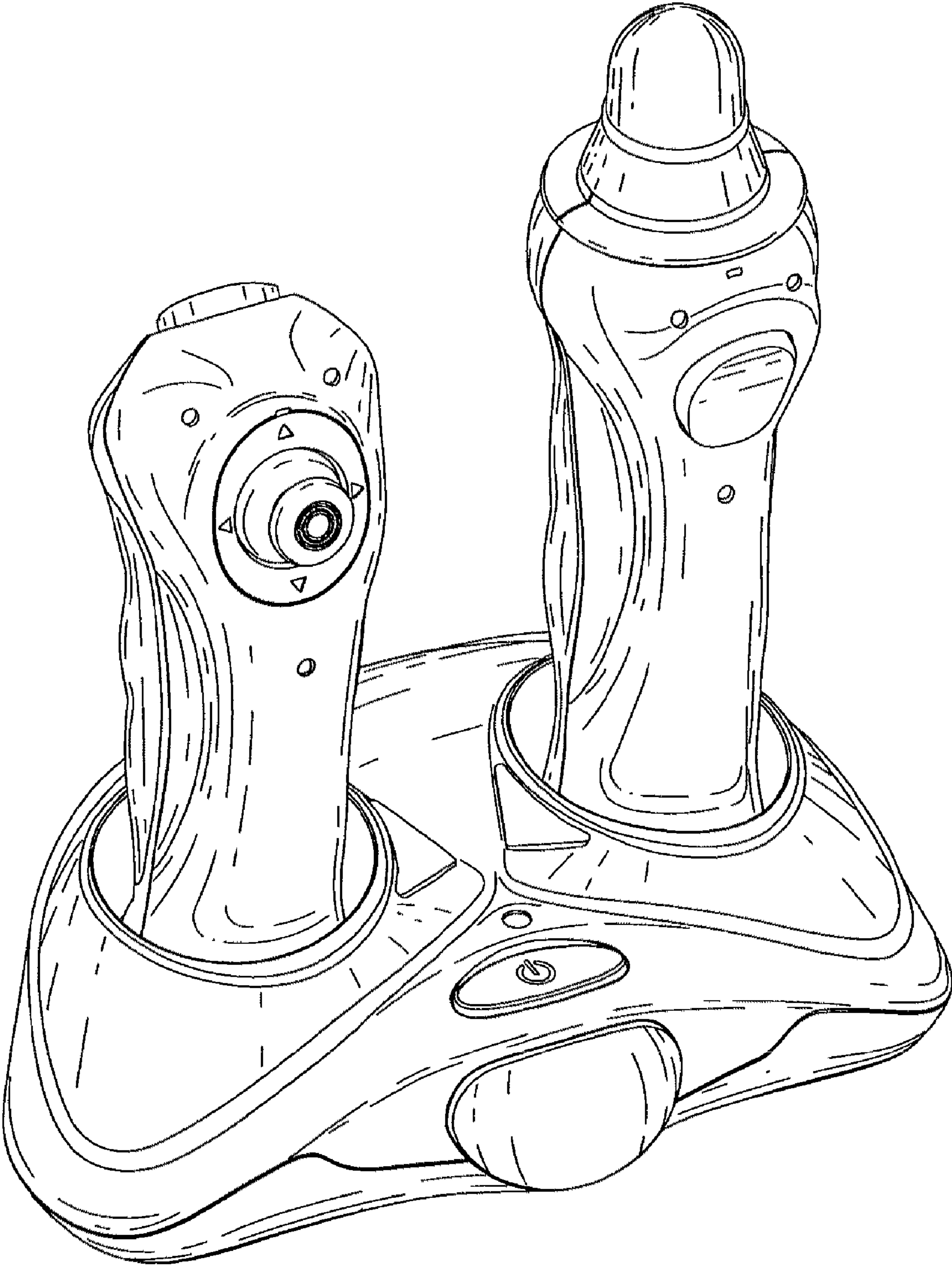


Fig. 1

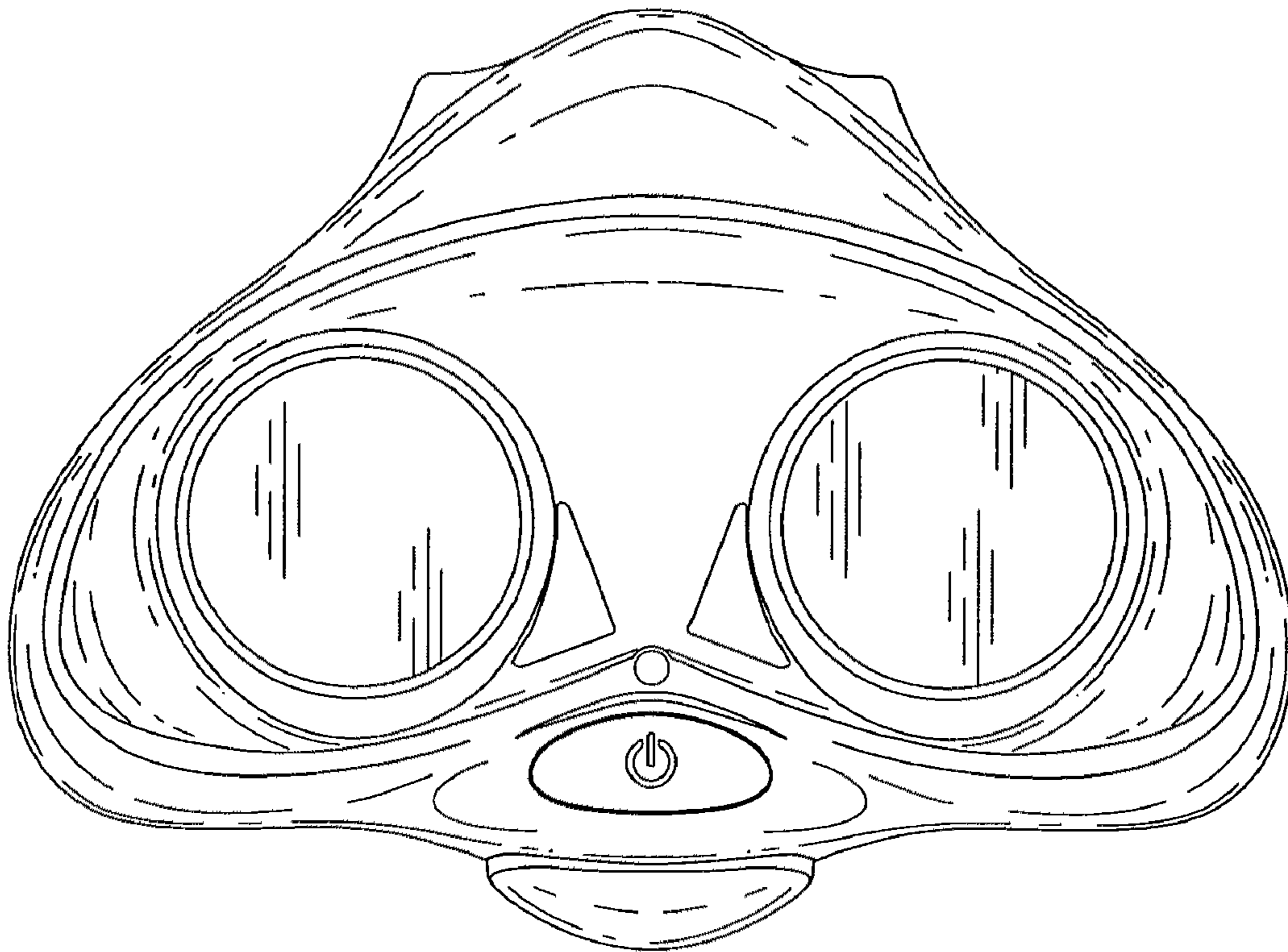


Fig. 2

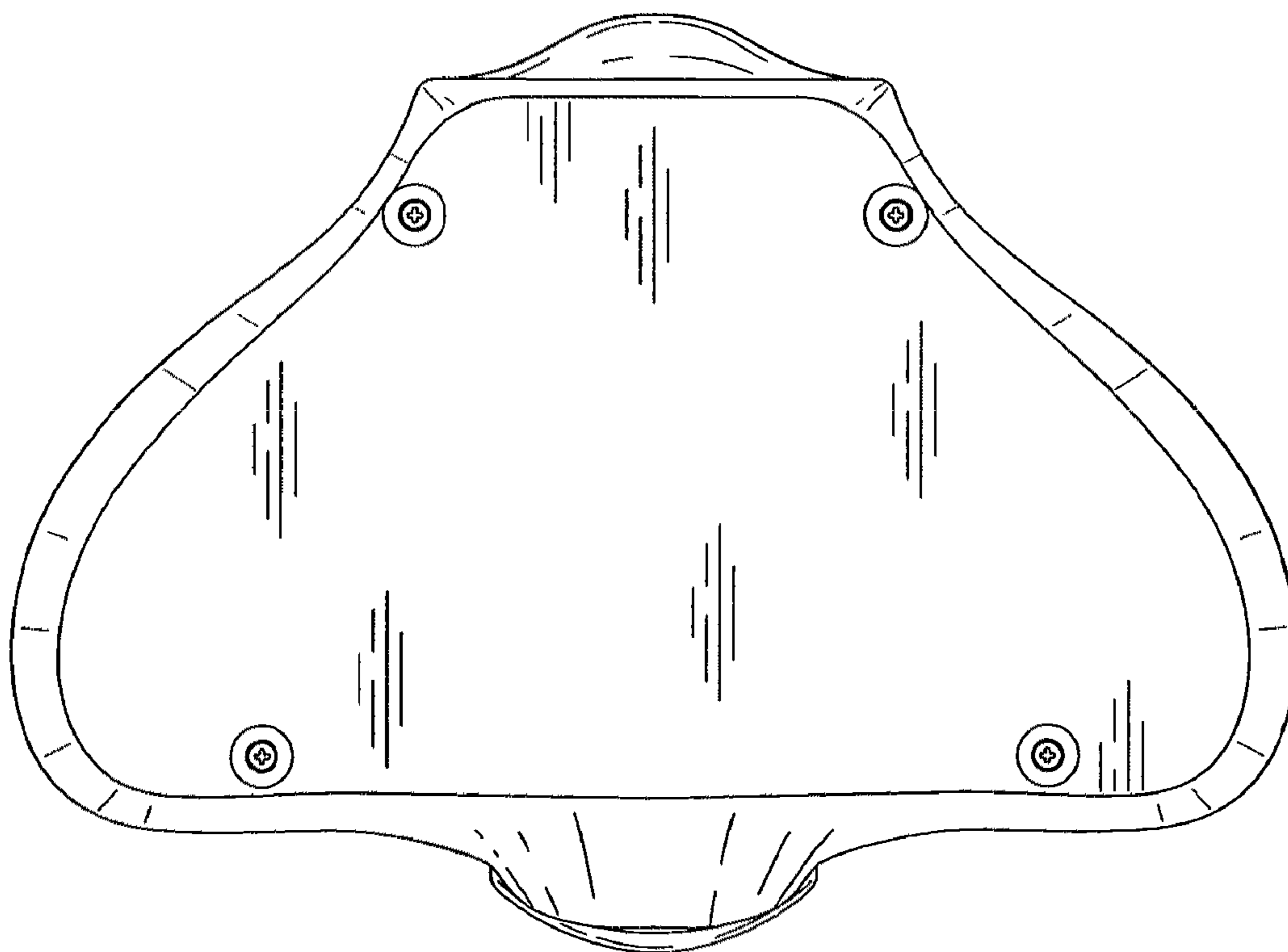


Fig. 3



Fig. 4



Fig. 5

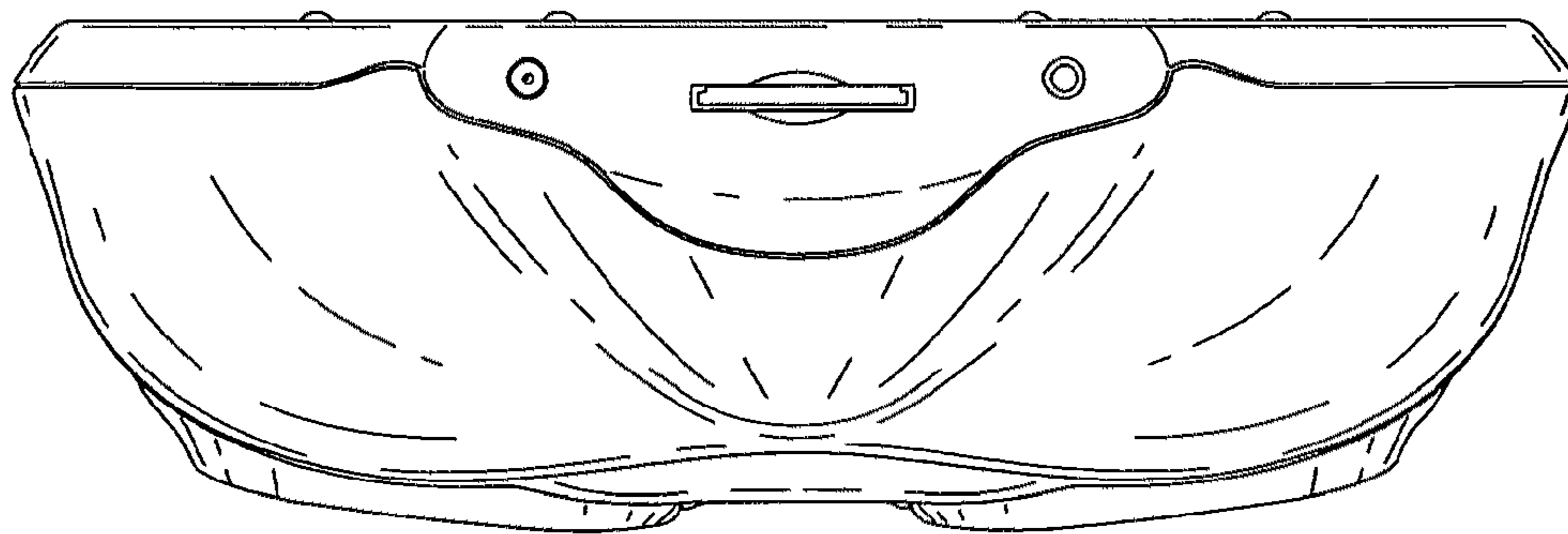


Fig. 6

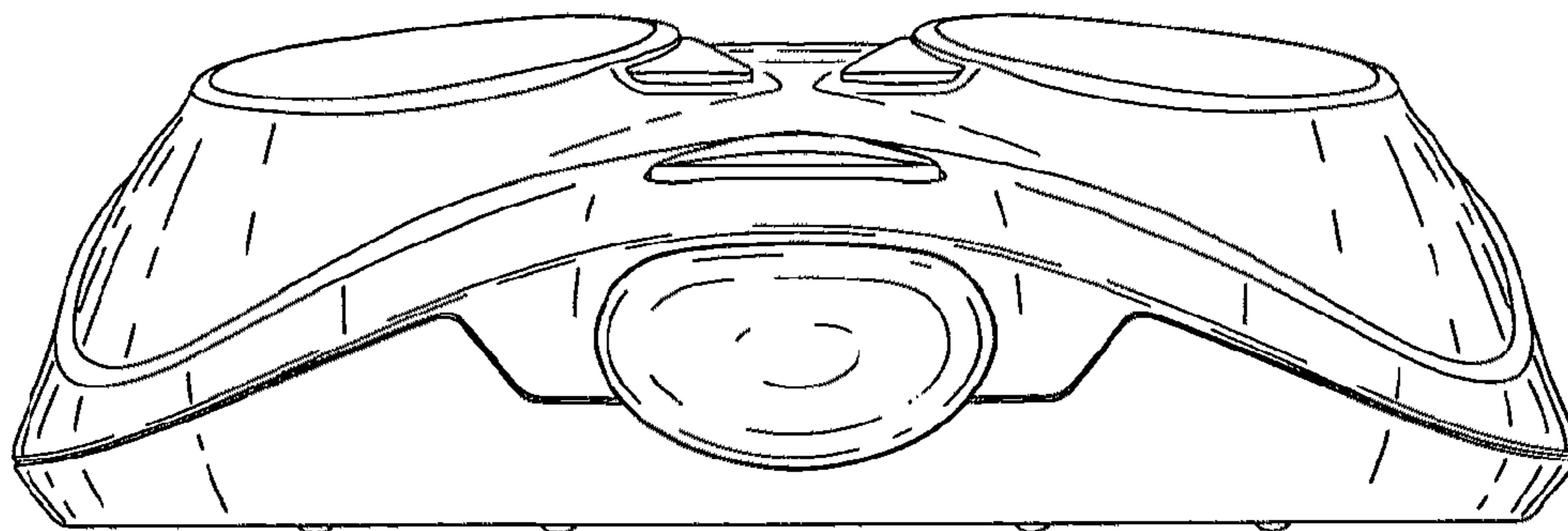


Fig. 7

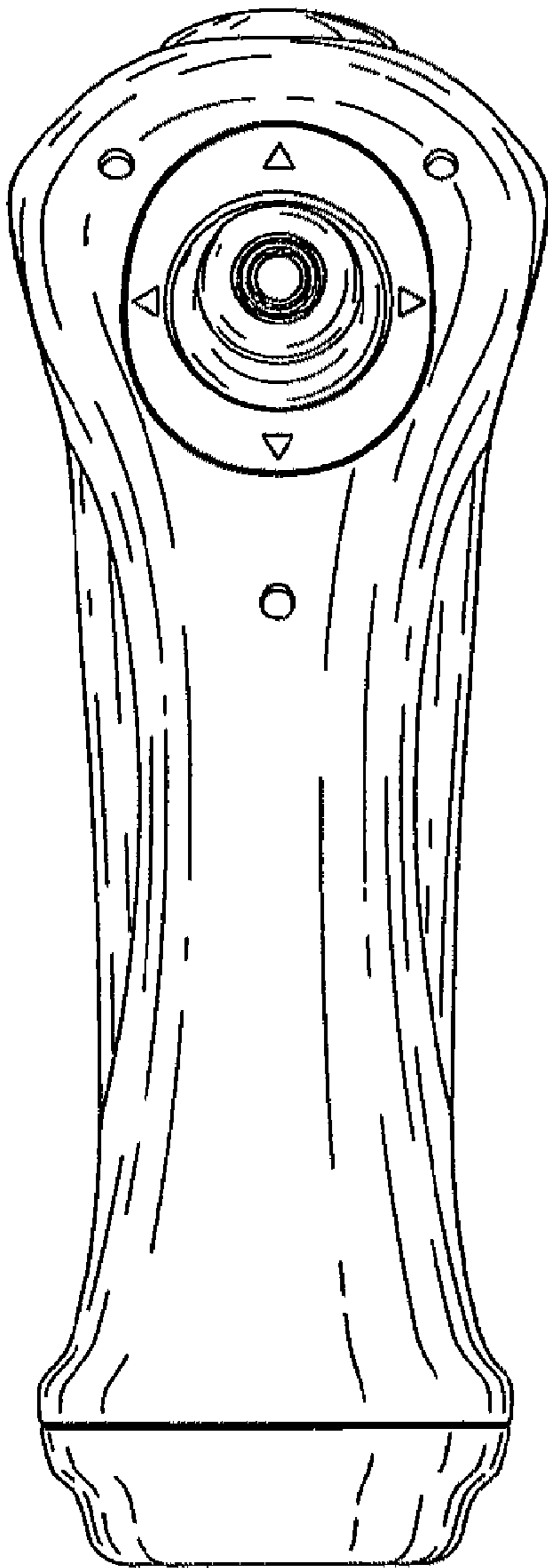


Fig. 8

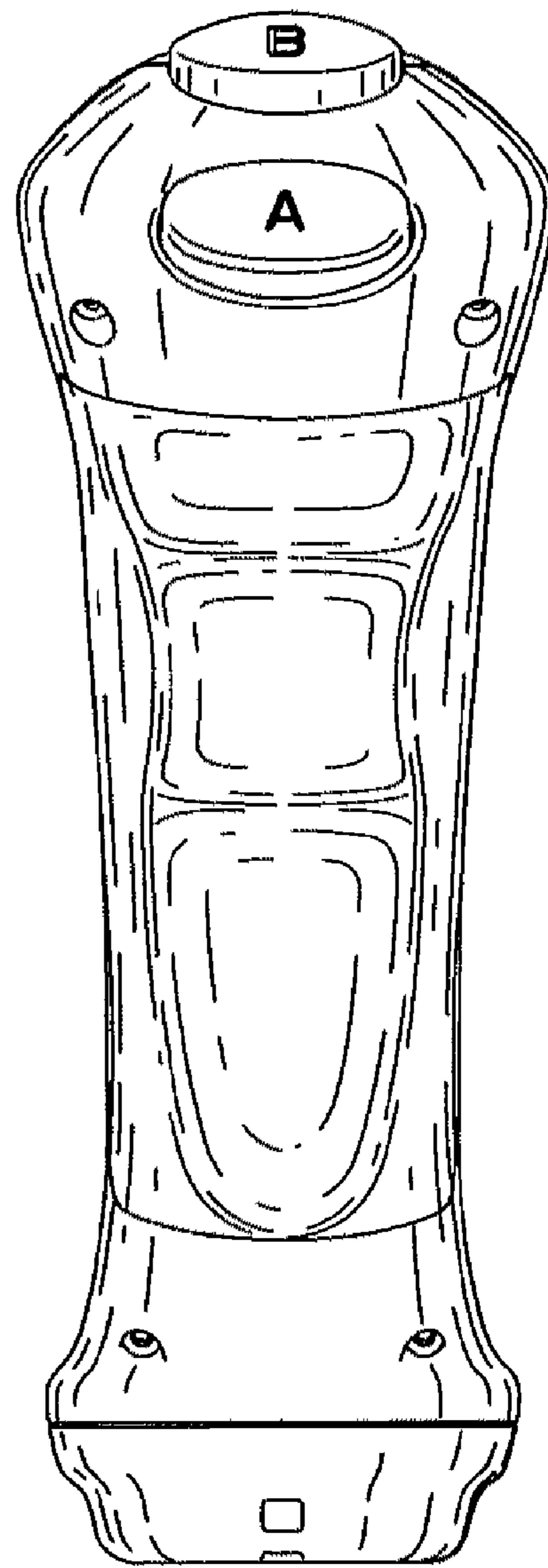


Fig. 9

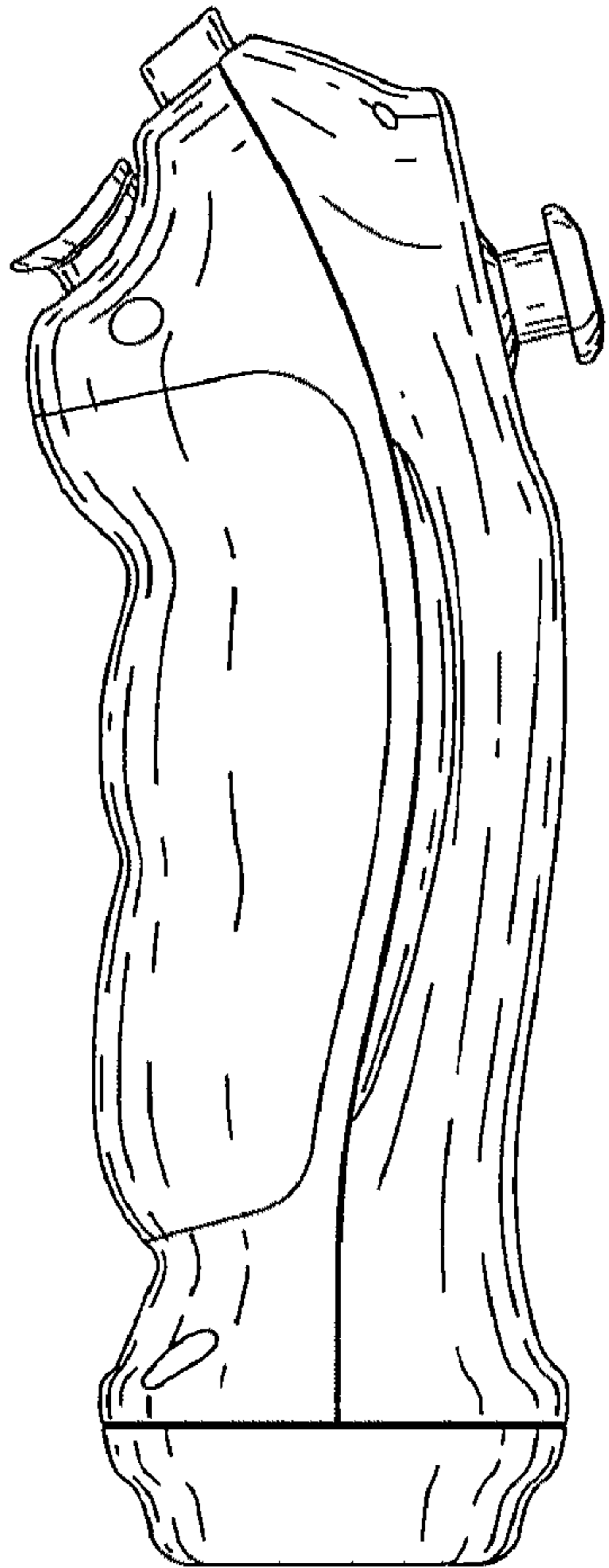


Fig. 10

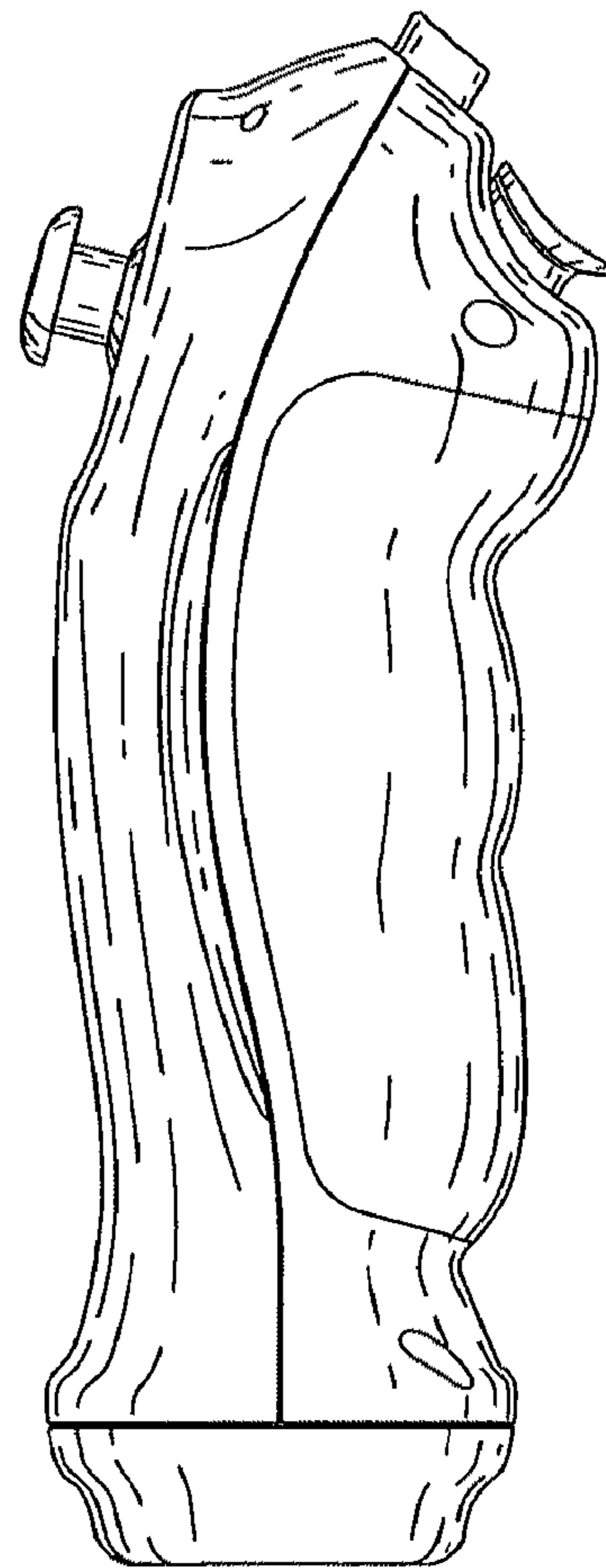


Fig. 11

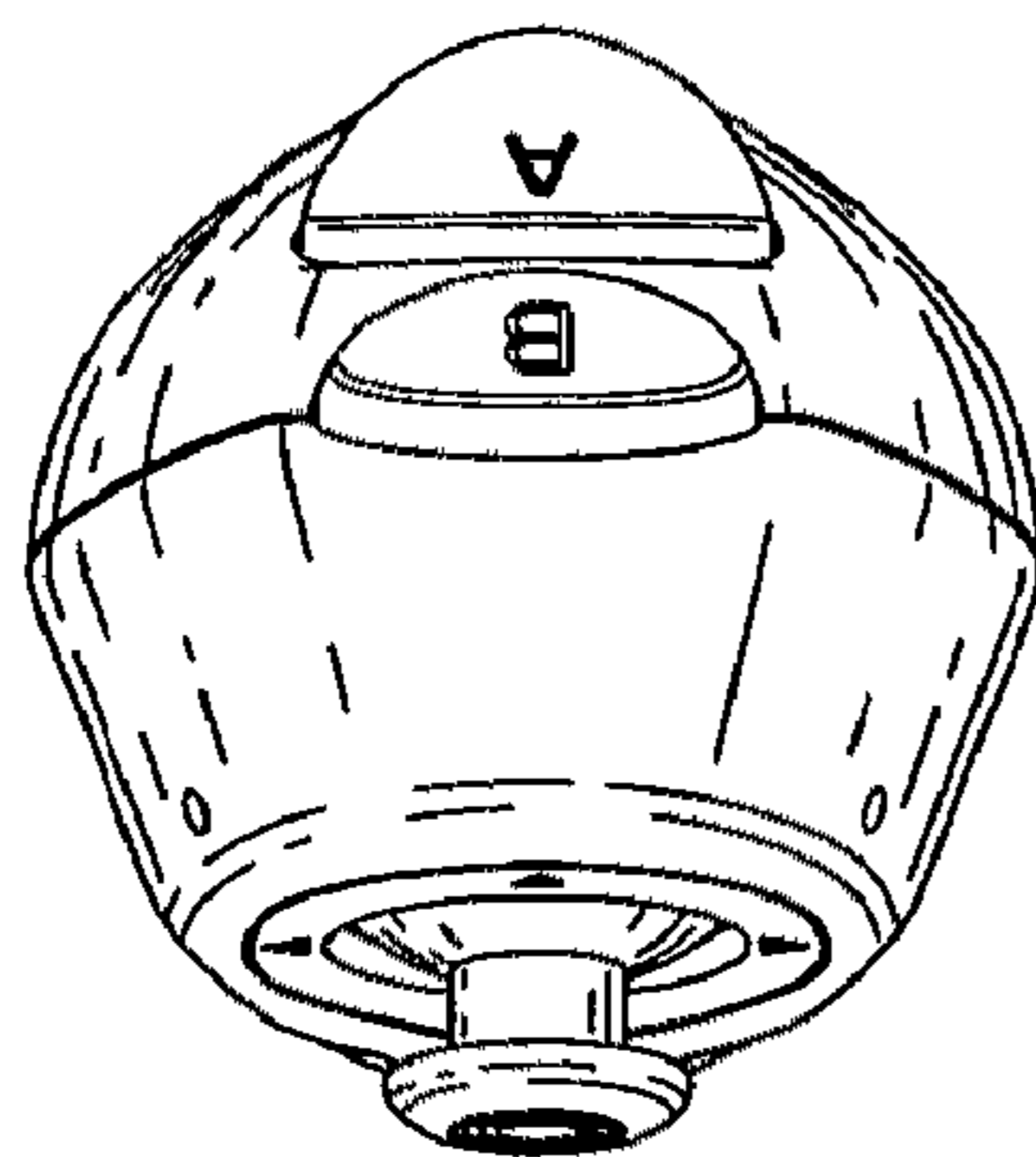


Fig. 12

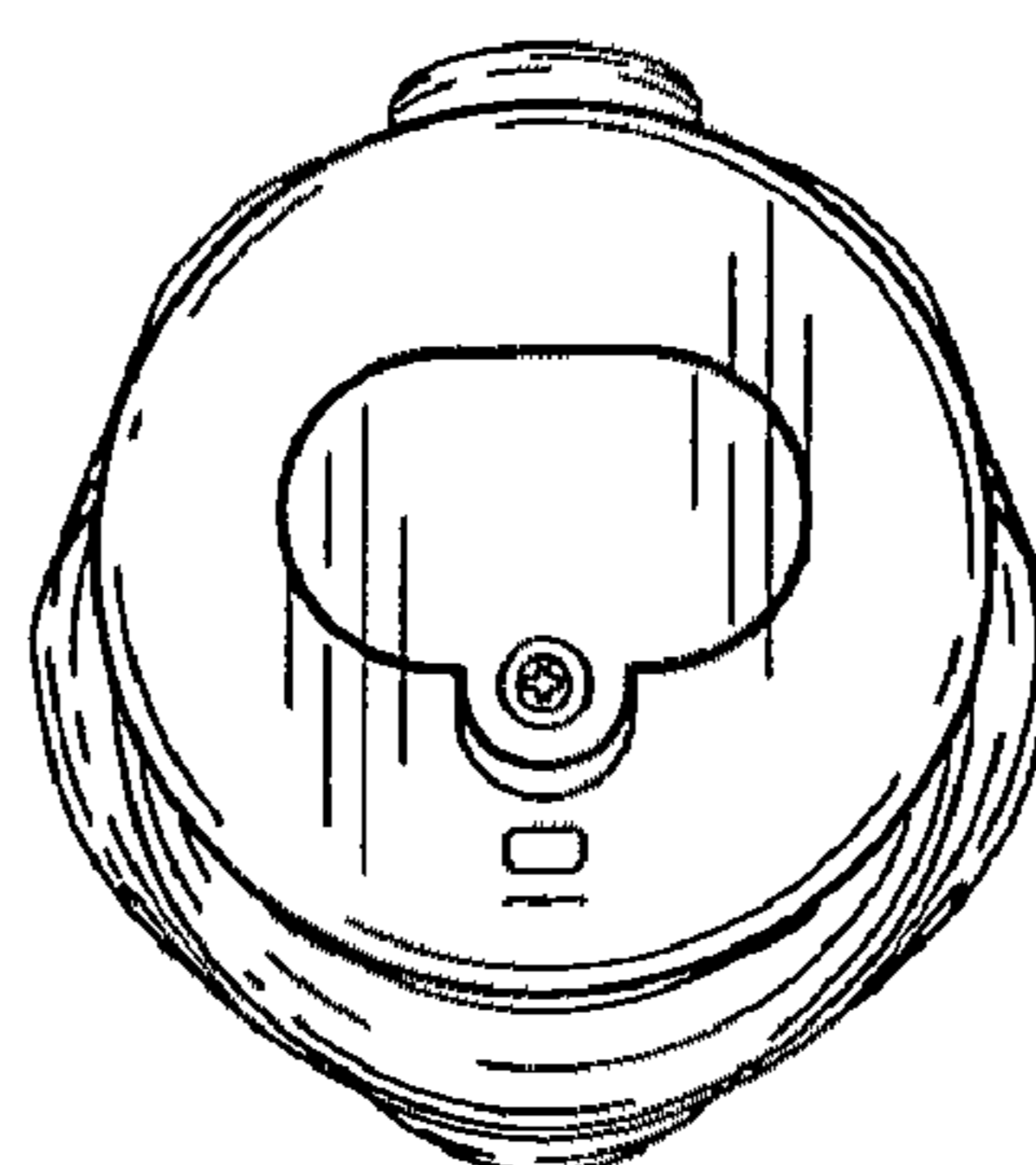


Fig. 13

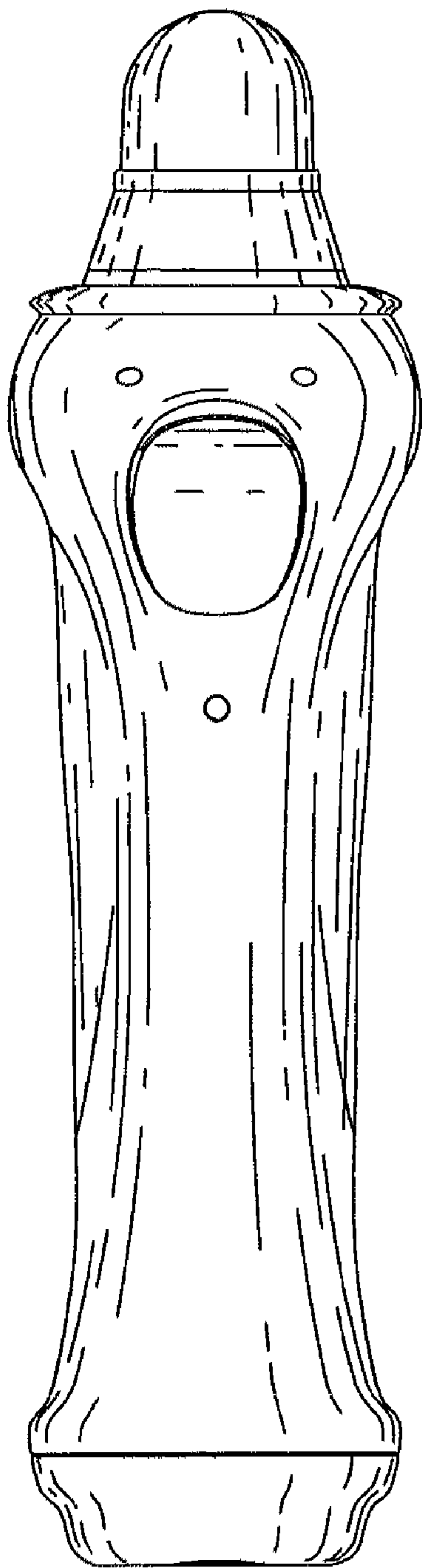


Fig. 14

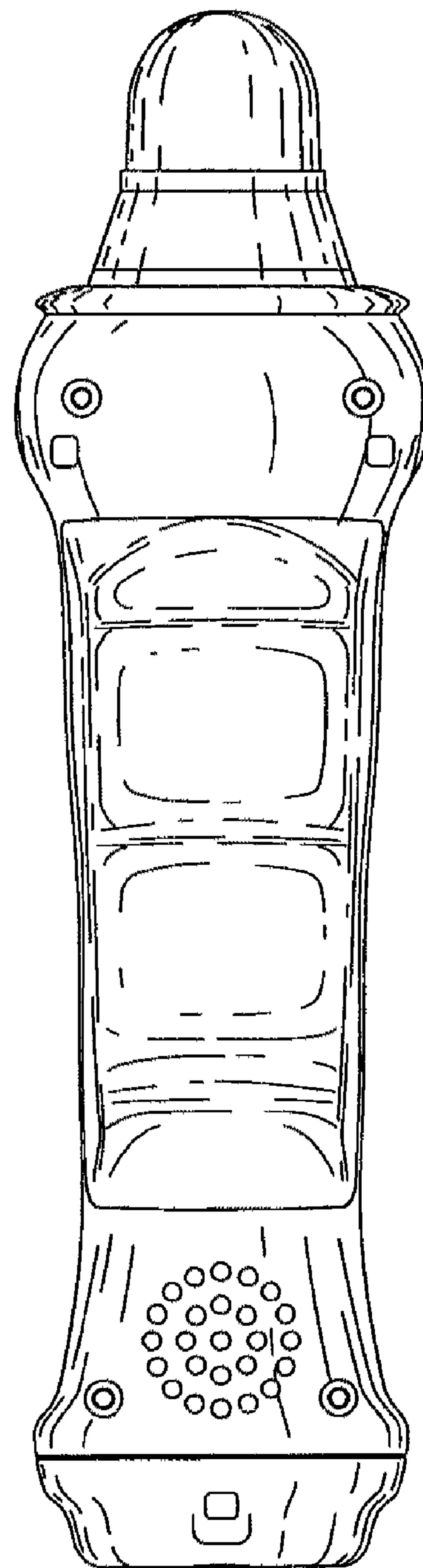


Fig. 15

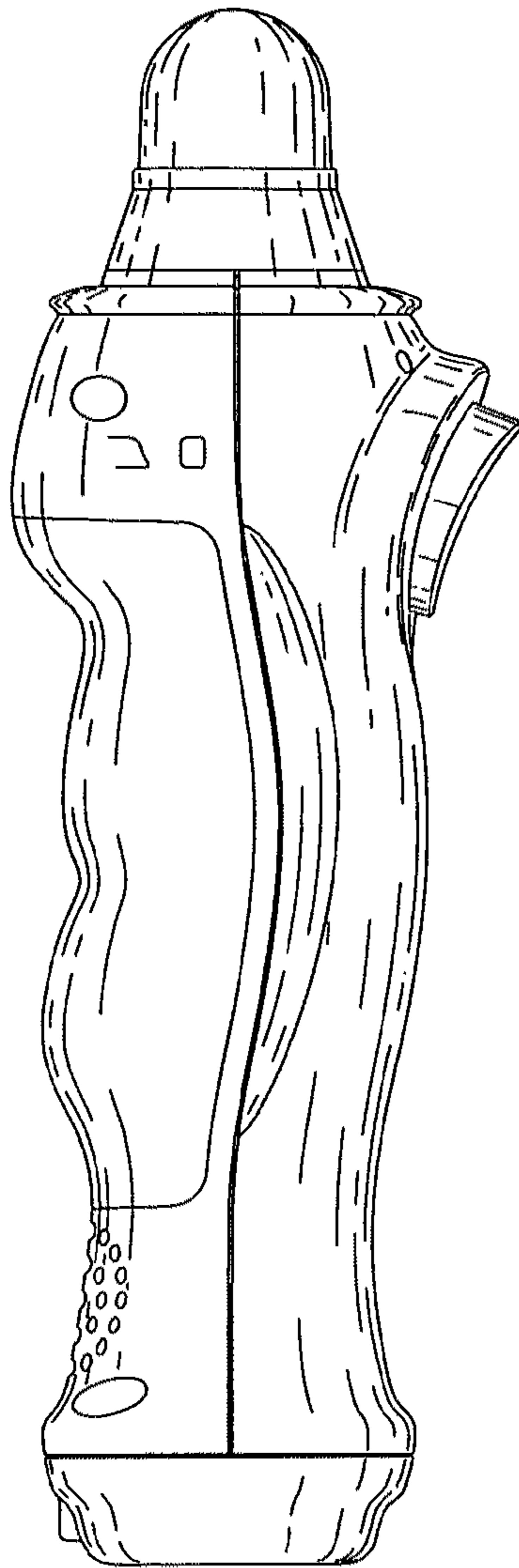


Fig. 16

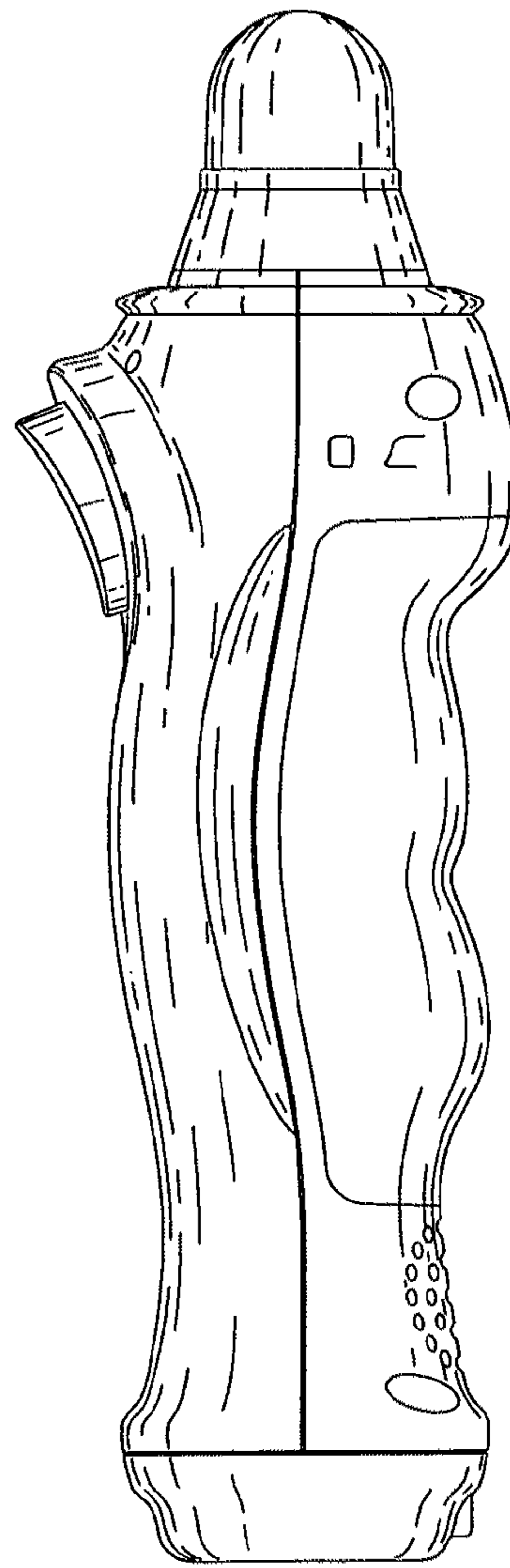


Fig. 17

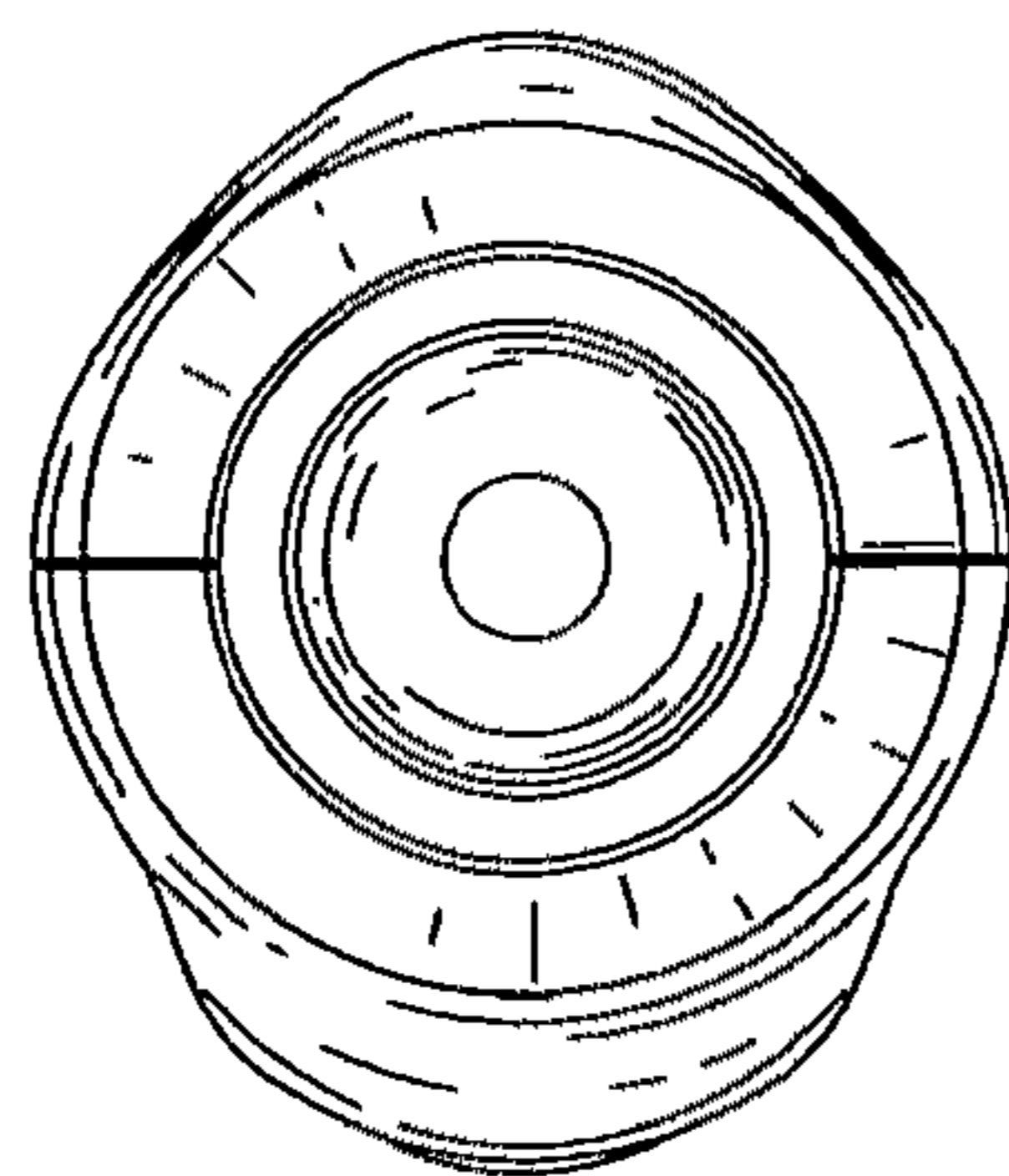


Fig. 18

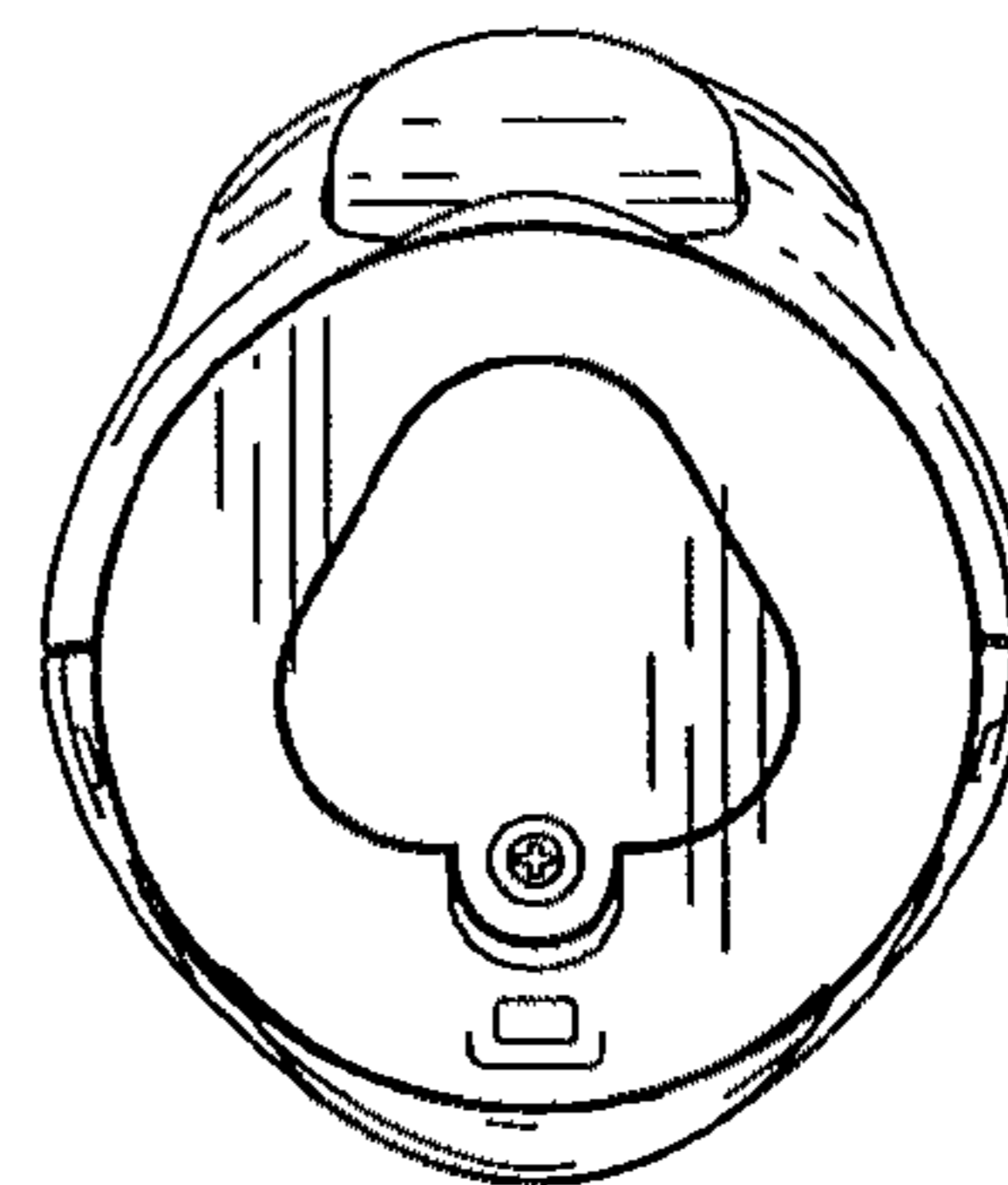


Fig. 19