



US00D678273S

(12) **United States Design Patent**  
**Kuehn et al.**

(10) **Patent No.:** **US D678,273 S**  
(45) **Date of Patent:** **\*\* Mar. 19, 2013**

(54) **HARD DRIVE CARRIER**

(56) **References Cited**

(75) Inventors: **Keith J. Kuehn**, Magnolia, TX (US);  
**Brooks Vaughan**, Tomball, TX (US)

(73) Assignee: **Hewlett-Packard Development**  
**Company, L.P.**, Houston, TX (US)

(\*\*) Term: **14 Years**

(21) Appl. No.: **29/404,733**

(22) Filed: **Oct. 25, 2011**

(51) **LOC (9) Cl.** ..... **14-02**

(52) **U.S. Cl.** ..... **D14/348; D14/441**

(58) **Field of Classification Search** ..... D14/240,  
D14/300, 301, 308, 313, 349-356, 364-368,  
D14/441-446; D13/162, 184, 199;  
312/223.1-223.3, 351.11; 360/99.01-99.12;  
369/34.01-36.01; 361/679.31-679.33, 679.37,  
361/679.39, 679.46, 679.53, 679.4

See application file for complete search history.

U.S. PATENT DOCUMENTS

6,565,163	B2 *	5/2003	Behl et al. ....	312/223.1
D543,543	S *	5/2007	Ng et al. ....	D14/356
D593,101	S *	5/2009	Alfonso et al. ....	D14/444
D593,563	S *	6/2009	Alfonso et al. ....	D14/444
D593,565	S *	6/2009	Dearborn et al. ....	D14/445
D632,689	S *	2/2011	Busri et al. ....	D14/356
2007/0236897	A1 *	10/2007	Chen ....	361/752
2009/0243445	A1 *	10/2009	Vaughan et al. ....	312/223.1

\* cited by examiner

*Primary Examiner* — Freda S Nunn

(57) **CLAIM**

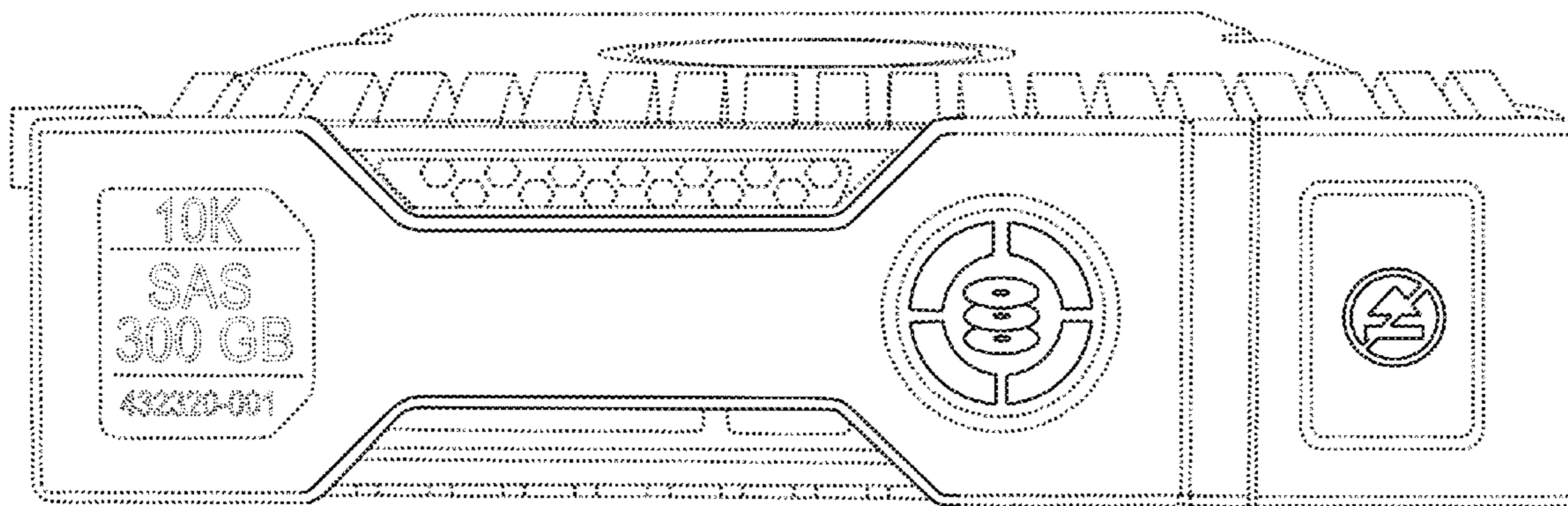
The ornamental design for a hard drive carrier, as shown and described.

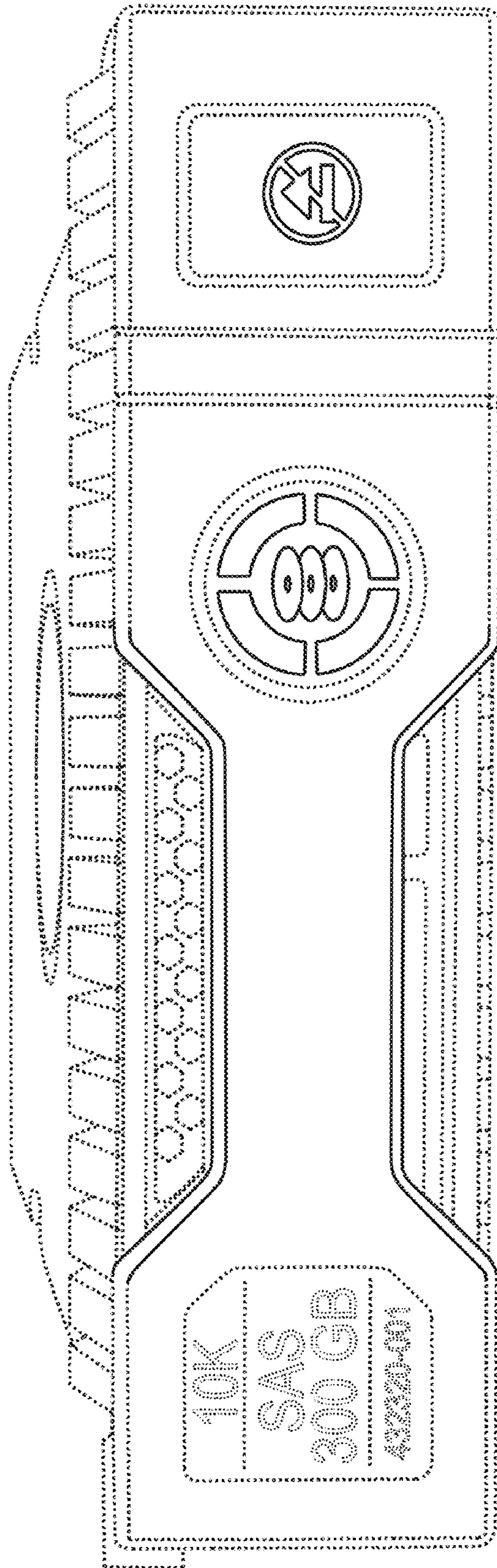
**DESCRIPTION**

FIG. 1 is a front perspective view of a hard drive carrier; and, FIG. 2 is another front perspective view thereof at a higher angle.

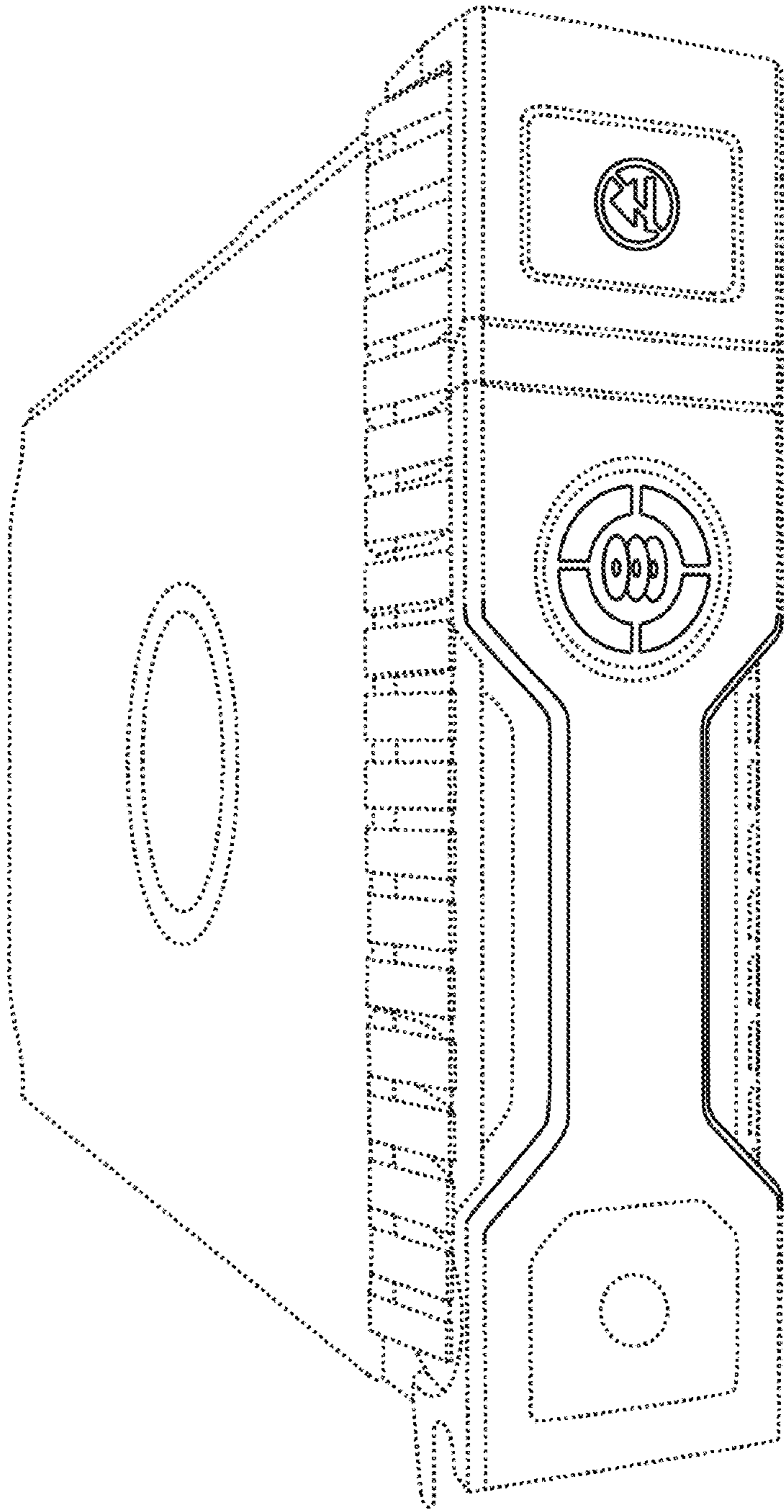
The broken lines showing of various regions and the unshaded areas therein are for the purpose of illustrating the article and form no part of the claimed design.

**1 Claim, 2 Drawing Sheets**





100  
FIG. 1



200  
FIG. 2