



US00D678270S

(12) **United States Design Patent**
Song et al.

(10) **Patent No.:** **US D678,270 S**
(45) **Date of Patent:** **** Mar. 19, 2013**

(54) **TABLET COMPUTER**

(75) Inventors: **Han-Gil Song**, Seoul (KR);
Jung-Hyuck Im, Yongin-si (KR);
Min-Hyook Lee, Seoul (KR)

(73) Assignee: **Samsung Electronics Co., Ltd.** (KR)

(**) Term: **14 Years**

(21) Appl. No.: **29/402,279**

(22) Filed: **Sep. 22, 2011**

(30) **Foreign Application Priority Data**

Jul. 26, 2011 (KR) 30-2011-0031144

(51) **LOC (9) Cl.** **04-02**

(52) **U.S. Cl.** **D14/341**

(58) **Field of Classification Search** D14/341-347,
D14/137, 138, 138.1, 138 A, 138 AA, 138 R,
D14/138 AB, 138 AC, 138 AD, 138 C, 138 G,
D14/496, 203.1, 203.3, 203.4, 203.5, 203.7,
D14/426, 427, 432, 429, 129, 130, 420, 439-441,
D14/448, 125, 126, 147, 156, 218, 247-248,
D14/250, 389, 388, 315-318; D10/65, 104;
D18/6-7; D19/26, 59, 60; 455/556.1, 556.2,
455/566, 575.1, 90.3; 379/433.04, 433.01,
379/433.06, 916; 345/169, 173, 901, 905;
361/679.26, 679.27, 679.3, 679.55, 679.56

See application file for complete search history.

(56) **References Cited**

U.S. PATENT DOCUMENTS

D333,574 S *	3/1993	Ackeret	D6/300
D487,272 S *	3/2004	Korpai	D14/448
D504,889 S *	5/2005	Andre et al.	D14/341
D514,590 S *	2/2006	Naruki	D14/203.3
D560,231 S *	1/2008	Lee	D14/496
D580,431 S *	11/2008	Morita	D14/341
D617,793 S *	6/2010	Chiang et al.	D14/341
D627,777 S *	11/2010	Akana et al.	D14/341
D635,784 S *	4/2011	Li et al.	D6/308
D636,391 S *	4/2011	Shen et al.	D14/341
D636,769 S *	4/2011	Wood et al.	D14/341

D636,770 S *	4/2011	Li	D14/341
D637,596 S *	5/2011	Akana et al.	D14/341
D641,018 S *	7/2011	Lee et al.	D14/341
D645,465 S *	9/2011	Lin et al.	D14/341
D645,833 S *	9/2011	Seflic et al.	D14/138 G
D646,902 S *	10/2011	Woo et al.	D6/308
D654,073 S *	2/2012	Li	D14/341
D654,074 S *	2/2012	Wood et al.	D14/341
D661,692 S *	6/2012	Sanlerville	D14/240
D663,281 S *	7/2012	Hwang	D14/138 G
D663,298 S *	7/2012	Song et al.	D14/341
D664,954 S *	8/2012	Kim et al.	D14/341
D666,198 S *	8/2012	Van Den Nieuwenhuizen	D14/341
D667,006 S *	9/2012	Van Den Nieuwenhuizen	D14/341
D667,396 S *	9/2012	Koh	D14/341
D667,397 S *	9/2012	Koh	D14/341
D667,398 S *	9/2012	Koh	D14/341
D667,399 S *	9/2012	Koh	D14/341
D667,400 S *	9/2012	Van Den Nieuwenhuizen	D14/341
D667,825 S *	9/2012	Jung	D14/341
D668,650 S *	10/2012	Han	D14/341
D668,651 S *	10/2012	Kim et al.	D14/341
D669,468 S *	10/2012	Akana et al.	D14/341
D669,469 S *	10/2012	Kang	D14/341
D669,470 S *	10/2012	Zha et al.	D14/341

* cited by examiner

Primary Examiner — Barbara Fox

(74) *Attorney, Agent, or Firm* — Cantor Colburn LLP

(57) **CLAIM**

The ornamental design for a tablet computer, as shown and described.

DESCRIPTION

FIG. 1 is a front perspective view of tablet computer, showing our new design;
FIG. 2 is a front elevational view thereof;
FIG. 3 is a rear elevational view thereof;
FIG. 4 is a left side elevational view thereof;
FIG. 5 is a right side elevational view thereof;
FIG. 6 is a top plan view thereof; and,
FIG. 7 is a bottom plan view thereof.

1 Claim, 7 Drawing Sheets

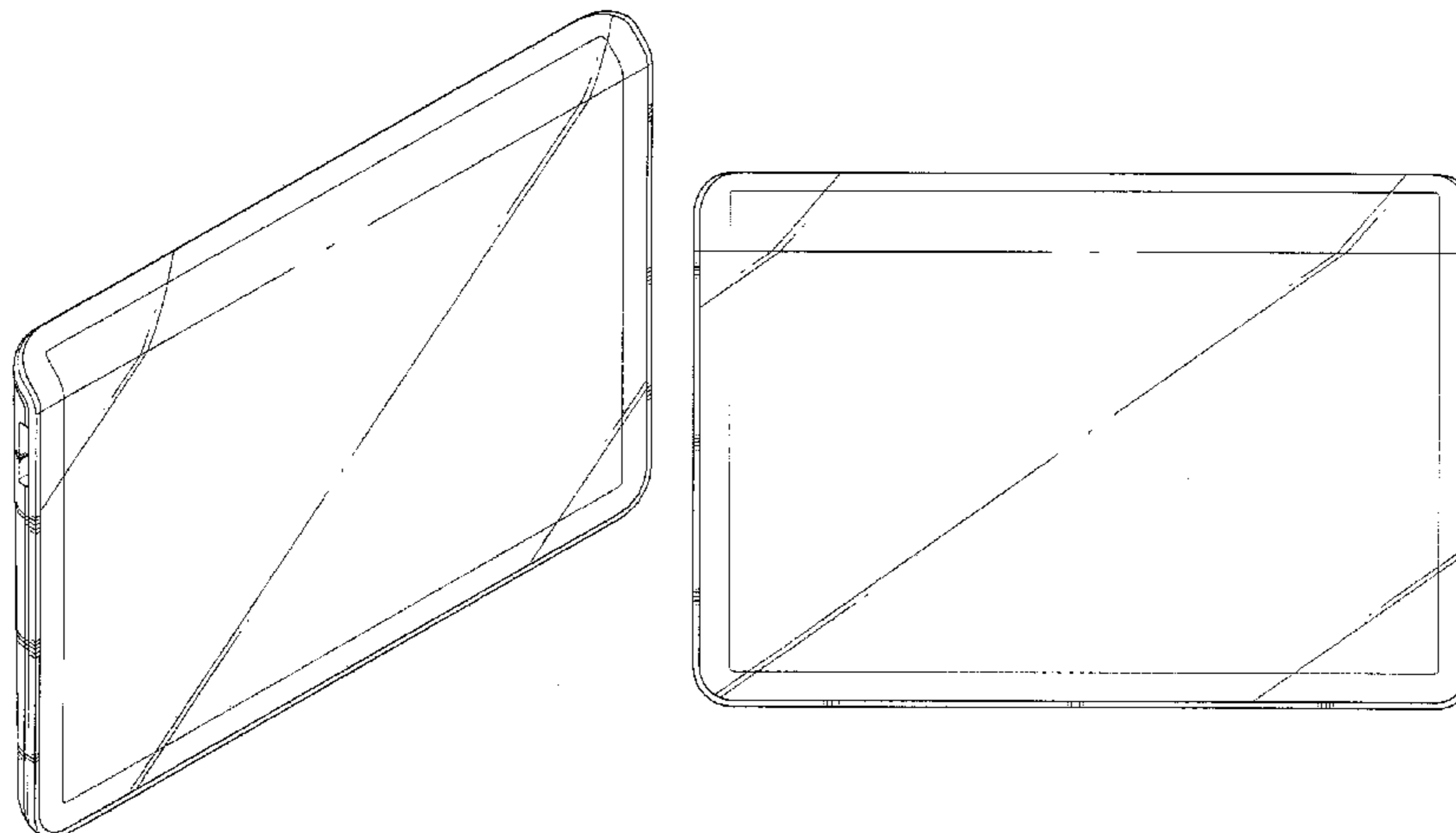


FIG. 1

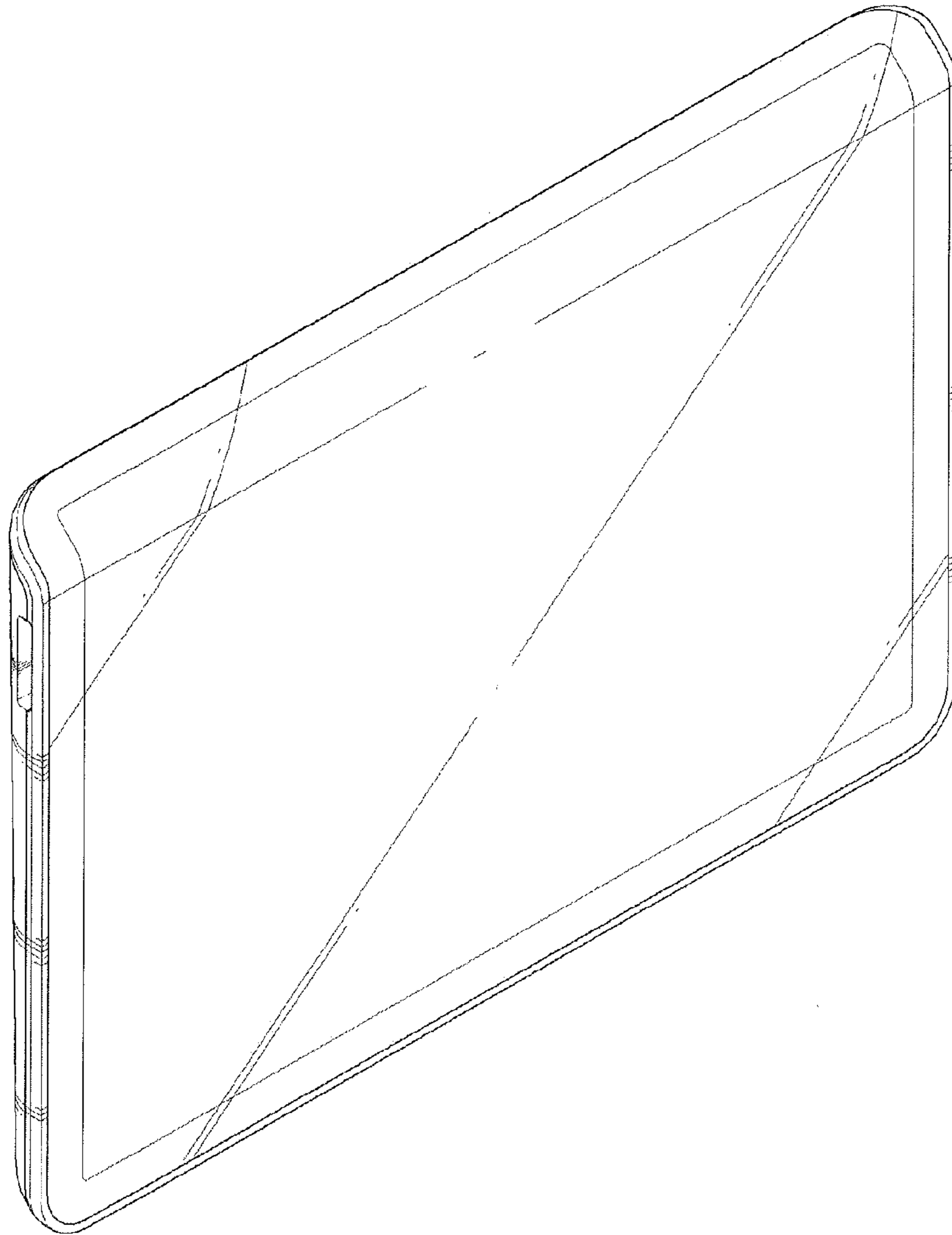


FIG. 2

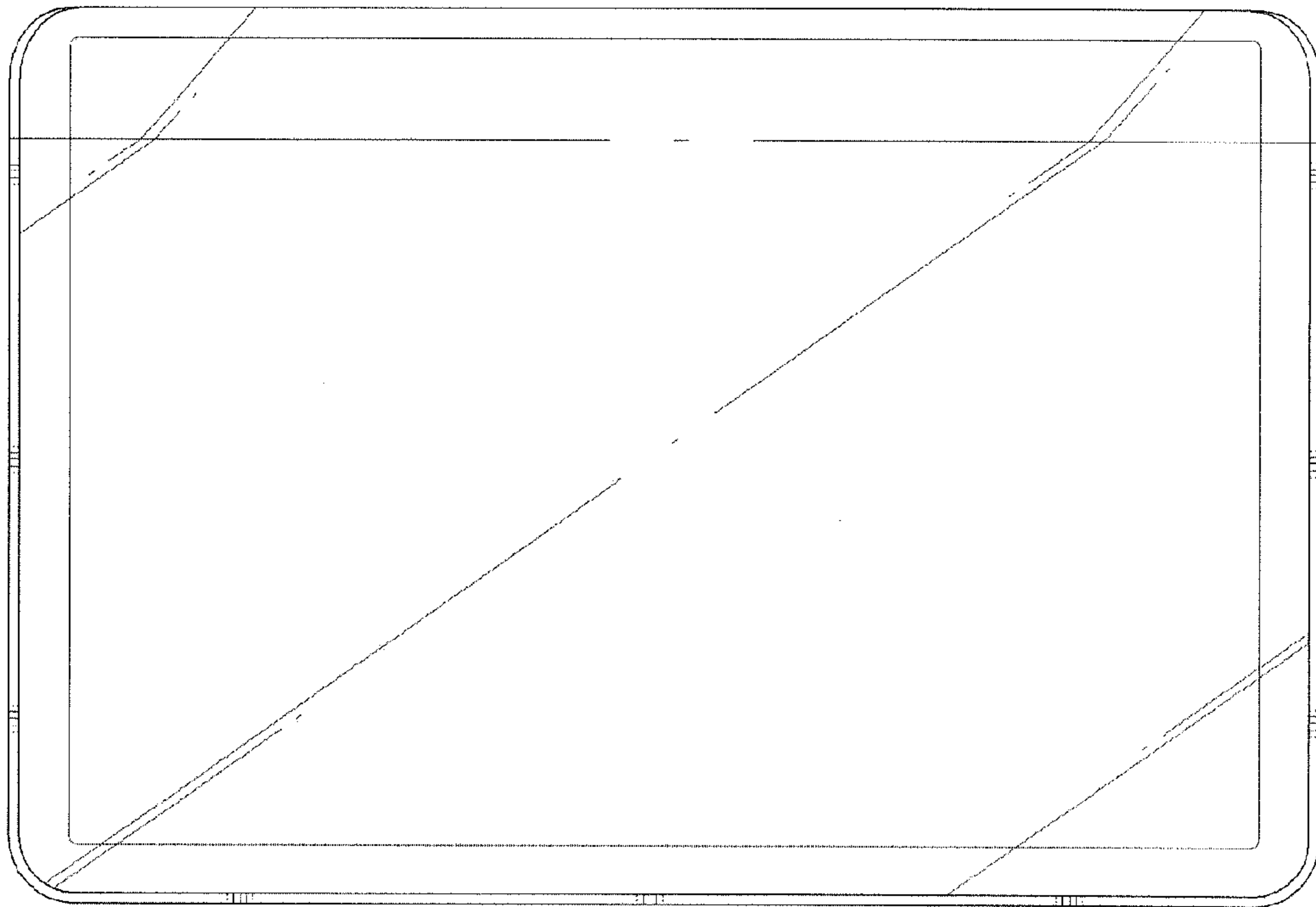


FIG. 3

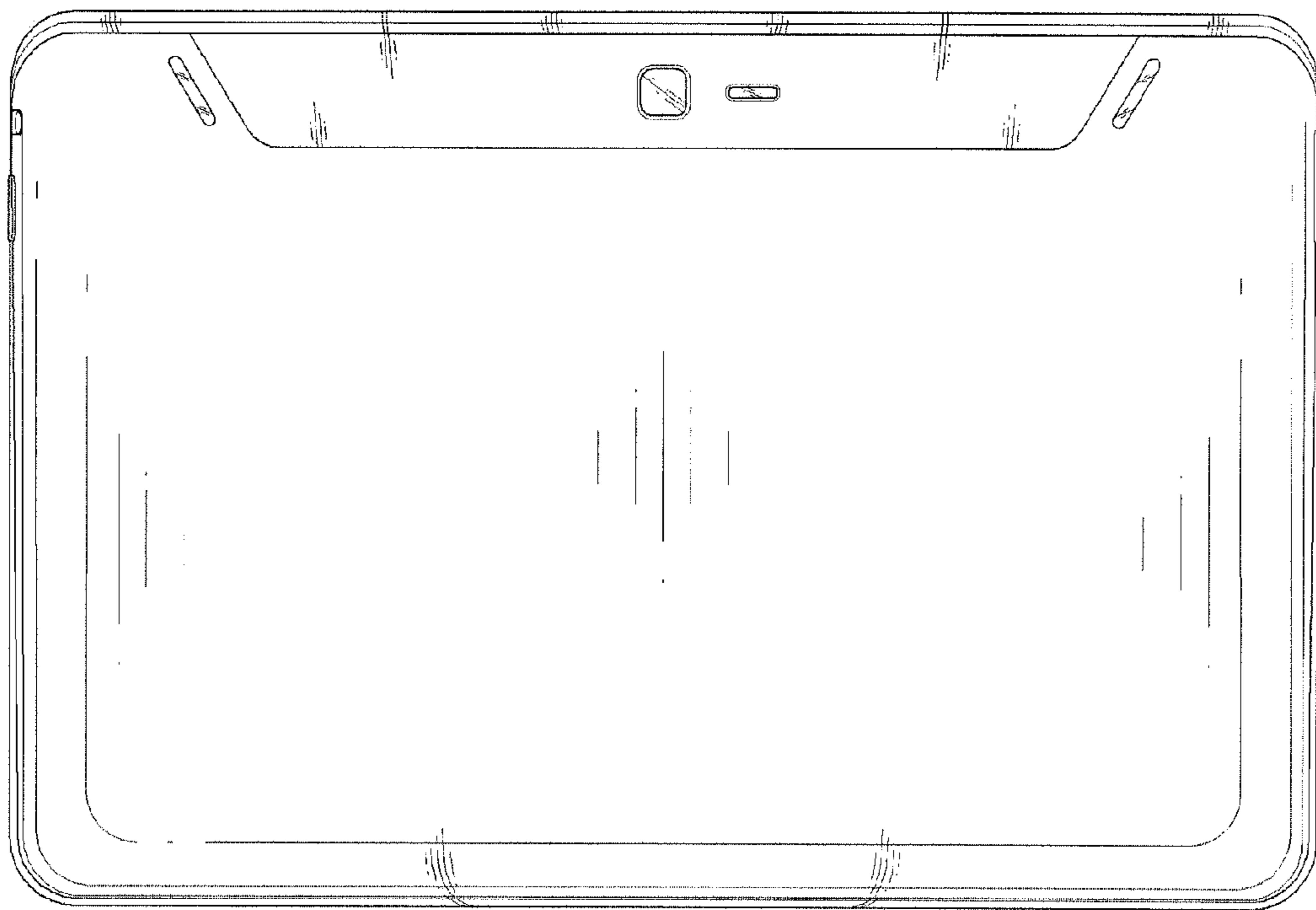


FIG. 4

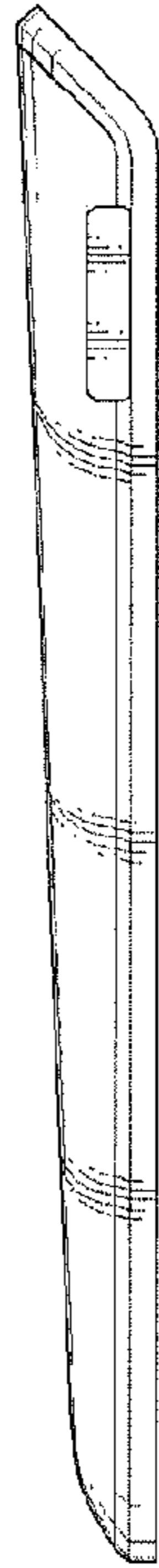


FIG. 5

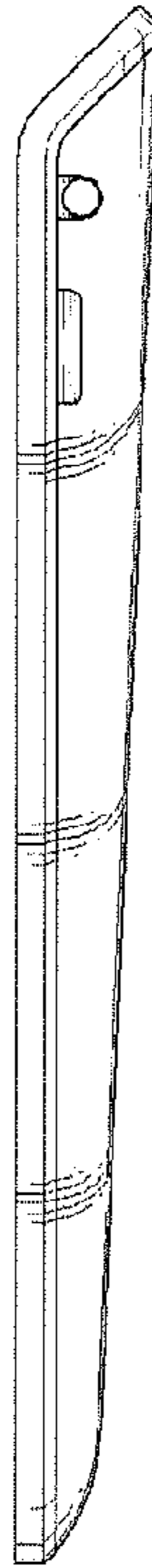


FIG. 6

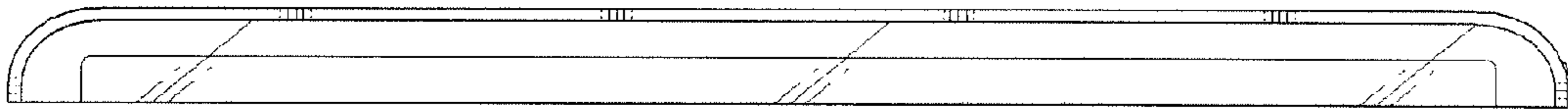


FIG. 7

