



US00D678268S

(12) **United States Design Patent**  
**O'Neil et al.**

(10) **Patent No.:** **US D678,268 S**  
(45) **Date of Patent:** **\*\* Mar. 19, 2013**

(54) **PORTABLE INFORMATION HANDLING SYSTEM**

(75) Inventors: **Daniel O'Neil**, Austin, TX (US); **Brian Hargrove Leonard**, Austin, TX (US); **Joshua Probst**, Davie, FL (US); **Justin Lyles**, San Diego, CA (US); **Michael Ellis Smith**, Austin, TX (US); **Scott Harold Wilson**, Chicago, IL (US); **Stephen Michael Christopher**, Chicago, IL (US)

(73) Assignee: **Dell Products L.P.**, Round Rock, TX (US)

(\*\*) Term: **14 Years**

(21) Appl. No.: **29/420,206**

(22) Filed: **May 7, 2012**

(51) **LOC (9) Cl.** ..... **14-02**

(52) **U.S. Cl.** ..... **D14/315**

(58) **Field of Classification Search** ..... D14/391-399, D14/455, 301, 313, 315, 318; D18/1, 2, D18/7, 11; 178/17 A, 17 C; 200/5 A, 5 R, 200/6 A, 6 R; 235/145 A, 145 R; 345/160, 345/168, 169; 341/20, 22, 23; 400/484-489, 400/492, 472; 361/679.08, 679.09, 679.11, 361/679.12, 679.17, 679.2, 600

See application file for complete search history.

(56) **References Cited**

U.S. PATENT DOCUMENTS

6,519,139	B2 *	2/2003	Kambayashi	.....	361/679.09
D578,525	S *	10/2008	Yoon	.....	D14/319
D596,633	S *	7/2009	Kawase et al.	.....	D14/319
D626,546	S *	11/2010	Paek	.....	D14/315
D643,031	S *	8/2011	Yoon et al.	.....	D14/315
2005/0041378	A1 *	2/2005	Hamada et al.	.....	361/680

\* cited by examiner

*Primary Examiner* — Freda S Nunn

(74) *Attorney, Agent, or Firm* — Hamilton & Terrile, LLP; Stephen A. Terrile

(57) **CLAIM**

We claim the ornamental design for a portable information handling system, as shown and described.

**DESCRIPTION**

FIG. 1 is a front perspective view of the portable information handling system in a closed position comprising the present invention;

FIG. 2 is a front view thereof;

FIG. 3 is a right side view thereof;

FIG. 4 is a left side view thereof;

FIG. 5 is a rear view thereof;

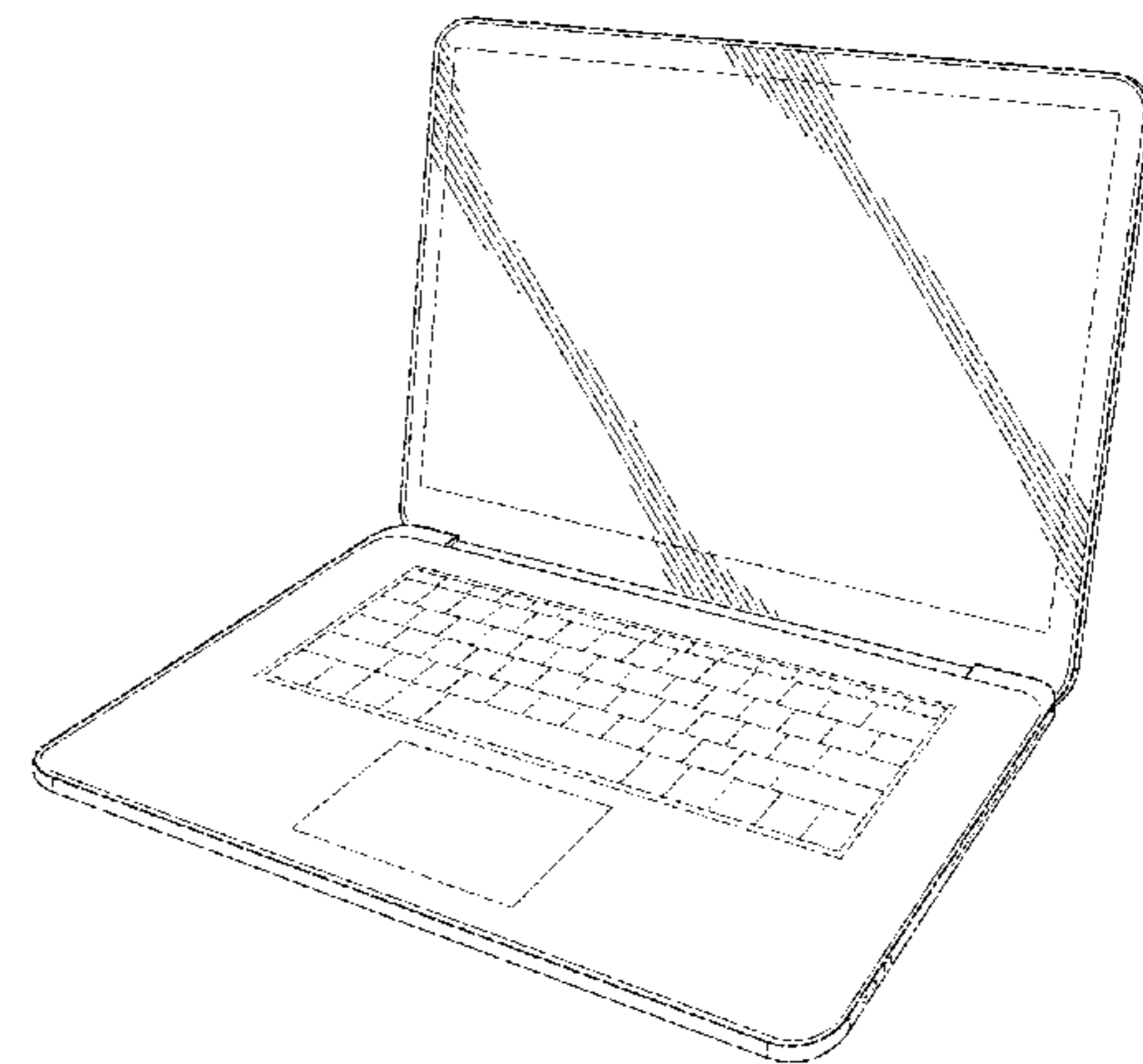
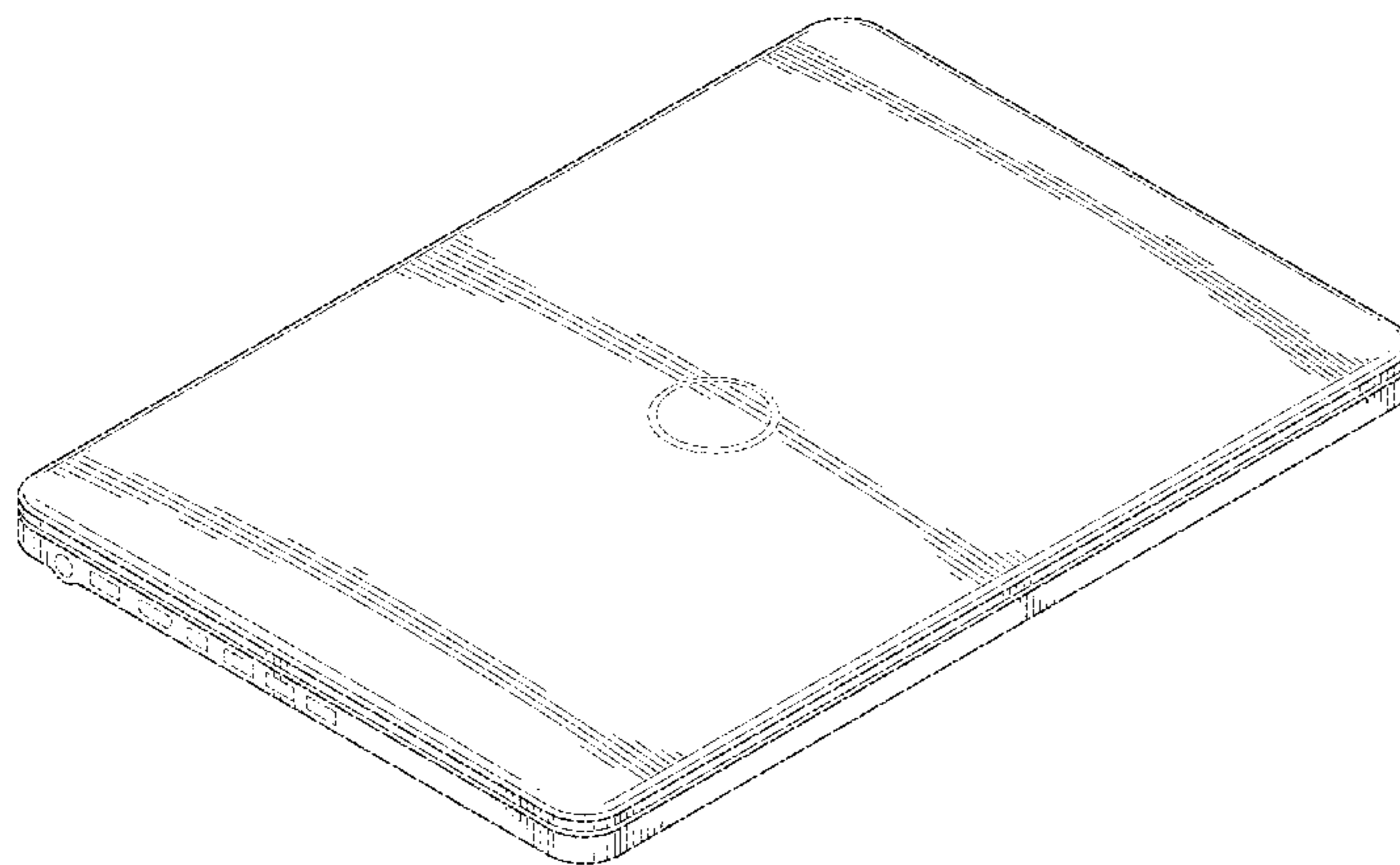
FIG. 6 is a top view thereof;

FIG. 7 is a bottom view thereof; and,

FIG. 8 is a front perspective view of the portable information handling system in an open position.

Broken lines shown in the drawings illustrate portions of the information handling system, and form no part of the claimed design.

**1 Claim, 5 Drawing Sheets**



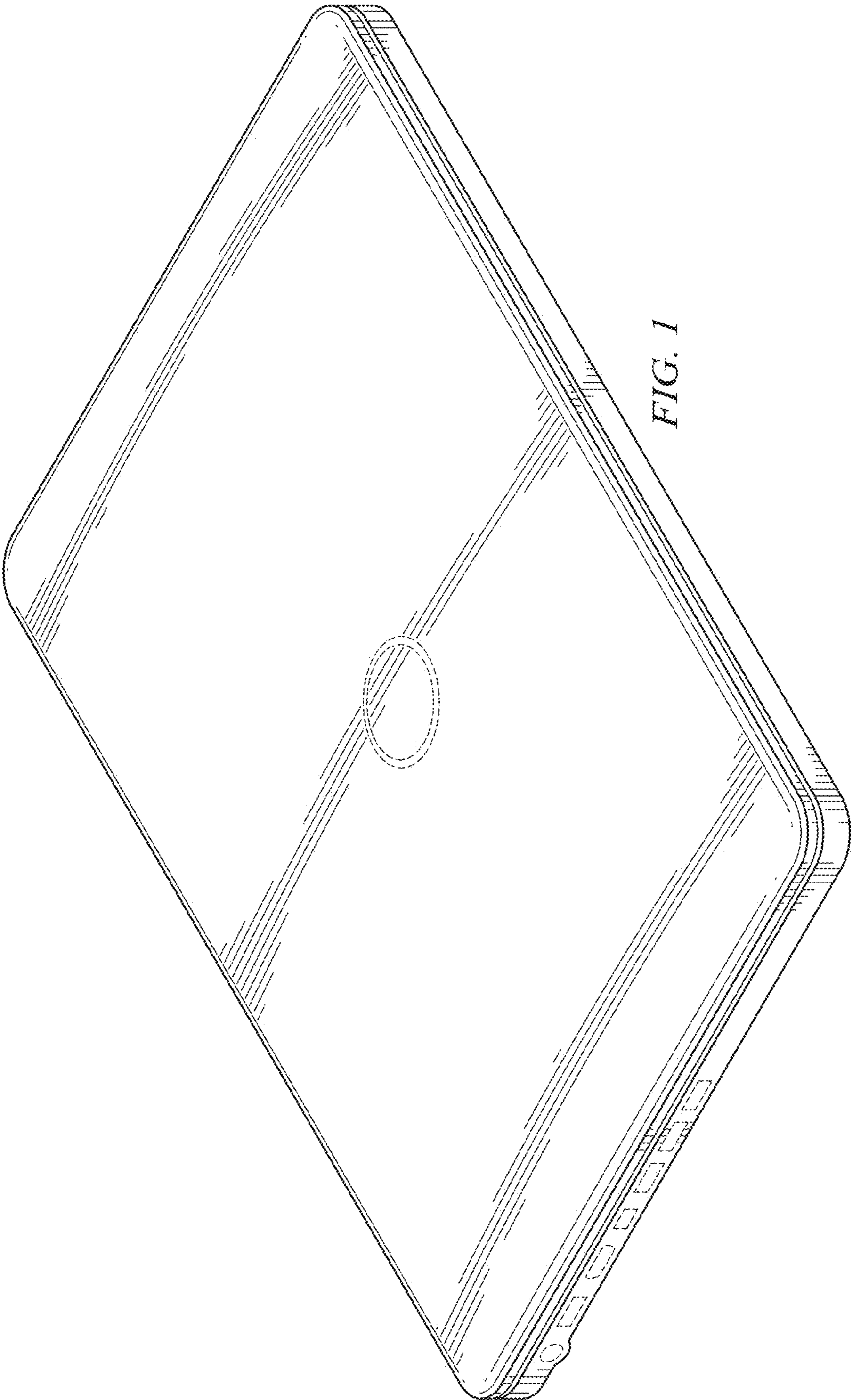


FIG. 1

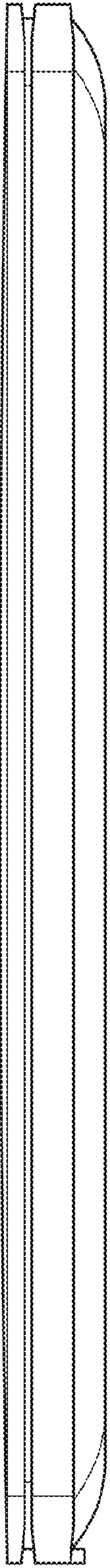


FIG. 2

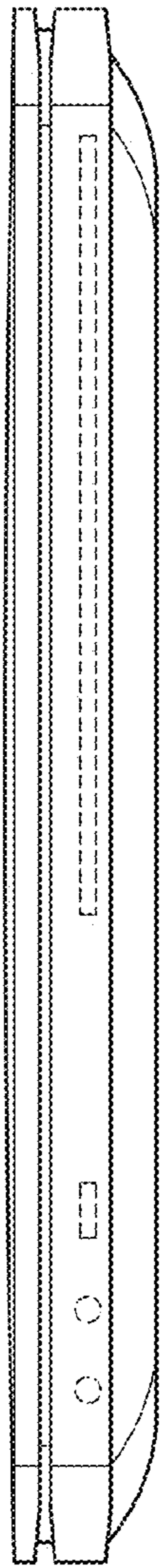


FIG. 3

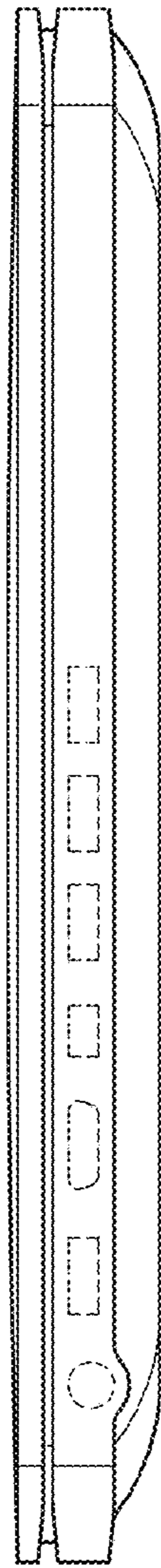


FIG. 4



FIG. 5

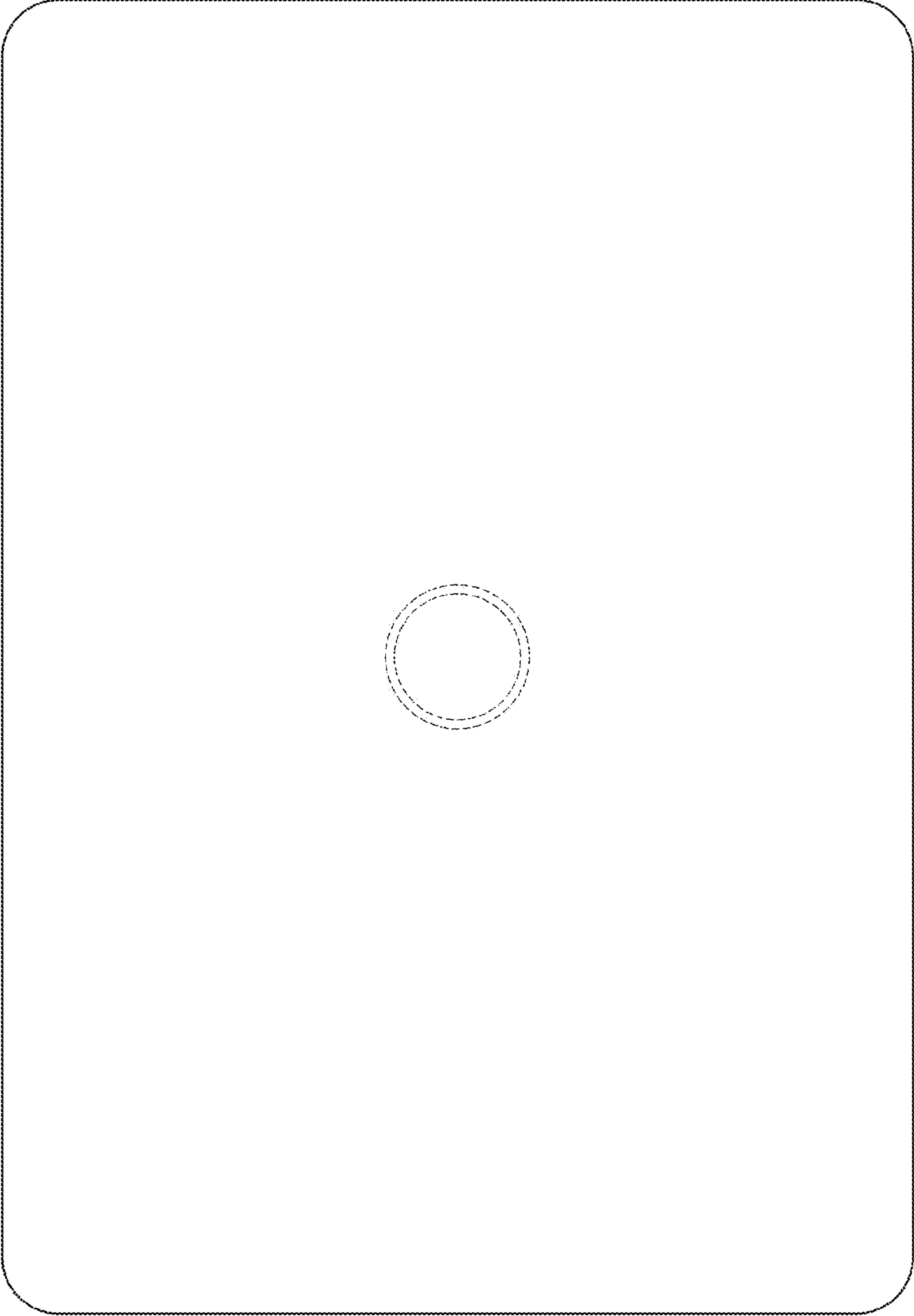


FIG. 6

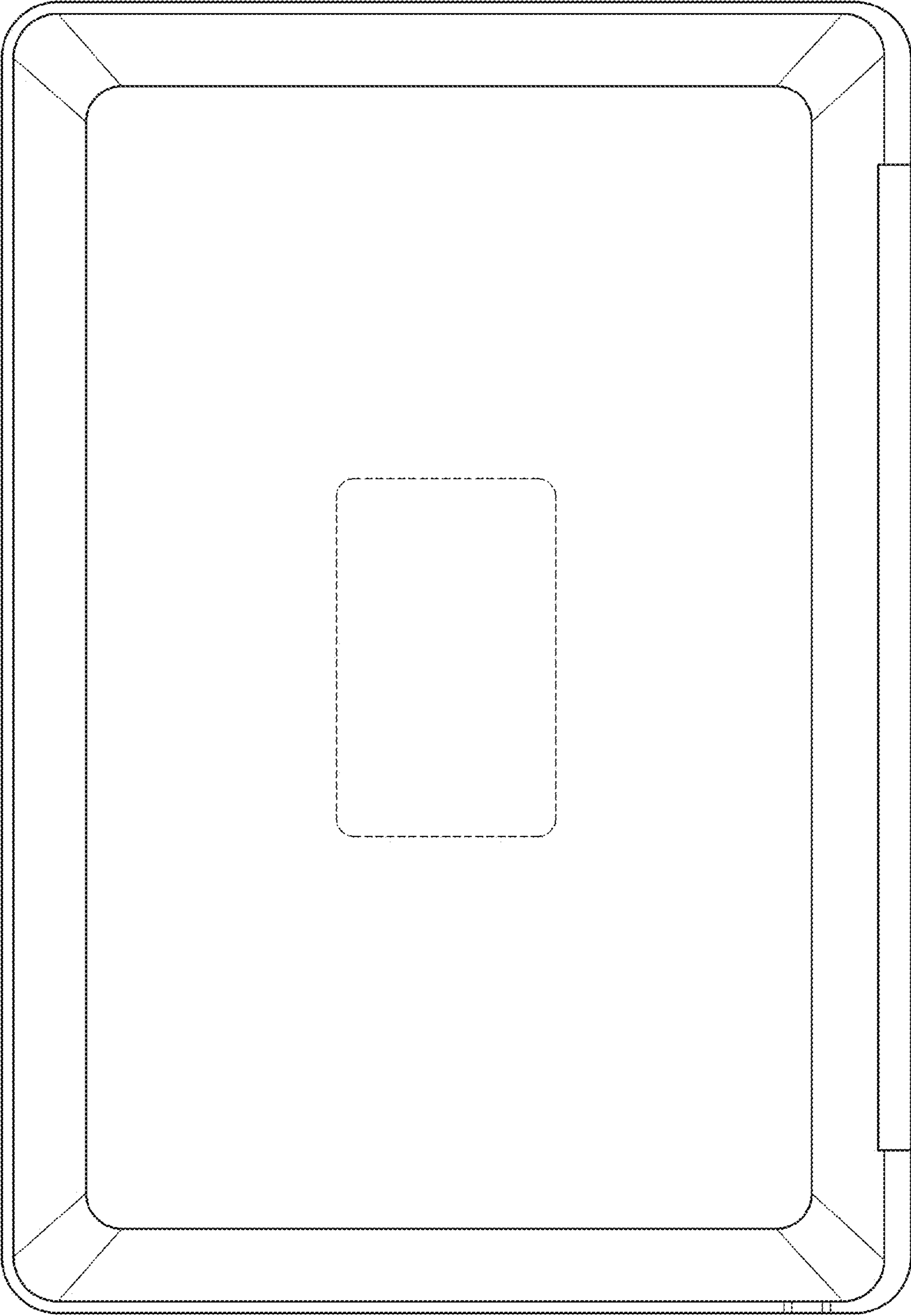
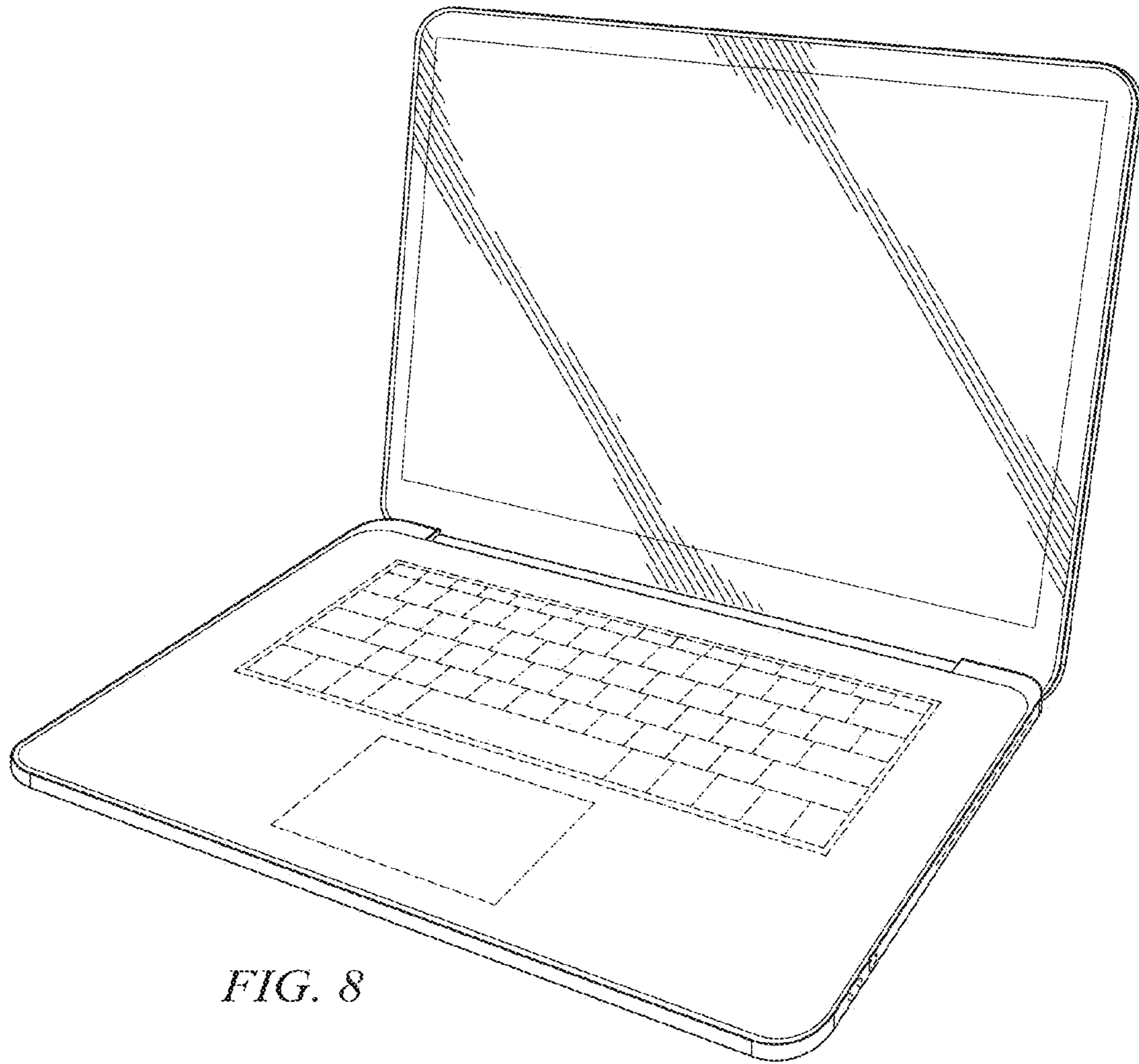


FIG. 7



*FIG. 8*