



US00D678265S

(12) **United States Design Patent**
Tran et al.

(10) **Patent No.:** **US D678,265 S**
(45) **Date of Patent:** **** Mar. 19, 2013**

(54) **CONTROL HEAD FOR A MOBILE RADIO**

(75) Inventors: **Chi T. Tran**, Weston, FL (US); **SokHui Khoo**, Negeri Sembilan (MY); **Lee Huang Ng**, Taiping (MY)

(73) Assignee: **Motorola Solutions, Inc.**, Schaumburg, IL (US)

(**) Term: **14 Years**

(21) Appl. No.: **29/413,649**

(22) Filed: **Feb. 17, 2012**

(51) **LOC (9) Cl.** **14-03**

(52) **U.S. Cl.** **D14/258**

(58) **Field of Classification Search** D14/131, D14/132, 137, 155, 157, 168-171, 188, 194, D14/197, 198, 239, 257, 258, 496, 498-508; 455/90.1-90.3, 344-355; 369/6-12
See application file for complete search history.

(56) **References Cited**

U.S. PATENT DOCUMENTS

D389,841 S * 1/1998 Tokiyama et al. D14/258
D530,305 S * 10/2006 Kaner et al. D14/188

D531,163 S * 10/2006 Kaner et al. D14/188
D532,006 S * 11/2006 Kim D14/258
D532,007 S * 11/2006 Park D14/258
D571,780 S * 6/2008 Tan et al. D14/188
D594,452 S * 6/2009 Katsuno D14/258

* cited by examiner

Primary Examiner — Keli L Hill

(74) *Attorney, Agent, or Firm* — Barbara R. Doutre

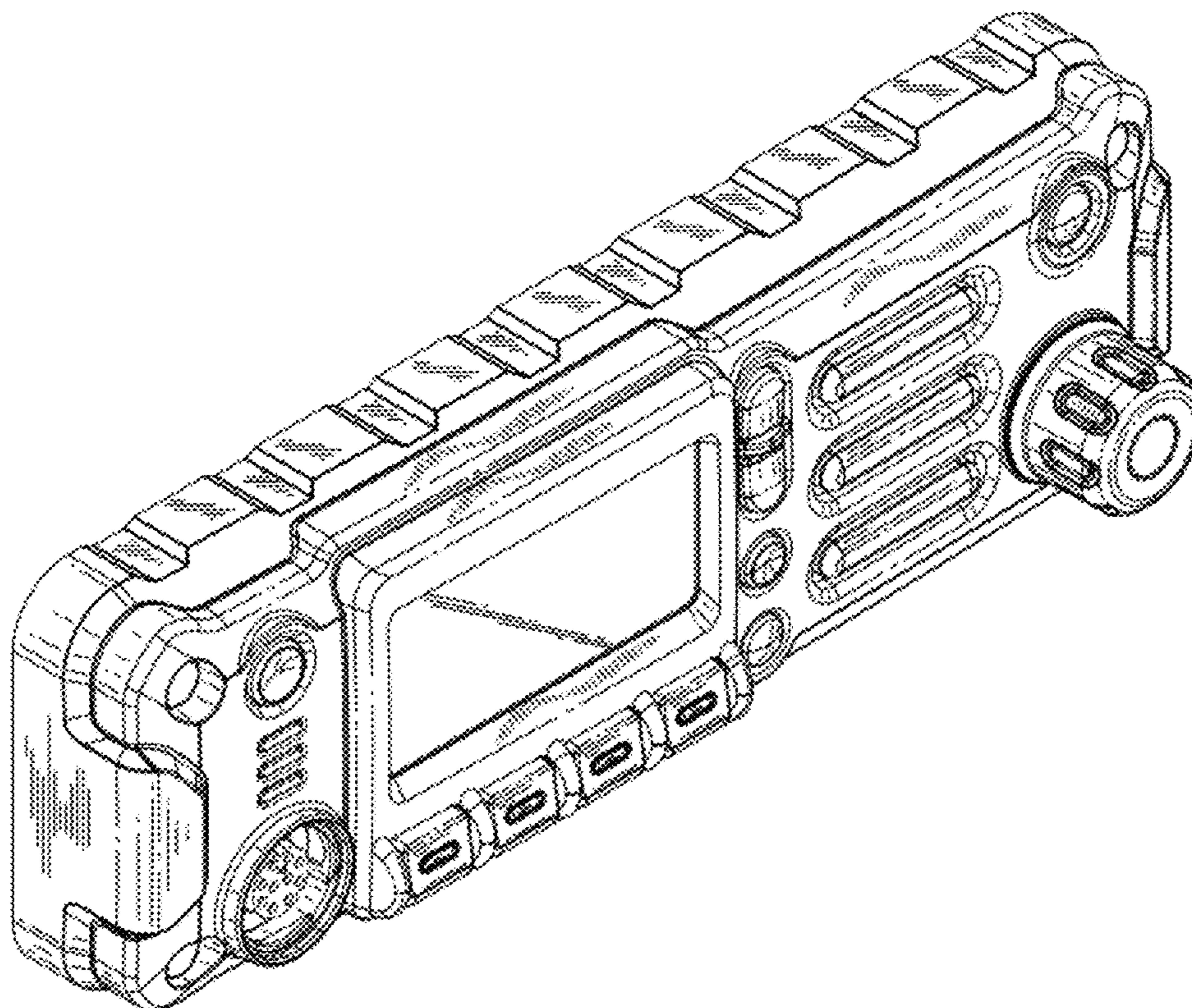
(57) **CLAIM**

The ornamental design for a control head for a mobile radio, as shown and described.

DESCRIPTION

FIG. 1 is a front perspective view of an ornamental design for a control head for a mobile radio;
FIG. 2 is a front view thereof;
FIG. 3 is a top view thereof;
FIG. 4 is bottom view thereof;
FIG. 5 is a first side view thereof; and,
FIG. 6 is a second side view thereof.
The broken lines shown in FIGS. 1-6 are included for the purpose of illustrating environmental elements only and form no part of the claimed design.

1 Claim, 4 Drawing Sheets



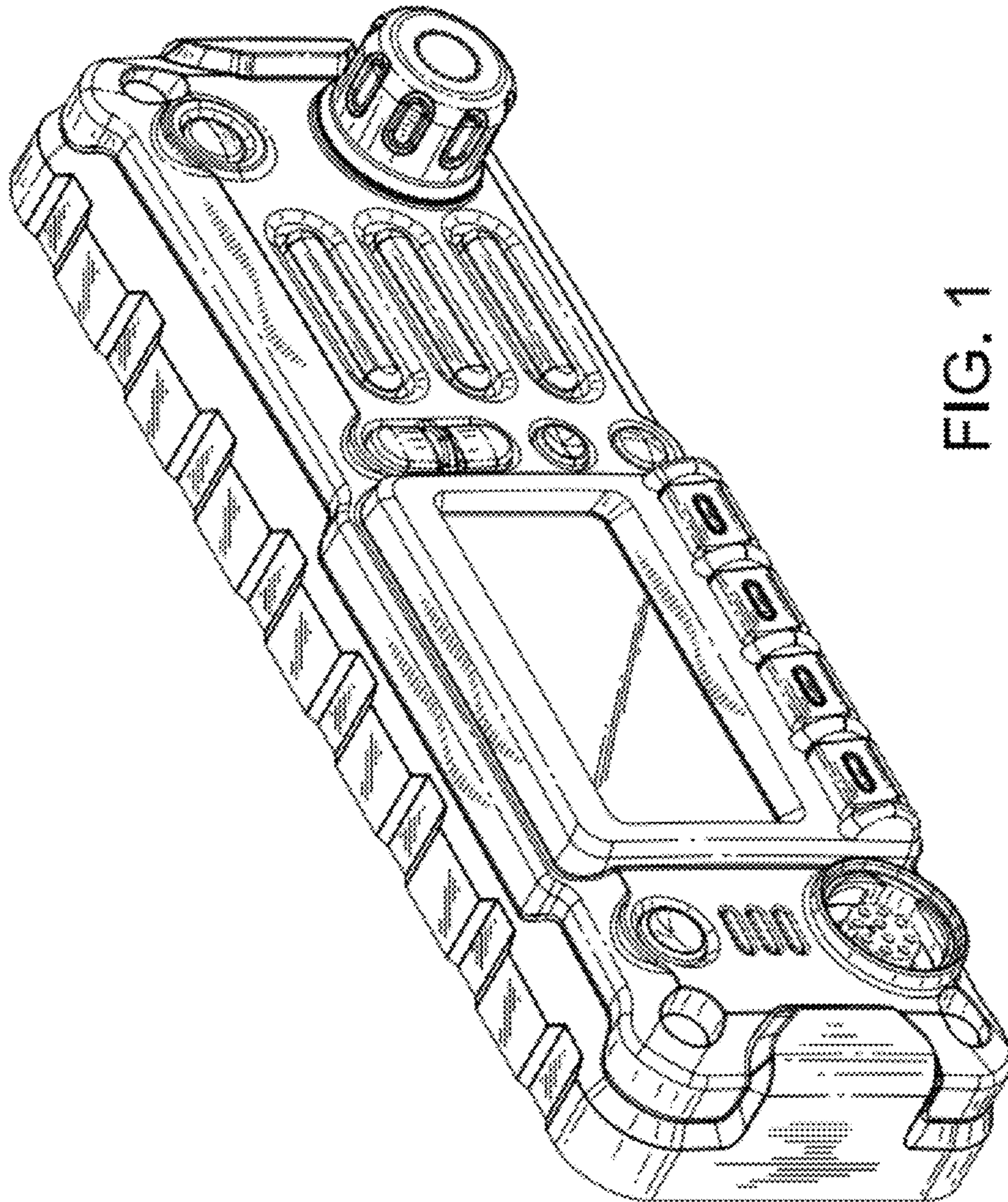


FIG. 1

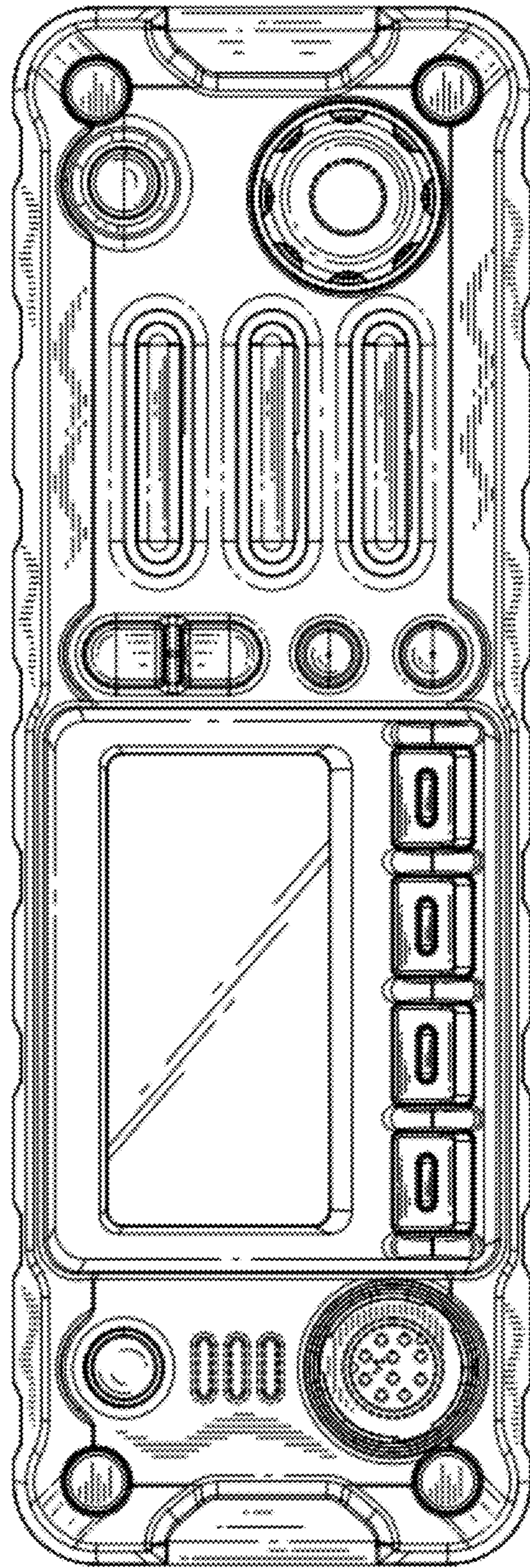


FIG. 2

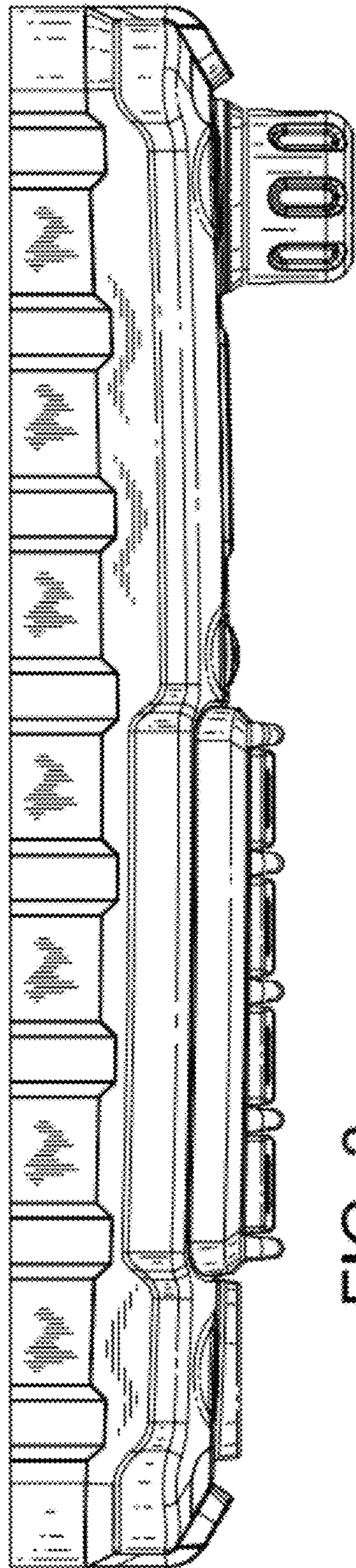
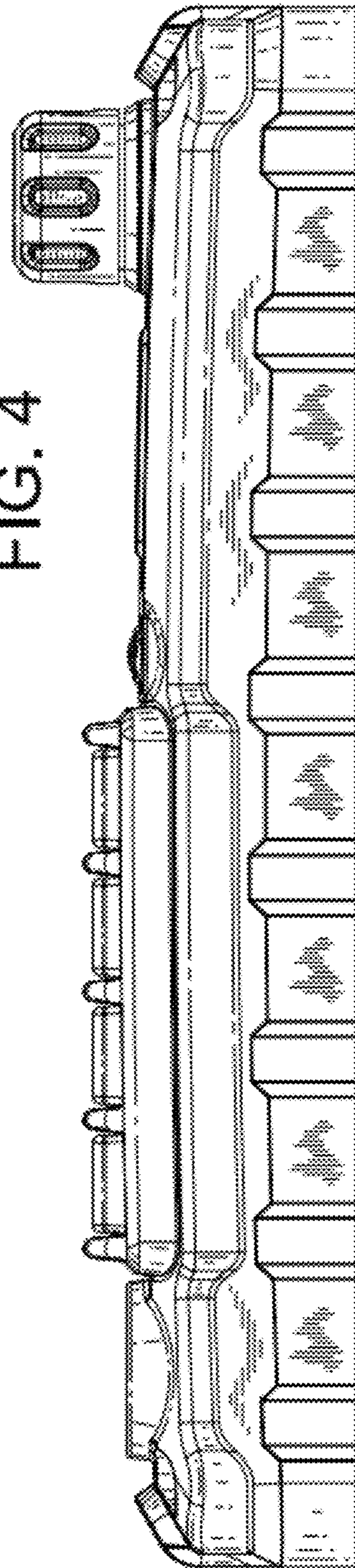


FIG. 3

FIG. 4



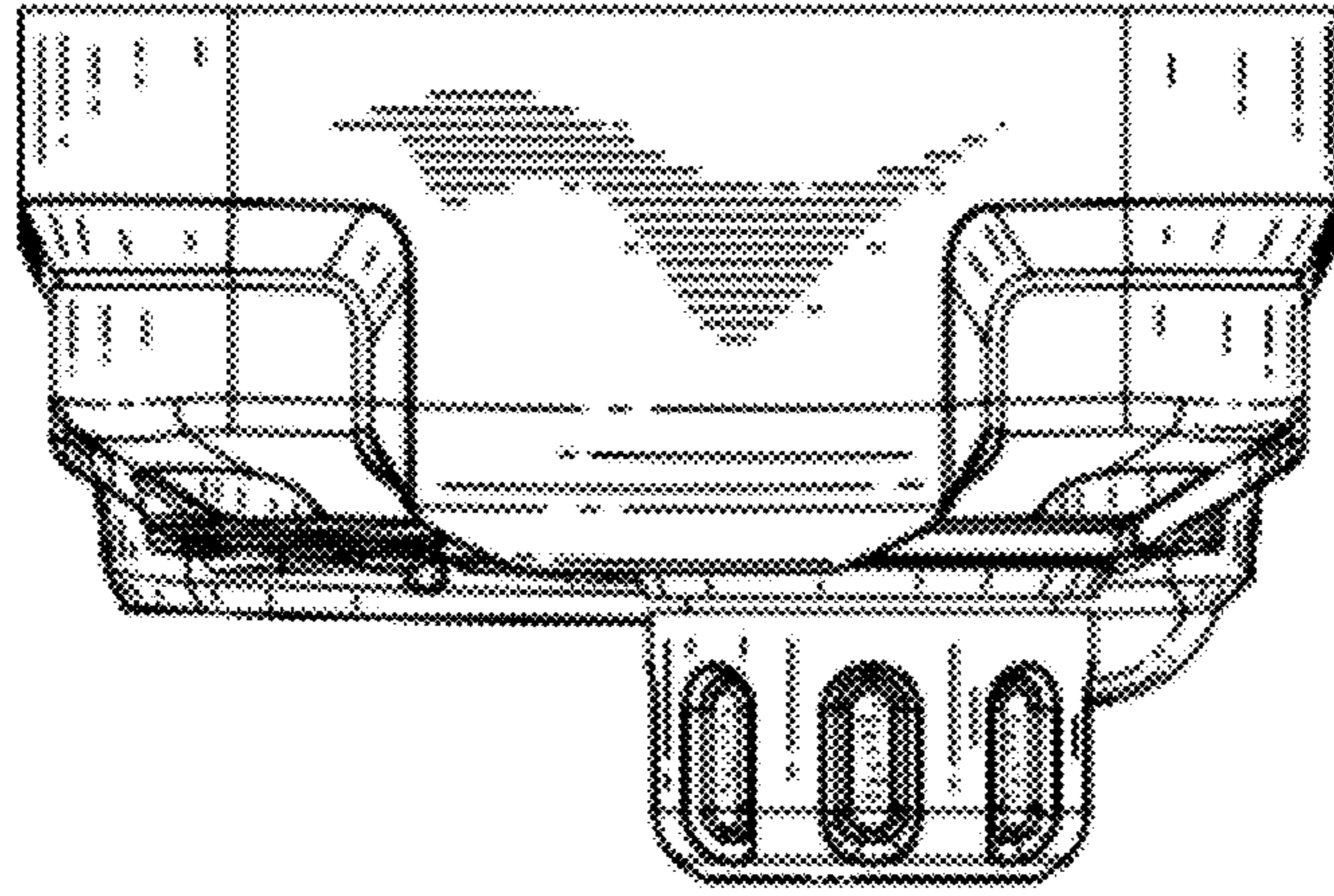


FIG. 6

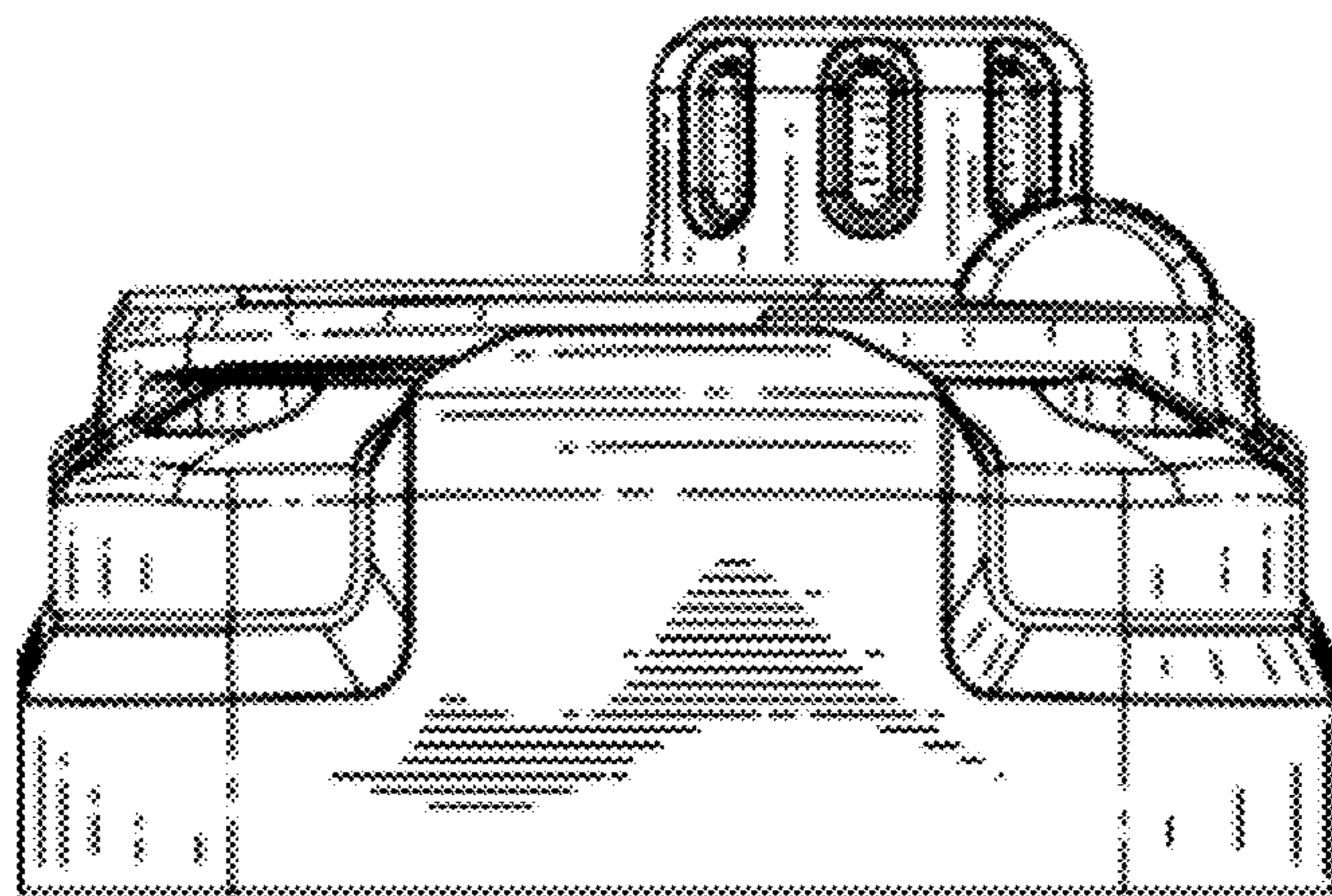


FIG. 5