

US00D678264S

(12) **United States Design Patent**
Freeland

(10) **Patent No.:** **US D678,264 S**
(45) **Date of Patent:** **** Mar. 19, 2013**

(54) **VINTAGE PHONE WITH SMART PHONE DOCKING STATION**

D662,491 S * 6/2012 Andre et al. D14/217
2008/0219488 A1 * 9/2008 Crooijmans et al. 381/333
2010/0090085 A1 * 4/2010 Corrion 248/459

(75) Inventor: **Scott Freeland**, Deltona, FL (US)

* cited by examiner

(73) Assignee: **Freeland Studios, Inc.**, Deltona, FL (US)

Primary Examiner — Cynthia Underwood
(74) *Attorney, Agent, or Firm* — Notaro, Michalos & Zaccaria P.C.

(**) Term: **14 Years**

(57) **CLAIM**

(21) Appl. No.: **29/383,387**

The ornamental design for a vintage phone with smart phone docking station, as shown and described.

(22) Filed: **Jan. 17, 2011**

DESCRIPTION

(51) **LOC (9) Cl.** **14-03**

(52) **U.S. Cl.** **D14/253; D14/434**

(58) **Field of Classification Search** D14/250,
D14/251, 253, 240, 217, 496, 440, 203.3,
D14/203.4, 203.5, 203.8; D3/218, 215, 201;
220/4.02; 248/309.1; 361/679.56; 379/426,
379/433.11, 455; 455/575.1, 575.8; 190/100;
206/305, 320

See application file for complete search history.

FIG. 1 is a top, front, right perspective view of a vintage phone with smart phone docking station showing my new design therefore;

FIG. 2 is a front elevational view thereof;

FIG. 3 is a rear elevational view thereof;

FIG. 4 is a right side elevational view thereof;

FIG. 5 is a left side elevational view thereof;

FIG. 6 is a top plan view thereof; and,

FIG. 7 is a bottom plan view thereof.

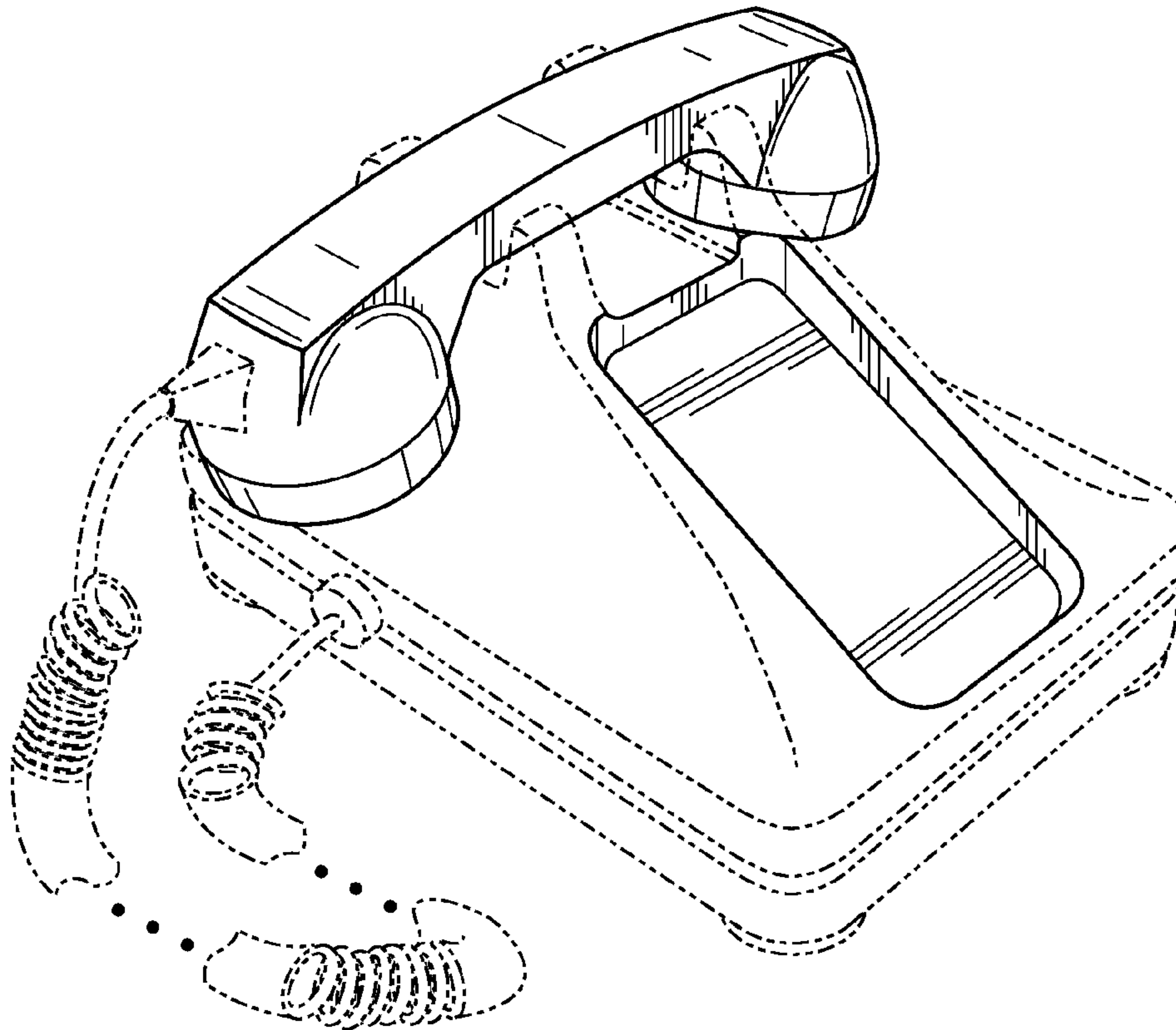
The broken lines are included for illustrative purposes only and form no part of the claimed design. The cord is shown with a symbolic break in its length, represented by the solid circles, which form no part of the claimed design.

(56) **References Cited**

U.S. PATENT DOCUMENTS

D561,182 S * 2/2008 Jenkins et al. D14/253
D652,039 S * 1/2012 Hwang et al. D14/434
D661,307 S * 6/2012 Hwang et al. D14/434

1 Claim, 7 Drawing Sheets



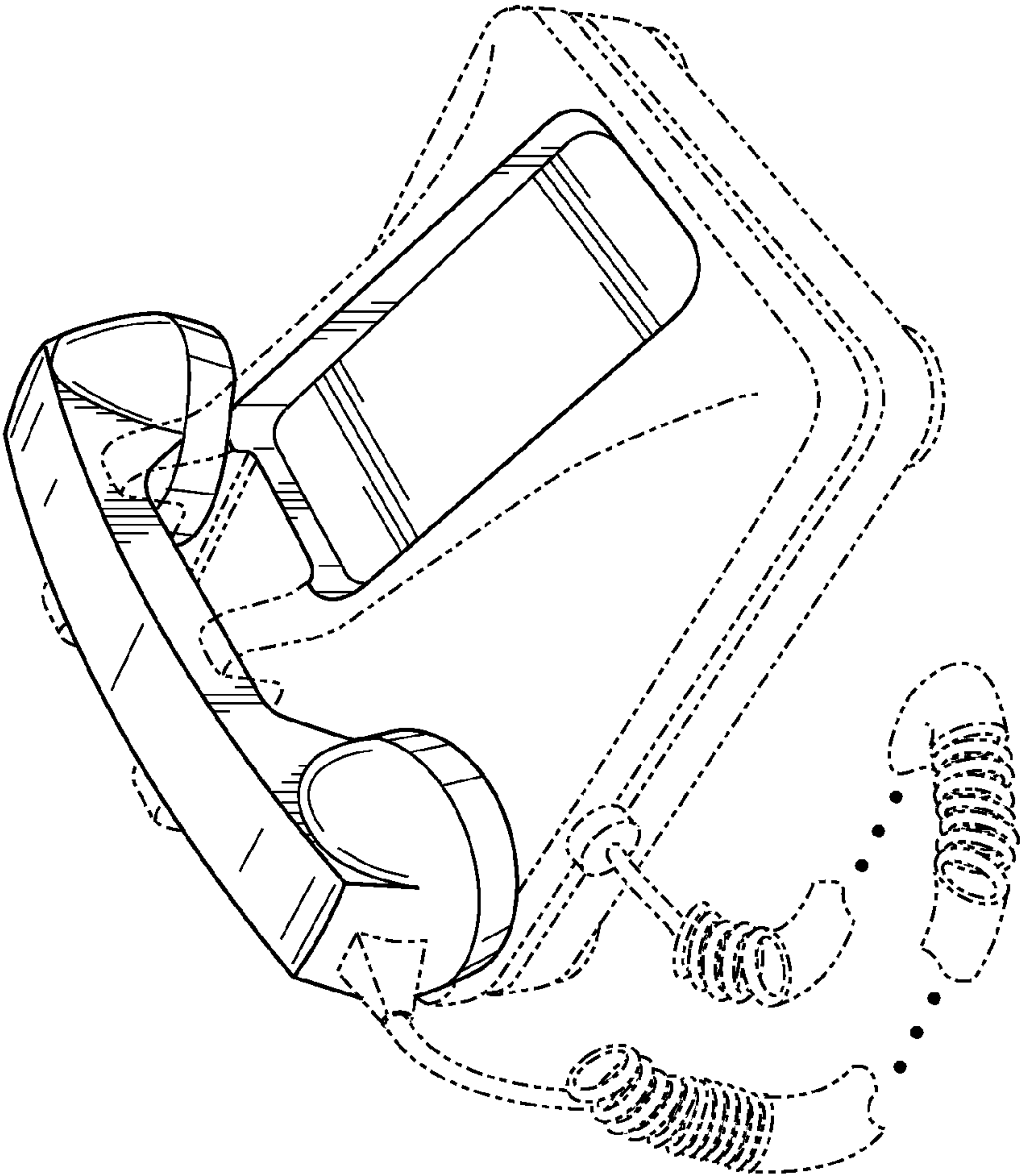


FIG. 1

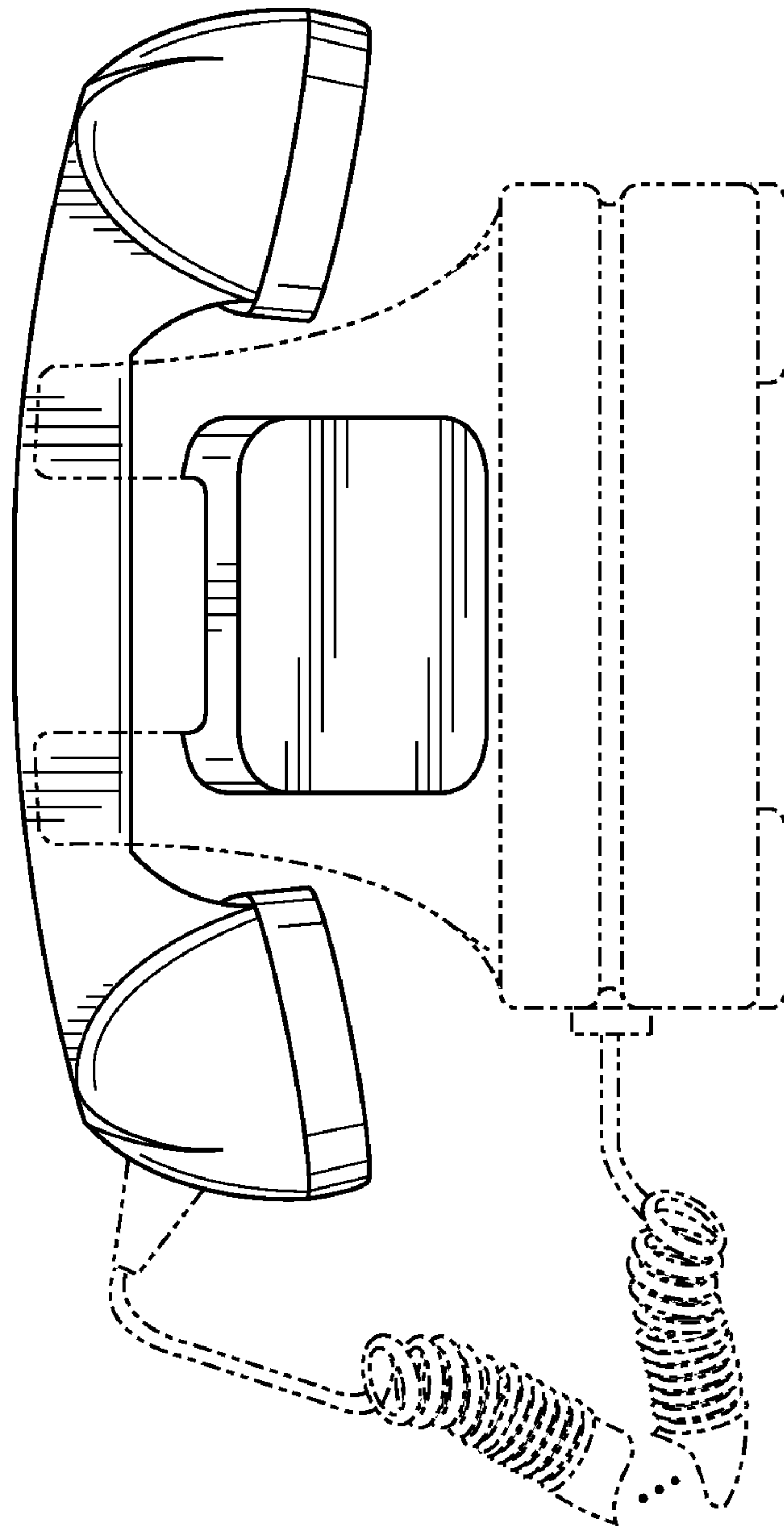


FIG. 2

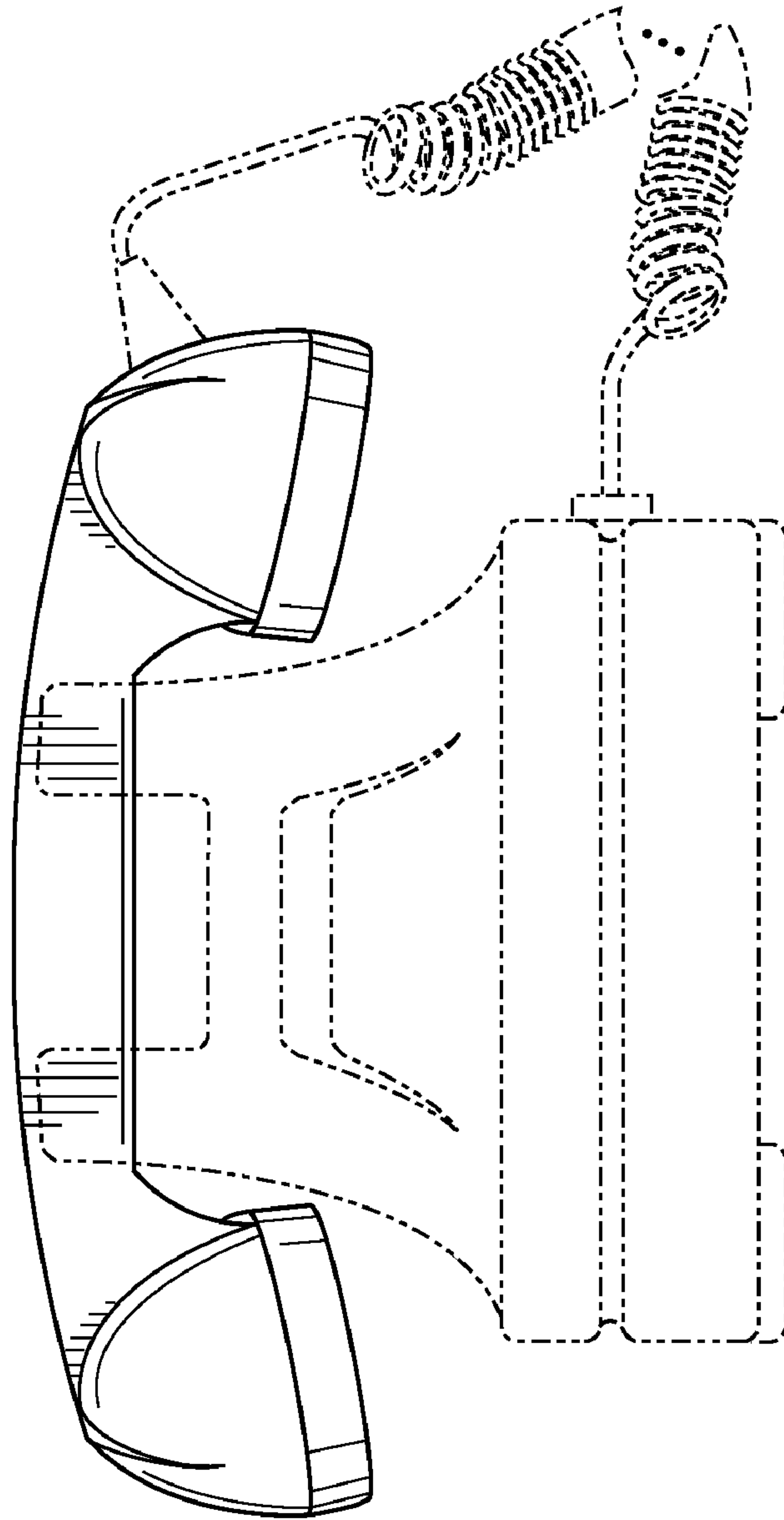


FIG. 3

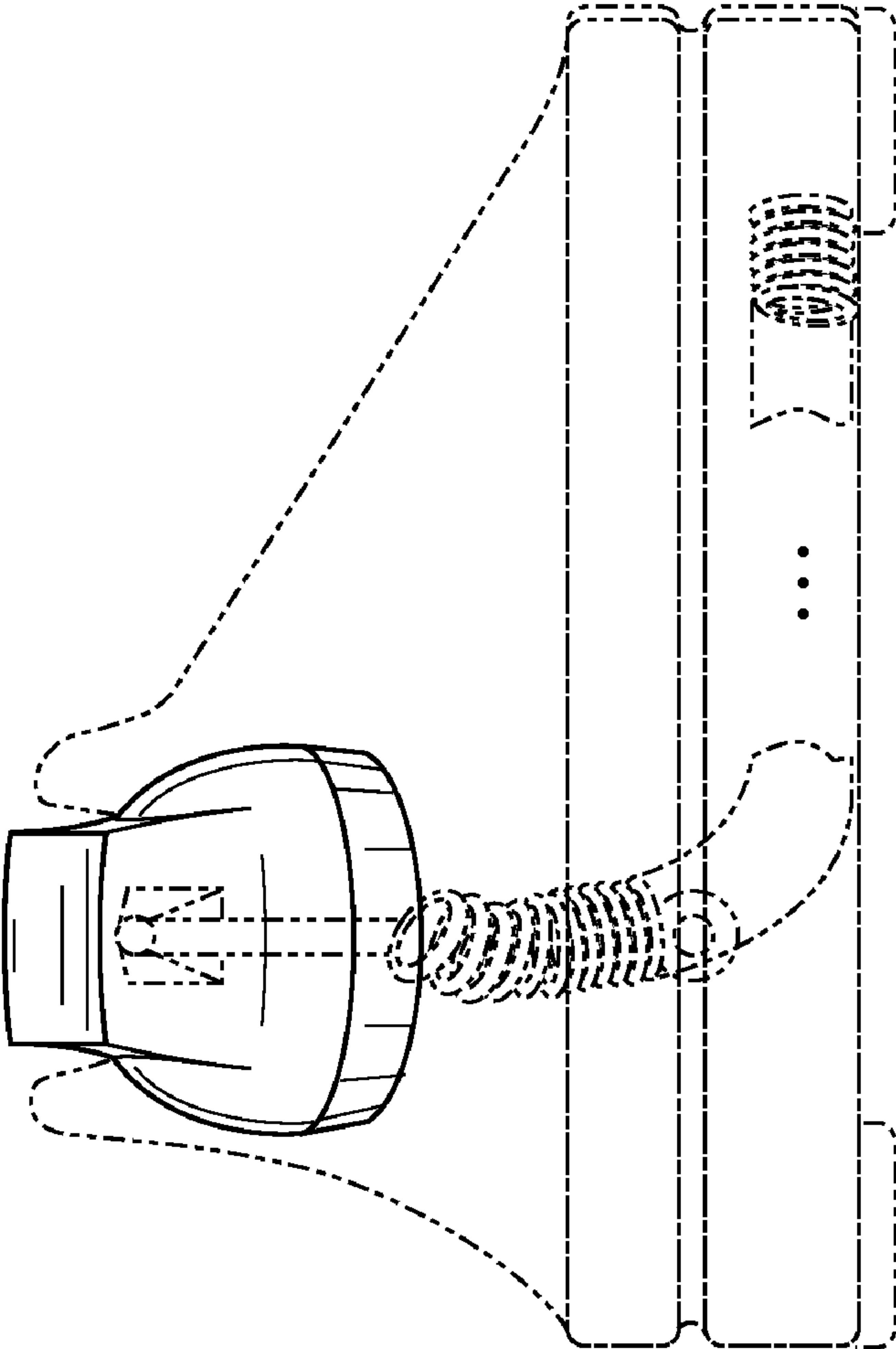


FIG. 4

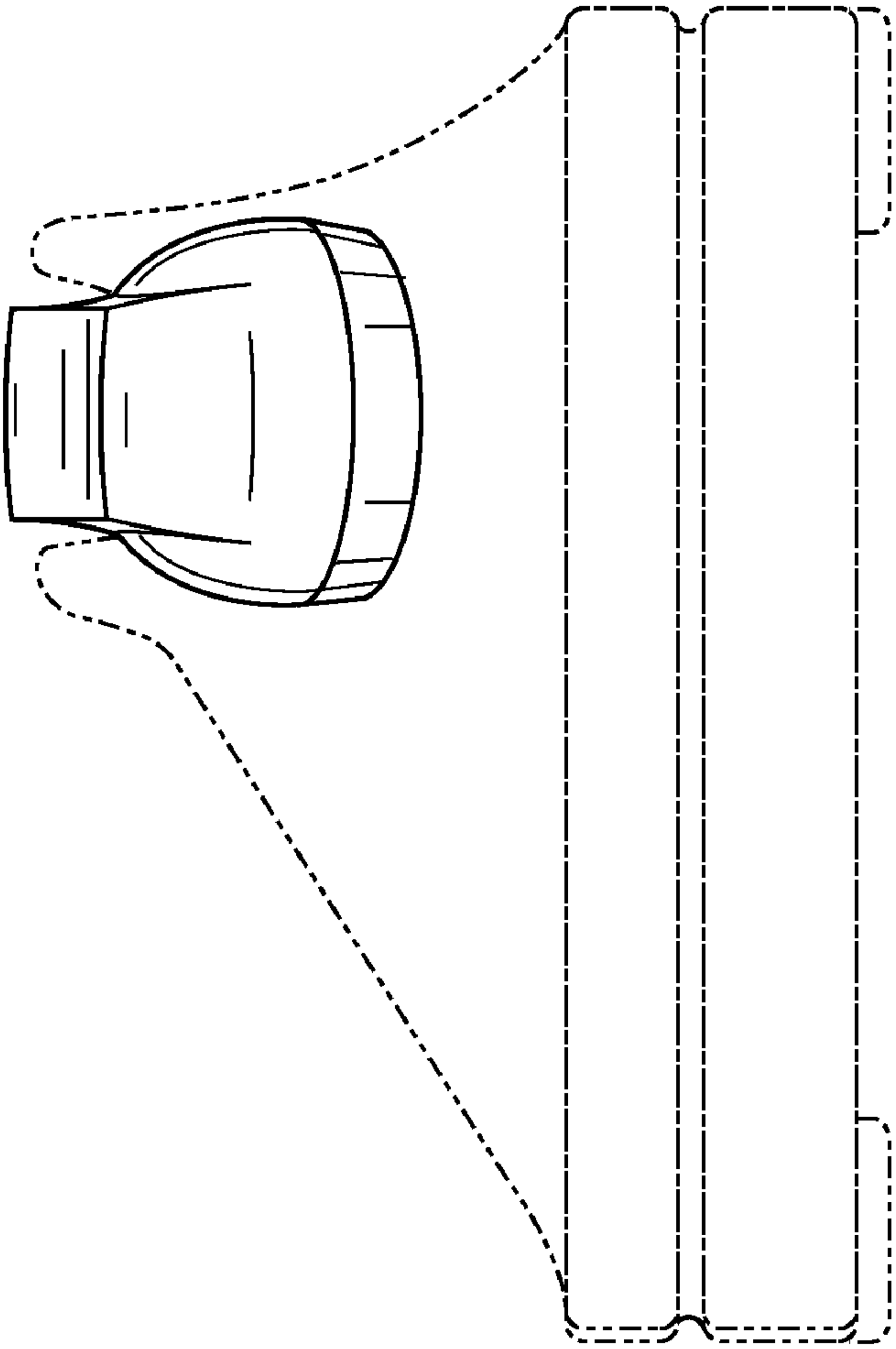


FIG. 5

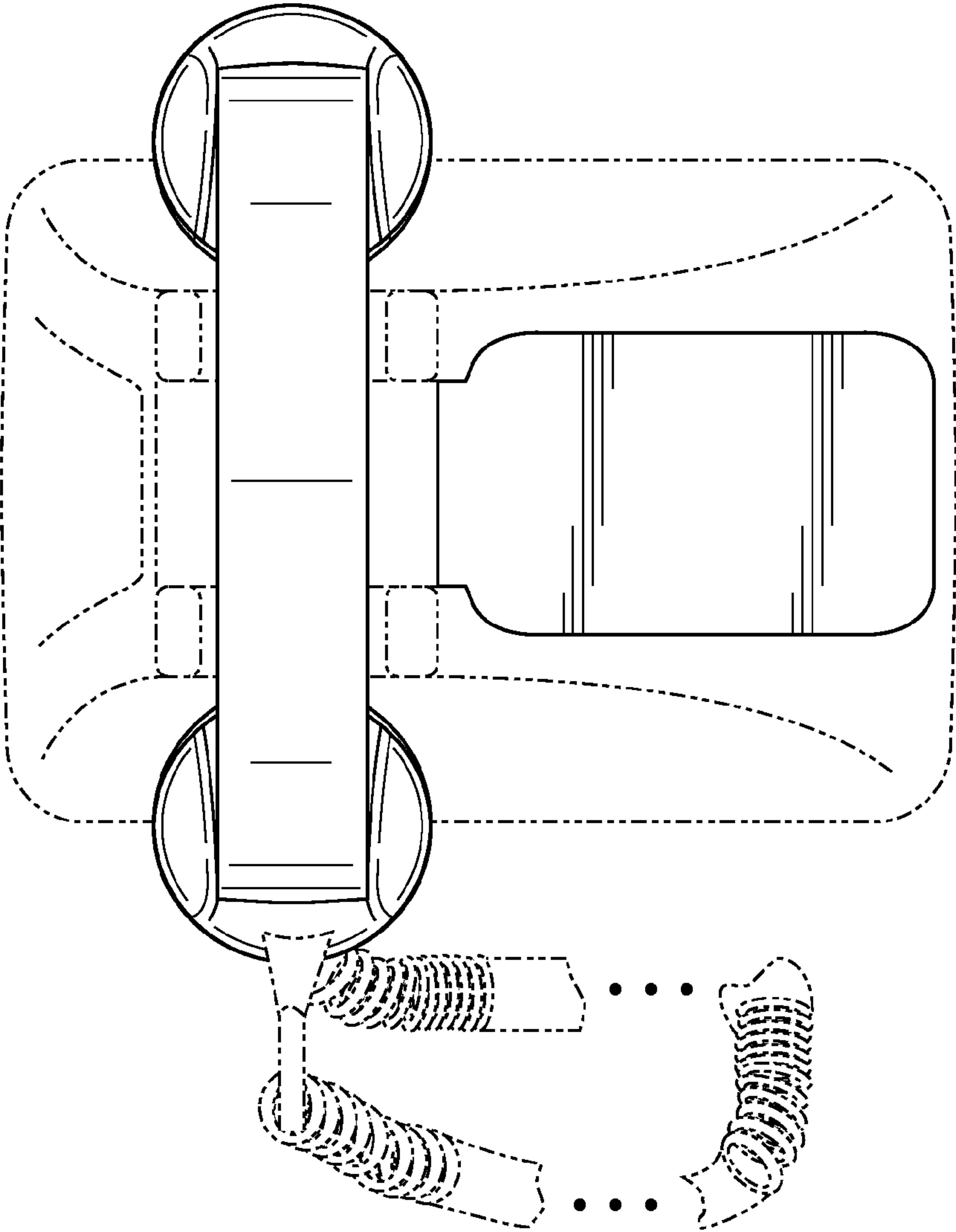


FIG. 6

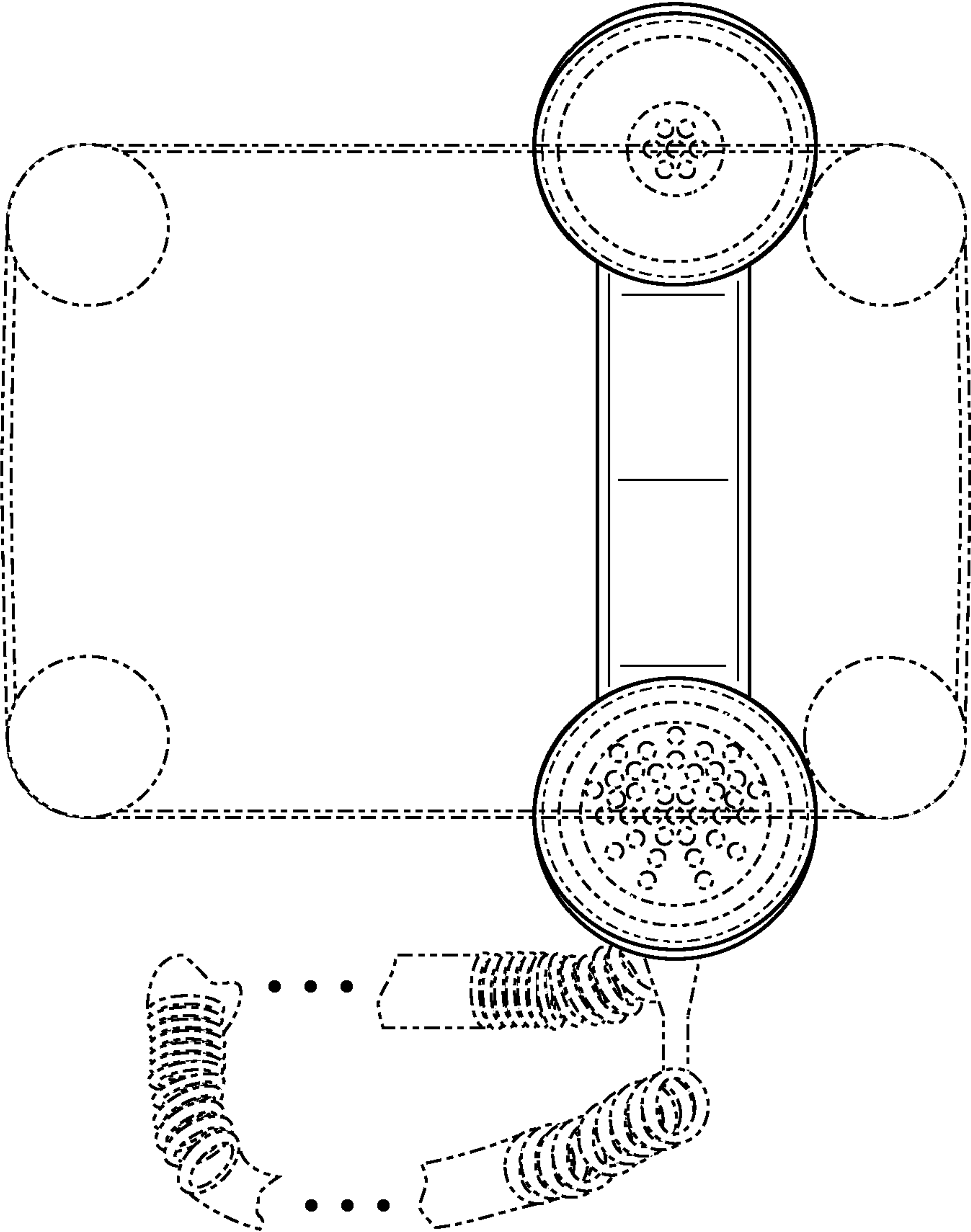


FIG. 7