



US00D678263S

(12) **United States Design Patent**
Chahine

(10) **Patent No.:** **US D678,263 S**
(45) **Date of Patent:** **** Mar. 19, 2013**

(54) **DOCKING STATION FOR CELLULAR TELEPHONE**

(75) Inventor: **Mahmoud Chahine**, Göteborg (SE)

(73) Assignee: **Innovazione of Sweden AB**, Gothenburg (SE)

(**) Term: **14 Years**

(21) Appl. No.: **29/417,303**

(22) Filed: **Apr. 2, 2012**

(30) **Foreign Application Priority Data**

Oct. 17, 2011 (EM) 001297808-0001/0002

(51) **LOC (9) Cl.** **14-03**

(52) **U.S. Cl.** **D14/251**

(58) **Field of Classification Search** D14/142, D14/149, 155, 157, 188, 191-193, 230.1-203.8, D14/217, 251, 253, 432-435.1, 447, 451, D14/496, 474, 480.1-480.7; D13/107, 108, D13/118; D3/218; 248/221.11, 309.1; 320/107, 320/110, 113-115; 361/600; 439/529, 534; 455/556.1-556.2, 557

See application file for complete search history.

(56) **References Cited**

U.S. PATENT DOCUMENTS

D412,162 S * 7/1999 Tal et al. D14/447
D428,002 S * 7/2000 Lindahl D14/253

D568,874 S * 5/2008 Andre et al. D14/217
7,656,120 B2 * 2/2010 Neu et al. 320/112
7,933,117 B2 * 4/2011 Howarth et al. 361/679.41
D649,137 S * 11/2011 DeVesto D14/217
8,054,042 B2 * 11/2011 Griffin et al. 320/115
D656,930 S * 4/2012 Son D14/253
8,160,643 B2 * 4/2012 Griffin, Jr. 455/557

* cited by examiner

Primary Examiner — Raphael Barkai

Assistant Examiner — Randall Gholson

(74) *Attorney, Agent, or Firm* — Harness, Dickey & Pierce, P.L.C.

(57) **CLAIM**

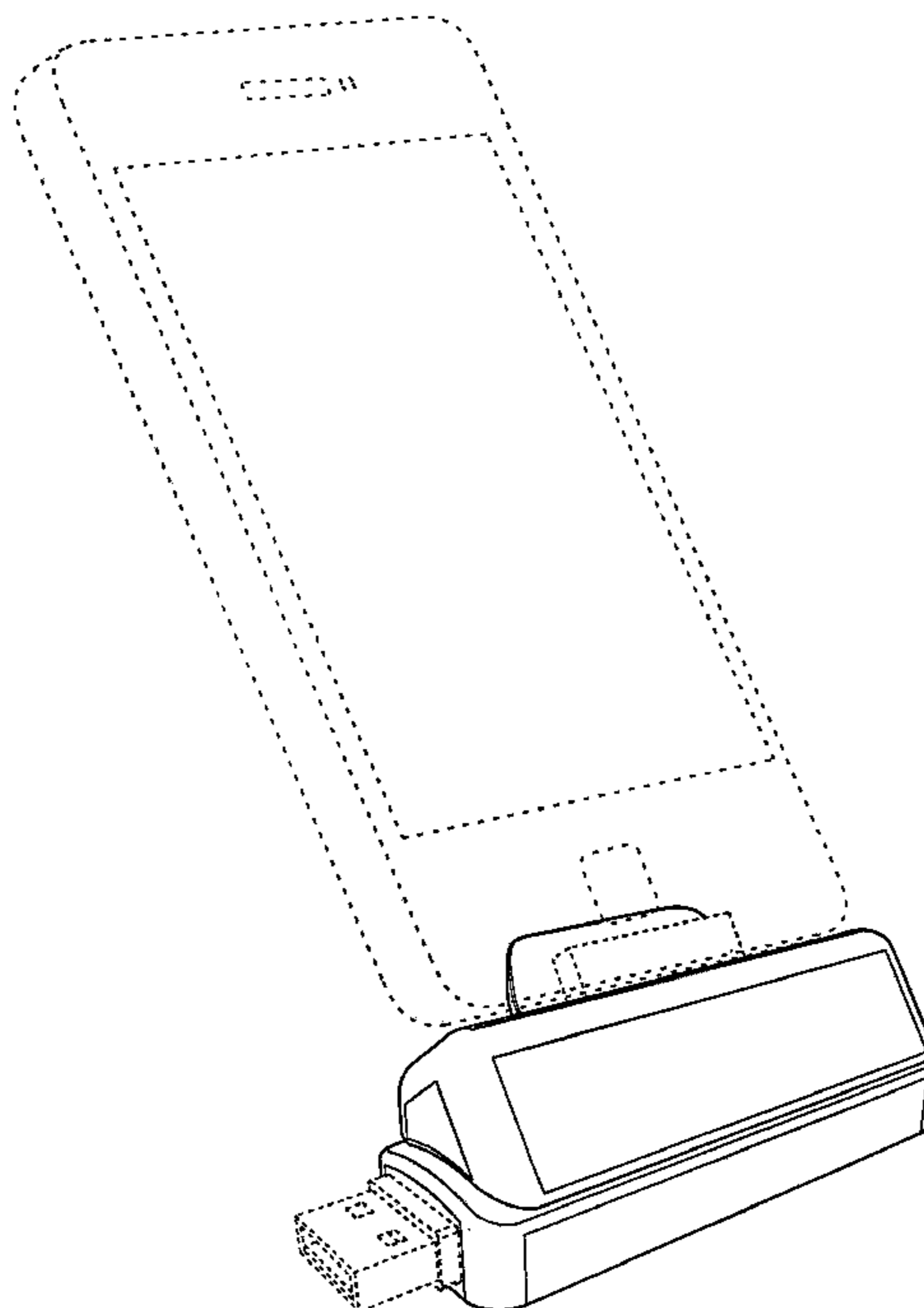
The ornamental design for the docking station for cellular telephone, as shown and described herein.

DESCRIPTION

FIG. 1 is perspective view of a docking station for cellular telephone showing my new design; FIG. 2 is a top plan view thereof; FIG. 3 is a front plan view thereof; is a right side elevational view thereof; FIG. 4 is a left side elevational view thereof; FIG. 5 is a right side elevational view thereof; FIG. 6 is a rear elevational view thereof; and, FIG. 7 is a perspective view of the docking station for cellular telephone shown in a rotated position.

The broken line disclosure is understood to be for illustrative purposes only and forms no part of the claimed design.

1 Claim, 7 Drawing Sheets



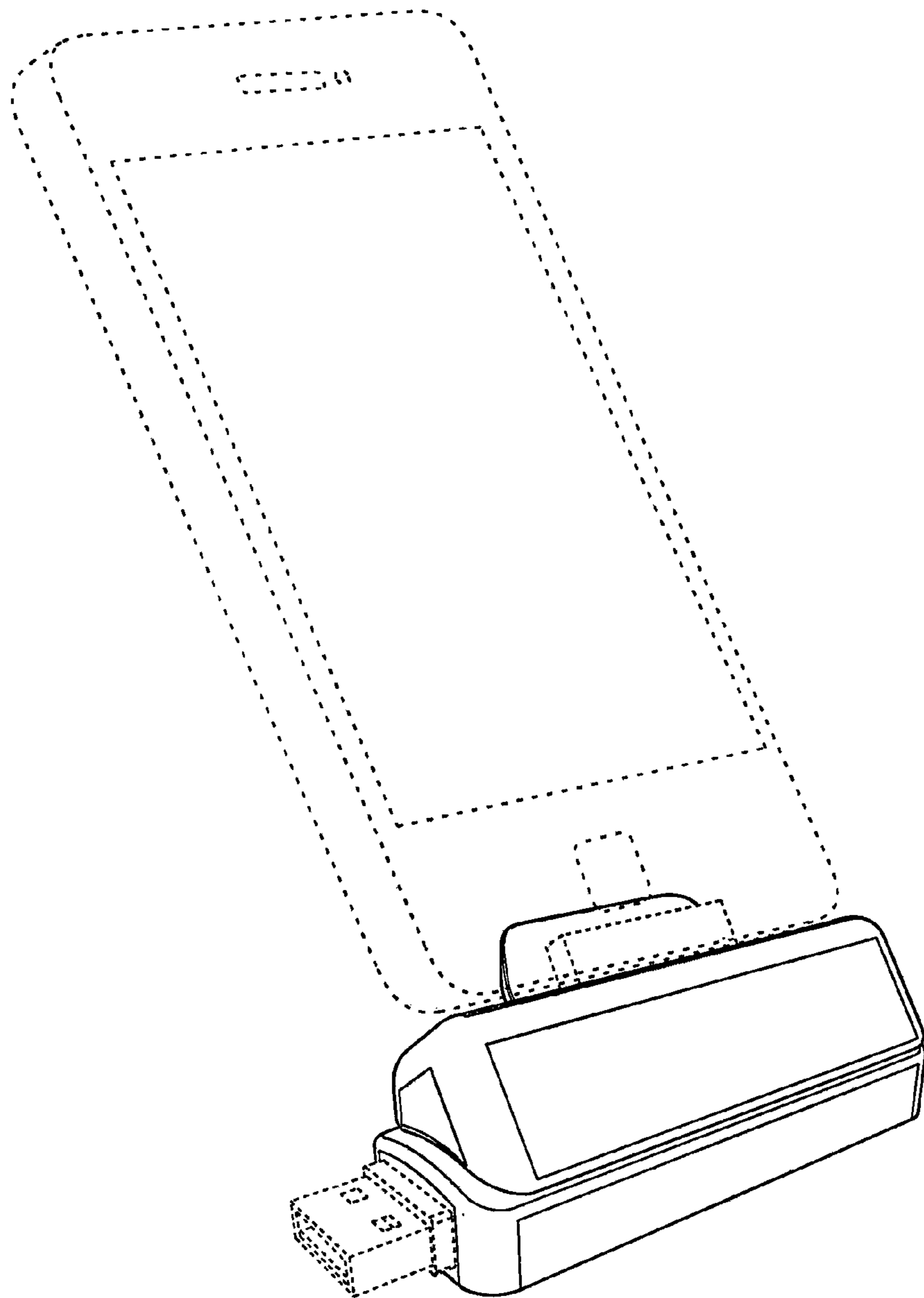


Figure 1

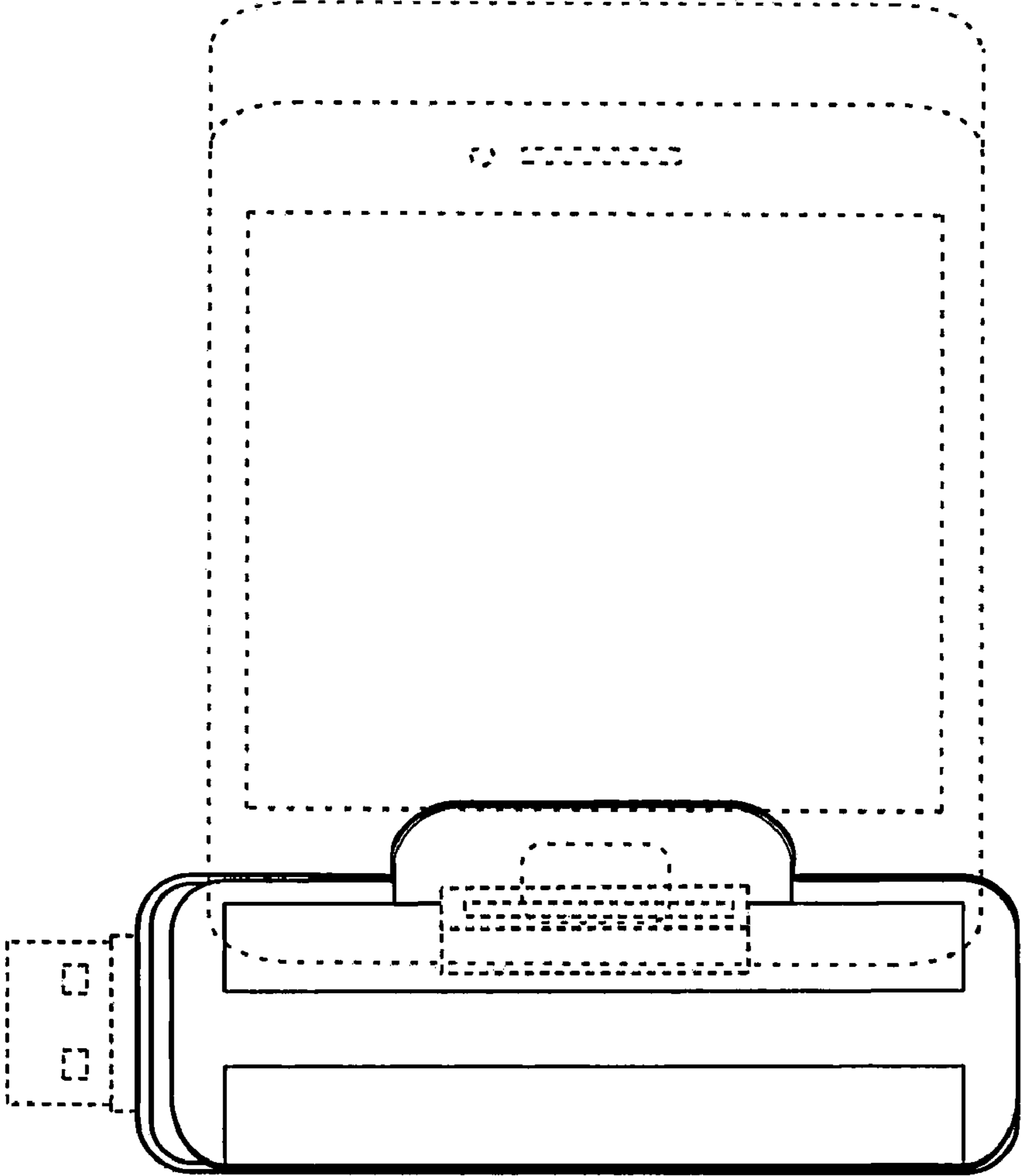


Figure 2

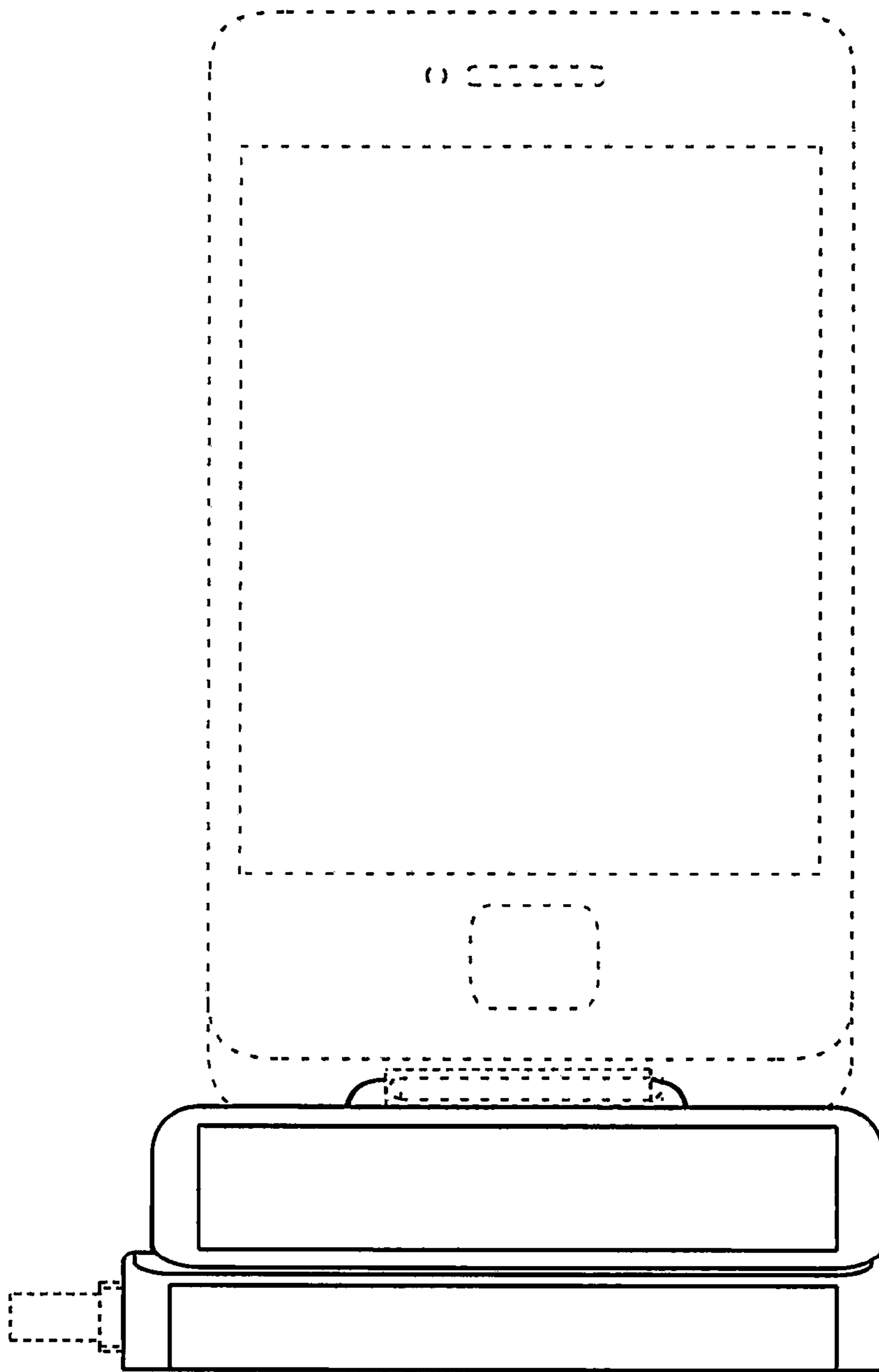


Figure 3

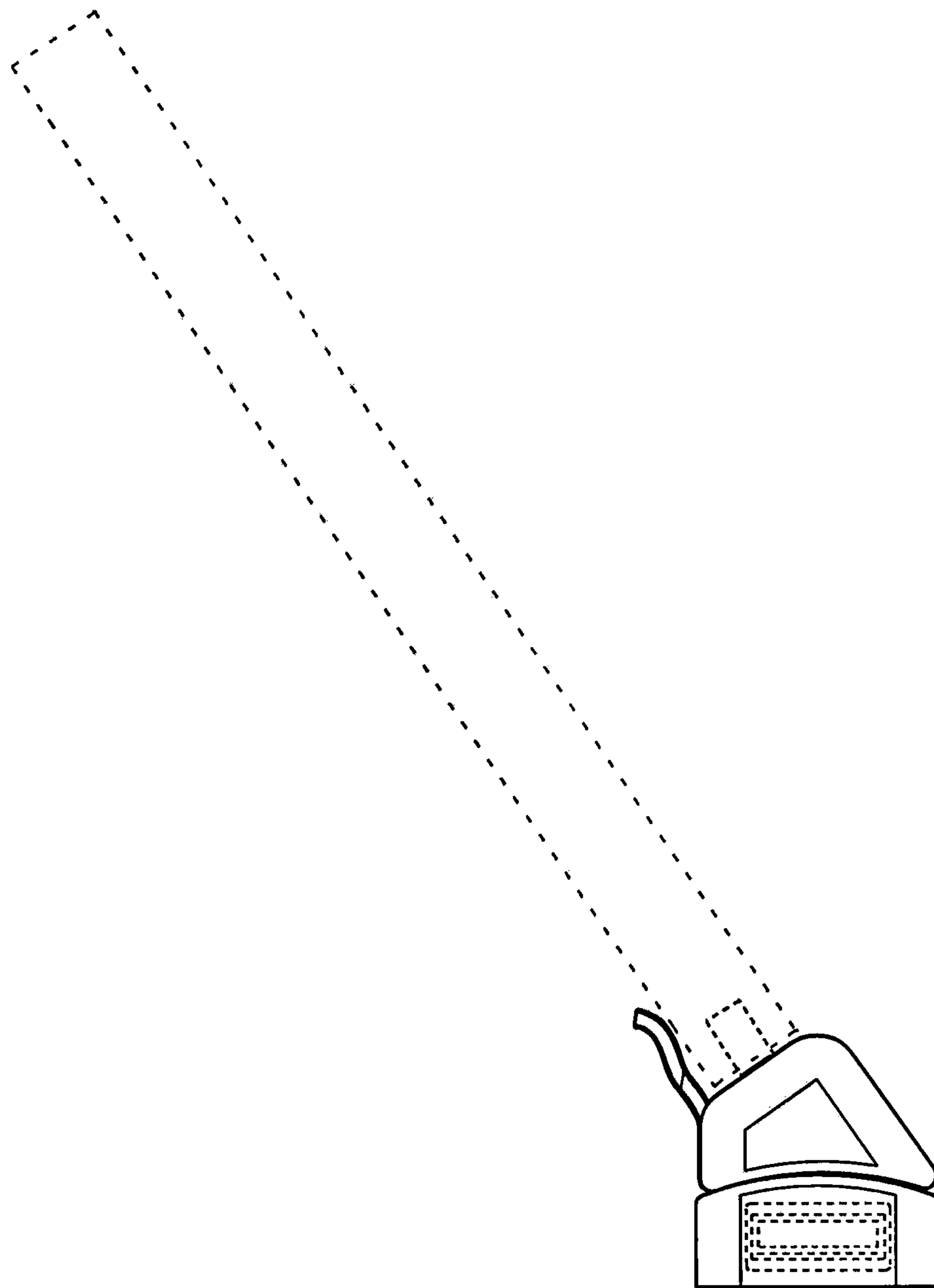


Figure 4

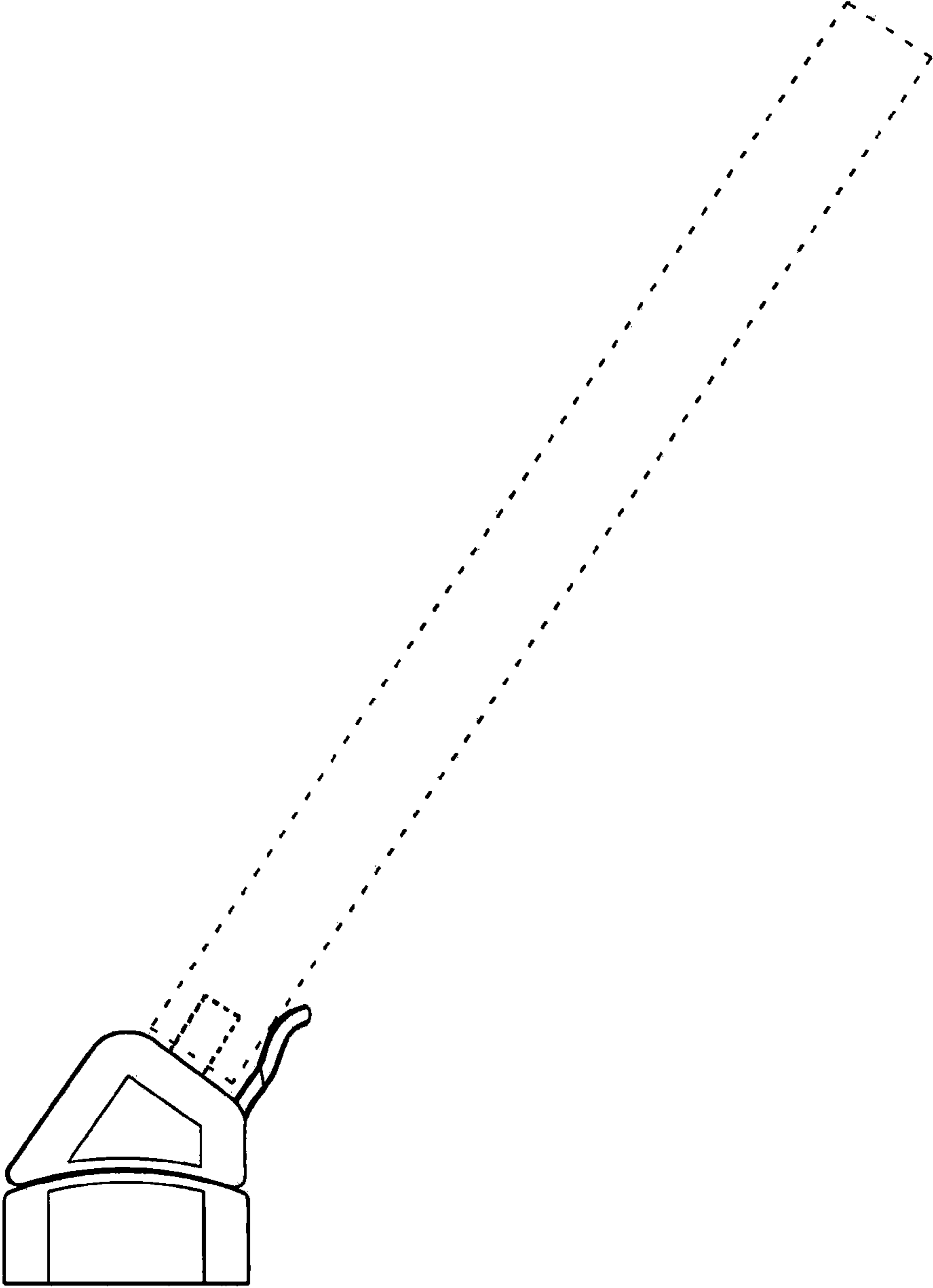


Figure 5

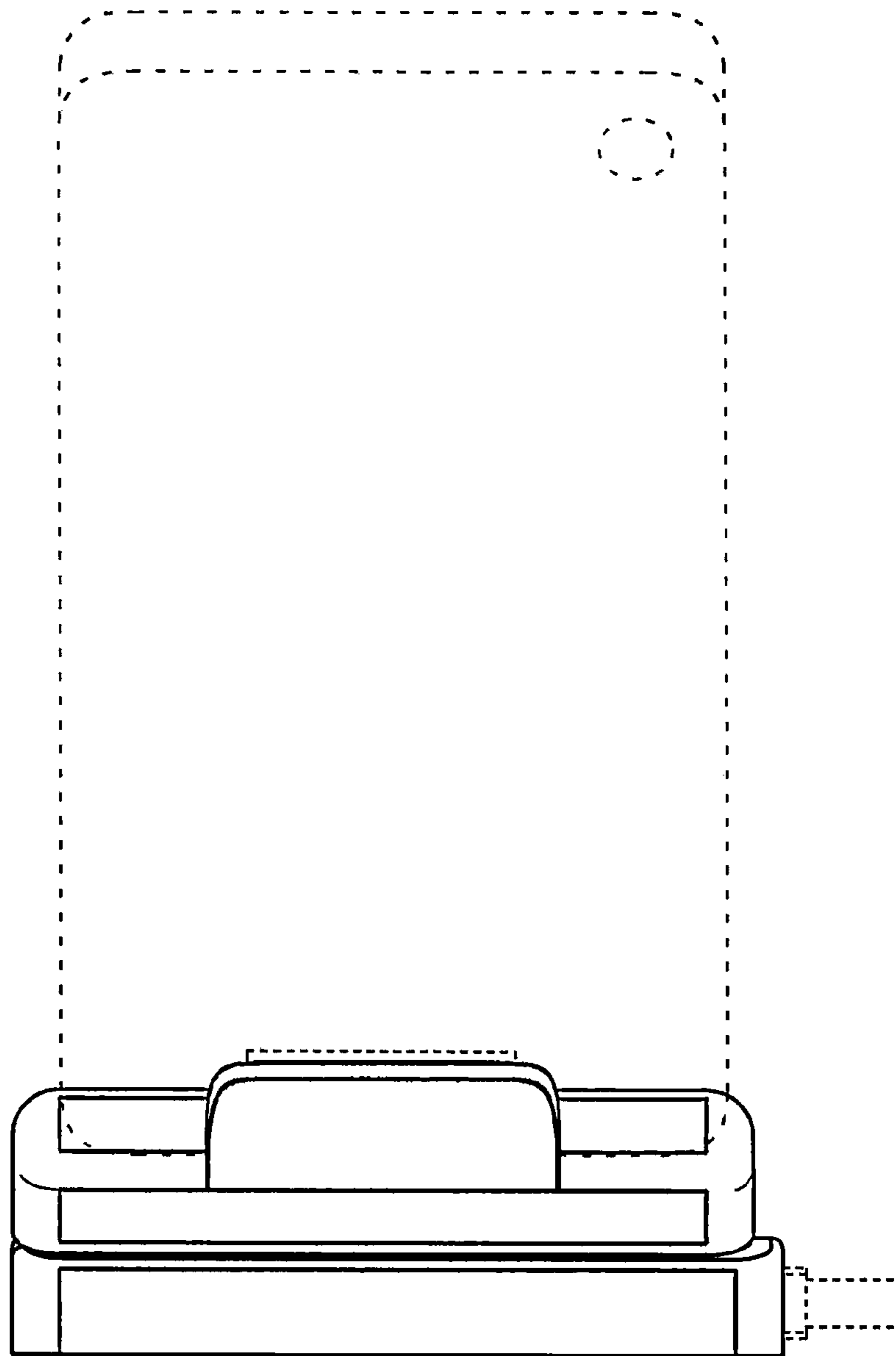


Figure 6

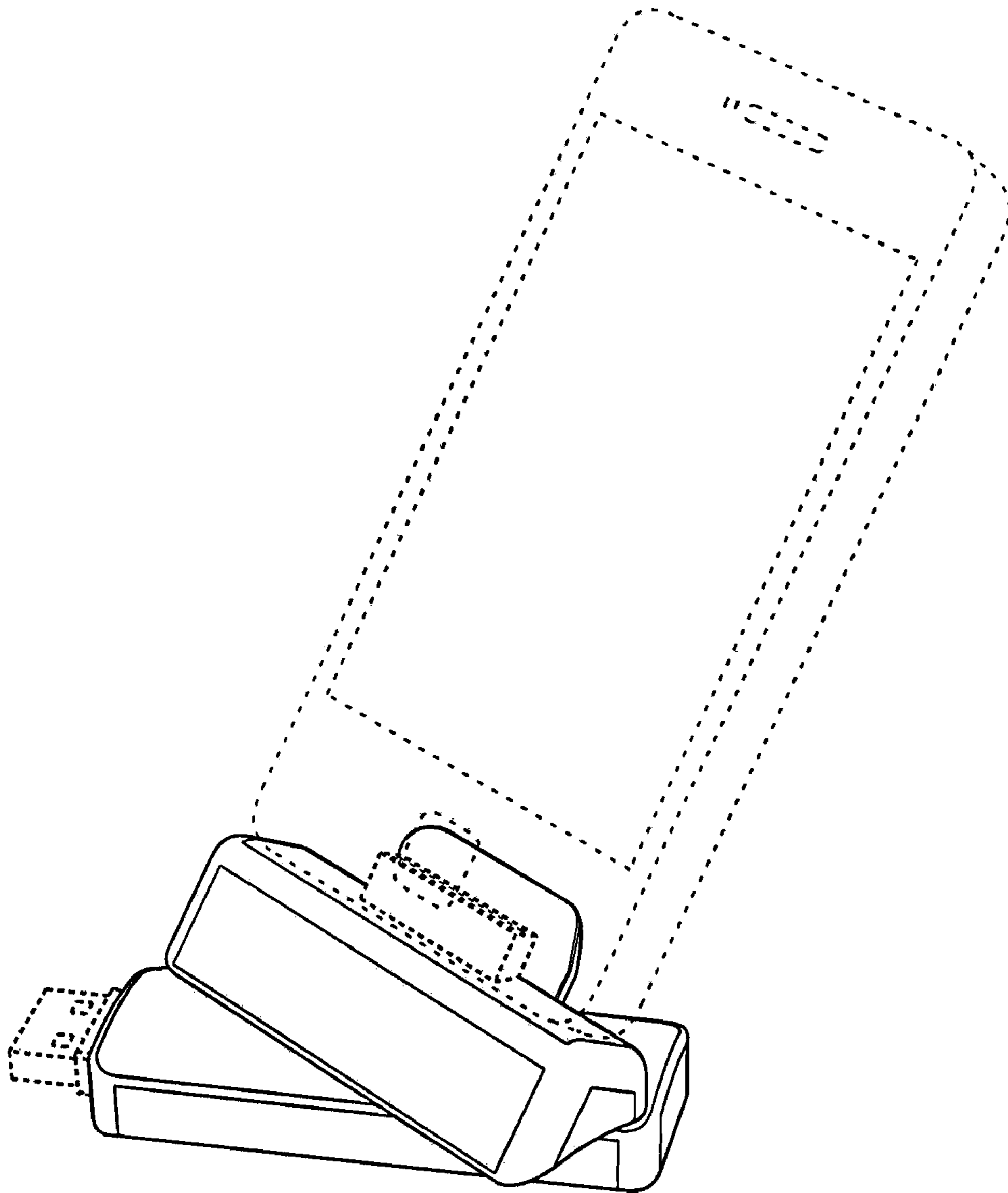


Figure 7