



US00D678261S

(12) **United States Design Patent**
Akana et al.

(10) **Patent No.:** **US D678,261 S**
(45) **Date of Patent:** **** Mar. 19, 2013**

(54) **FRONT COVER OF AN ELECTRONIC DEVICE**

(75) Inventors: **Jody Akana**, San Francisco, CA (US); **Bartley K. Andre**, Menlo Park, CA (US); **Jeremy Bataillou**, San Francisco, CA (US); **Daniel J. Coster**, San Francisco, CA (US); **Daniele De Iuliis**, San Francisco, CA (US); **Richard Hung Minh Dinh**, San Jose, CA (US); **Evans Hankey**, San Francisco, CA (US); **Richard P. Howarth**, San Francisco, CA (US); **Jonathan P. Ive**, San Francisco, CA (US); **Steve Jobs**, Palo Alto, CA (US); **Duncan Robert Kerr**, San Francisco, CA (US); **Scott A. Myers**, San Francisco, CA (US); **Shin Nishibori**, Kailua, HI (US); **David A. Pakula**, San Francisco, CA (US); **Matthew Dean Rohrbach**, San Francisco, CA (US); **Peter Russell-Clarke**, San Francisco, CA (US); **Christopher J. Stringer**, Woodside, CA (US); **Eugene Antony Whang**, San Francisco, CA (US); **Tang Yew Tan**, San Francisco, CA (US); **Rico Zorkendorfer**, San Francisco, CA (US)

(73) Assignee: **Apple Inc.**, Cupertino, CA (US)

(**) Term: **14 Years**

(21) Appl. No.: **29/426,218**

(22) Filed: **Jul. 2, 2012**

Related U.S. Application Data

(63) Continuation of application No. 29/376,156, filed on Oct. 1, 2010, now Pat. No. Des. 662,922.

(51) **LOC (9) Cl.** **14-03**

(52) **U.S. Cl.** **D14/250**

(58) **Field of Classification Search** D3/201, D3/215, 218, 269, 273, 294; D14/140, 142, D14/203.3, 217, 218, 240, 242, 250-253,

D14/299, 358, 440, 450; D13/103, 107, D13/108.119; 220/4.02; 224/119, 191, 240, 224/241, 245, 682, 683; 248/309.1; 361/679.3, 361/679.56; 379/454, 455; 455/575.1, 575.6, 455/575.7, 575.8, 575.9; 190/100; 206/305, 206/320

See application file for complete search history.

(56) **References Cited**

U.S. PATENT DOCUMENTS

4,791,608 A 12/1988 Fushimoto
(Continued)

FOREIGN PATENT DOCUMENTS

EM 000569157-0005 9/2006

OTHER PUBLICATIONS

Co-pending U.S. Appl. No. 29/363,167, Inventors Jody Akana, et al., filed Jun. 5, 2010 (Not published).

(Continued)

Primary Examiner — Raphael Barkai
Assistant Examiner — Randall Gholson

(74) *Attorney, Agent, or Firm* — Sterne, Kessler, Goldstein & Fox PLLC

(57) **CLAIM**

The ornamental design for a front cover of an electronic device, as shown and described.

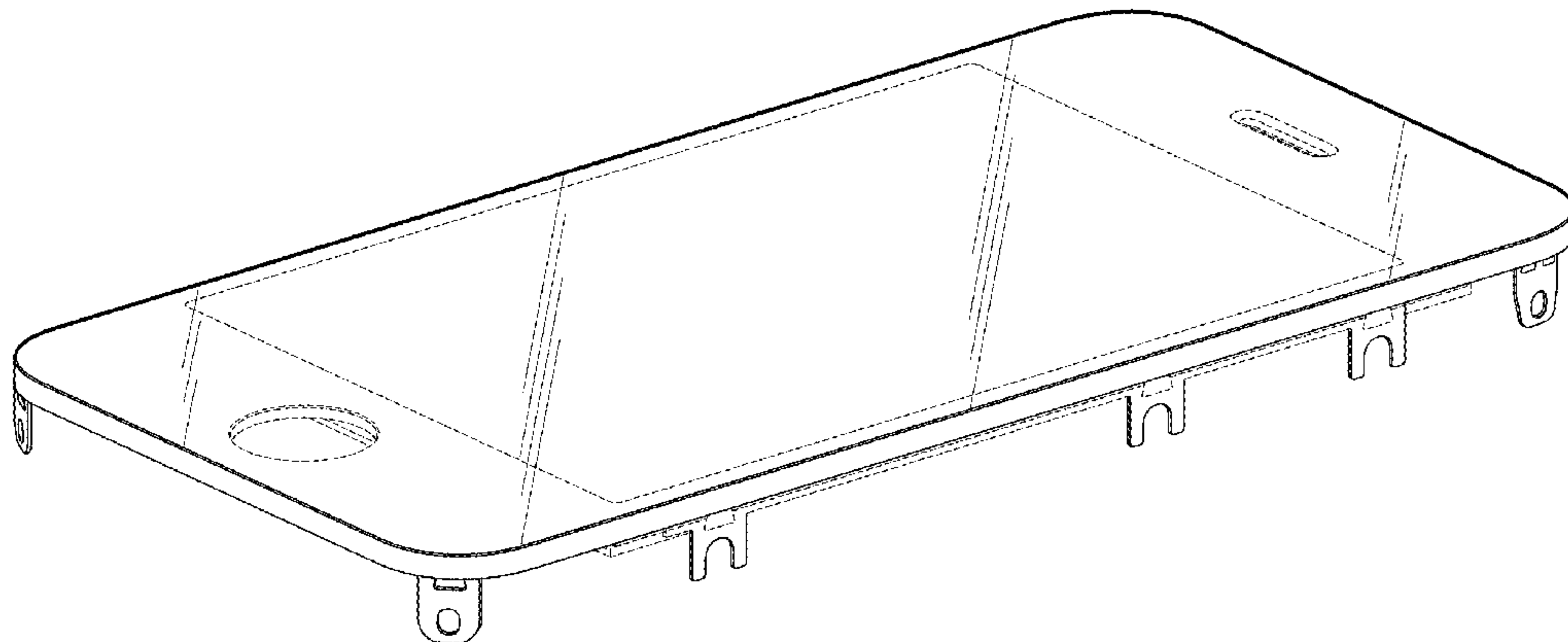
DESCRIPTION

FIG. 1 is a bottom front perspective view of a front cover of an electronic device showing our new design; FIG. 2 is a front view thereof; FIG. 3 is a rear view thereof; FIG. 4 is a left side view thereof; FIG. 5 is a right side view thereof; FIG. 6 is a bottom view thereof; and, FIG. 7 is a top rear perspective view thereof.

The shade lines in the Figures show transparency and not surface ornamentation.

The broken lines in the Figures show portions of the front cover of an electronic device which form no part of the claimed design.

1 Claim, 6 Drawing Sheets



US D678,261 S

Page 2

U.S. PATENT DOCUMENTS

D304,448 S	11/1989	De La Cruz et al.	
D306,583 S	3/1990	Krolopp et al.	
D345,346 S	3/1994	Alfonso et al.	
D485,265 S	1/2004	Sato et al.	
D498,754 S	11/2004	Blyth	
D528,542 S	9/2006	Luminosu et al.	
D534,143 S	12/2006	Lheem	
D535,281 S	1/2007	Yang	
D539,815 S	4/2007	Lai et al.	
D548,732 S	8/2007	Cebe et al.	
7,303,424 B2	12/2007	Tu et al.	
D558,726 S	1/2008	Wang et al.	
D560,683 S	1/2008	Lee	
D561,782 S	2/2008	Kim	
D562,285 S	2/2008	Lim	
D563,432 S	3/2008	Kim	
D567,819 S	4/2008	Devericks et al.	
D569,629 S	5/2008	Yu et al.	
7,409,059 B2	8/2008	Fujisawa	
D580,387 S	11/2008	Andre et al.	
D581,385 S	11/2008	Park et al.	
D581,922 S	12/2008	Andre et al.	
D583,346 S	12/2008	Jung et al.	
D586,387 S	2/2009	Aznoe et al.	
D593,087 S	5/2009	Andre et al.	
D602,014 S	10/2009	Andre et al.	
D602,015 S	10/2009	Andre et al.	
D602,488 S	10/2009	Jiang et al.	
7,660,560 B2	2/2010	Zuo et al.	
D613,735 S	4/2010	Andre et al.	
D618,278 S	6/2010	Andre et al.	
7,796,381 B2 *	9/2010	Zuo et al.	361/679.57

7,855,884 B2 *	12/2010	Dong	361/679.58
7,876,274 B2	1/2011	Hobson et al.	
D633,493 S	3/2011	Akana et al.	
D633,908 S	3/2011	Akana et al.	
D656,495 S *	3/2012	Andre et al.	D14/250
8,241,777 B2 *	8/2012	Dong et al.	429/100
8,249,679 B2 *	8/2012	Cui et al.	455/575.8
8,254,104 B2 *	8/2012	Wu et al.	361/679.3
8,254,116 B2 *	8/2012	Wu et al.	361/679.56
8,254,118 B2 *	8/2012	Liu	361/679.58
8,256,612 B1 *	9/2012	Wang	206/320
8,259,443 B2 *	9/2012	Wu et al.	361/679.56
2004/0223004 A1	11/2004	Lincke et al.	
2005/0130715 A1	6/2005	Fujisawa	
2007/0082718 A1	4/2007	Yoon et al.	
2009/0067141 A1	3/2009	Dabov et al.	
2009/0245565 A1	10/2009	Mittleman et al.	
2009/0247244 A1	10/2009	Mittleman et al.	
2010/0105452 A1	4/2010	Shin et al.	

OTHER PUBLICATIONS

Co-pending U.S. Appl. No. 29/379,707, Inventors Jody Akana, et al., filed Nov. 23, 2010 (Not published).

Co-pending U.S. Appl. No. 29/385,079, Inventors Jody Akana et al., filed Feb. 8, 2011 (Not published).

HP Compaq Tablet PC TC1000, <http://www.hardwarezone.com.au/reviews/view.php?cid=45&id=533&pg=2>. Downloaded Apr. 20, 2010, 1page. (Updated URL: http://2009.hardwarezone.com/img/data/articles/20002/533/Evo_JamesHand01.jpg).

* cited by examiner

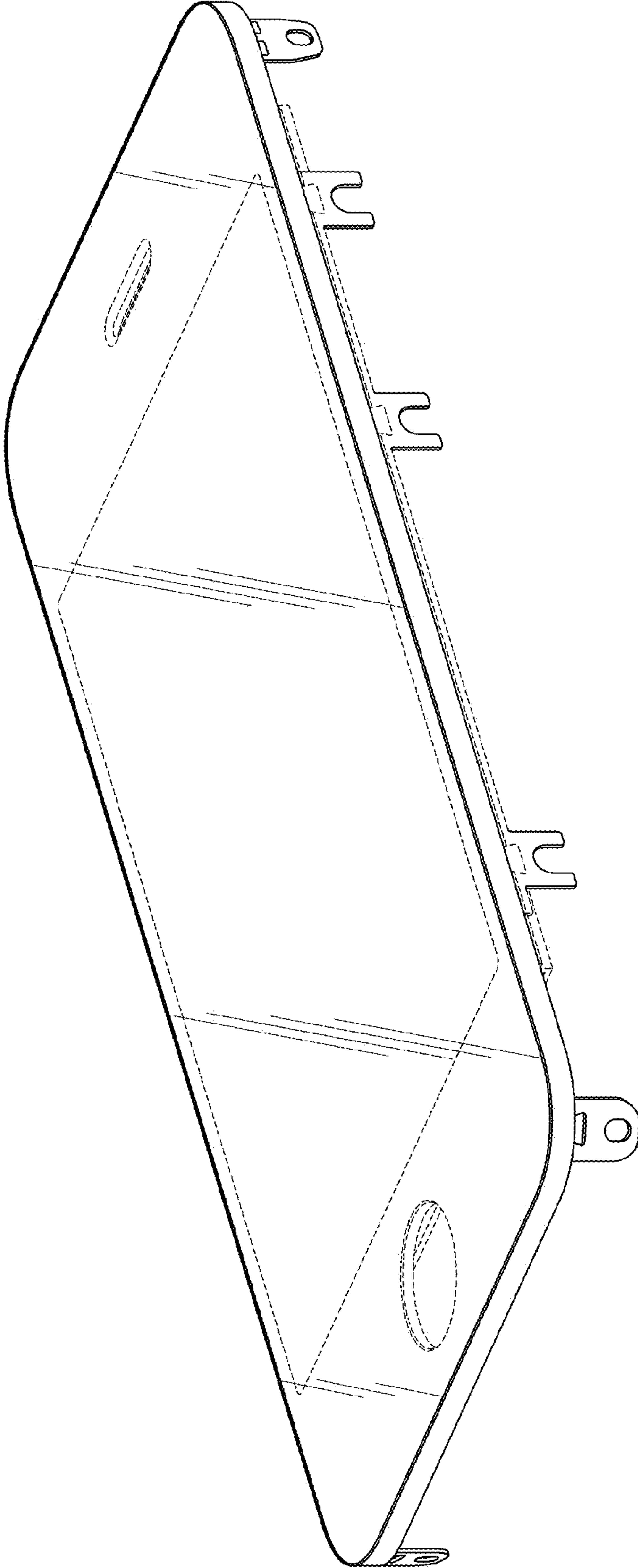


FIG. 1

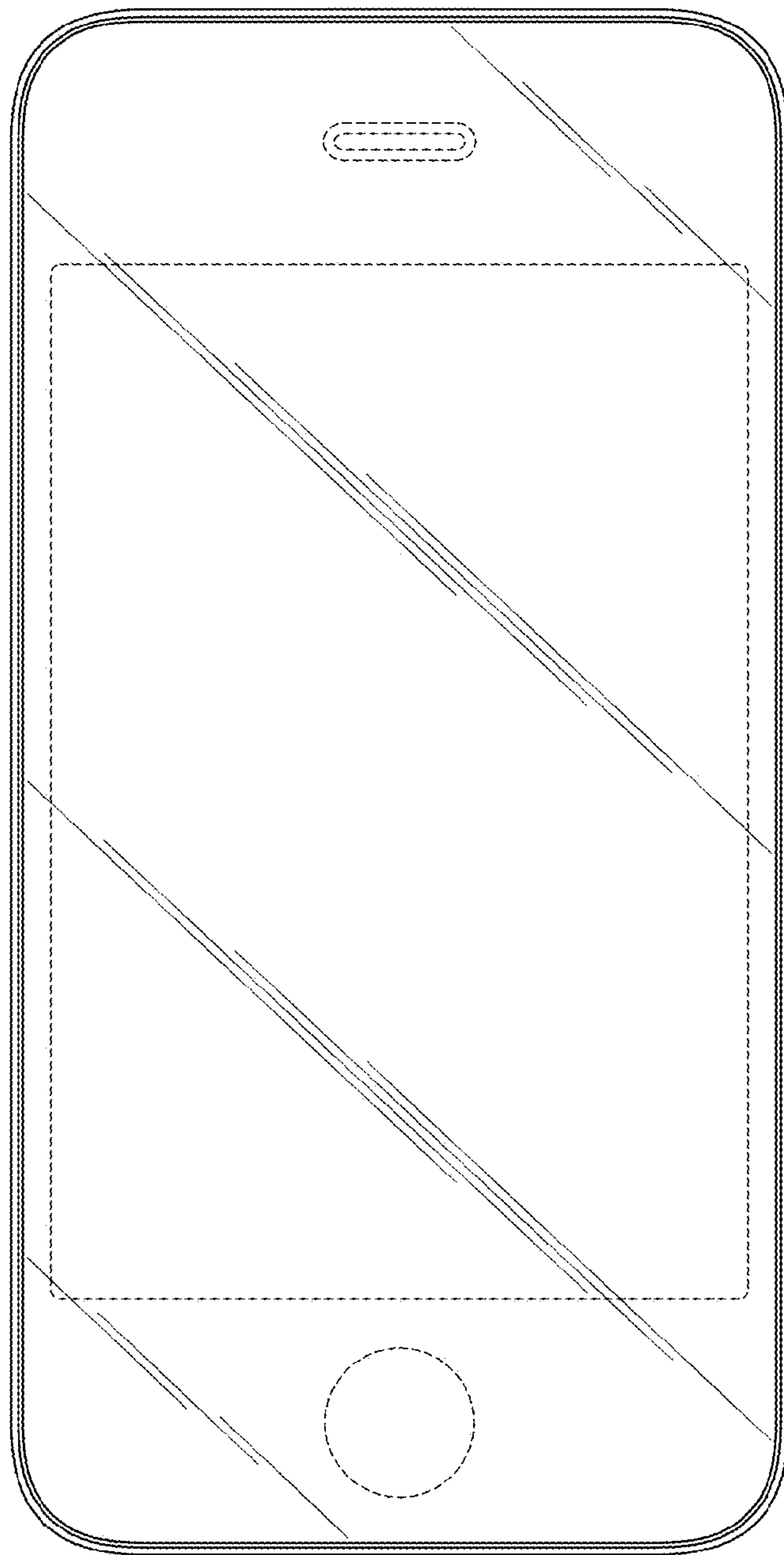


FIG. 2

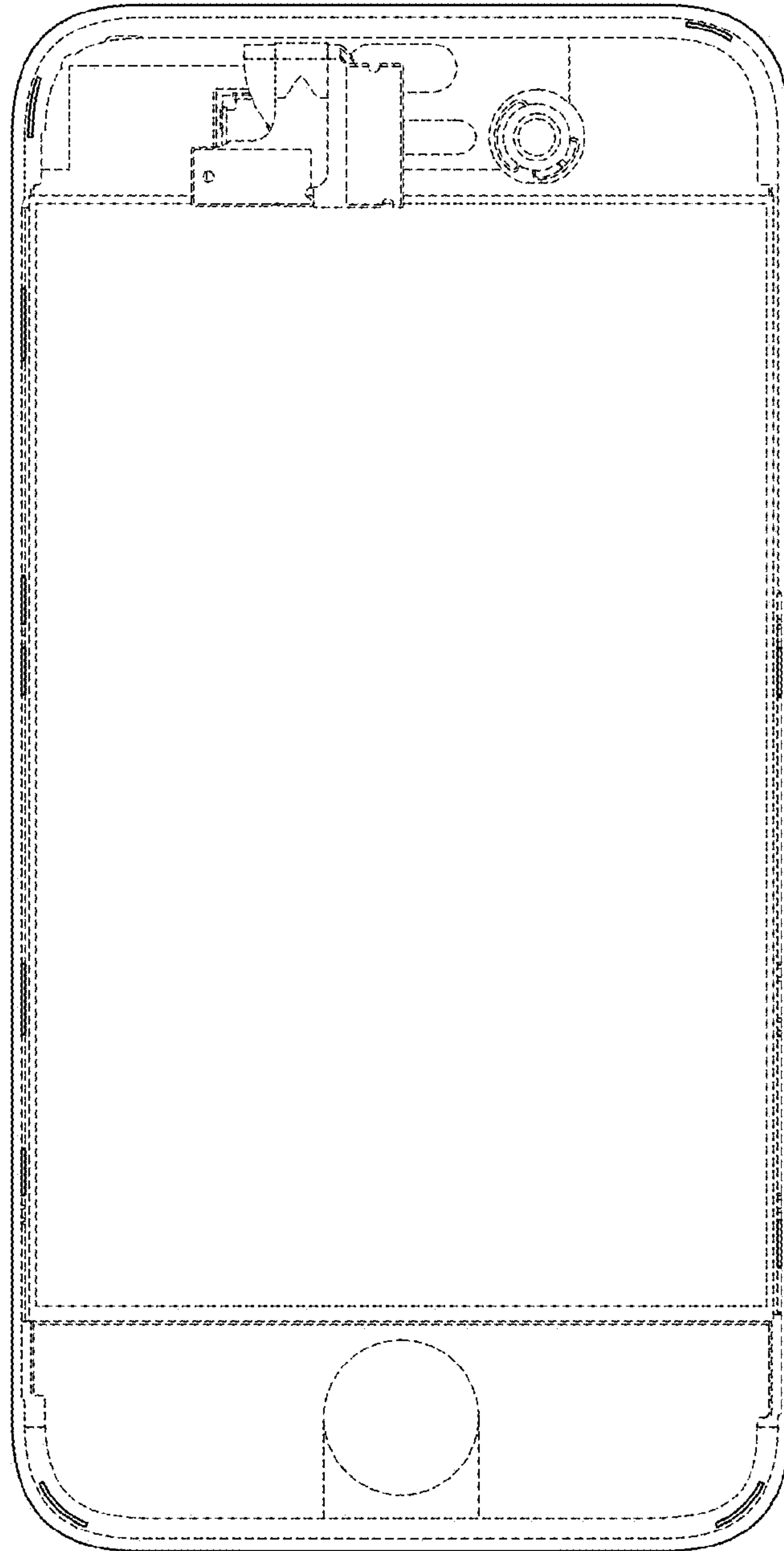


FIG. 3

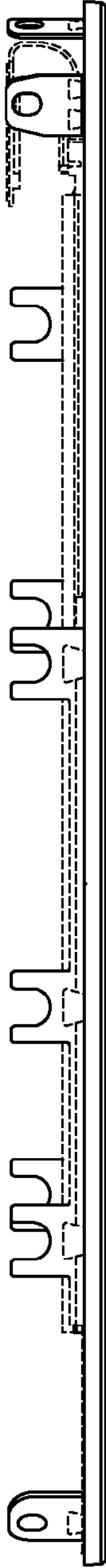


FIG. 4

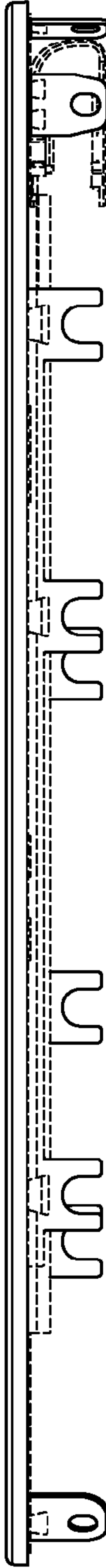


FIG. 5

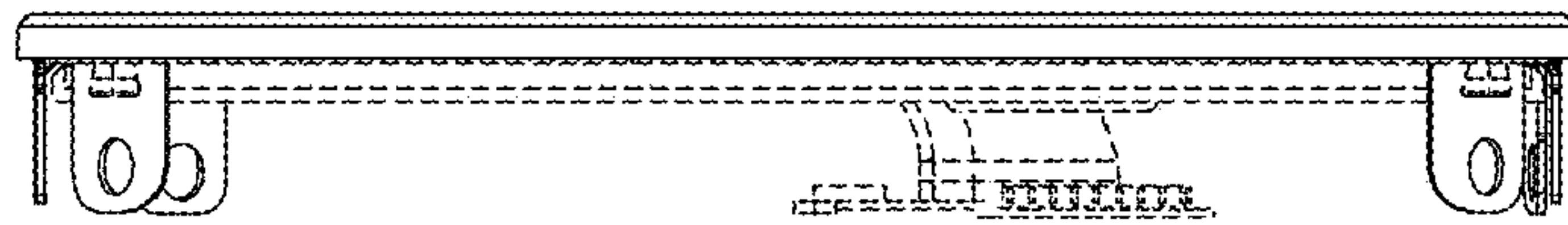


FIG. 6

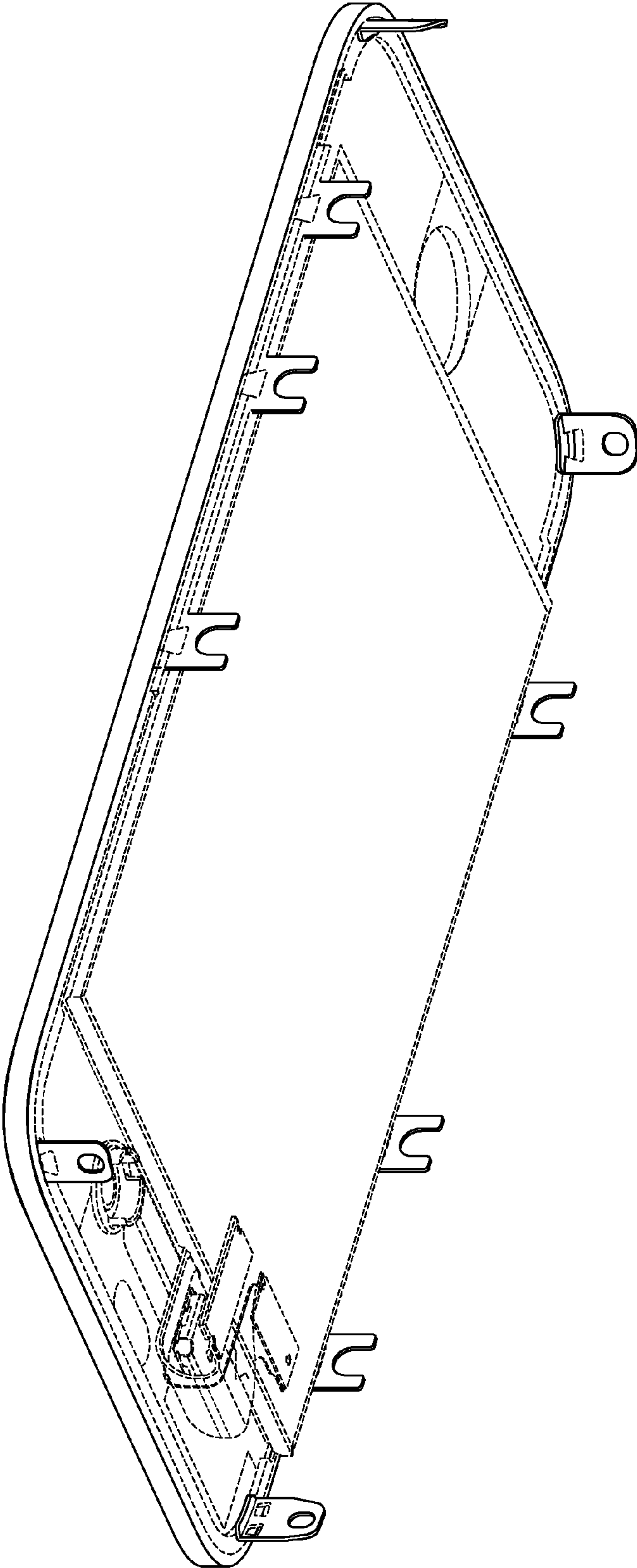


FIG. 7