



US00D678260S

(12) **United States Design Patent**
Bau

(10) **Patent No.:** **US D678,260 S**
(45) **Date of Patent:** **** *Mar. 19, 2013**

(54) **COMBINATION OF PROTECTIVE CASING AND STAND FOR PORTABLE HANDHELD ELECTRONIC DEVICE**

Primary Examiner — Raphael Barkai
Assistant Examiner — Randall H Gholson
(74) *Attorney, Agent, or Firm* — Liu & Liu

(75) Inventor: **Chi Vun Steven Bau**, Kowloon (HK)

(73) Assignee: **Switcheasy Limited**, Kowloon (HK)

(*) Notice: This patent is subject to a terminal disclaimer.

(**) Term: **14 Years**

(21) Appl. No.: **29/404,857**

(22) Filed: **Oct. 26, 2011**

(30) **Foreign Application Priority Data**

Apr. 28, 2011 (HK) 1100728

(51) **LOC (9) Cl.** **14-03**

(52) **U.S. Cl.** **D14/250; D14/132**

(58) **Field of Classification Search** D14/239,
D14/125–134, 451–454, 224, 316, 375–377,
D14/432, 439, 447, 448, 455, 457, 469; D8/363,
D8/373, 349, 394; 248/278.1, 279.1, 514,
248/291.1, 125.1, 121, 124.1, 125.7, 276.1,
248/415, 284.1, 286.1, 281.11, 292.11, 181.2,
248/917–921, 126–128, 133, 178.1, 183.1,
248/183.2, 346.01, 346.03, 349.1, 371, 473,
248/474, 512; 348/825, 827, 836, 837; 600/443
See application file for complete search history.

(56) **References Cited**

U.S. PATENT DOCUMENTS

| | | | | | | |
|--------------|----|---|---------|--------------------|-------|-----------|
| D497,508 | S | * | 10/2004 | Dardashti | | D6/632 |
| D555,163 | S | * | 11/2007 | Beilstein et al. | | D14/451 |
| D557,259 | S | * | 12/2007 | Hirsch | | D14/217 |
| D563,960 | S | * | 3/2008 | Beilstein et al. | | D14/447 |
| D565,842 | S | * | 4/2008 | Falcone | | D3/294 |
| 7,350,642 | B2 | * | 4/2008 | Bjerregaard et al. | | 206/308.1 |
| D593,561 | S | * | 6/2009 | Sheba | | D14/435 |
| 2005/0155879 | A1 | * | 7/2005 | Hoogland | | 206/308.1 |
| 2005/0167302 | A1 | * | 8/2005 | Bjerregaard et al. | | 206/308.1 |

* cited by examiner

(57) **CLAIM**

The ornamental design for a combination of protective casing and stand for portable handheld electronic device, as shown and described.

DESCRIPTION

FIG. 1 is a perspective view of the combination of protective casing and stand for portable handheld electronic device in an opened state;

FIG. 2 is a top plan view thereof;

FIG. 3 is a left view thereof;

FIG. 4 is a bottom plan view thereof;

FIG. 5 is a right view thereof;

FIG. 6 is a rear view thereof;

FIG. 7 is a front view thereof;

FIG. 8 is a perspective view of the combination of protective casing and stand for portable handheld electronic device in a closed state;

FIG. 9 is a top plan view thereof;

FIG. 10 is a left view thereof;

FIG. 11 is a bottom plan view thereof;

FIG. 12 is right view thereof;

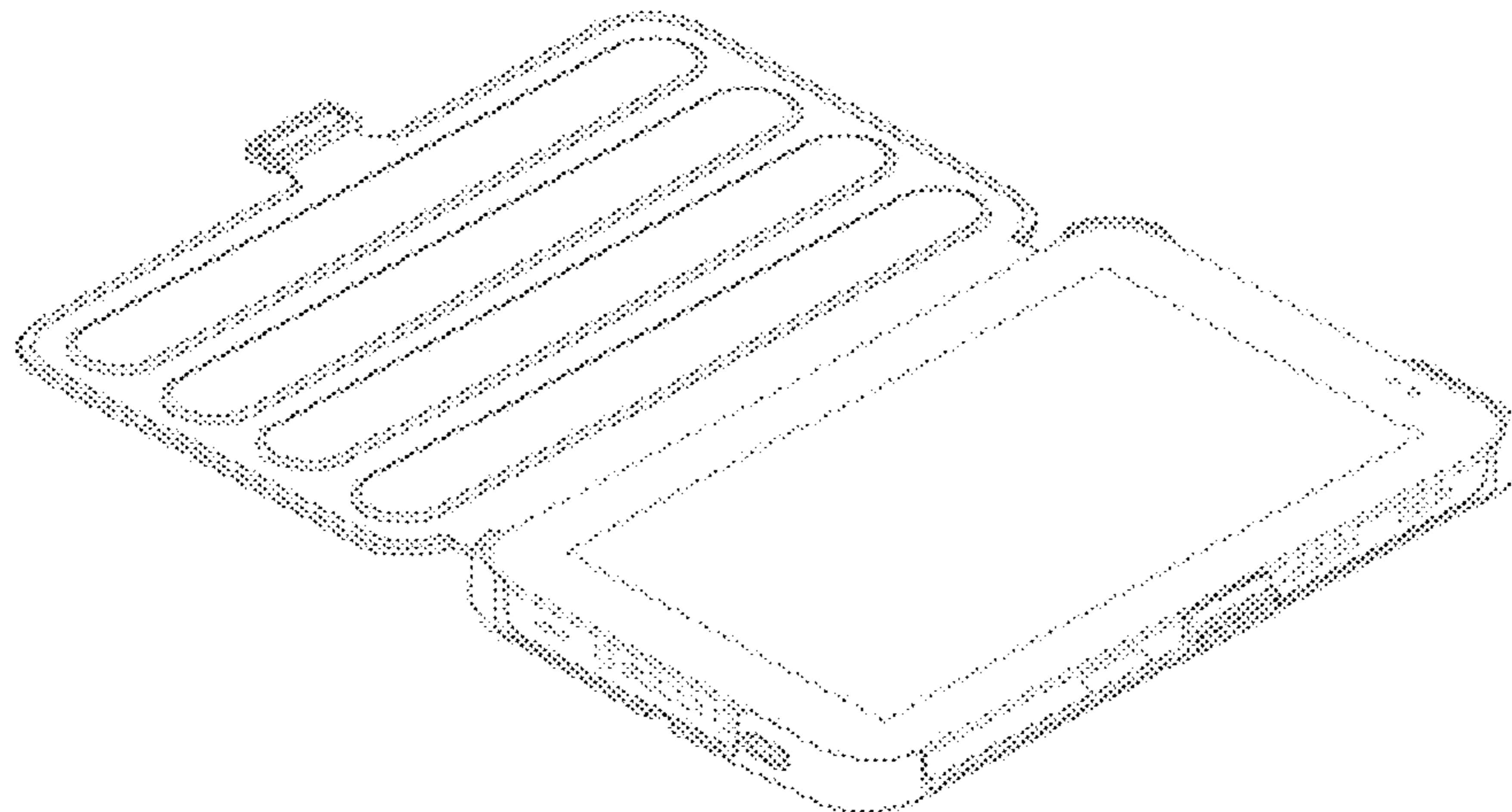
FIG. 13 is rear view thereof;

FIG. 14 is front view thereof;

FIG. 15 is a reference drawing illustrating insertion of an electronic device into the combination of protective casing and stand for portable handheld electronic device; and, FIG. 16 is a reference drawing illustrating an operational state in which the combination of protective casing and stand for portable handheld electronic device is used as a stand.

The electronic device shown in broken lines forms no part of the claimed design.

1 Claim, 10 Drawing Sheets



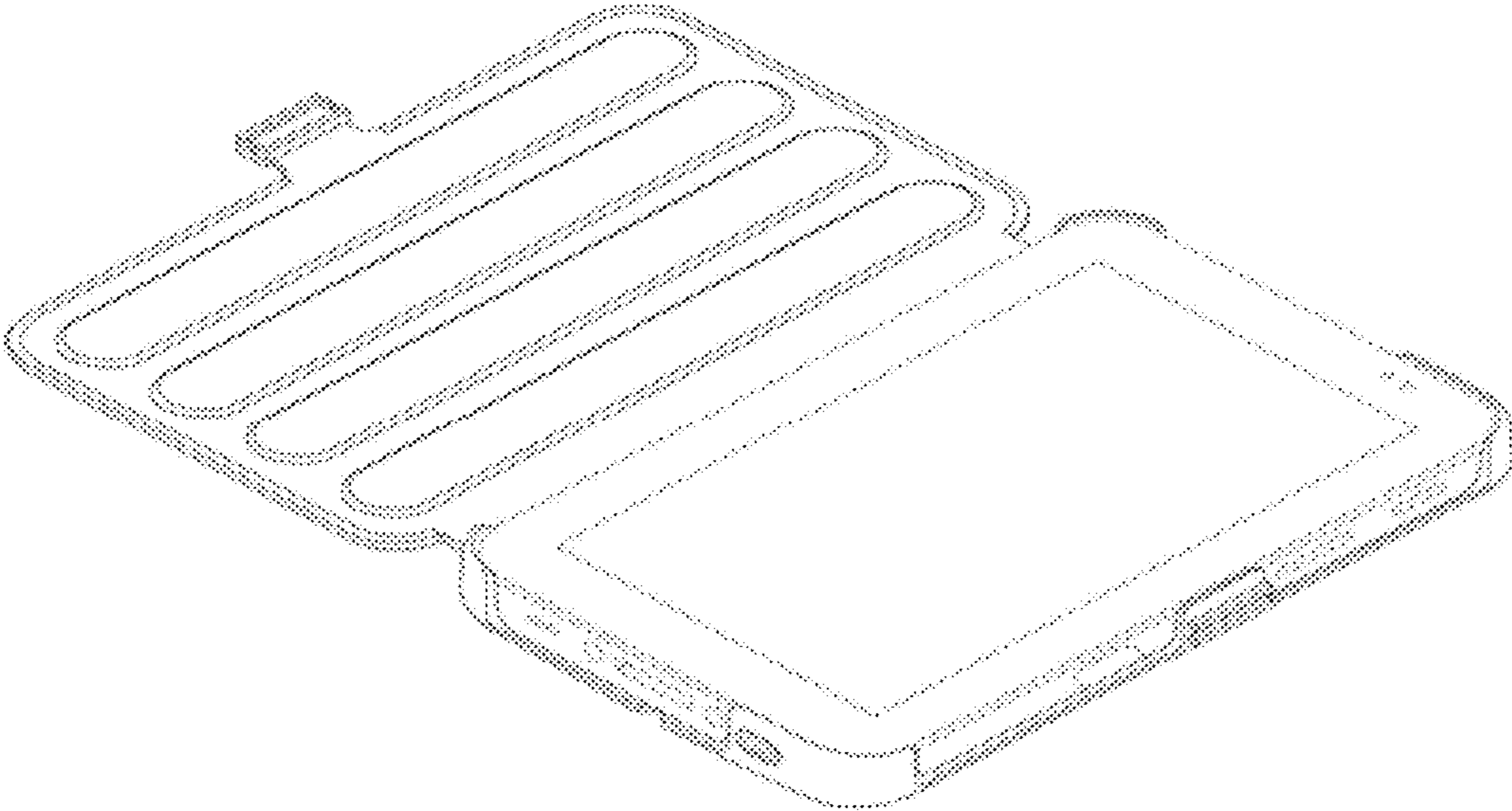


FIG. 1

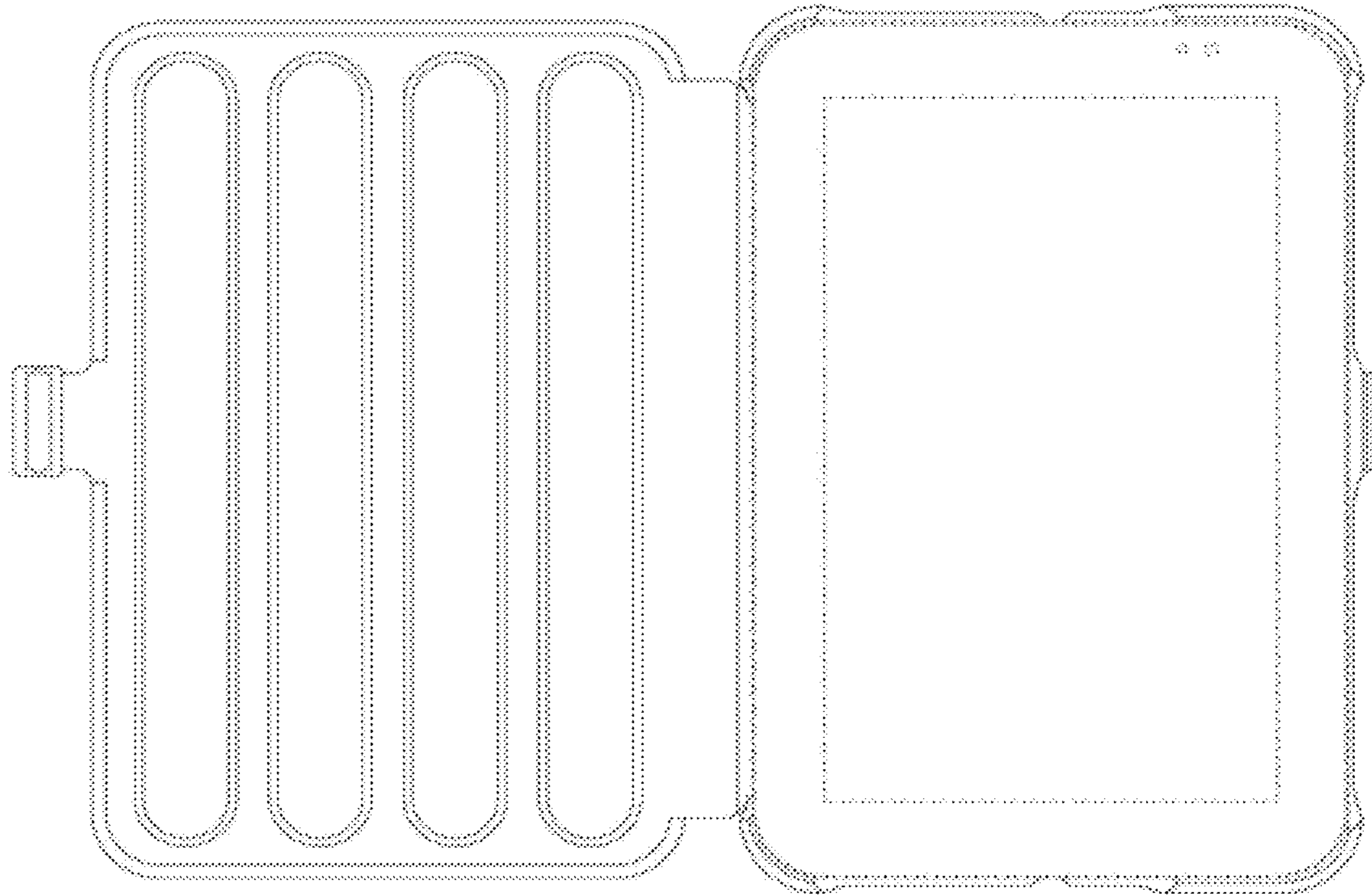


FIG. 2

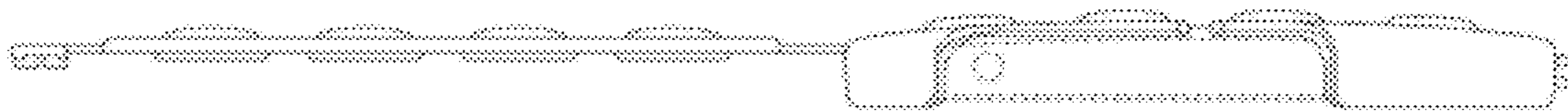


FIG. 3

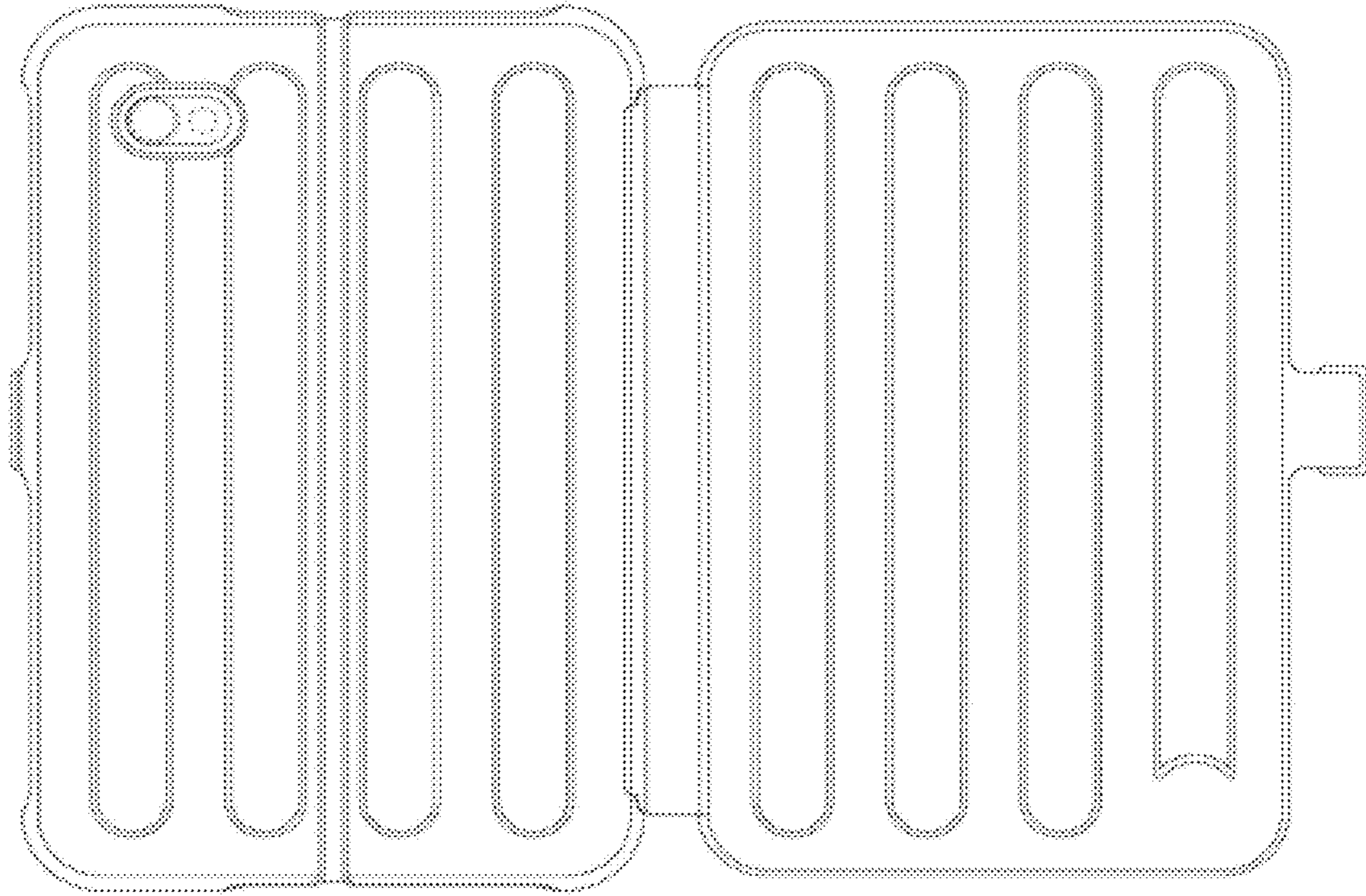


FIG. 4

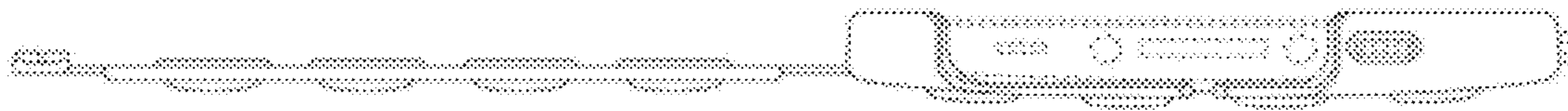


FIG. 5

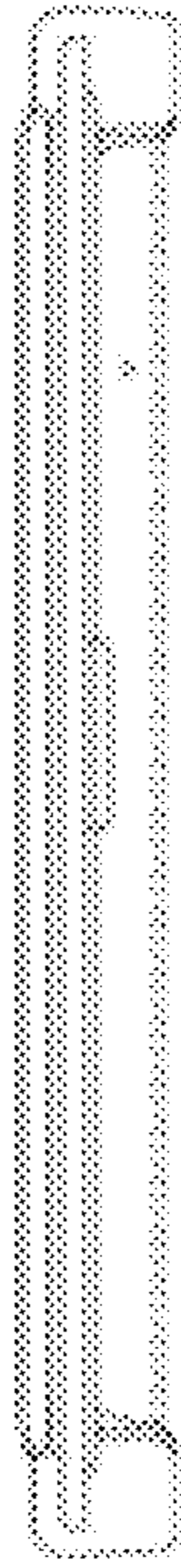


FIG. 6



FIG. 7

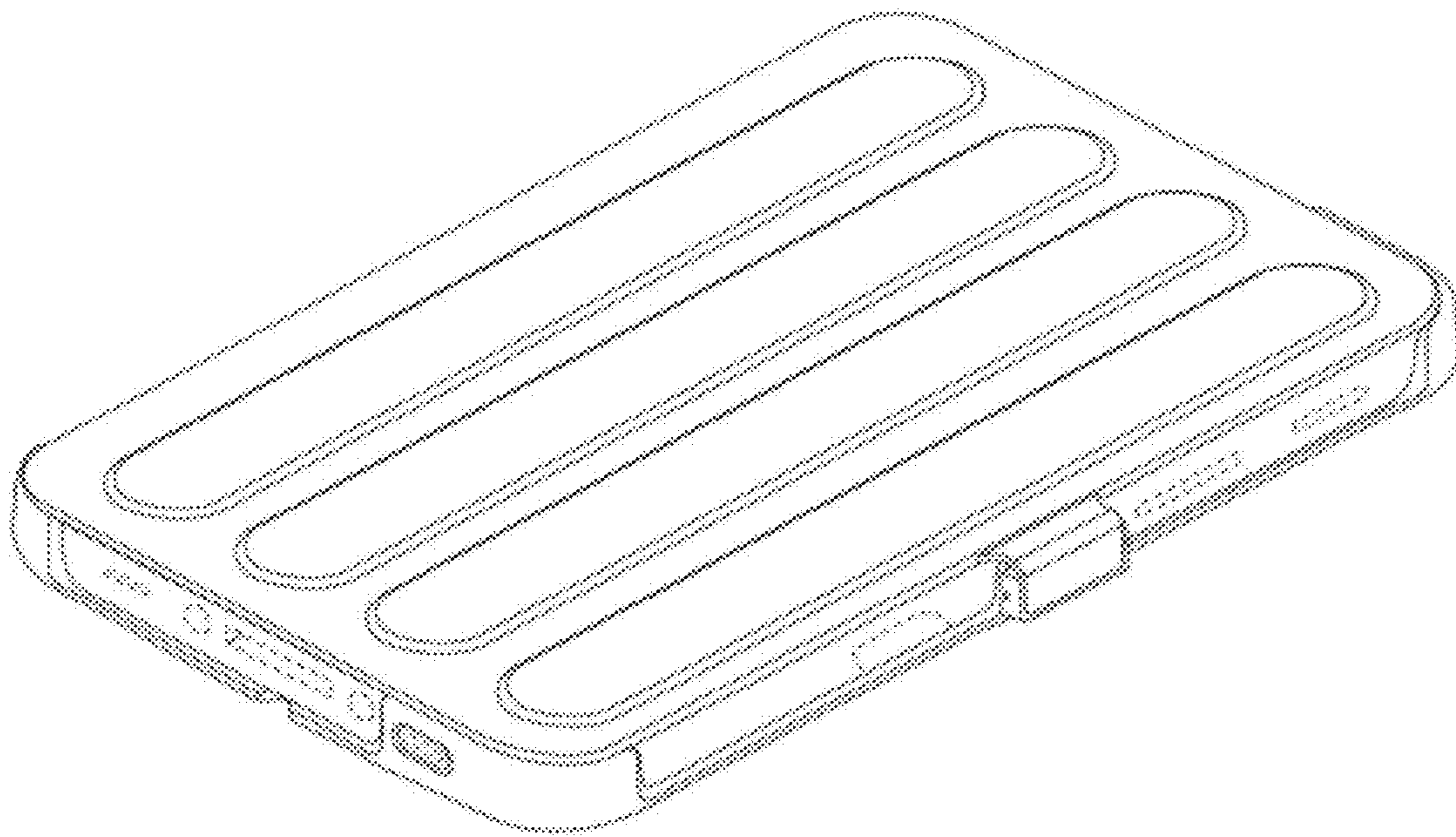


FIG. 8

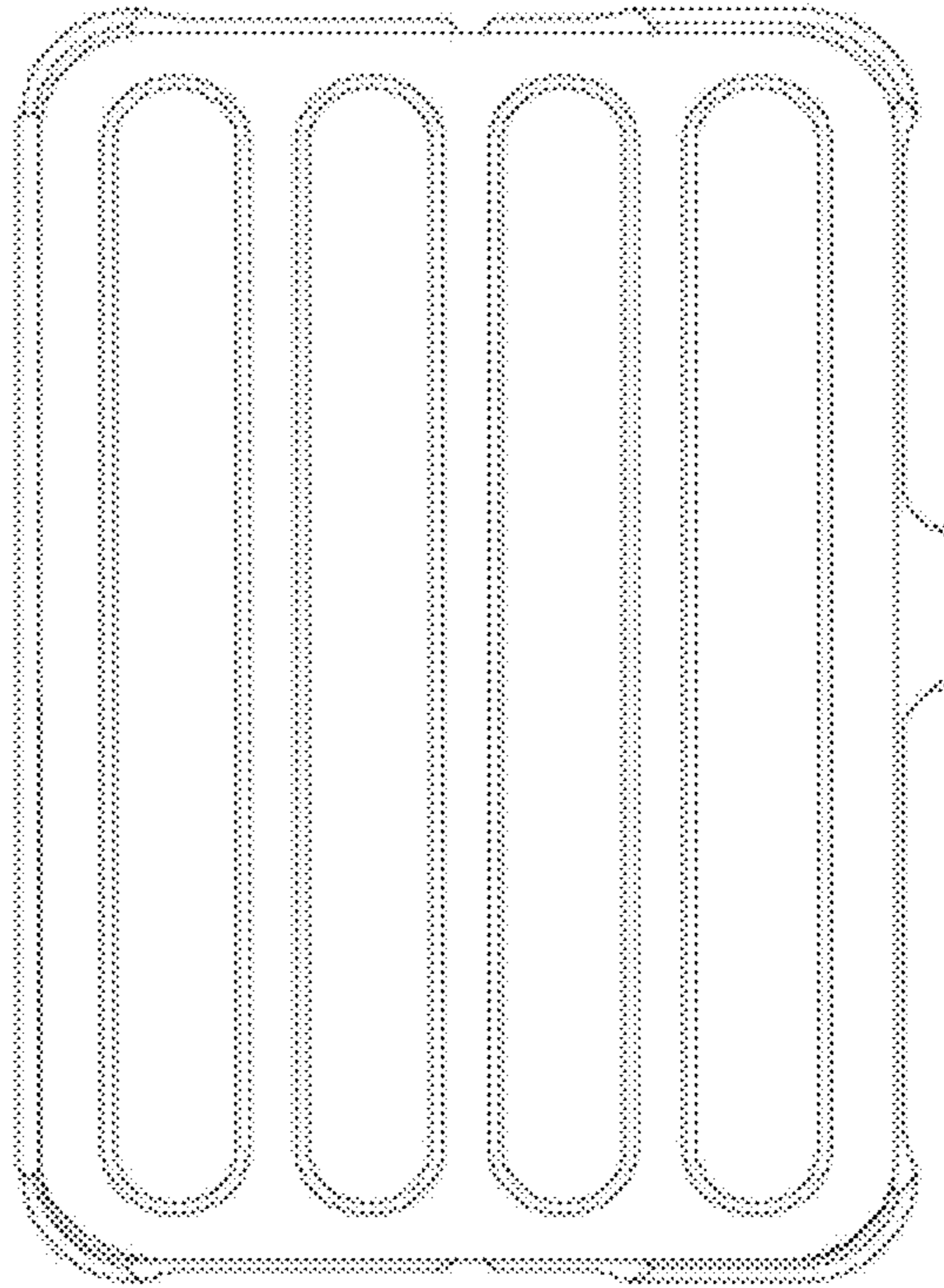


FIG. 9

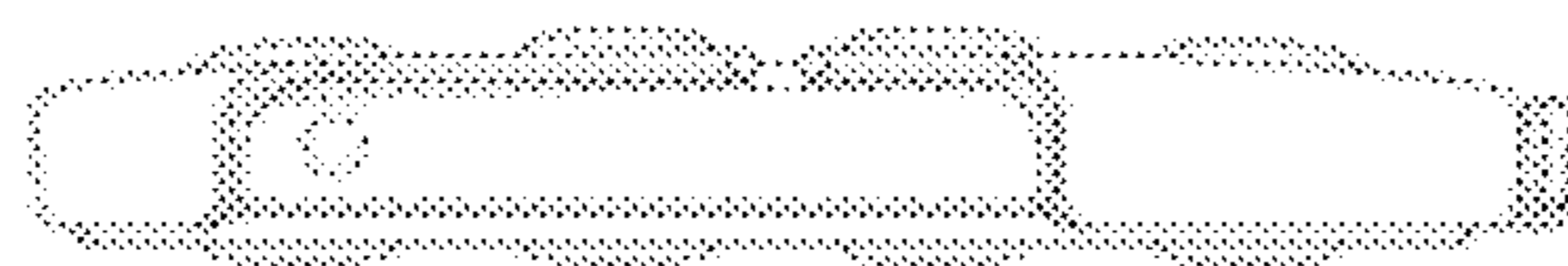


FIG. 10

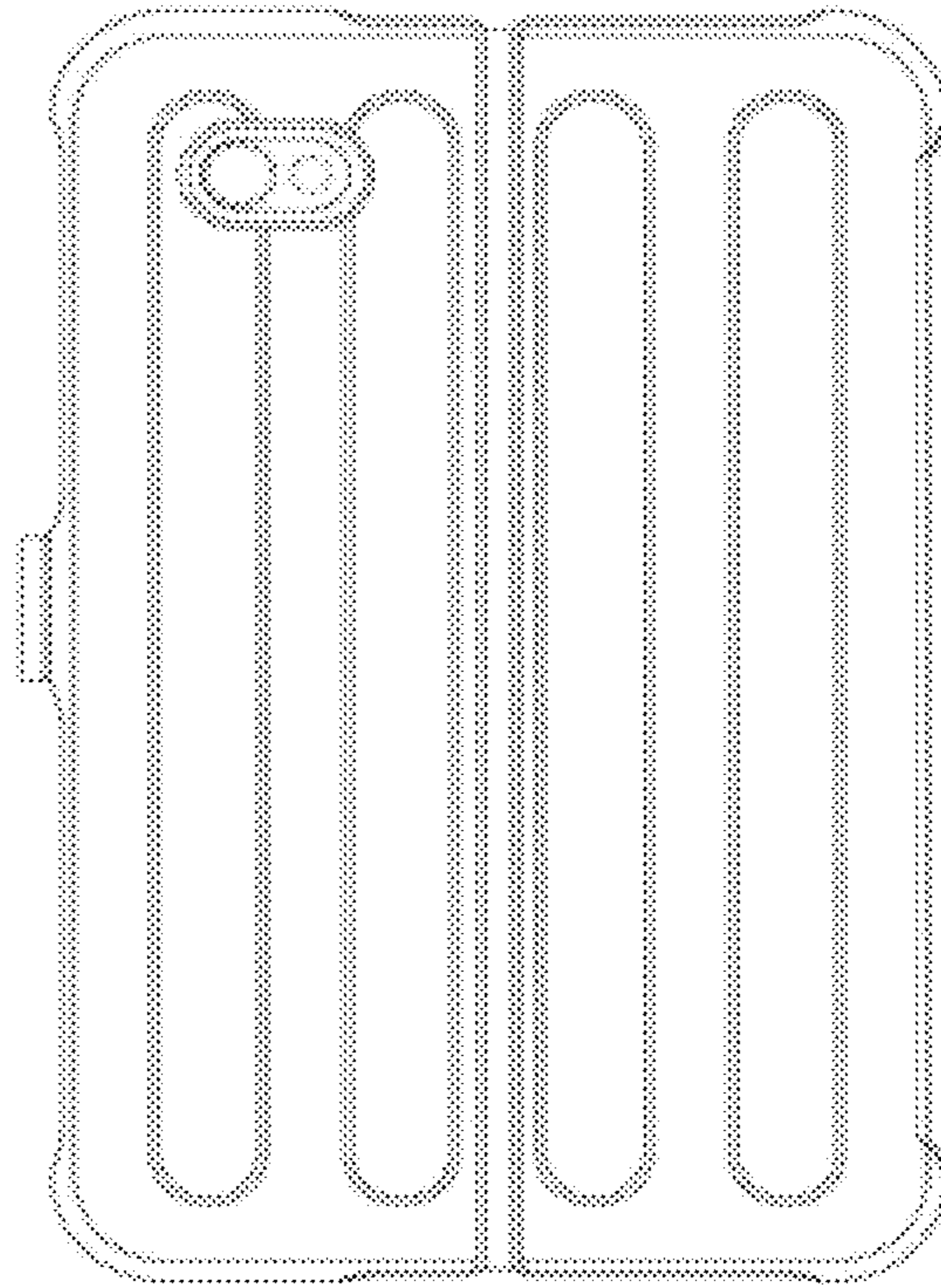


FIG. 11

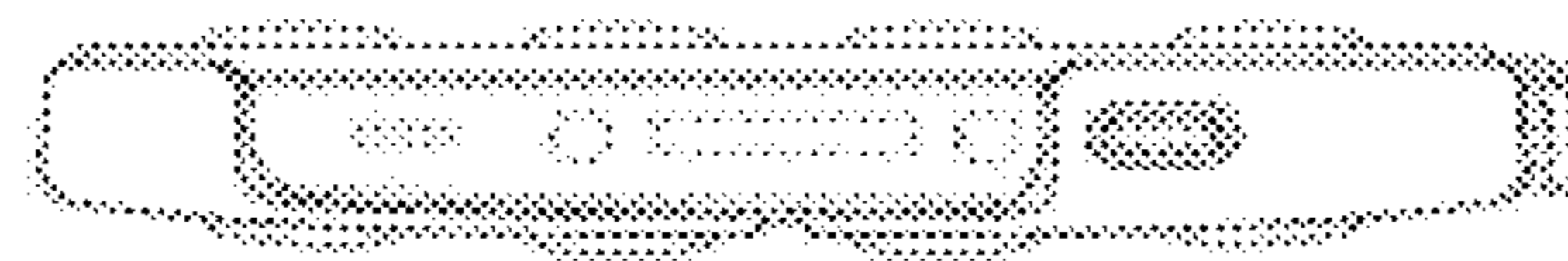


FIG. 12

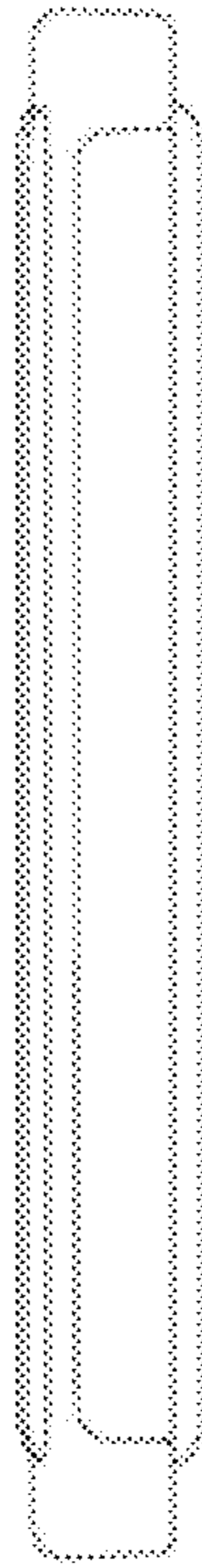


FIG. 13

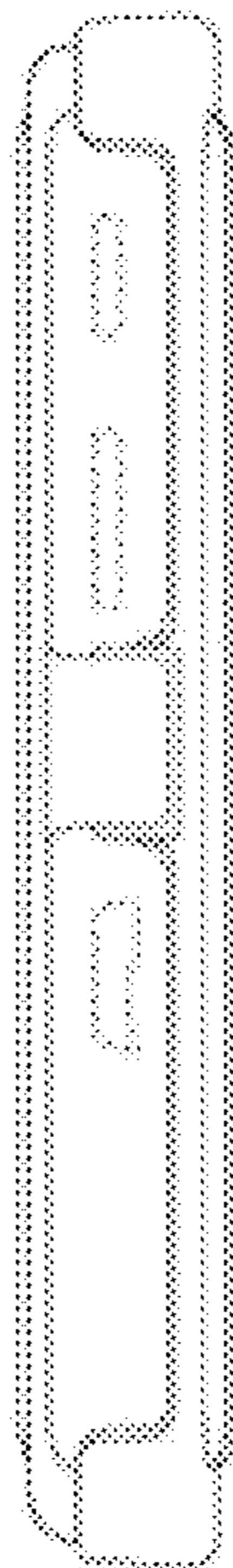


FIG. 14

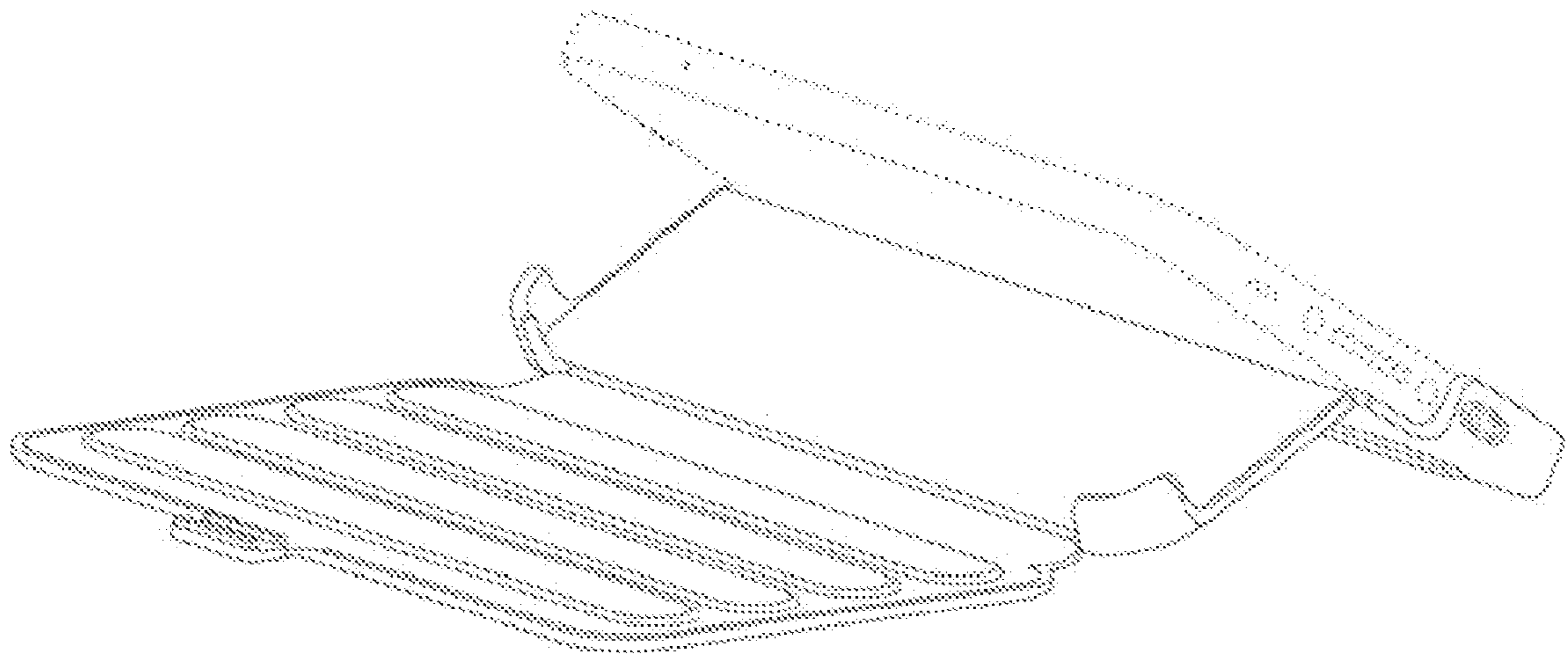


FIG. 15

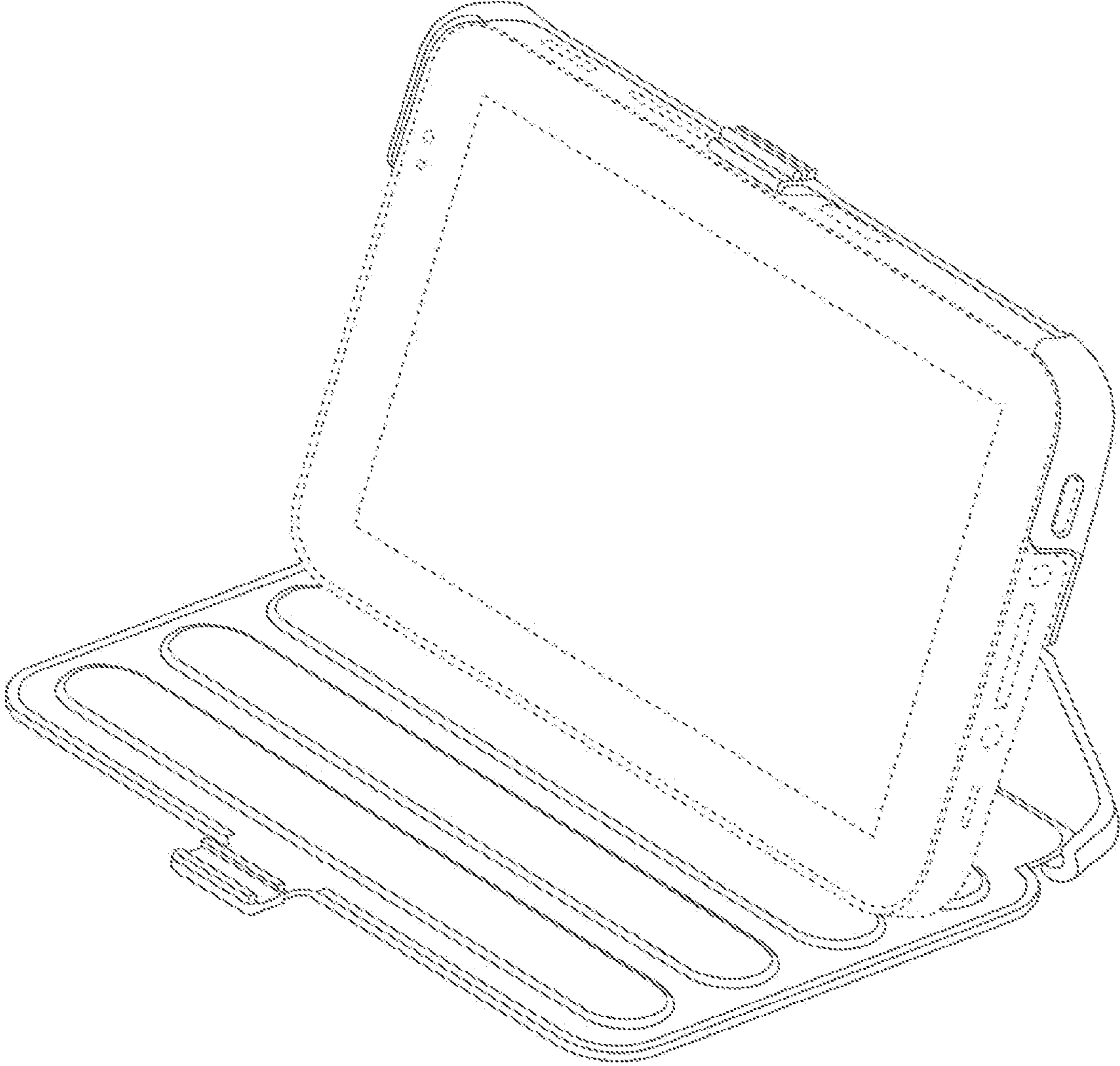


FIG. 16