



US00D678259S

(12) **United States Design Patent**  
**Moore et al.**

(10) **Patent No.:** **US D678,259 S**  
(45) **Date of Patent:** **\*\* Mar. 19, 2013**

(54) **ELECTRONIC DEVICE SHELL**  
(75) Inventors: **Shannon Tyler Moore**, Waterloo (CA);  
**Todd Andrew Wood**, Toronto (CA);  
**Anders Fahrendorff**, Ottawa (CA);  
**Dustin Jonathan Smith**, Waterloo (CA)

(73) Assignee: **Research In Motion Limited**, Waterloo,  
Ontario (CA)

(\*\*) Term: **14 Years**

(21) Appl. No.: **29/398,085**

(22) Filed: **Jul. 26, 2011**

(51) **LOC (9) Cl.** ..... **14-02**

(52) **U.S. Cl.** ..... **D14/250**

(58) **Field of Classification Search** ..... D14/250,  
D14/251, 253, 240, 217, 496, 440, 203.3,  
D14/203.4, 203.5, 203.8, 432, 439, 300;  
D3/218, 215, 201; 220/4.02; 248/309.1;  
361/679.56; 379/426, 433.11, 455; 455/575.1,  
455/575.8; 190/100; 206/305, 320

See application file for complete search history.

(56) **References Cited**

**U.S. PATENT DOCUMENTS**

D469,438	S *	1/2003	Corrales	.....	D14/432
7,542,052	B2 *	6/2009	Solomon et al.	.....	345/659
D609,226	S *	2/2010	Hofer et al.	.....	D14/248
8,016,107	B2 *	9/2011	Emsky	.....	206/320
D646,266	S *	10/2011	Kim et al.	.....	D14/250

D654,069	S *	2/2012	Kwon et al.	.....	D14/250
8,132,670	B1 *	3/2012	Chen	.....	206/320
D659,139	S *	5/2012	Gengler	.....	D14/392
D662,503	S *	6/2012	Akana et al.	.....	D14/439
D665,809	S *	8/2012	Wang et al.	.....	D14/439
8,245,843	B1 *	8/2012	Wu	.....	206/320
2010/0289390	A1 *	11/2010	Kenney	.....	312/223.1

\* cited by examiner

*Primary Examiner* — Cynthia Underwood

(57) **CLAIM**

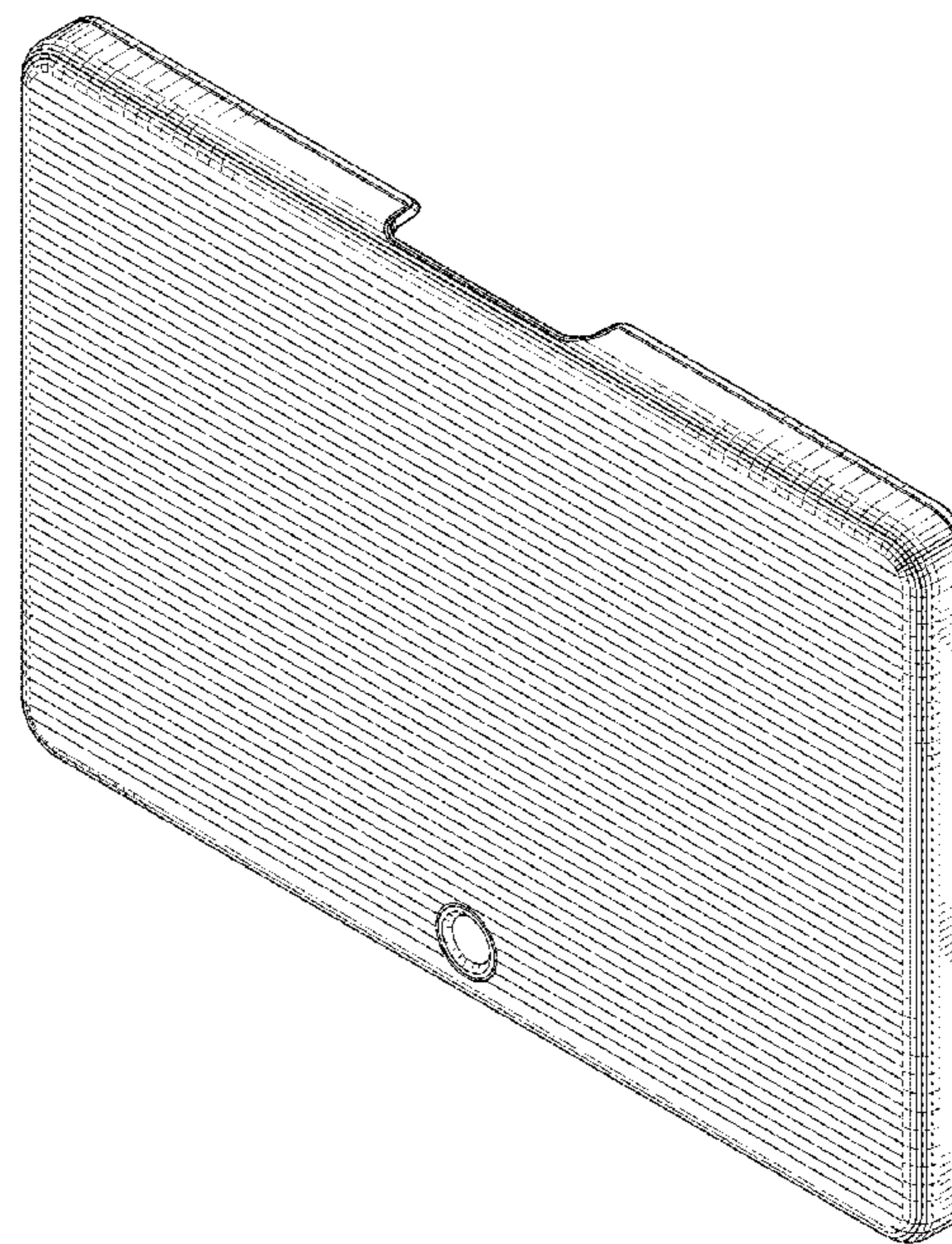
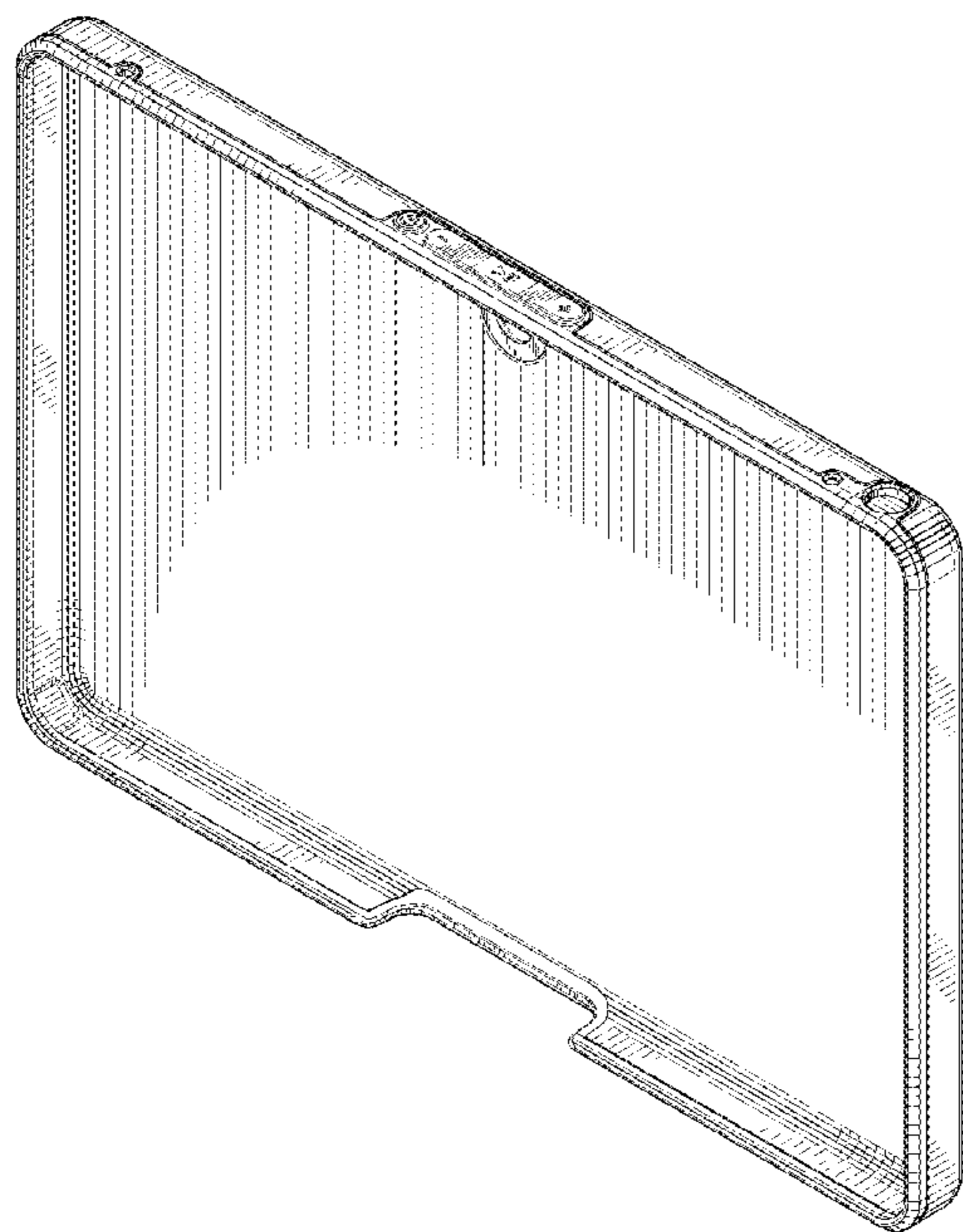
We claim the ornamental design for an electronic device shell,  
as shown and described.

**DESCRIPTION**

FIG. 1 is a front perspective view of an electronic device shell;  
FIG. 2 is a back bottom perspective view of the electronic  
device shell;  
FIG. 3 is a back elevational view thereof;  
FIG. 4 is a front elevational view thereof;  
FIG. 5 is a left elevational view thereof;  
FIG. 6 is a right elevational view thereof;  
FIG. 7 is a top plan view thereof; and,  
FIG. 8 is a bottom plan view thereof.

The broken lines shown in the drawings of the electronic  
device shell show portions of the article and are for illustrative  
purposes; the broken lines form no part of the claimed design.

**1 Claim, 6 Drawing Sheets**



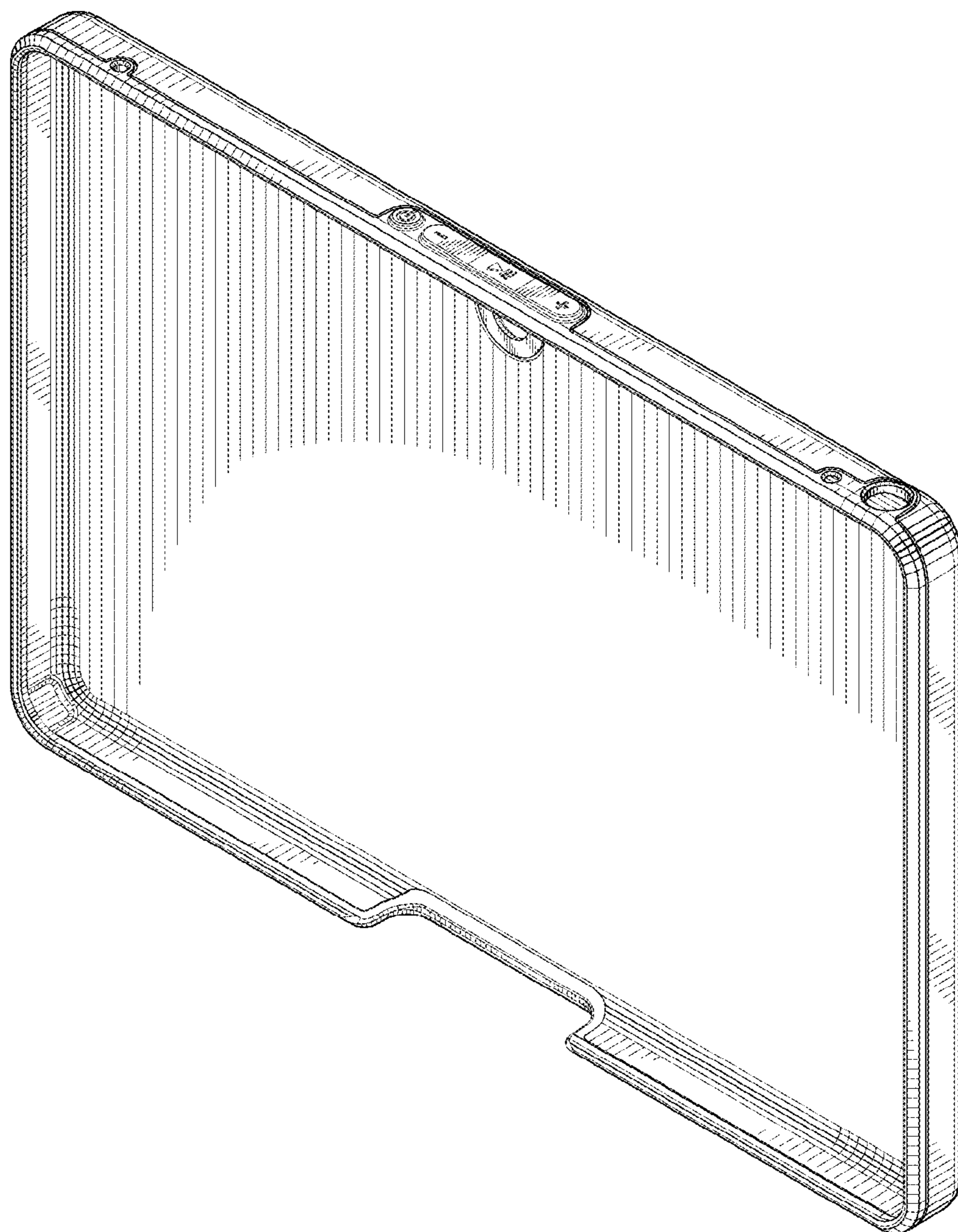


FIG.1

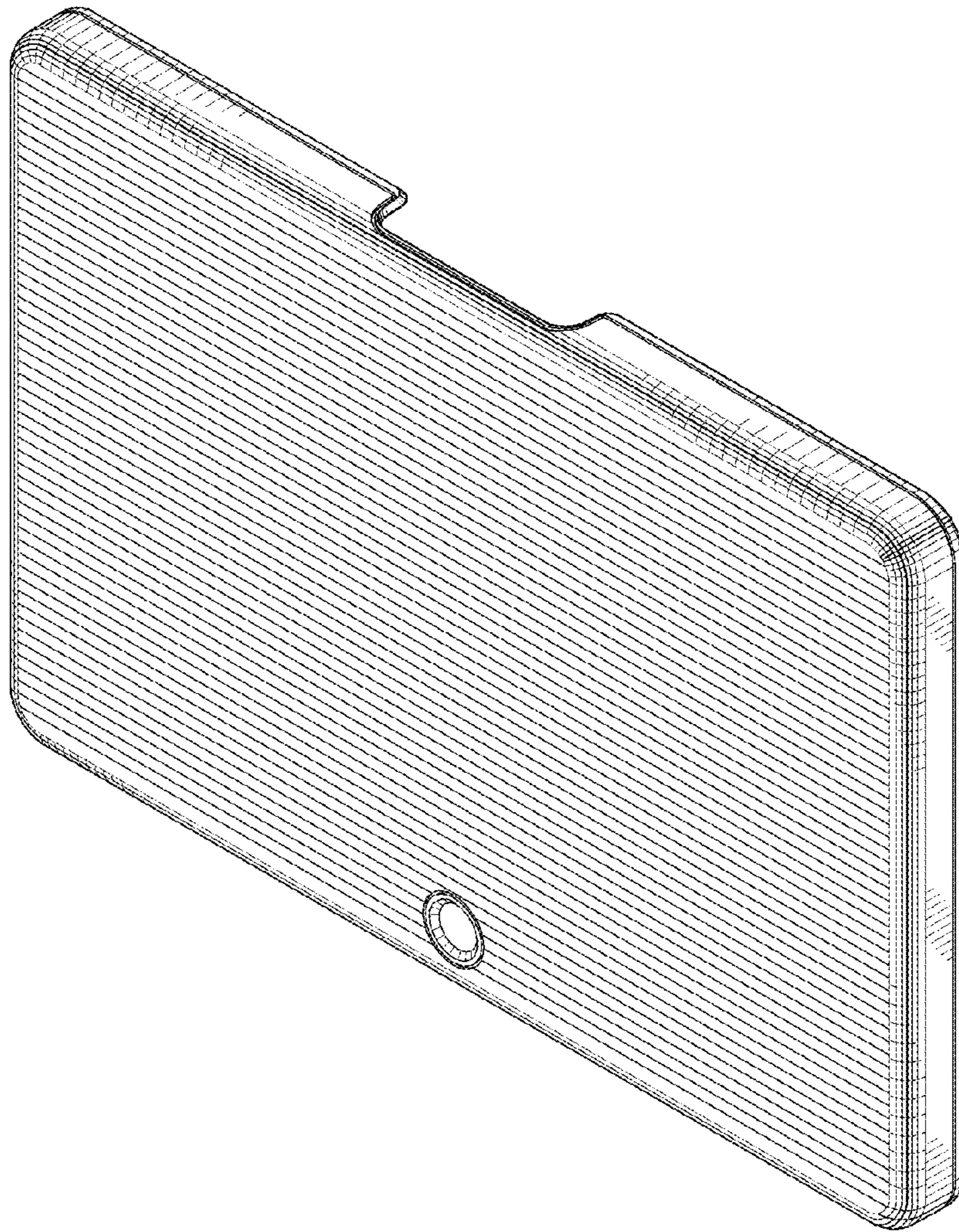


FIG.2

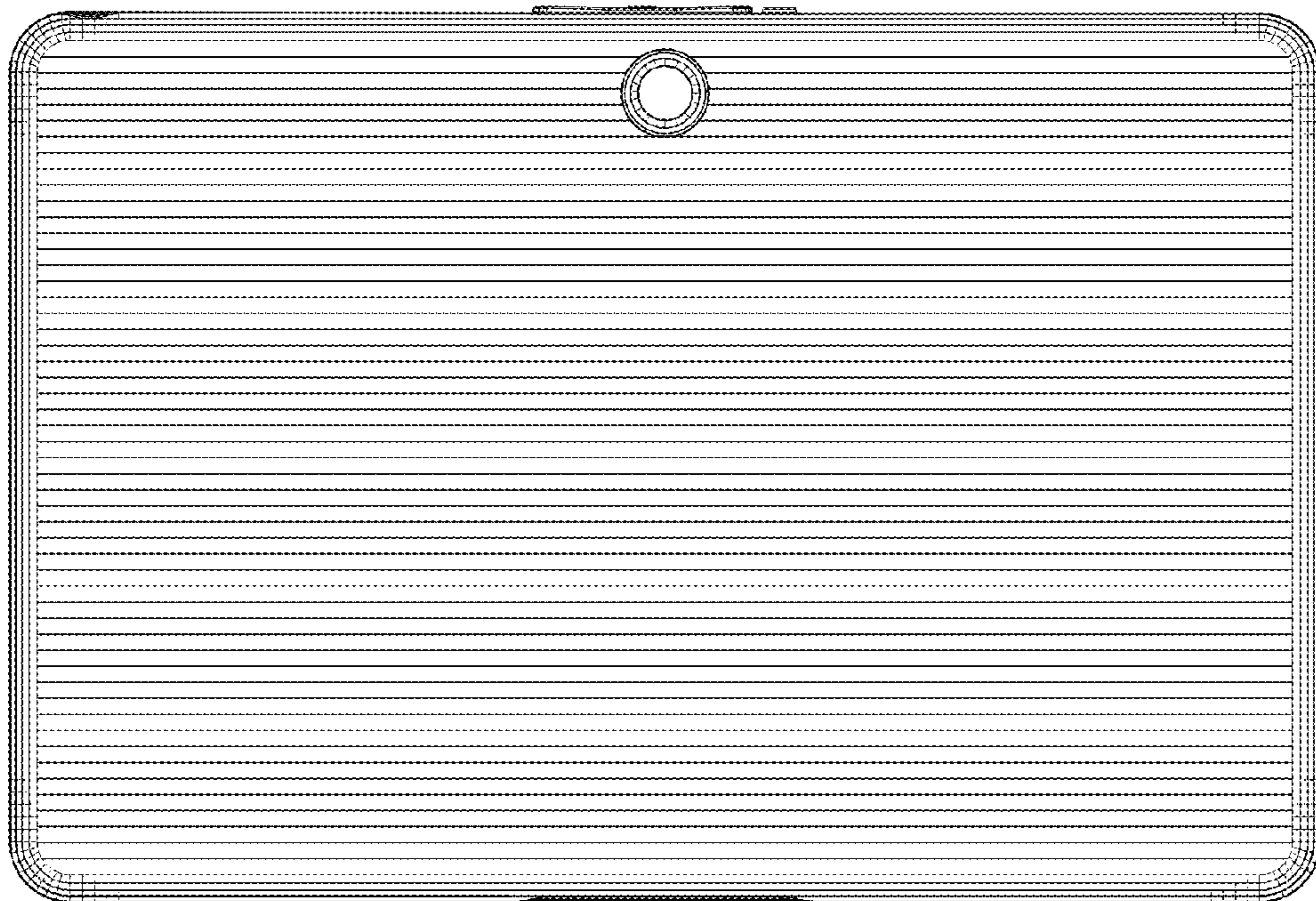


FIG.3

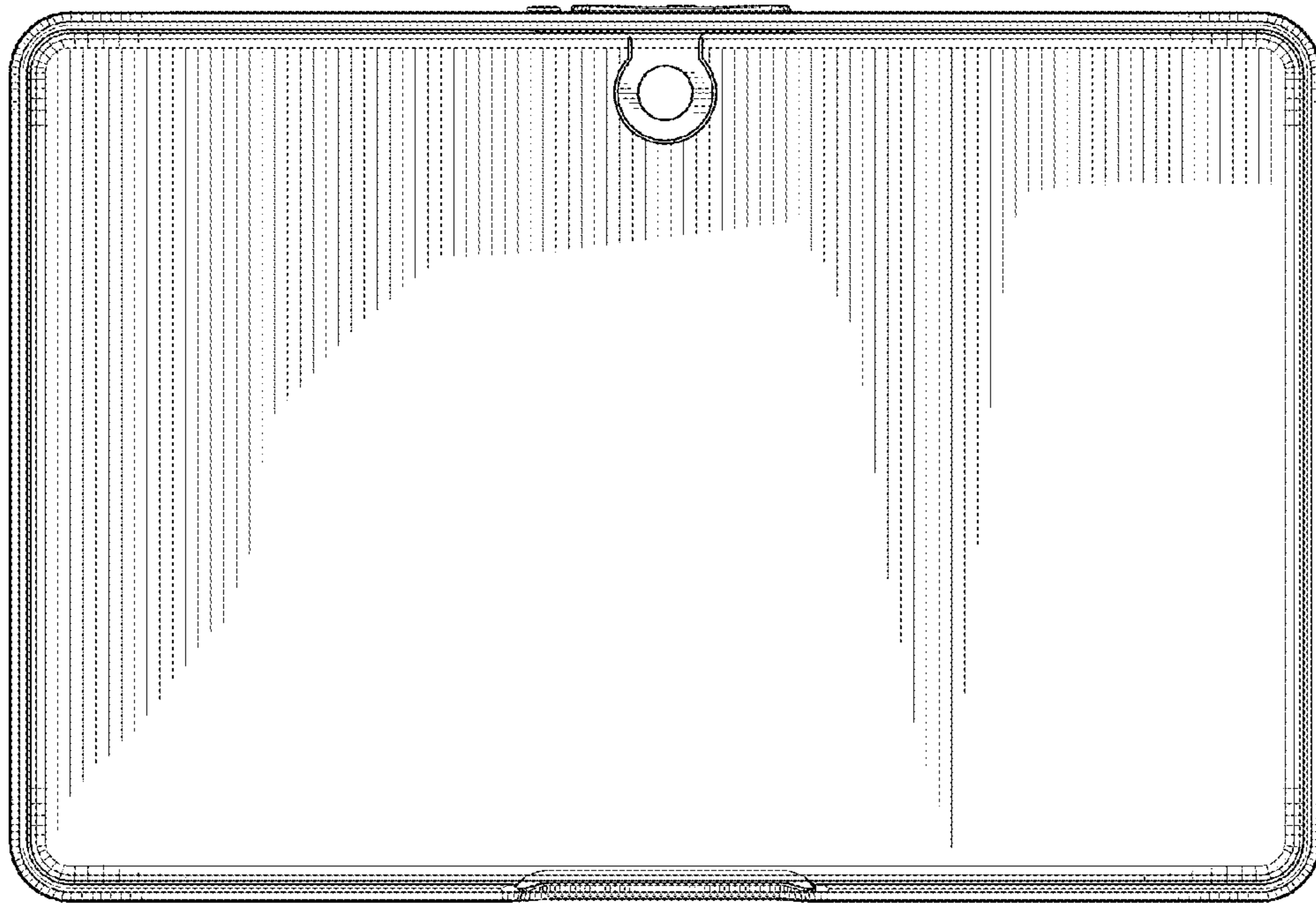


FIG.4

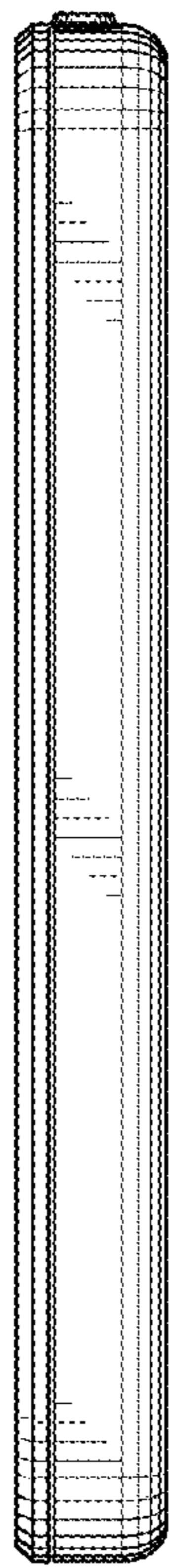


FIG.5

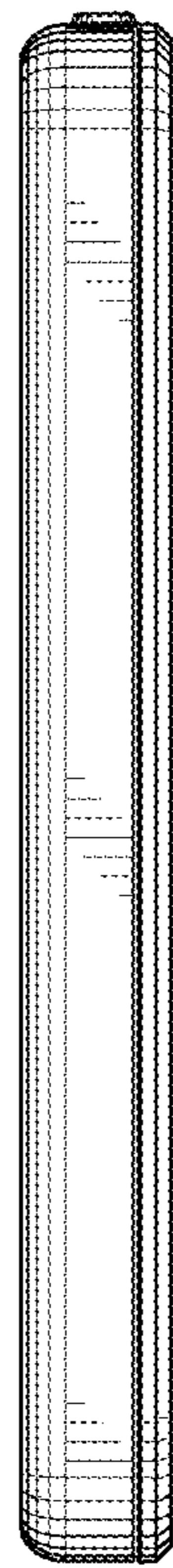


FIG.6

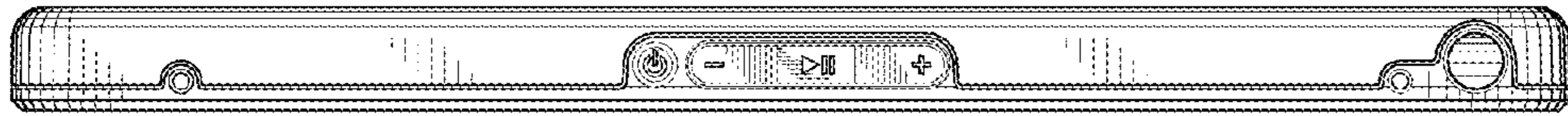


FIG. 7

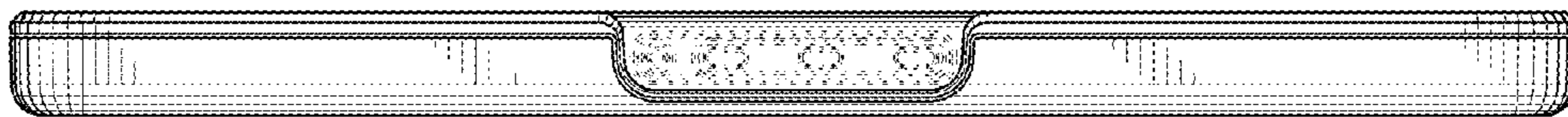


FIG. 8