



US00D678254S

(12) **United States Design Patent**
Ennabli

(10) **Patent No.:** **US D678,254 S**
(45) **Date of Patent:** **** Mar. 19, 2013**

(54) **RFID TAG**
(75) **Inventor:** **Elies Ennabli, Lausanne (CH)**
(73) **Assignee:** **Assa Abloy AB (SE)**
(**) **Term:** **14 Years**
(21) **Appl. No.:** **29/379,505**
(22) **Filed:** **Nov. 19, 2010**

D595,275 S	6/2009	Skottke	
D595,699 S	7/2009	Skottke	
D602,921 S	10/2009	Skottke et al.	
D632,166 S	2/2011	Spadotto	
D633,483 S *	3/2011	Su et al.	D14/230
D649,534 S *	11/2011	Mi et al.	D14/230
2011/0187603 A1 *	8/2011	Komaki et al.	343/700 MS
2011/0221637 A1 *	9/2011	Tu	343/700 MS
2011/0279328 A1 *	11/2011	Qi et al.	343/700 MS
2012/0013510 A1 *	1/2012	Yagi et al.	343/700 MS
2012/0019416 A1 *	1/2012	Gala Gala et al.	343/700 MS

(51) **LOC (9) Cl.** **14-03**
(52) **U.S. Cl.** **D14/230**
(58) **Field of Classification Search** D14/138,
D14/230-238, 299, 358; D12/42, 43; 343/700 MS,
343/700 R-705, 711-713, 735, 736, 741,
343/748, 767, 795, 819, 840, 846, 866, 871-908;
455/90.2, 90.3, 91, 128, 269, 344, 347, 562.1;
333/193, 195

OTHER PUBLICATIONS

U.S. Appl. No. 29/379,503, filed Nov. 19, 2010, Ennabli.
U.S. Appl. No. 29/379,506, filed Nov. 19, 2010, Ennabli.

* cited by examiner

Primary Examiner — John Windmuller
(74) *Attorney, Agent, or Firm* — Sheridan Ross P.C.

See application file for complete search history.

(57) **CLAIM**
The ornamental design for an RFID tag, as shown and described.

(56) **References Cited**

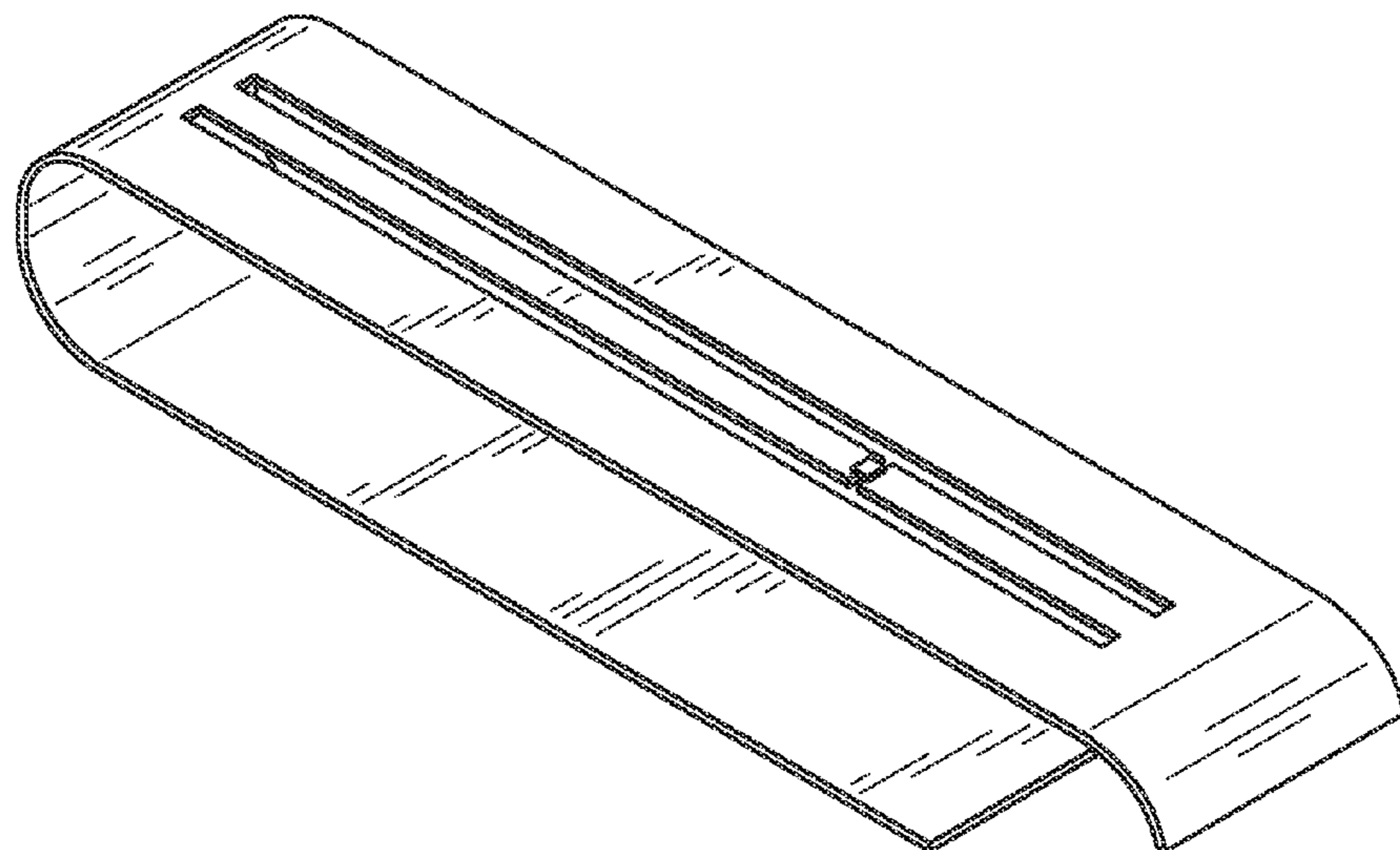
U.S. PATENT DOCUMENTS

D147,106 S	7/1947	Bradstock et al.
D211,028 S	5/1968	Zucconi
D302,924 S	8/1989	Daenen et al.
D406,590 S	3/1999	Heiligenstein et al.
D419,136 S	1/2000	Tomizawa
D424,028 S	5/2000	Vaiani
D425,068 S	5/2000	Melin
D425,071 S	5/2000	Boswell
D454,546 S	3/2002	MacKay
D455,408 S	4/2002	Vackar
D486,829 S	2/2004	Wang et al.
D486,995 S	2/2004	Liu
D535,982 S	1/2007	Inoue
D569,866 S	5/2008	Turpault et al.

DESCRIPTION

FIG. 1 is a perspective view of an RFID tag;
FIG. 2 is a top plan view thereof;
FIG. 3 is a left side elevational view thereof, the right side elevational view is identical but symmetrically reversed;
FIG. 4 is a bottom plan view thereof;
FIG. 5 is a front elevational view thereof; and,
FIG. 6 is a back elevational view thereof.
The portions of the RFID tag illustrated in broken lines form no part of the claimed design.

1 Claim, 3 Drawing Sheets



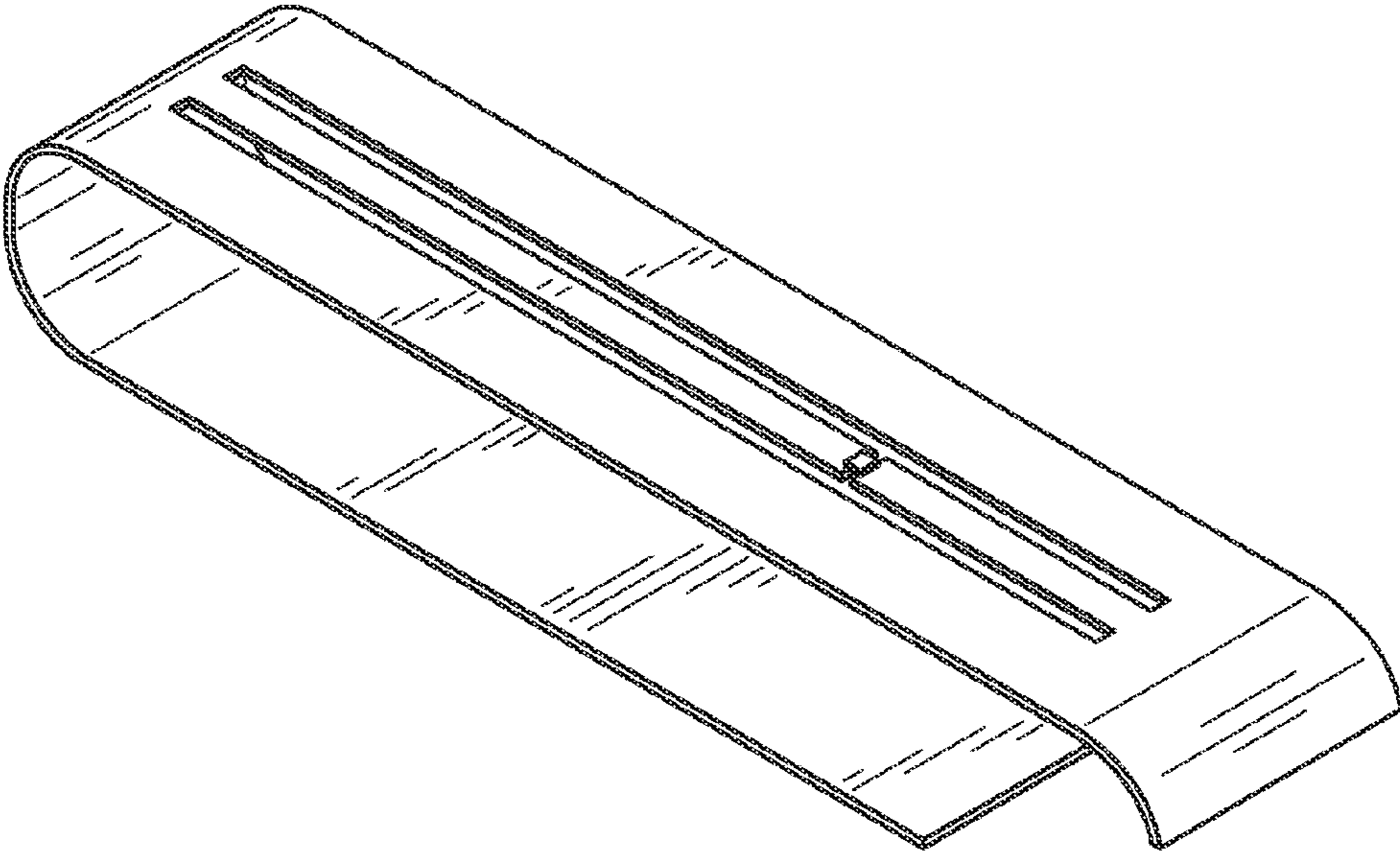


FIG.1

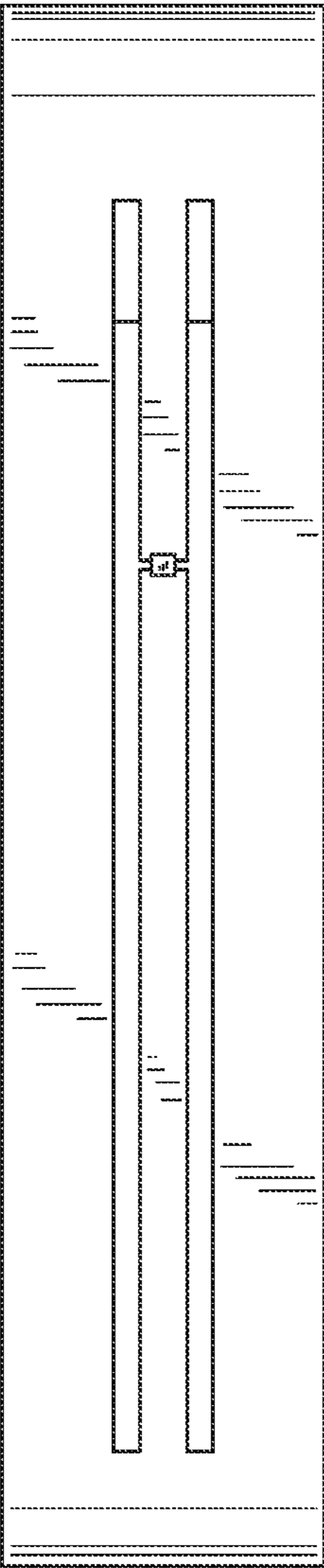


FIG. 2

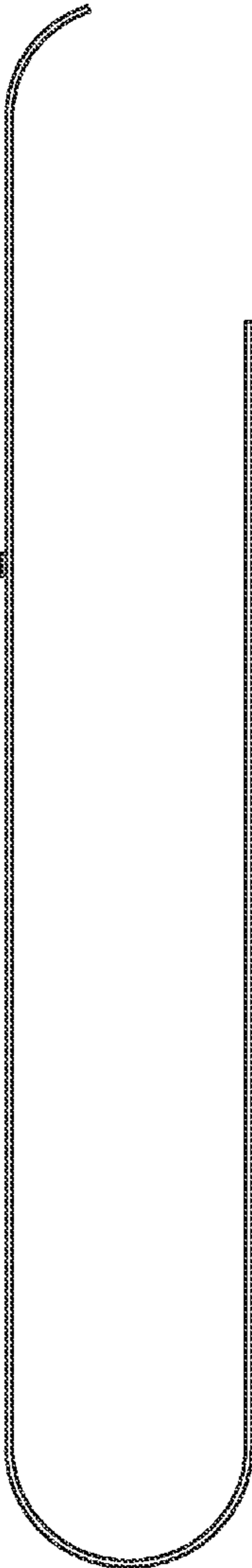


FIG. 3

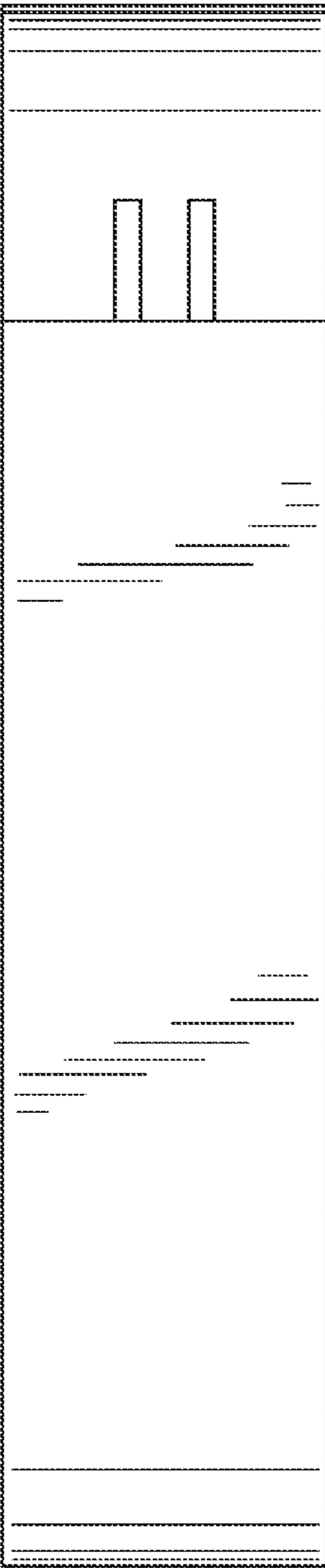


FIG. 4

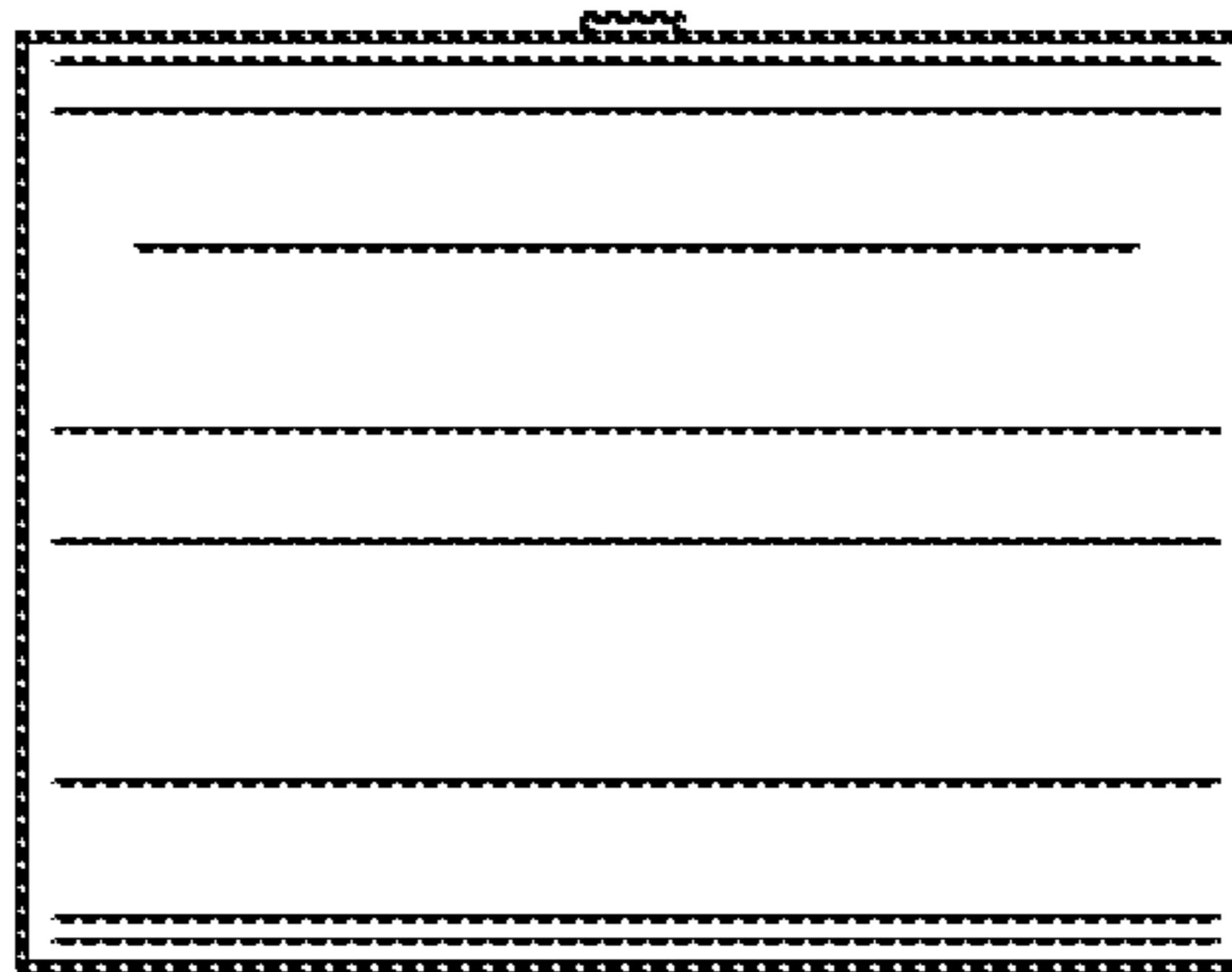


FIG. 5

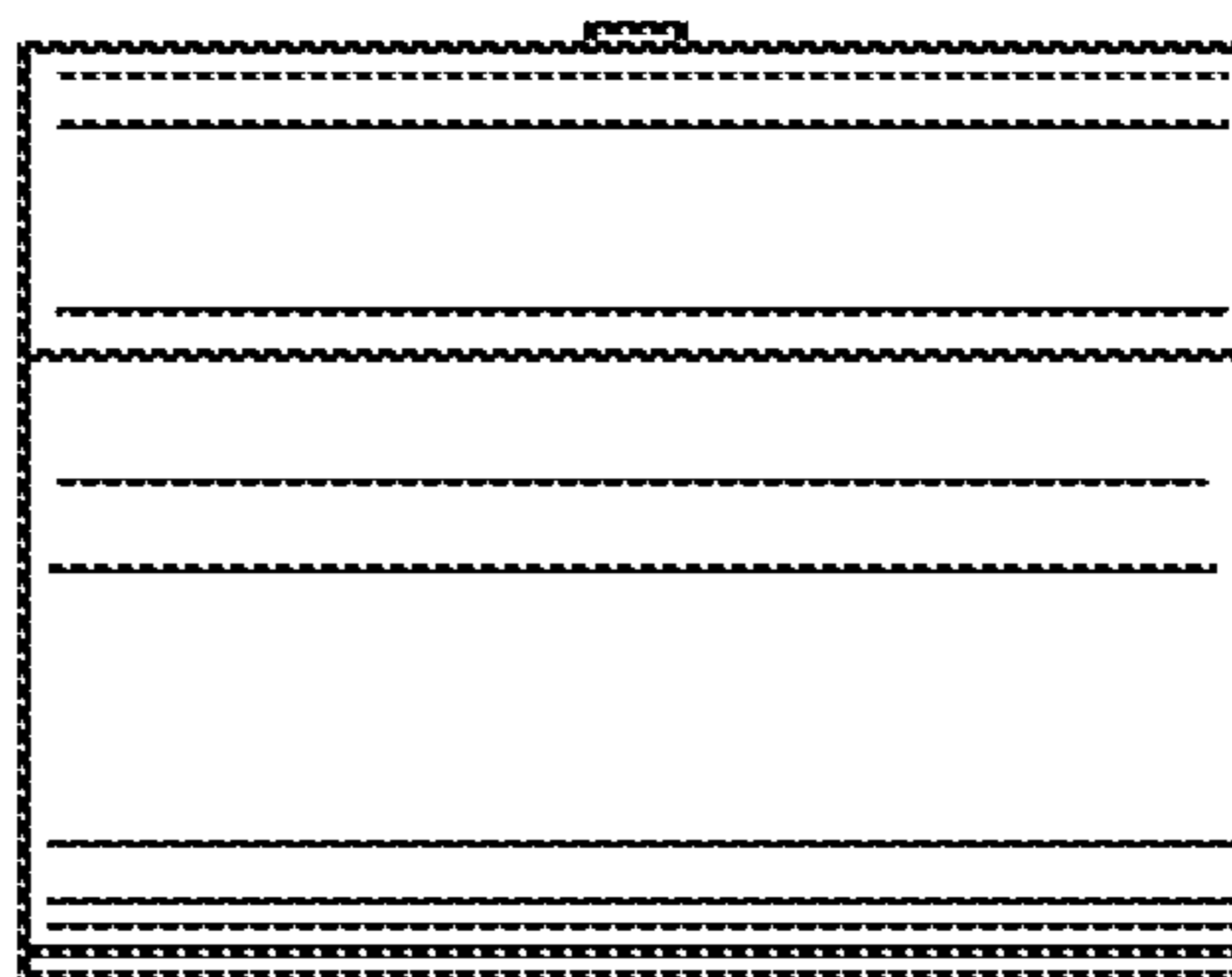


FIG. 6