



US00D678253S

(12) **United States Design Patent**
Lee et al.

(10) **Patent No.:** **US D678,253 S**
(45) **Date of Patent:** **** Mar. 19, 2013**

- (54) **MICROPHONE SLEEVE**
- (75) Inventors: **Michael A. Lee**, Palo Alto, CA (US); **Jin Eong Lionel Lim**, Singapore (SG)
- (73) Assignee: **Creative Technology Ltd**, Singapore (SG)
- (**) Term: **14 Years**
- (21) Appl. No.: **29/344,448**
- (22) Filed: **Sep. 29, 2009**
- (51) **LOC (9) Cl.** **14-01**
- (52) **U.S. Cl.** **D14/225**
- (58) **Field of Classification Search** D14/228, D14/225, 206, 219, 220, 221, 229, 497; D8/107; D7/395, 393, 361; D3/218; 381/361, 359, 381/355, 177; 426/140; 455/95
See application file for complete search history.

- D589,028 S * 3/2009 Haapapuro et al. D14/206
- D598,011 S * 8/2009 Thusbass D14/225
- D602,009 S * 10/2009 Perri D14/225
- D608,768 S * 1/2010 Ikeda et al. D14/228
- D649,960 S * 12/2011 Yoneda D14/225
- 2008/0260194 A1* 10/2008 Pooley 381/361

* cited by examiner

Primary Examiner — Austin Murphy

(74) *Attorney, Agent, or Firm* — Creative Technology Ltd

(57) **CLAIM**

The ornamental design for a microphone sleeve, substantially as shown and described.

DESCRIPTION

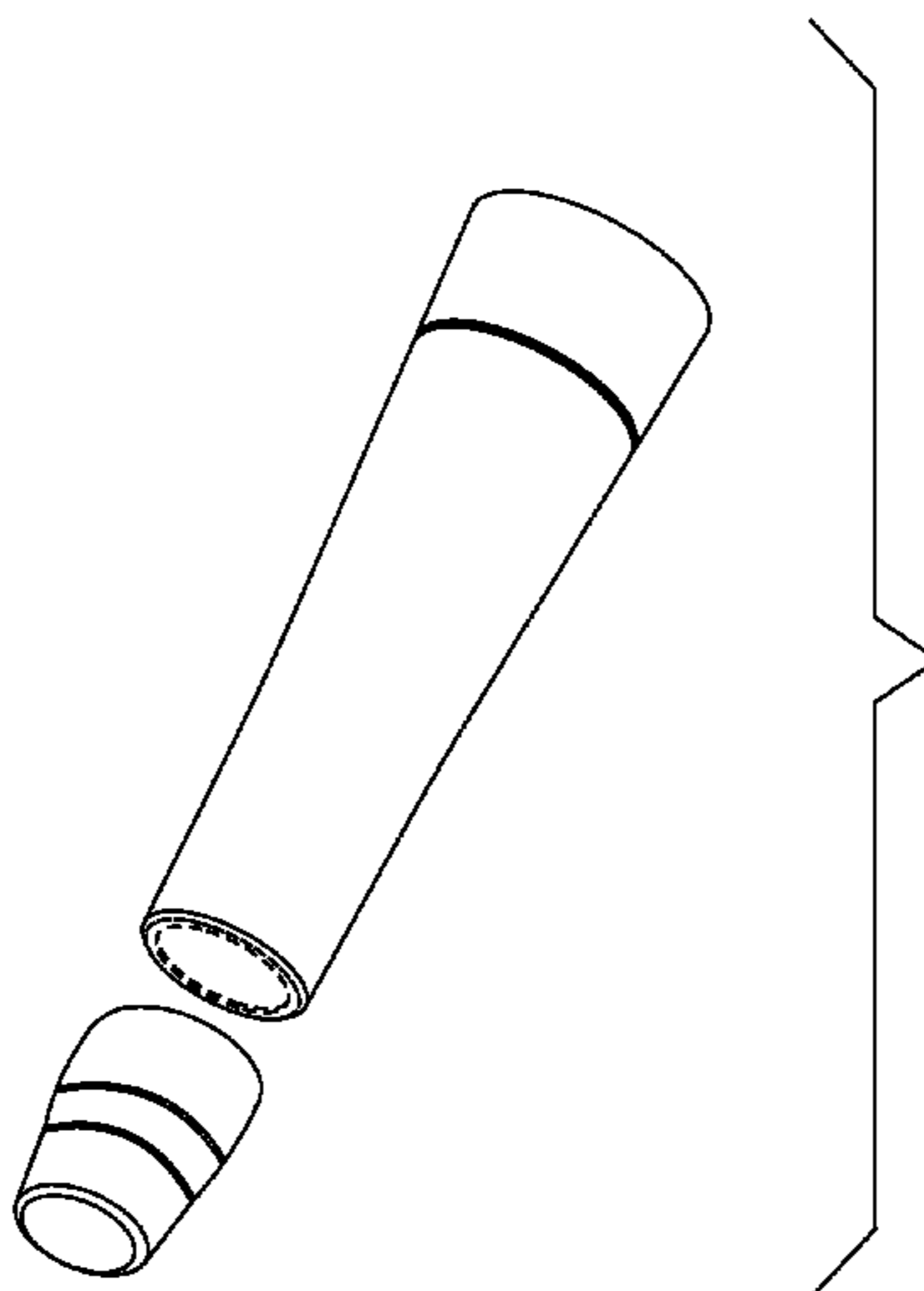
FIG. 1 is a perspective view of the microphone sleeve in accordance with the present design;
 FIG. 2 is a perspective exploded view of the microphone sleeve shown in FIG. 1;
 FIG. 3 is a perspective view of the microphone sleeve in accordance with the present design;
 FIG. 4 is a right side view of the microphone sleeve shown in FIG. 1;
 FIG. 5 is a left side view of the microphone sleeve shown in FIG. 1;
 FIG. 6 is a top view of the microphone sleeve shown in FIG. 1;
 FIG. 7 is a bottom view of the microphone sleeve shown in FIG. 1;
 FIG. 8 is an enlarged bottom right perspective view of the bottom section of the microphone sleeve shown separately for convenience of illustration;
 FIG. 9 is an enlarged lower front left perspective view of the bottom section of the microphone sleeve shown separately for convenience of illustration; and,
 FIG. 10 is an enlarged right side view of the bottom section of the microphone sleeve shown separately for convenience of illustration, the left side being a mirror image.
 Features indicated in broken line disclosure are for exemplary purposes only, and form no part of the claimed design.

(56) **References Cited**

U.S. PATENT DOCUMENTS

D50,089 S *	12/1916	Ball	D7/361
1,699,076 A *	1/1929	Mumm et al.	426/140
D201,985 S *	8/1965	Munson	D7/395
3,652,810 A *	3/1972	Weingartner	381/177
D258,486 S *	3/1981	Wallace et al.	D7/395
D258,862 S *	4/1981	Goransson	D7/395
4,344,184 A *	8/1982	Edwards	455/95
D282,710 S *	2/1986	Vosbikian	D8/1
D287,216 S *	12/1986	Usbeck	D7/395
4,964,192 A *	10/1990	Marui	16/421
5,144,677 A *	9/1992	Asakura et al.	381/359
5,742,697 A *	4/1998	Ching-Chung	381/361
D452,114 S *	12/2001	Lin	D7/395
6,424,724 B1 *	7/2002	Ming-Cheng	381/361
6,463,159 B1 *	10/2002	Ming-Cheng	381/355
D482,259 S *	11/2003	Chen	D8/107
D494,039 S *	8/2004	Tsai	D8/107
D530,567 S *	10/2006	Timm et al.	D7/393
D530,705 S *	10/2006	Shen	D14/225
D530,977 S *	10/2006	Timm et al.	D7/393
D545,168 S *	6/2007	Rudder	D8/107
D570,644 S *	6/2008	Smith et al.	D7/395

1 Claim, 7 Drawing Sheets



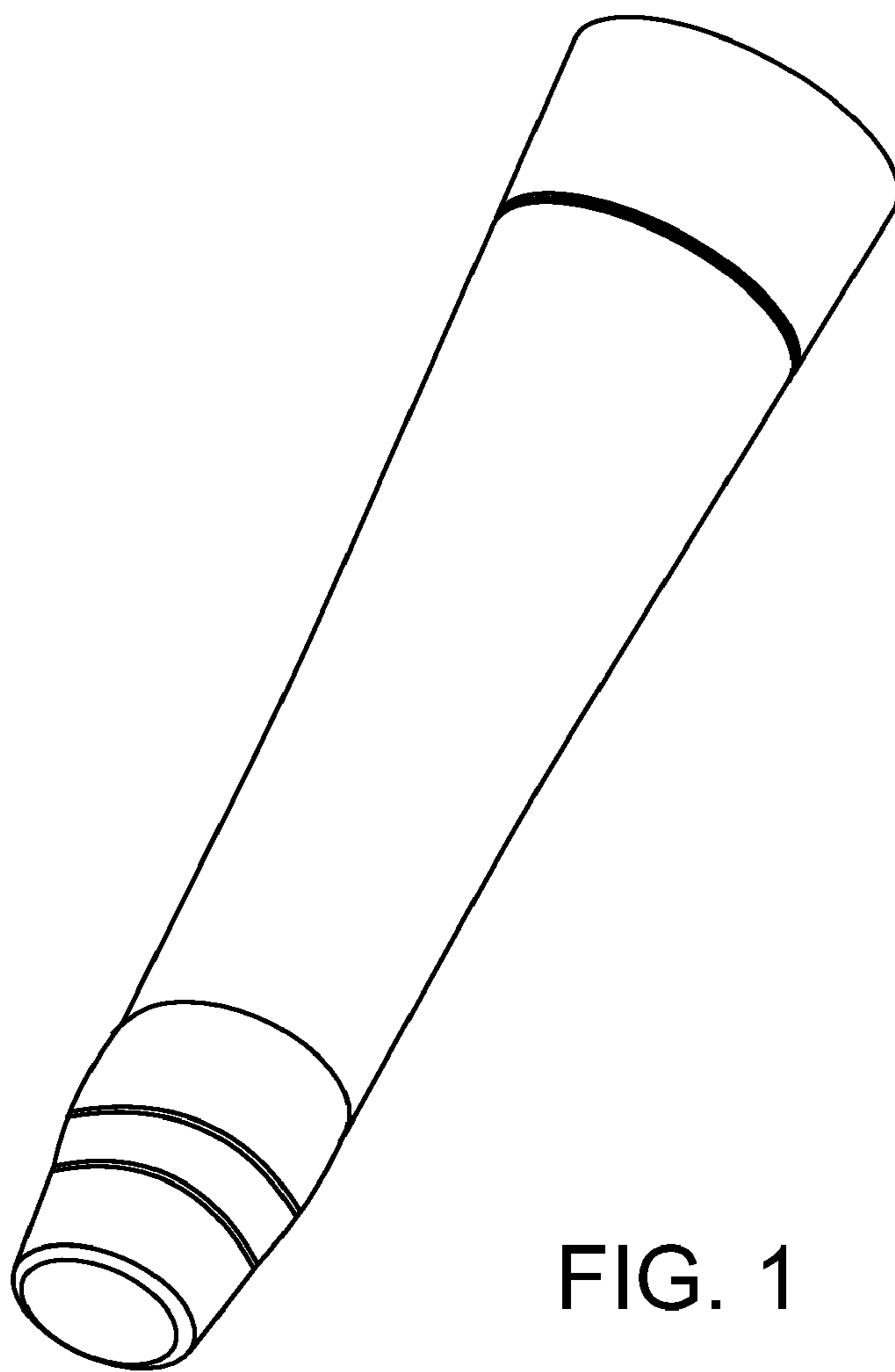


FIG. 1

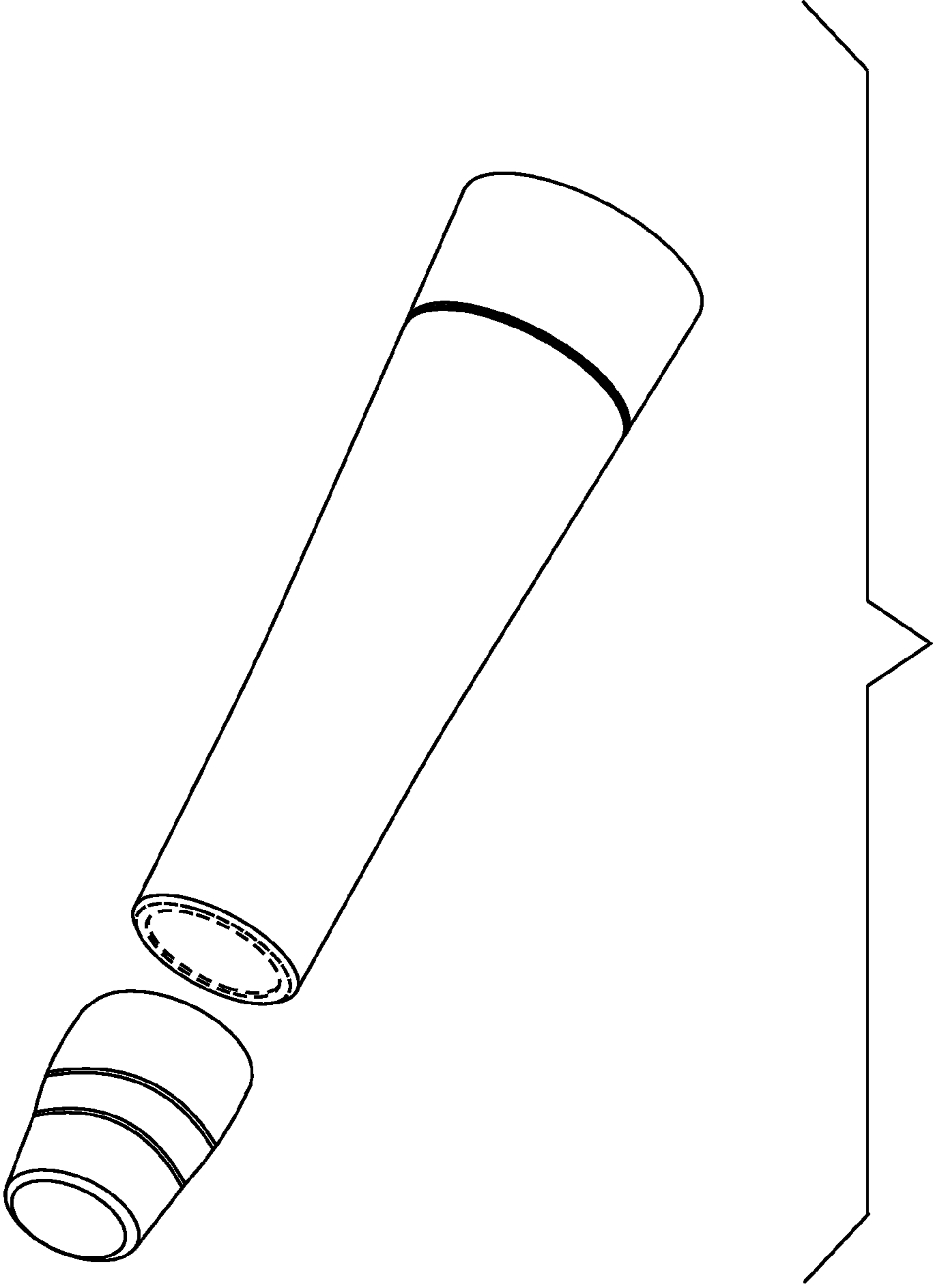


FIG. 2

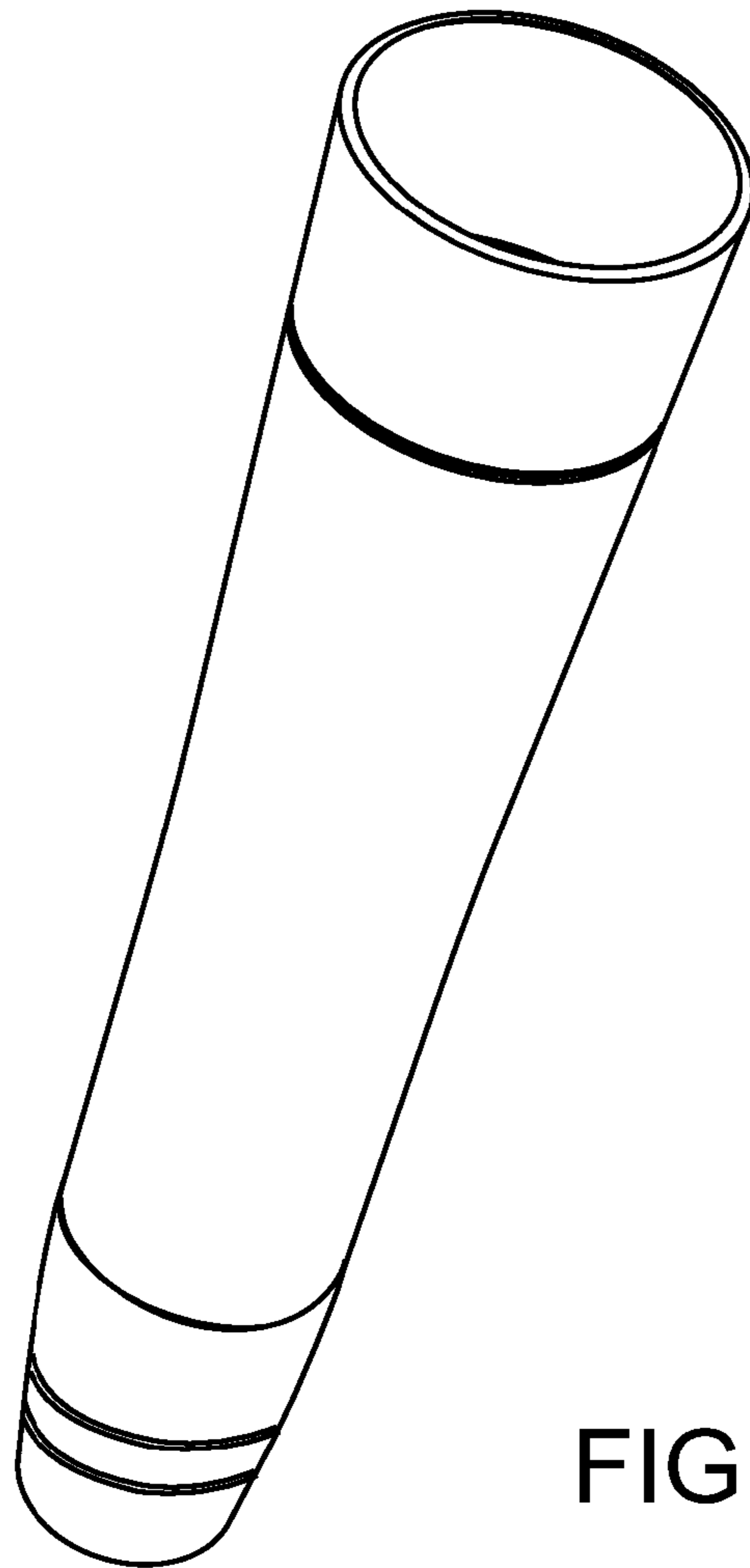


FIG. 3

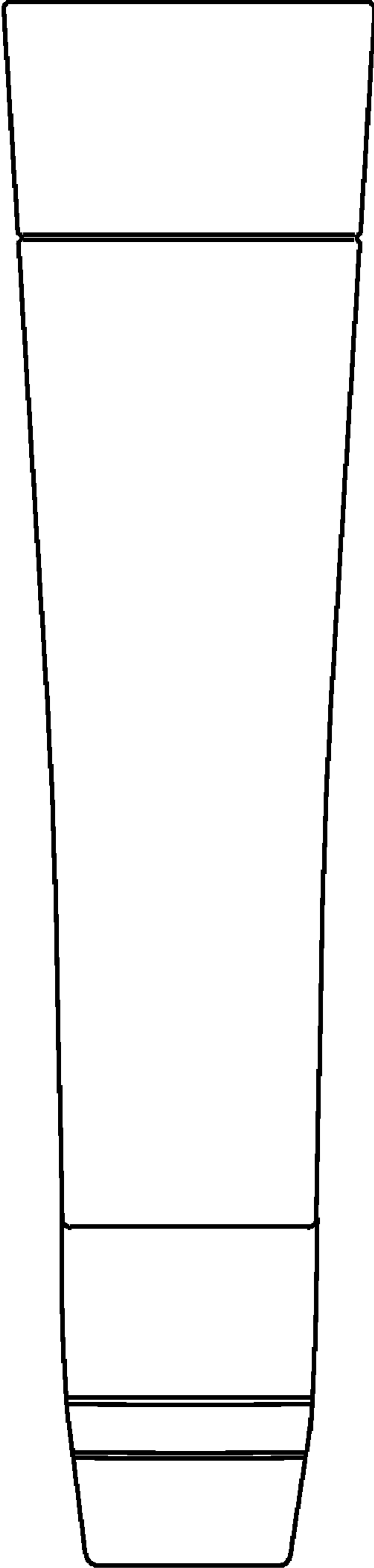


FIG. 4

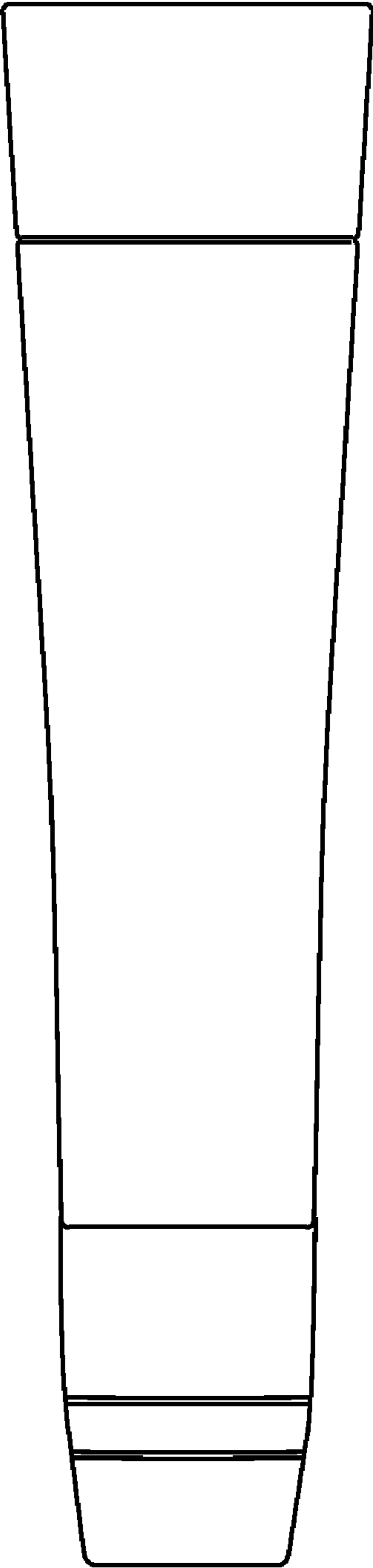


FIG. 5

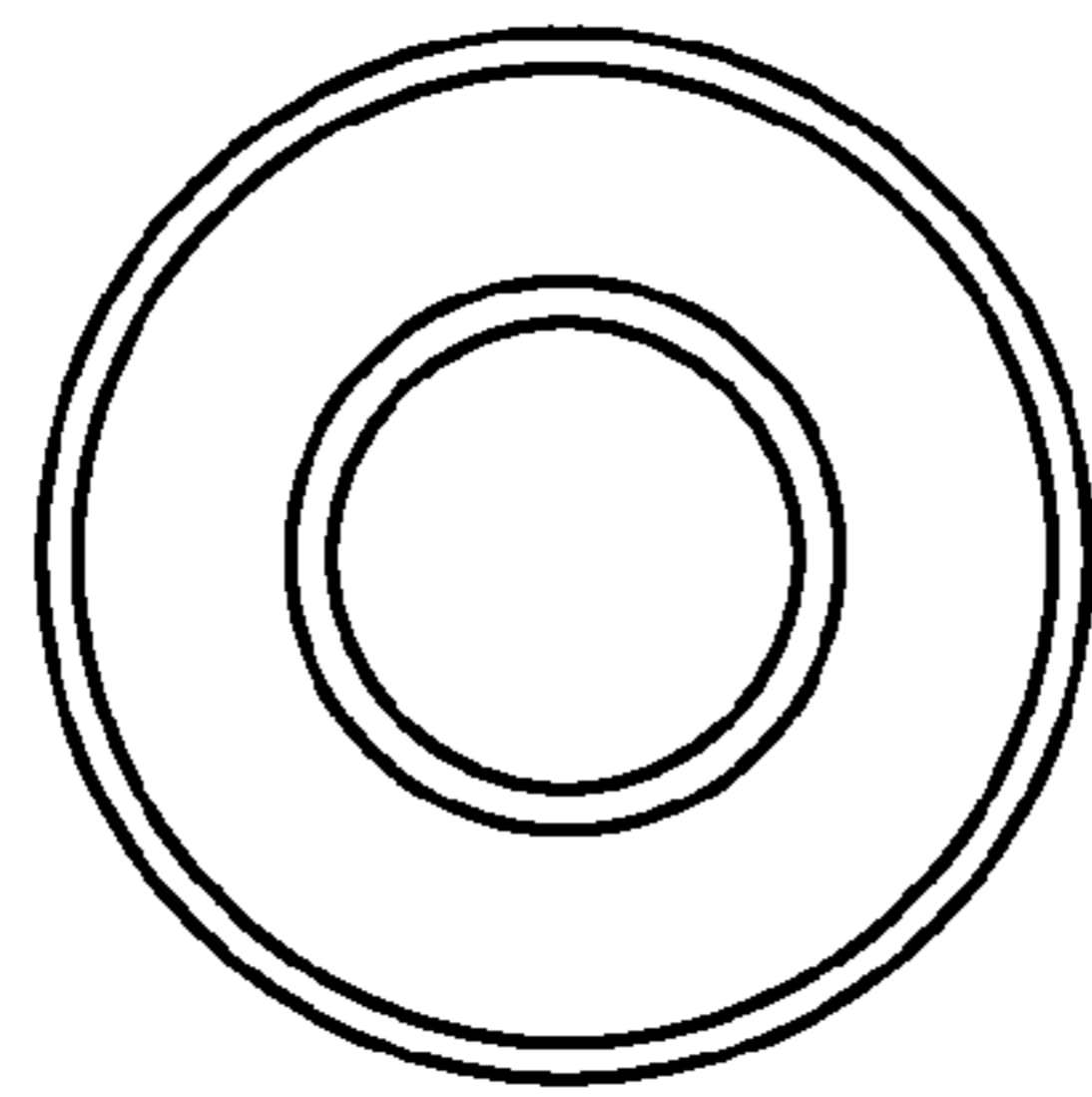


FIG. 6

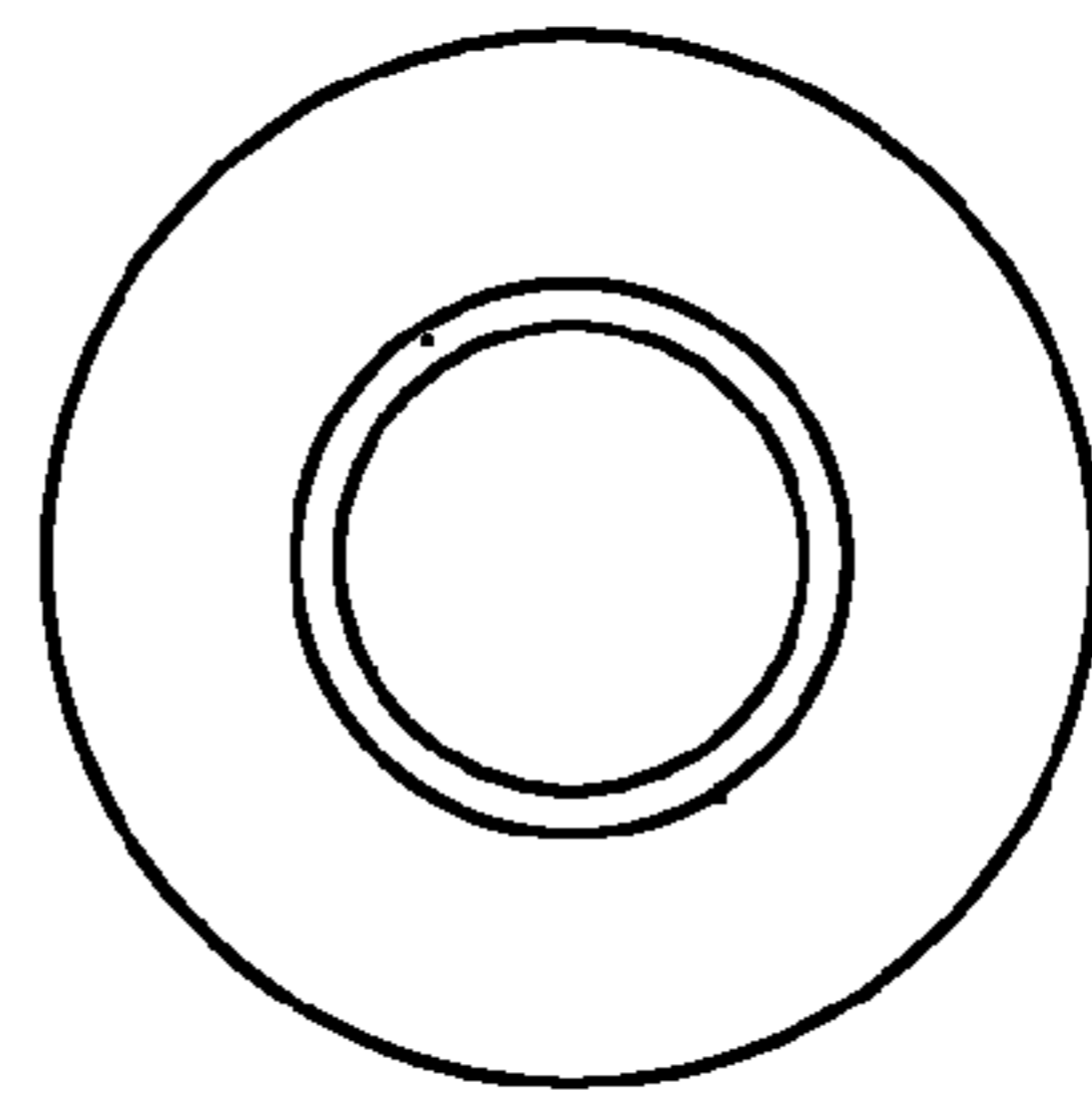


FIG. 7

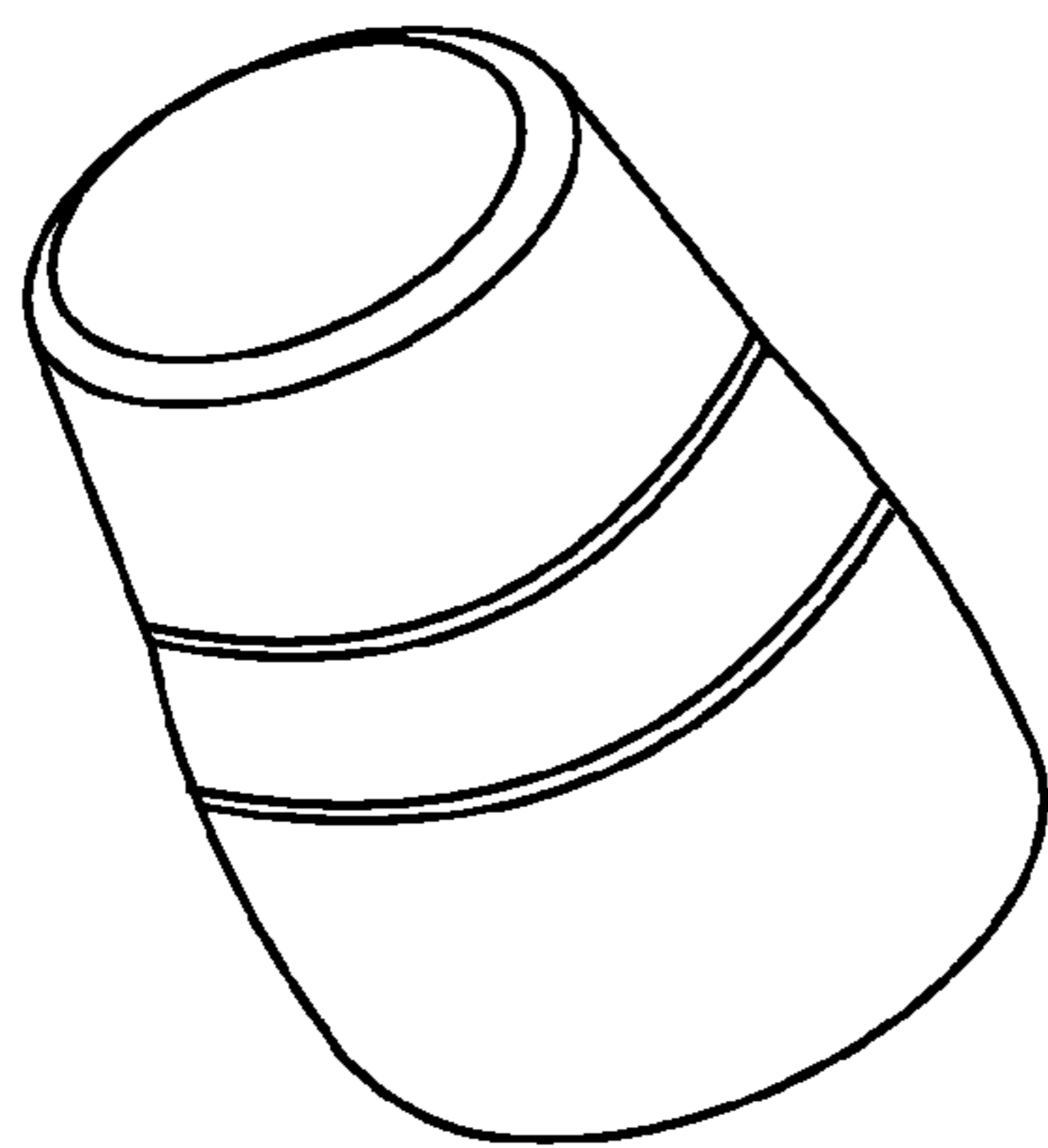


FIG. 8

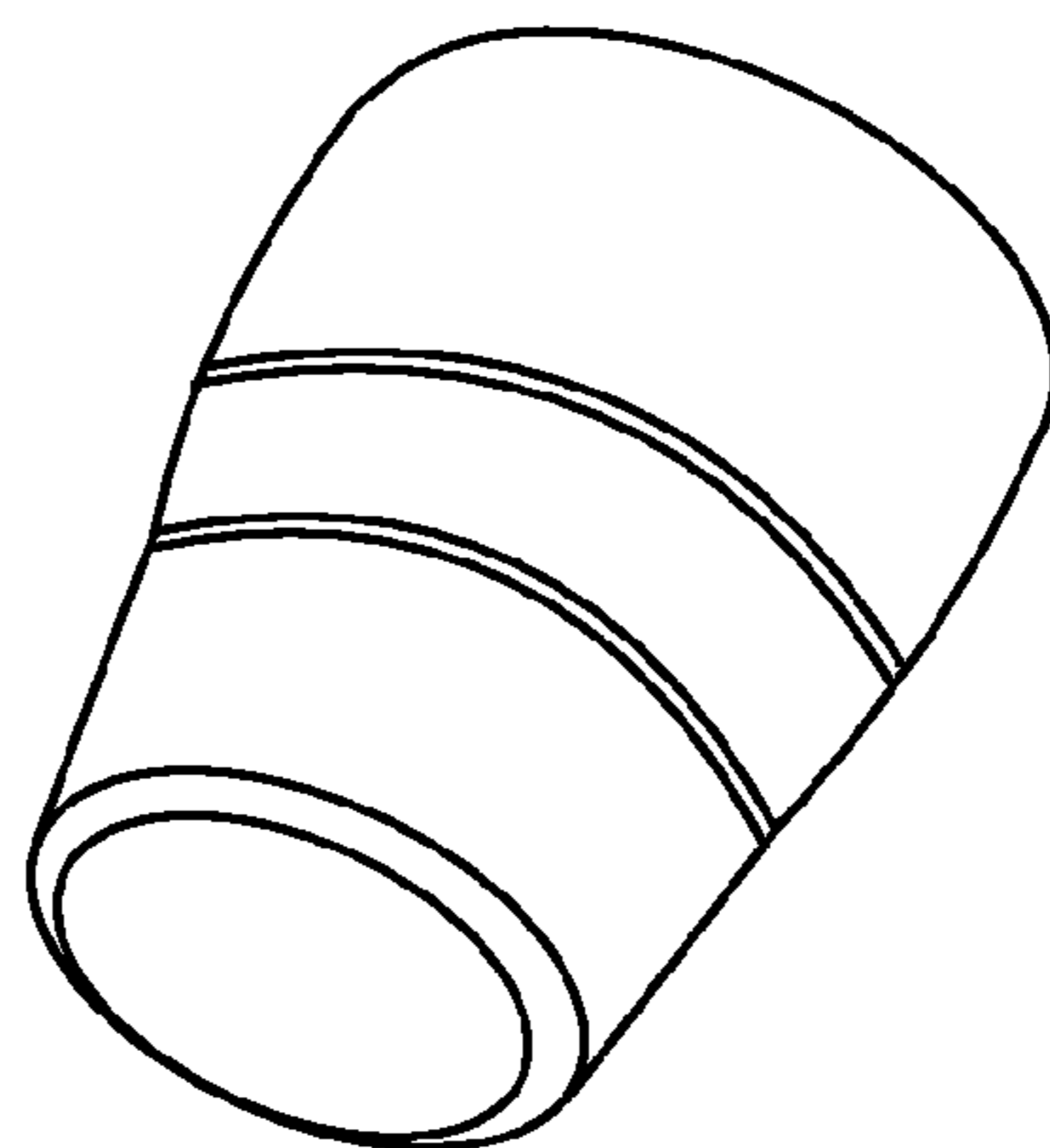


FIG. 9

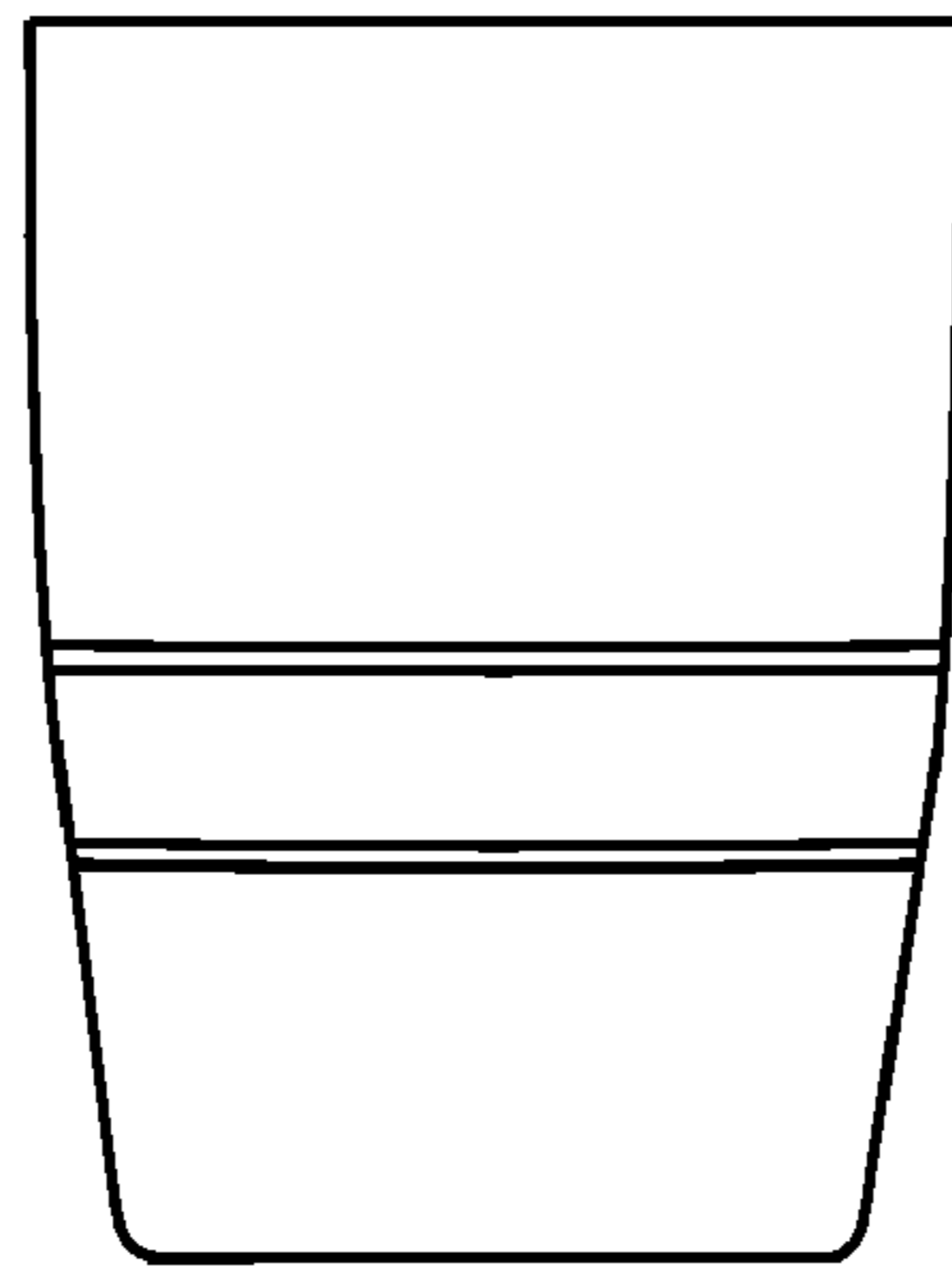


FIG. 10