



US00D678252S

(12) **United States Design Patent**  
**Cantoni et al.**

(10) **Patent No.:** **US D678,252 S**  
(45) **Date of Patent:** **\*\* Mar. 19, 2013**

(54) **HEADPHONE**

(75) Inventors: **Alexander Cantoni**, Cranford, NJ (US);  
**Michael P. Zambelli**, Basking Ridge, NJ (US)

(73) Assignee: **Bell'O International Corp.**,  
Morganville, NJ (US)

(\*\*) Term: **14 Years**

(21) Appl. No.: **29/413,667**

(22) Filed: **Feb. 17, 2012**

(51) **LOC (9) Cl.** ..... **14-01**

(52) **U.S. Cl.** ..... **D14/223**

(58) **Field of Classification Search** ..... D14/205,  
D14/206, 223; 181/129, 130, 135; 379/430,  
379/431; 381/374, 380, 381; 455/90.3, 575.1  
See application file for complete search history.

(56) **References Cited**

**U.S. PATENT DOCUMENTS**

4,133,984	A	*	1/1979	Akiyama	.....	381/328
D430,146	S		8/2000	Lin		
D519,108	S		4/2006	Yang		
D539,268	S		3/2007	Suzuki		
D554,627	S		11/2007	Gondo		
D567,217	S	*	4/2008	Kamo et al.	.....	D14/205
D569,841	S	*	5/2008	Chung et al.	.....	D14/205
D572,703	S		7/2008	Ledbetter et al.		
D587,681	S		3/2009	Yanai		
D594,441	S	*	6/2009	Lee et al.	.....	D14/205
7,551,748	B2	*	6/2009	Kamo et al.	.....	381/380
D598,894	S	*	8/2009	Masuda et al.	.....	D14/205
D599,778	S	*	9/2009	Ando	.....	D14/205
D605,182	S	*	12/2009	Fagnot	.....	D14/223
D606,972	S	*	12/2009	Schaefer	.....	D14/205
D627,764	S	*	11/2010	Tsai et al.	.....	D14/223
D628,564	S	*	12/2010	Chong et al.	.....	D14/223

D629,395	S	*	12/2010	Lee et al.	.....	D14/223
D631,470	S		1/2011	Yoneyama et al.		
D637,181	S		5/2011	Fuller et al.		
D637,182	S		5/2011	Lee et al.		
D637,585	S		5/2011	Nagayama et al.		
D642,163	S		7/2011	Lee et al.		
D643,414	S		8/2011	Lee et al.		
D643,416	S	*	8/2011	Chong et al.	.....	D14/223
D643,833	S		8/2011	Lee et al.		
D647,081	S		10/2011	Kwon		
D647,888	S		11/2011	Katsuraku et al.		
D648,316	S		11/2011	Lee et al.		
D650,368	S		12/2011	Lee et al.		
D652,817	S		1/2012	Lee et al.		
D652,822	S		1/2012	Lee et al.		
D660,290	S	*	5/2012	Weedon	.....	D14/223
D664,523	S	*	7/2012	Naitou	.....	D14/223
2010/0008528	A1		1/2010	Isvan		

\* cited by examiner

*Primary Examiner* — Paula Greene

(74) *Attorney, Agent, or Firm* — Lerner, David, Littenberg,  
Krumholz & Mentlik, LLP

(57) **CLAIM**

The ornamental design for headphone, as shown and described.

**DESCRIPTION**

FIG. 1 is a perspective view of a headphone showing our new design;

FIG. 2 is a front elevational view thereof;

FIG. 3 is a rear elevational view thereof;

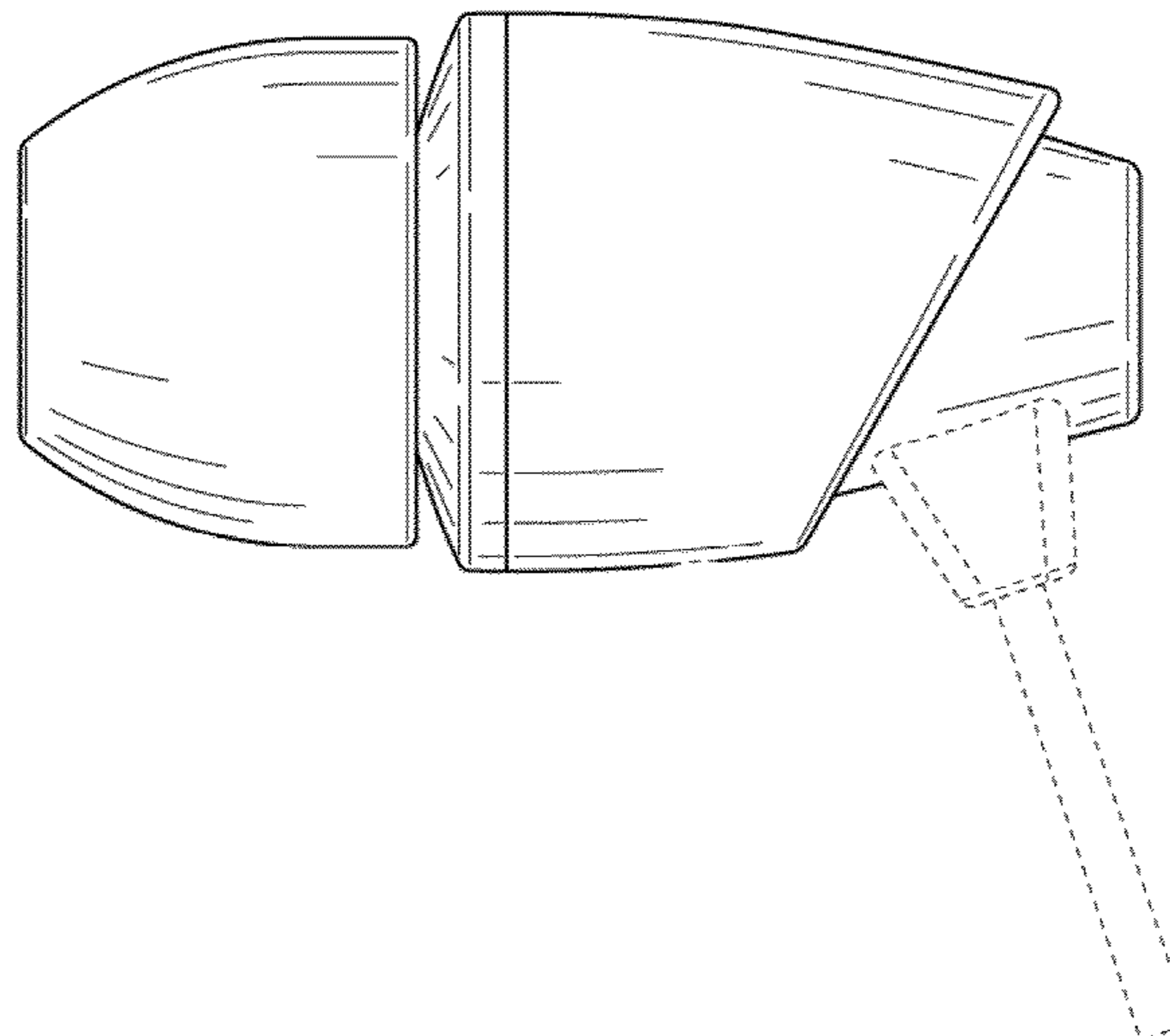
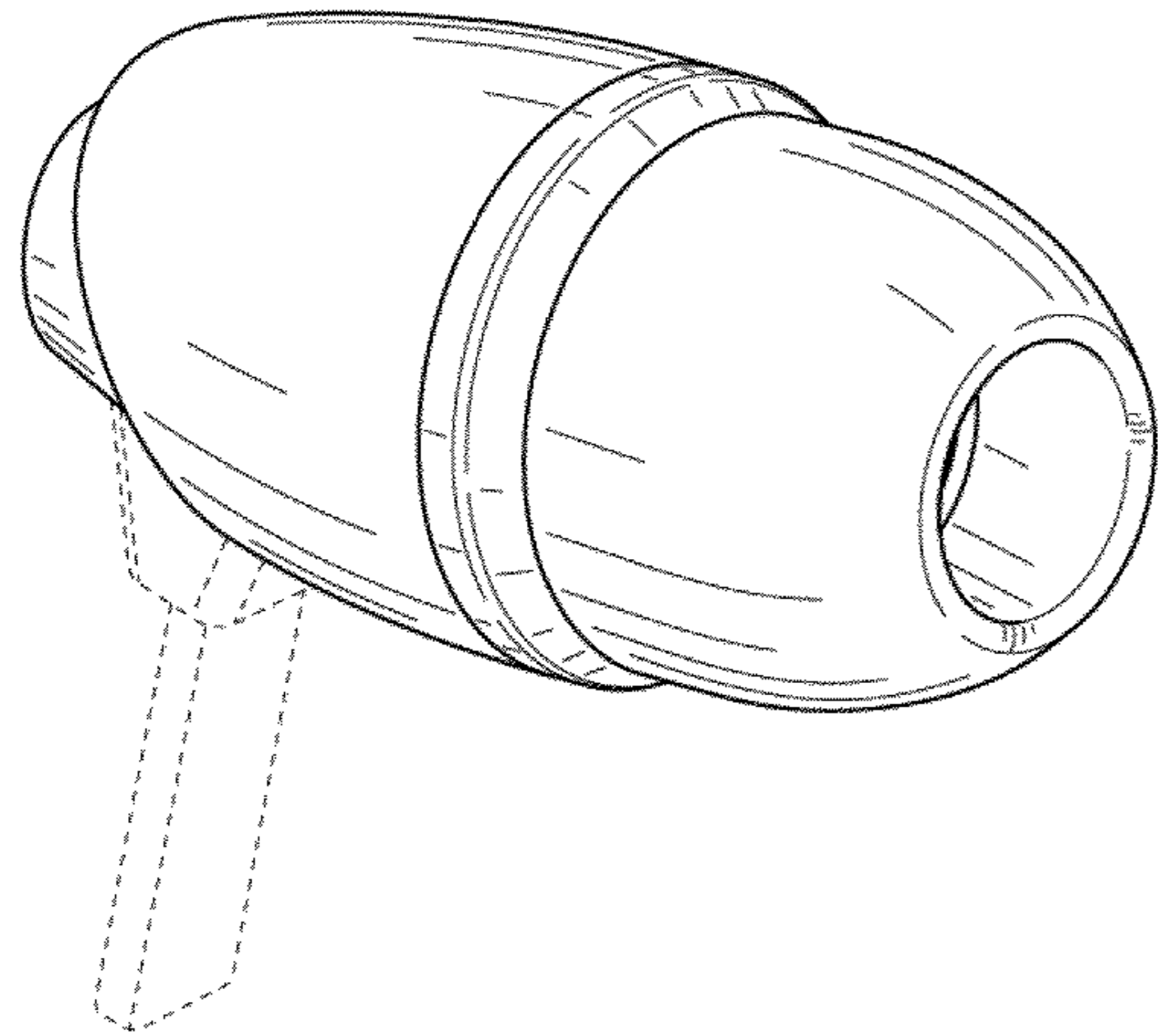
FIG. 4 is right side view thereof (the left side view is a mirror image of the right side view).

FIG. 5 is a top view thereof; and,

FIG. 6 is a bottom view thereof.

The broken lines shown on the drawings are included for the purpose of illustration and form no part of the claimed design.

**1 Claim, 3 Drawing Sheets**



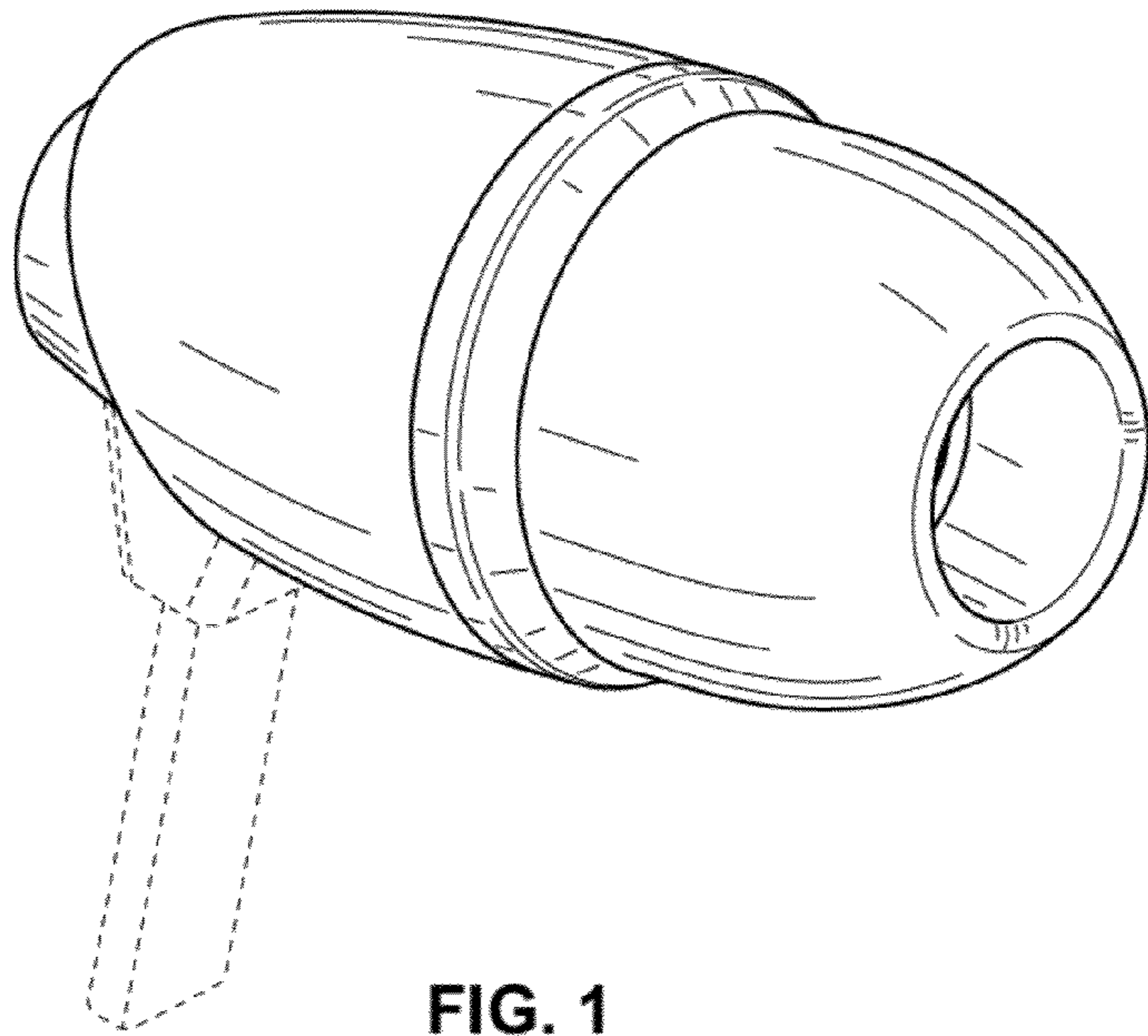


FIG. 1

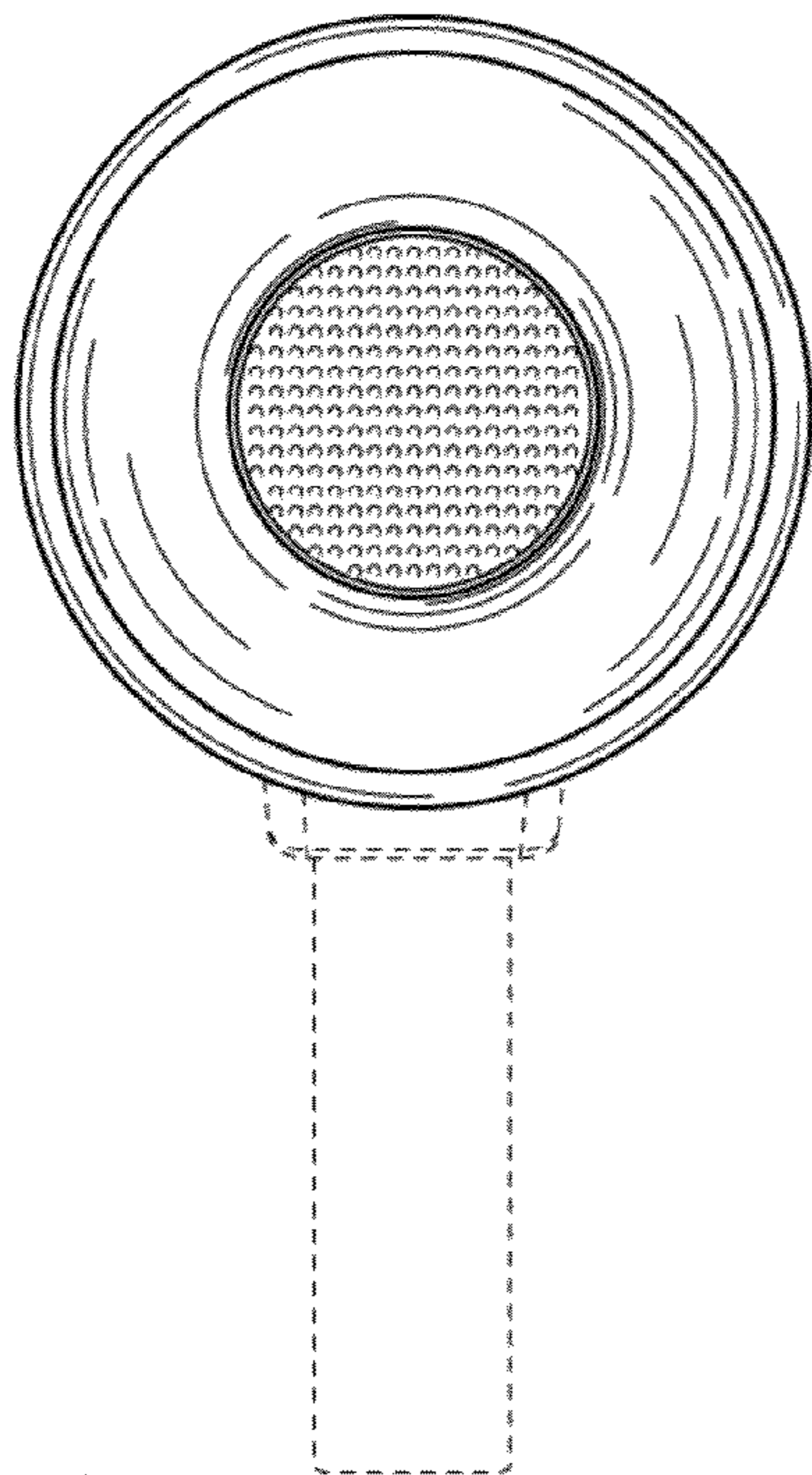


FIG. 2

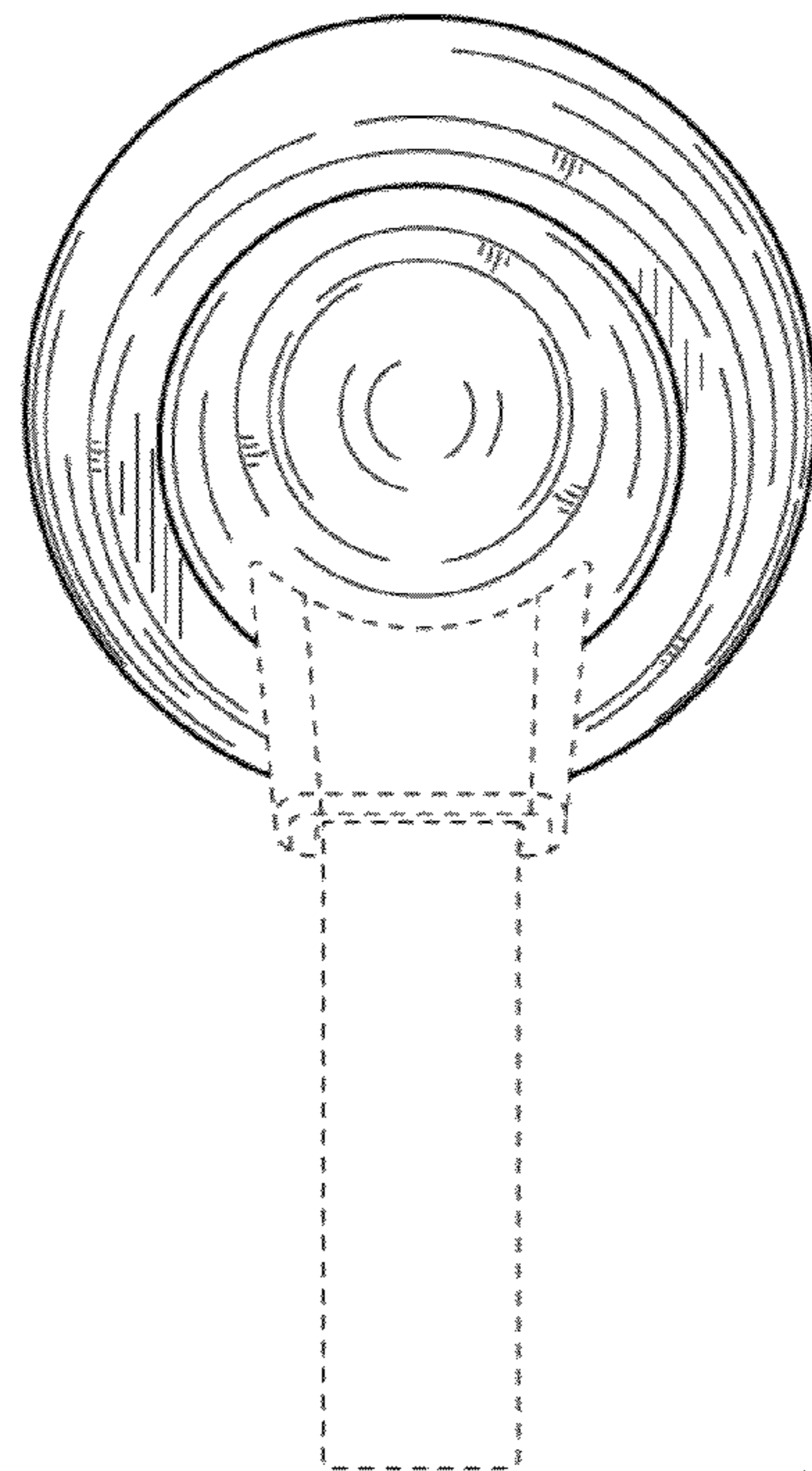


FIG. 3

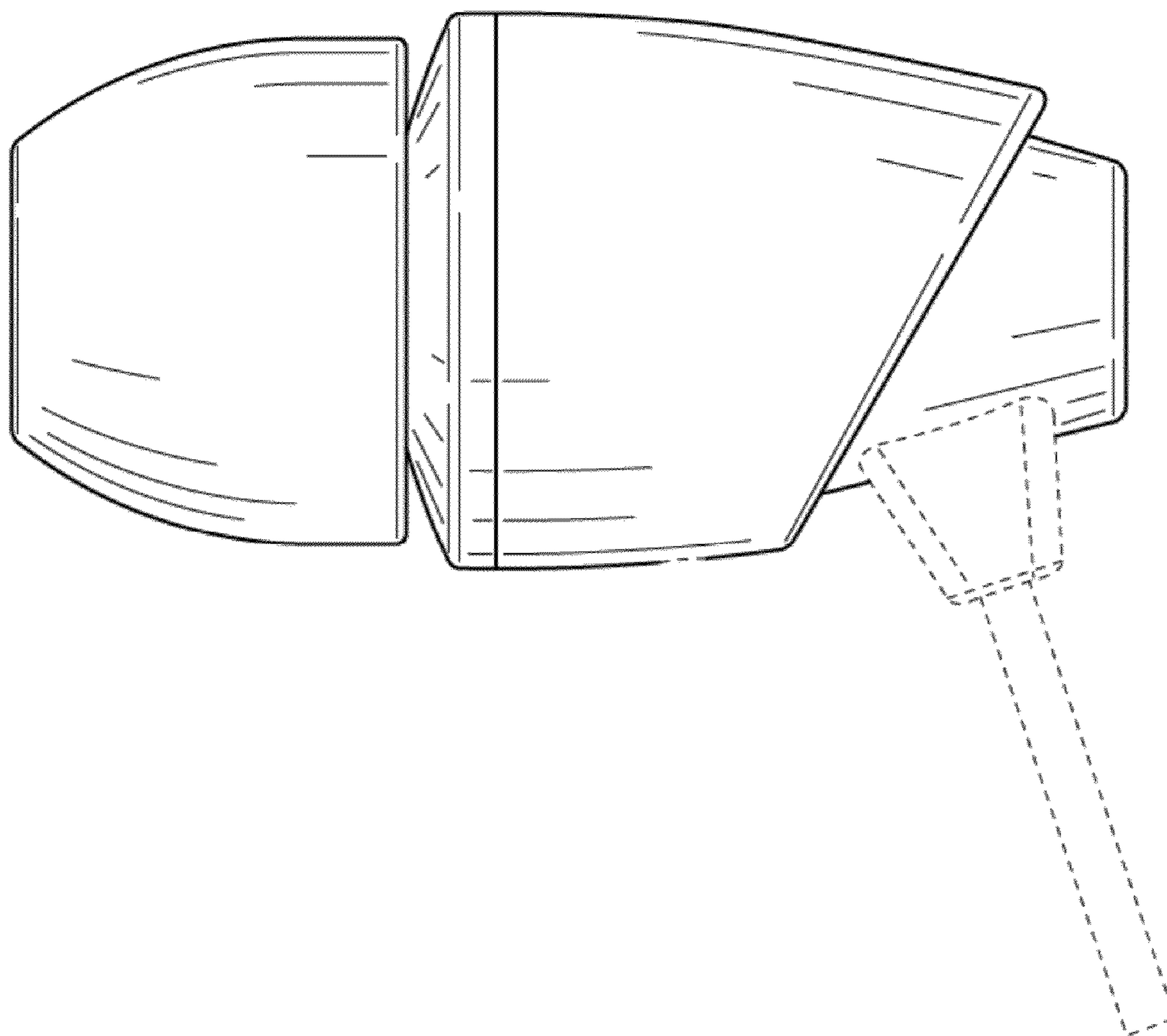


FIG. 4

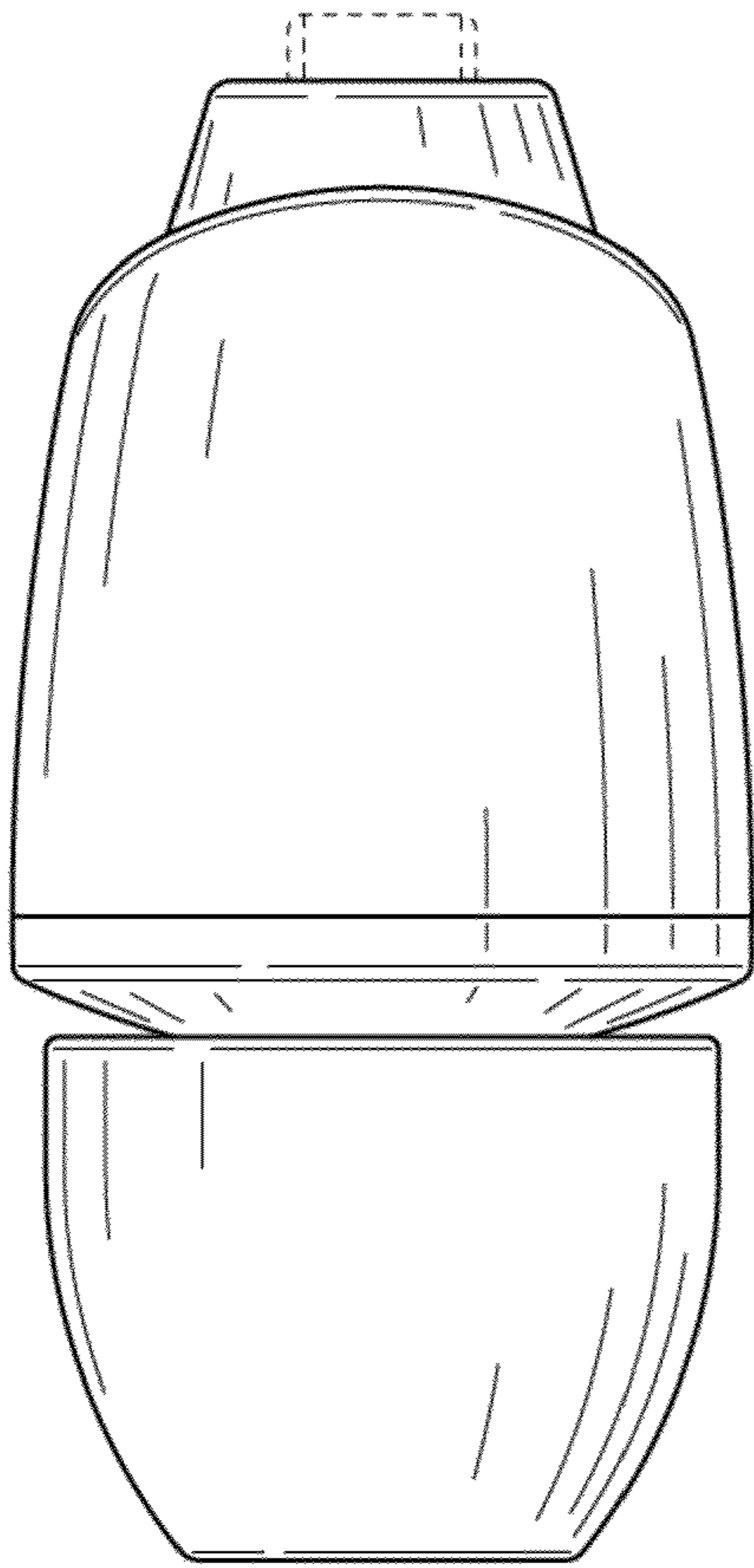


FIG. 5

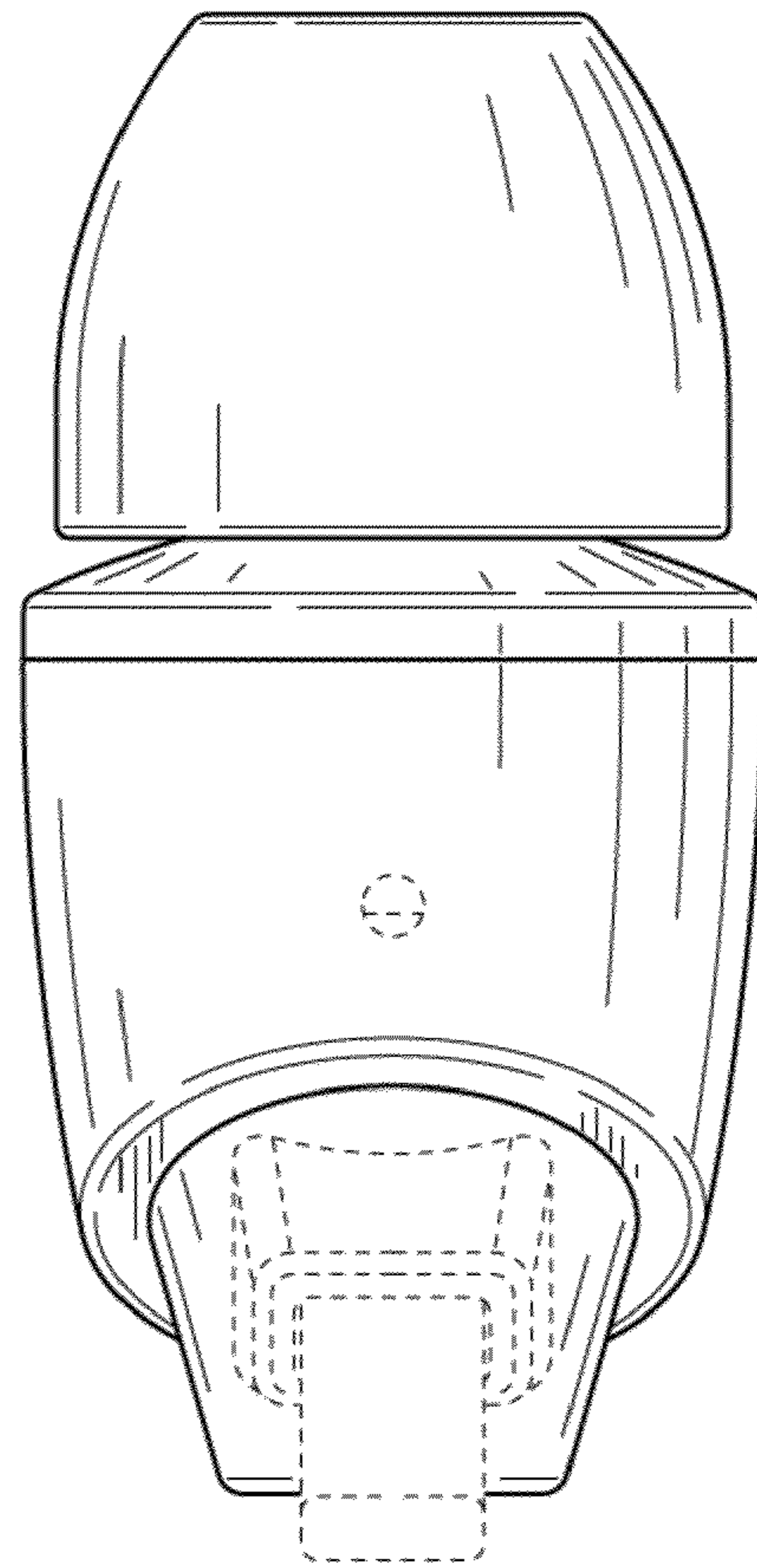


FIG. 6