



US00D678251S

(12) **United States Design Patent**
Cantoni et al.

(10) **Patent No.:** **US D678,251 S**
(45) **Date of Patent:** **** Mar. 19, 2013**

(54) **HEADPHONE**

(75) Inventors: **Alexander Cantoni**, Cranford, NJ (US);
Michael P. Zambelli, Basking Ridge, NJ (US)

(73) Assignee: **Bell'O International Corp.**,
Morganville, NJ (US)

(**) Term: **14 Years**

(21) Appl. No.: **29/413,664**

(22) Filed: **Feb. 17, 2012**

(51) **LOC (9) Cl.** **14-01**

(52) **U.S. Cl.** **D14/223**

(58) **Field of Classification Search** D14/205,
D14/206, 223; 181/129, 130, 135; 379/430,
379/431; 381/380, 381, 337; 455/90.3, 575.1
See application file for complete search history.

(56) **References Cited**

U.S. PATENT DOCUMENTS

D430,146 S	8/2000	Lin	
D519,108 S	4/2006	Yang	
D539,268 S	3/2007	Suzuki	
D554,627 S *	11/2007	Gondo	D14/223
D567,217 S *	4/2008	Kamo et al.	D14/205
D569,841 S *	5/2008	Chung et al.	D14/205
D572,703 S *	7/2008	Ledbetter et al.	D14/205
D576,154 S *	9/2008	Ledbetter et al.	D14/223
D587,681 S *	3/2009	Yanai	D14/205
D589,493 S *	3/2009	Densho	D14/206
D591,721 S *	5/2009	Densho	D14/205
D594,441 S *	6/2009	Lee et al.	D14/205
7,551,748 B2 *	6/2009	Kamo et al.	381/380
D598,894 S *	8/2009	Masuda et al.	D14/205
D599,778 S *	9/2009	Ando	D14/205
D606,971 S *	12/2009	Christopher et al.	D14/205
D606,972 S *	12/2009	Schaefer	D14/205
D627,764 S *	11/2010	Tsai et al.	D14/223

D629,395 S *	12/2010	Lee et al.	D14/223
D631,470 S	1/2011	Yoneyama et al.	
D637,181 S	5/2011	Fuller et al.	
D637,182 S	5/2011	Lee et al.	
D637,585 S	5/2011	Nagayama et al.	
D641,008 S *	7/2011	Lee et al.	D14/223
D642,163 S	7/2011	Lee et al.	
D643,414 S	8/2011	Lee et al.	
D643,416 S *	8/2011	Chong et al.	D14/223
D643,417 S *	8/2011	Lee et al.	D14/223
D643,833 S	8/2011	Lee et al.	
D647,081 S	10/2011	Kwon	
D647,888 S	11/2011	Katsuraku et al.	
D648,316 S	11/2011	Lee et al.	
D650,368 S	12/2011	Lee et al.	
D652,817 S	1/2012	Lee et al.	
D652,822 S	1/2012	Lee et al.	
D660,290 S *	5/2012	Weedon	D14/223
2010/0008528 A1	1/2010	Isvan	

* cited by examiner

Primary Examiner — Paula Greene

(74) *Attorney, Agent, or Firm* — Lerner, David, Littenberg, Krumholz & Mentlik, LLP

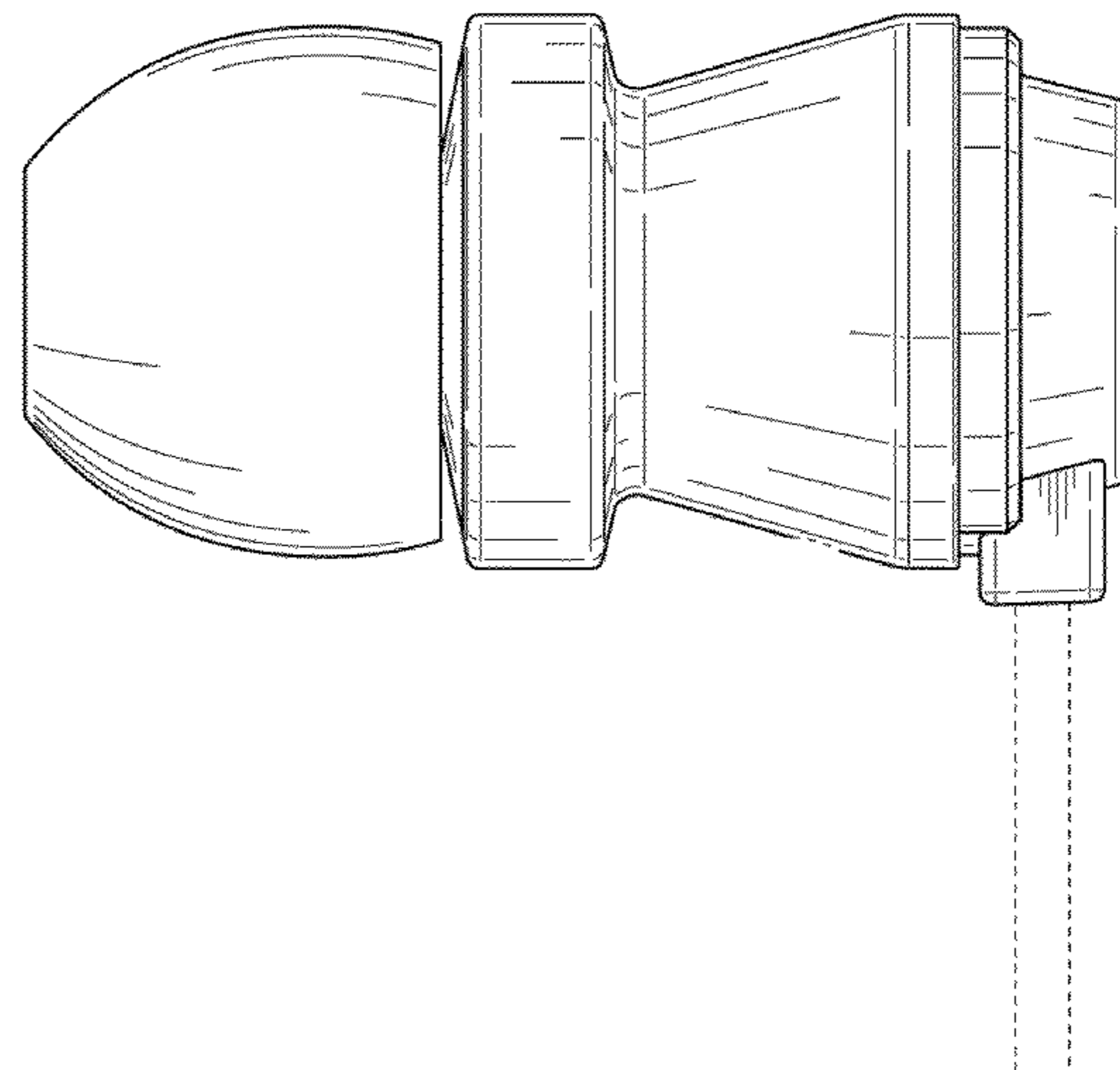
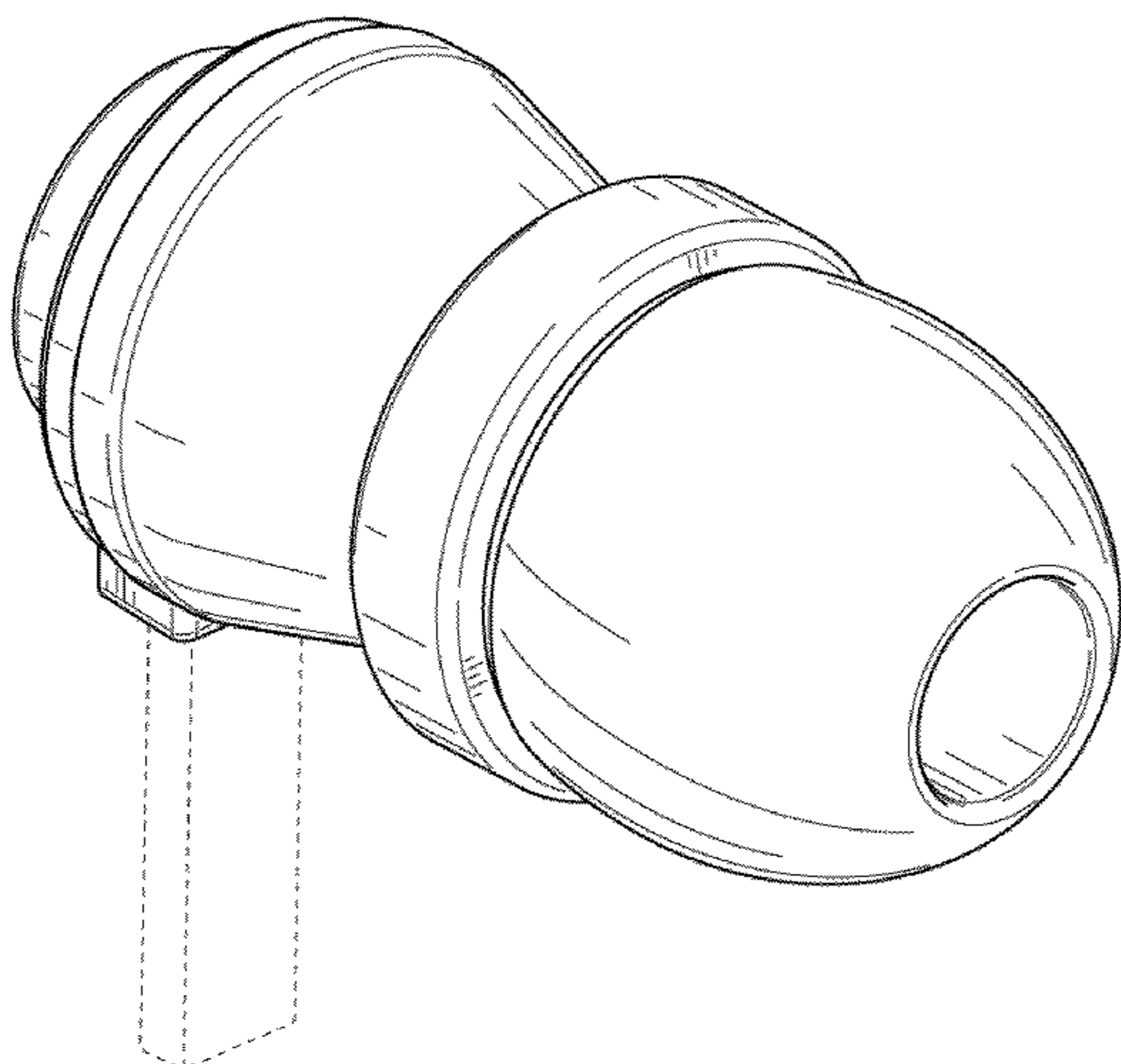
(57) **CLAIM**

The ornamental design for headphone, as shown and described.

DESCRIPTION

FIG. 1 is a perspective view of a headphone showing our new design;
FIG. 2 is a front elevational view thereof;
FIG. 3 is a rear elevational view thereof;
FIG. 4 is right side view thereof (the left side view is a mirror image of the right side view).
FIG. 5 is a top view thereof; and,
FIG. 6 is a bottom view thereof.
The broken lines shown on the drawings are included for the purpose of illustration and form no part of the claimed design.

1 Claim, 3 Drawing Sheets



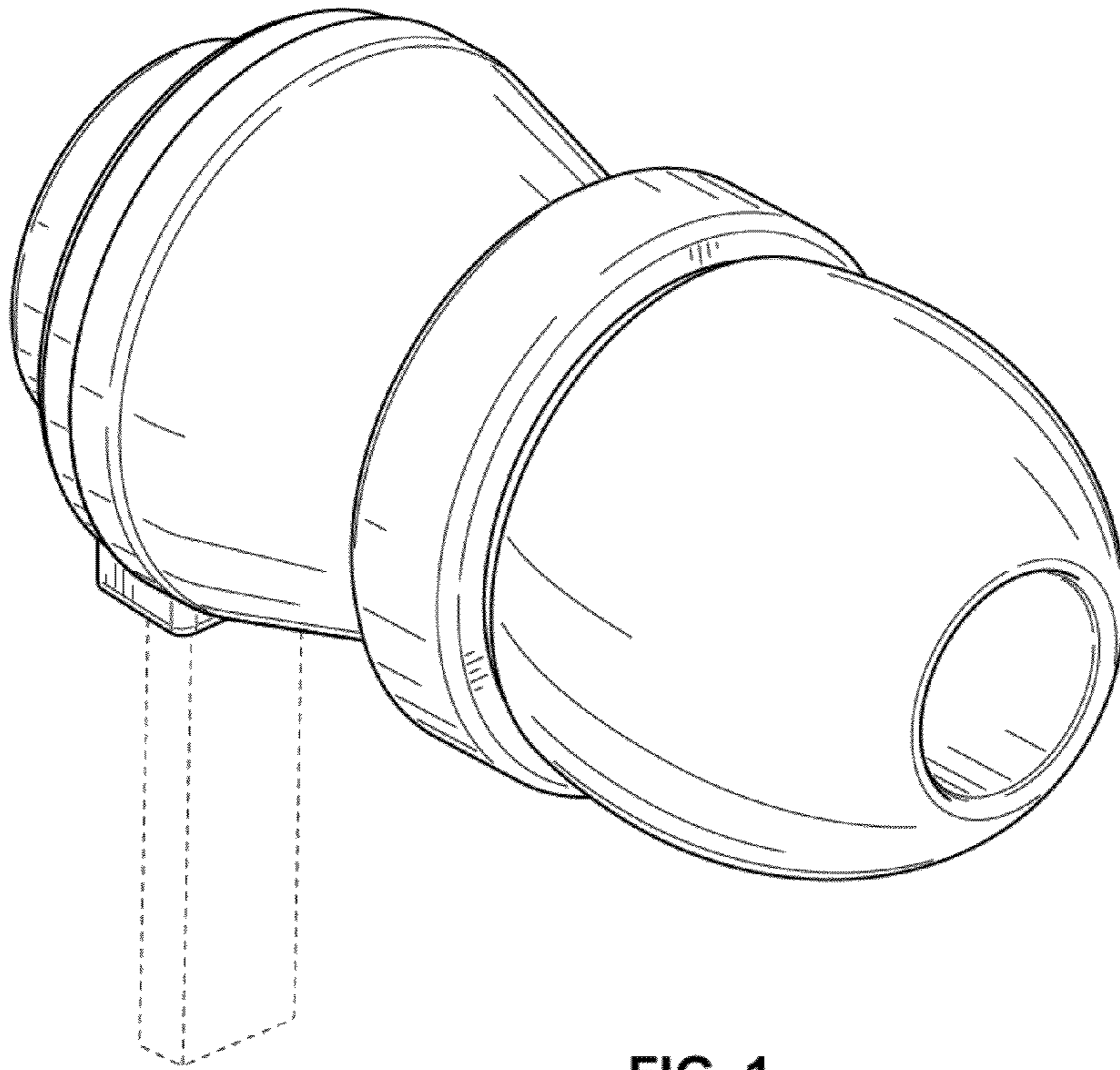


FIG. 1

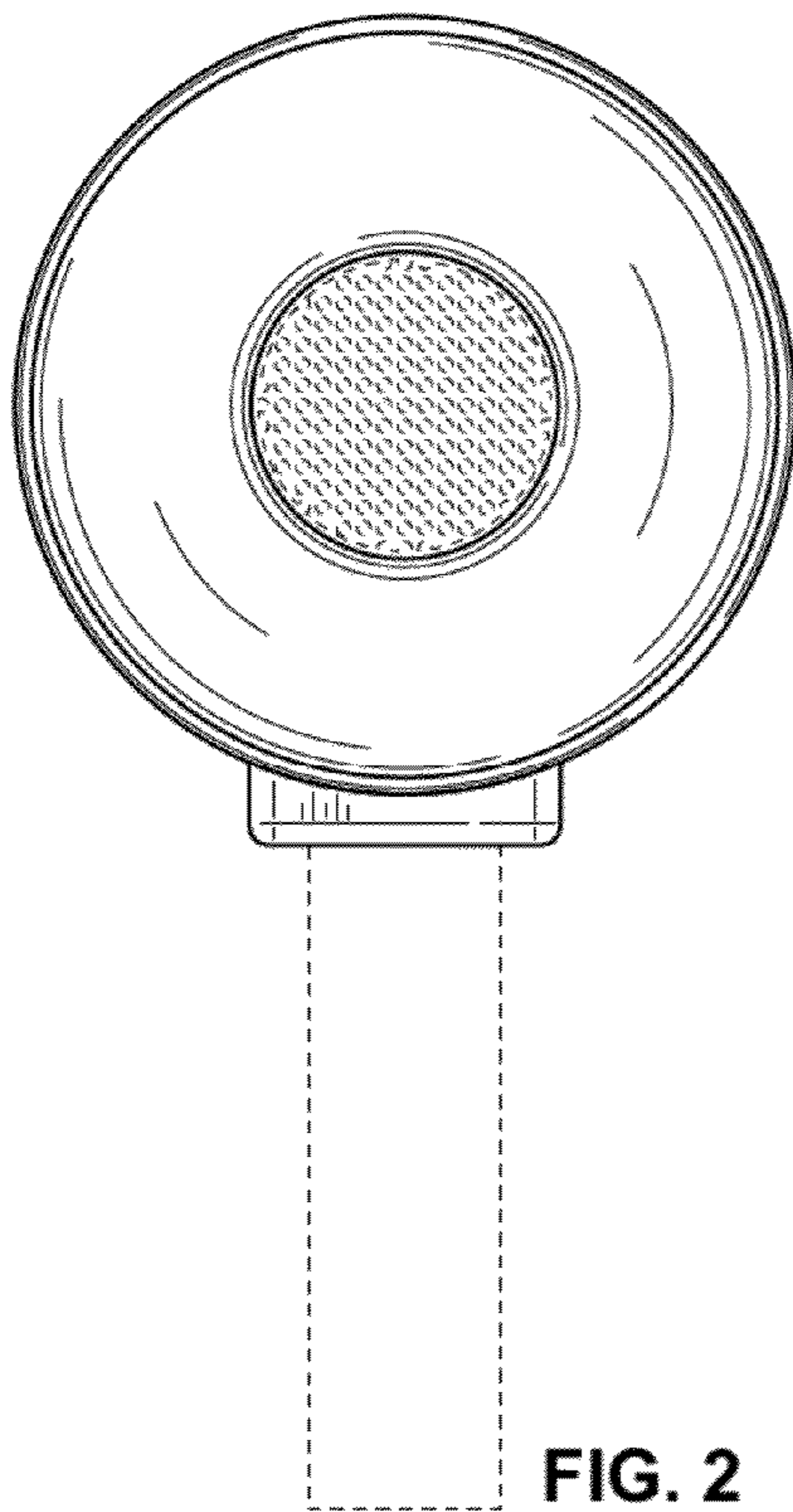


FIG. 2

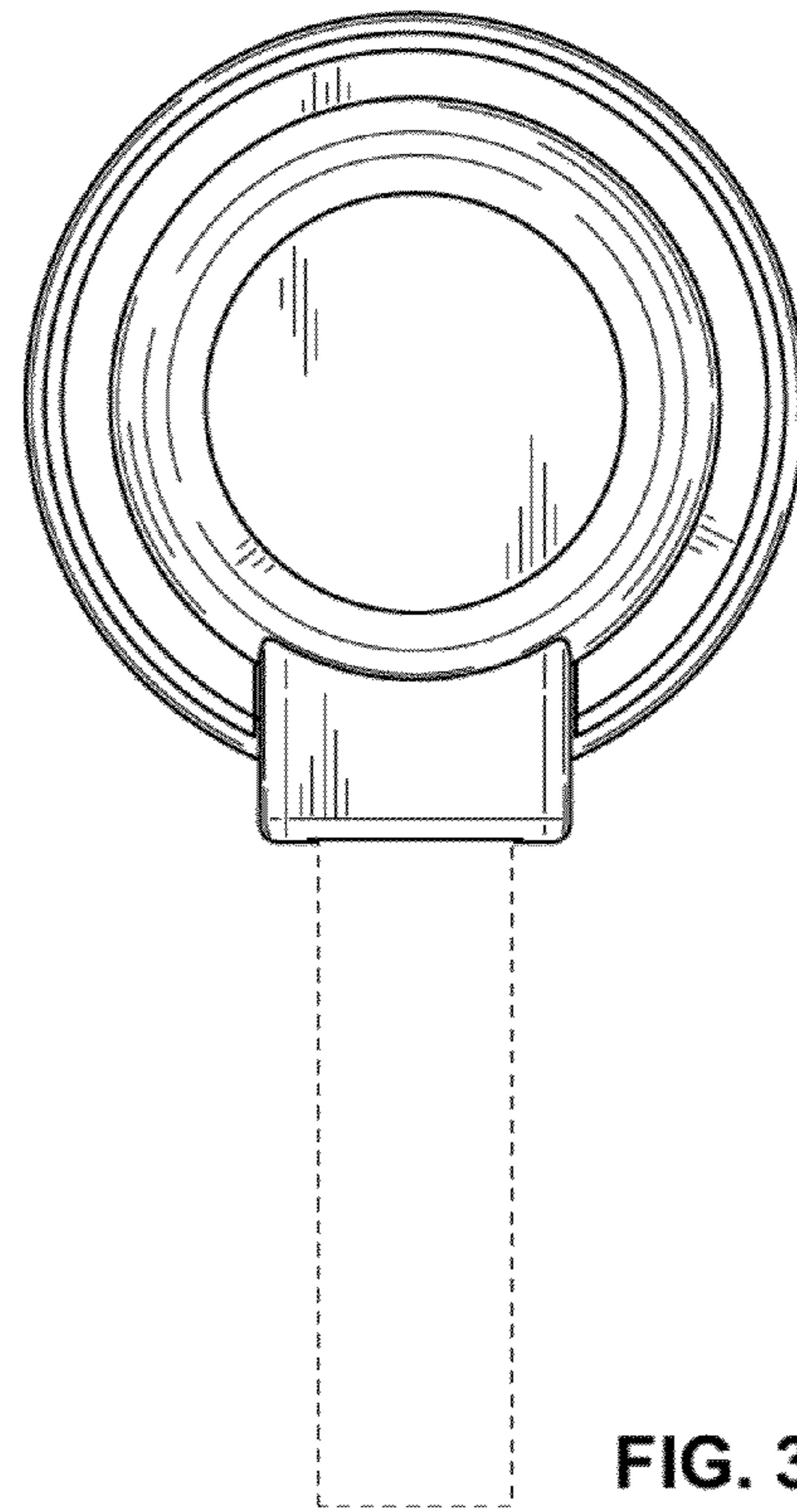


FIG. 3

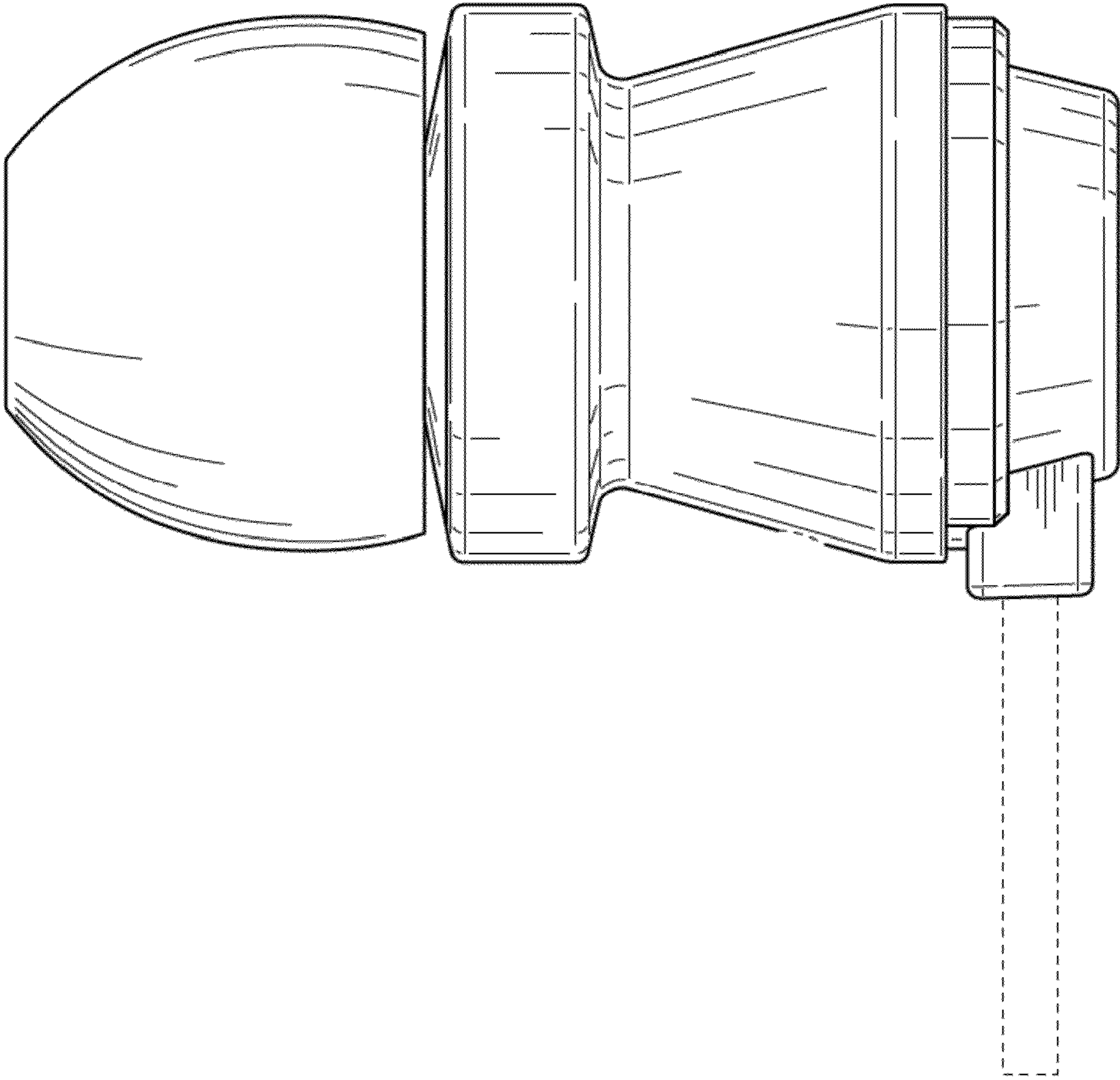


FIG. 4

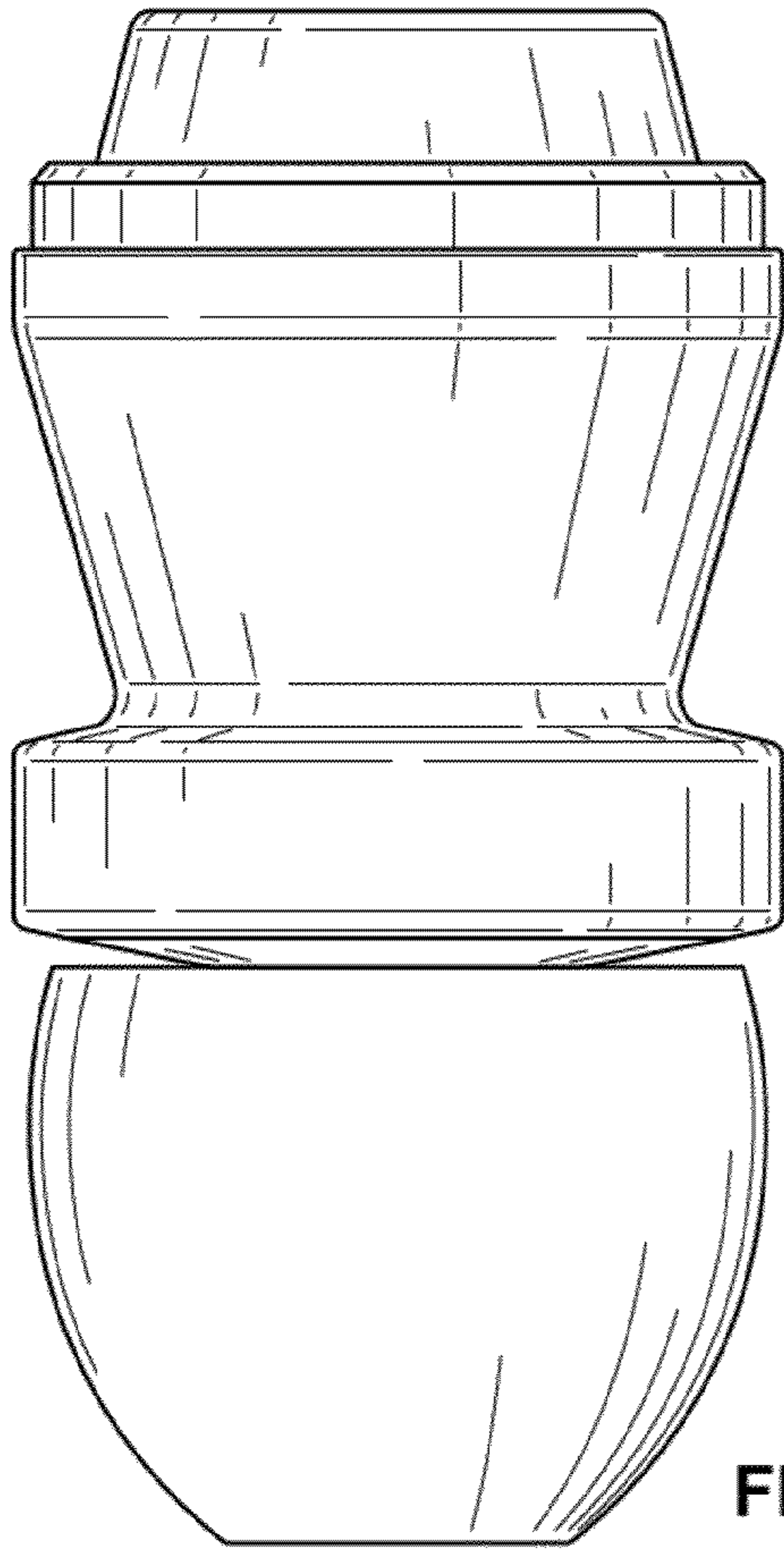


FIG. 5

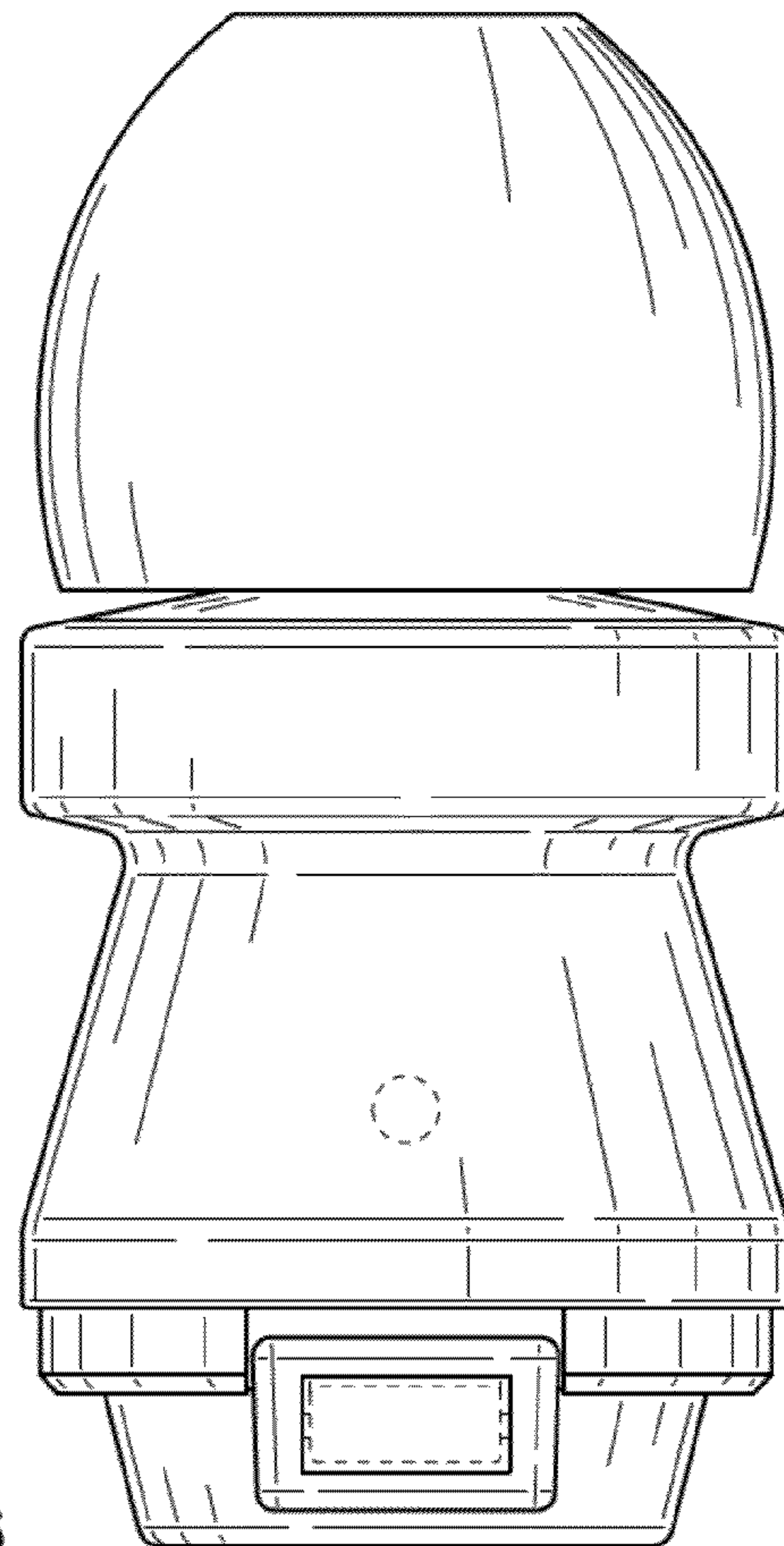


FIG. 6