



US00D678247S

(12) **United States Design Patent**
Matsumura

(10) **Patent No.:** **US D678,247 S**

(45) **Date of Patent:** **** *Mar. 19, 2013**

(54) **SPEAKER FOR AUTOMOBILE**

(75) Inventor: **Takashi Matsumura**, Kawasaki (JP)

(73) Assignee: **Pioneer Corporation**, Kawasaki-shi, Kanagawa (JP)

(*) Notice: This patent is subject to a terminal disclaimer.

(**) Term: **14 Years**

(21) Appl. No.: **29/393,102**

(22) Filed: **May 31, 2011**

(30) **Foreign Application Priority Data**

Dec. 2, 2010 (JP) D2010-028800

(51) **LOC (9) Cl.** **14-01**

(52) **U.S. Cl.** **D14/216; D14/204**

(58) **Field of Classification Search** D14/204,
D14/209-216, 219, 220; 181/143, 144, 147,
181/148, 150, 151, 198, 199, 153; 381/330-302,
381/306, 333, 345, 361-364, 386-388, 332,
381/336

See application file for complete search history.

(56) **References Cited**

U.S. PATENT DOCUMENTS

| | | | | |
|-----------|-----|---------|-----------------|----------|
| 1,666,303 | A * | 4/1928 | Platt | 109/21.5 |
| 4,837,839 | A * | 6/1989 | Andrews | 381/182 |
| 4,965,837 | A * | 10/1990 | Murayama et al. | 381/186 |
| 4,972,675 | A * | 11/1990 | Kawahara et al. | 60/488 |
| D422,206 | S * | 4/2000 | Clark | D8/400 |
| D542,779 | S * | 5/2007 | Pantaleone | D14/216 |
| D579,916 | S * | 11/2008 | Ichikawa | D14/216 |
| D593,542 | S * | 6/2009 | Kurihara | D14/216 |
| D596,620 | S * | 7/2009 | Ichikawa et al. | D14/216 |

| | | | | |
|----------|-----|--------|------------------|---------|
| D608,345 | S * | 1/2010 | Oishi et al. | D14/216 |
| D608,764 | S * | 1/2010 | Oishi et al. | D14/216 |
| D635,551 | S * | 4/2011 | Wada | D14/216 |
| D635,553 | S * | 4/2011 | Yagihashi et al. | D14/216 |

FOREIGN PATENT DOCUMENTS

| | | |
|----|---------|--------|
| JP | 1302642 | 6/2007 |
| JP | 1318734 | 1/2008 |
| JP | 1329080 | 5/2008 |
| JP | 1329110 | 5/2008 |

OTHER PUBLICATIONS

U.S. Appl. No. 29/393,099, filed May 31, 2011, Takashi Matsumura.
U.S. Office Action dated Aug. 2, 2012 that issued in U.S. Appl. No. 29/393,099 including a Double Patenting Rejection on pp. 4-5.

* cited by examiner

Primary Examiner — Prabhakar Deshmukh

(74) *Attorney, Agent, or Firm* — Drinker Biddle & Reath LLP

(57) **CLAIM**

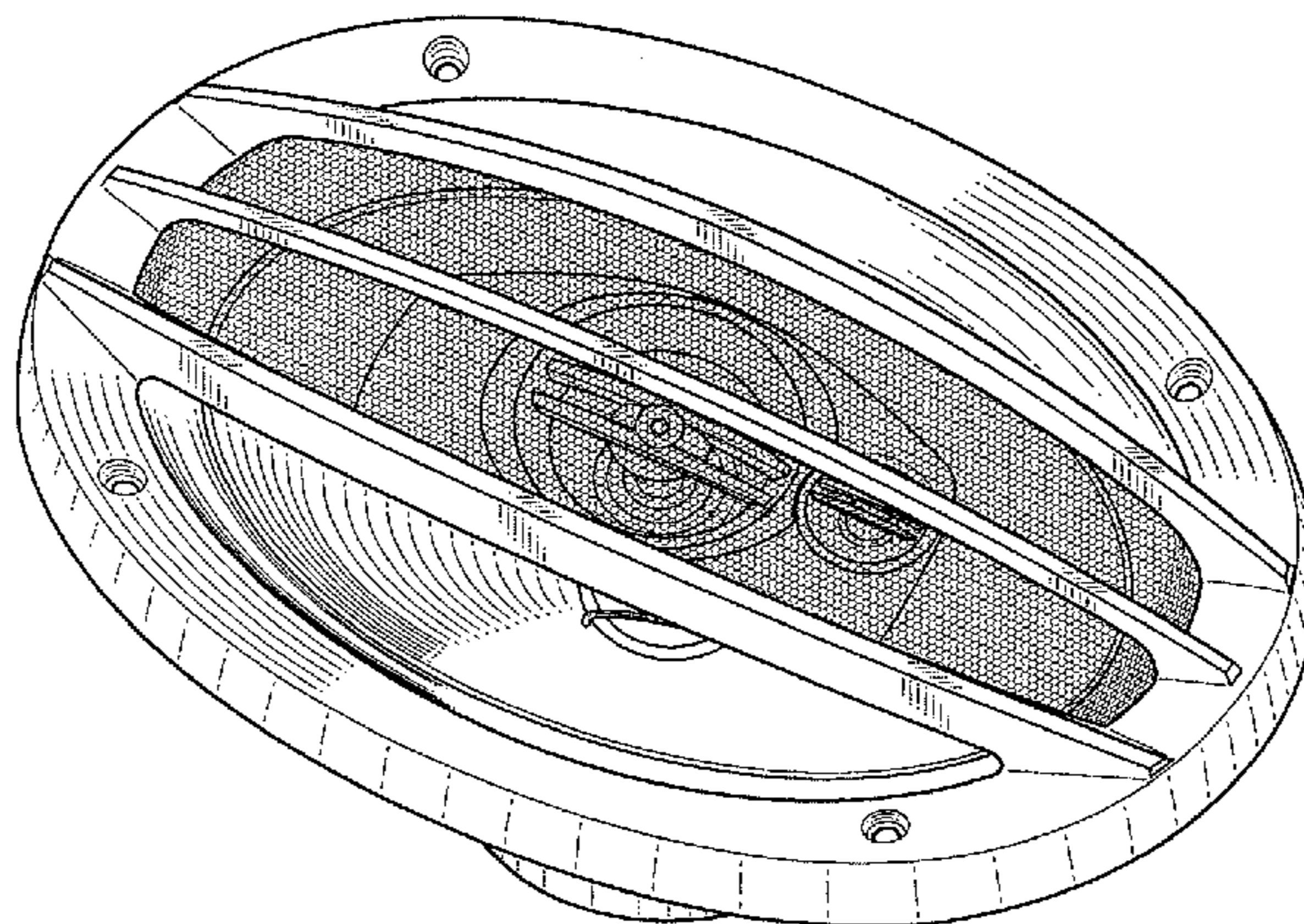
The ornamental design for a speaker for automobile, as shown and described.

DESCRIPTION

FIG. 1 is a perspective view of the front, bottom and right side of a speaker for automobile showing my new design;
FIG. 2 is a right side view thereof;
FIG. 3 is a left side view thereof;
FIG. 4 is a front view thereof;
FIG. 5 is a front view showing a state without the grill thereof;
FIG. 6 is a bottom view thereof;
FIG. 7 is a top plan view thereof; and,
FIG. 8 is a rear view thereof.

The elements shown in broken lines are for illustrative purposes only and form no part of the claimed design.

1 Claim, 5 Drawing Sheets



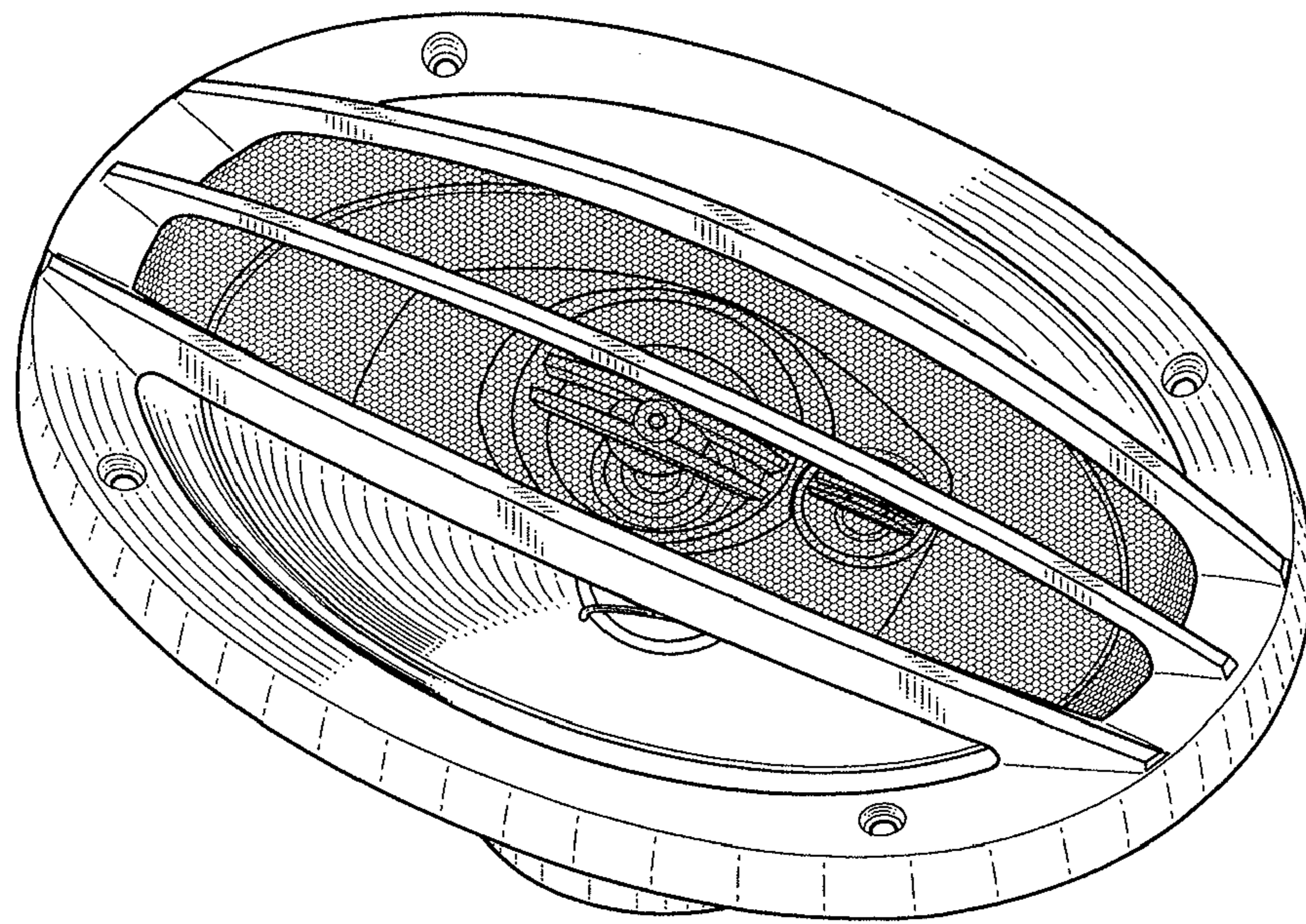


FIG. 1

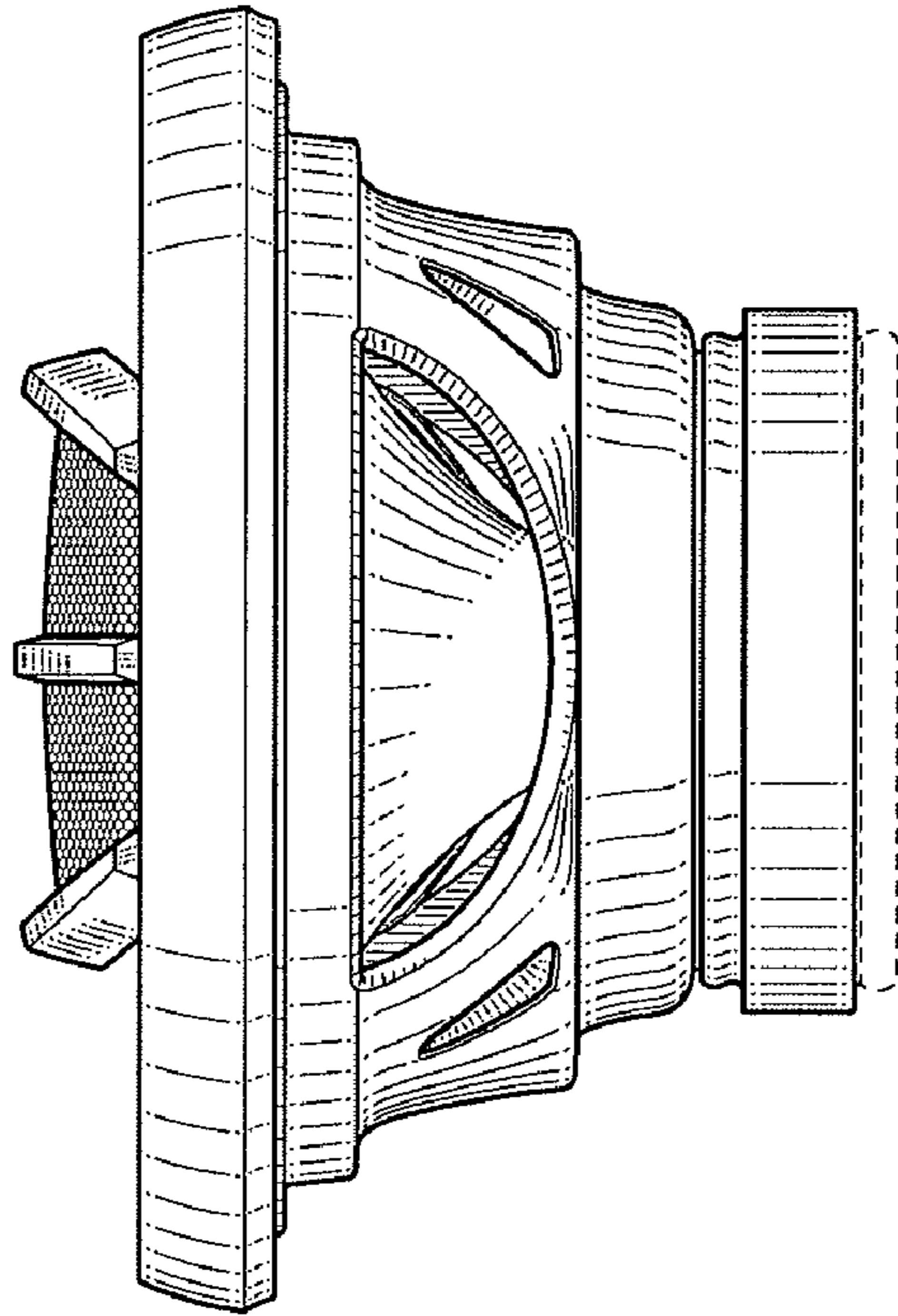


FIG. 2

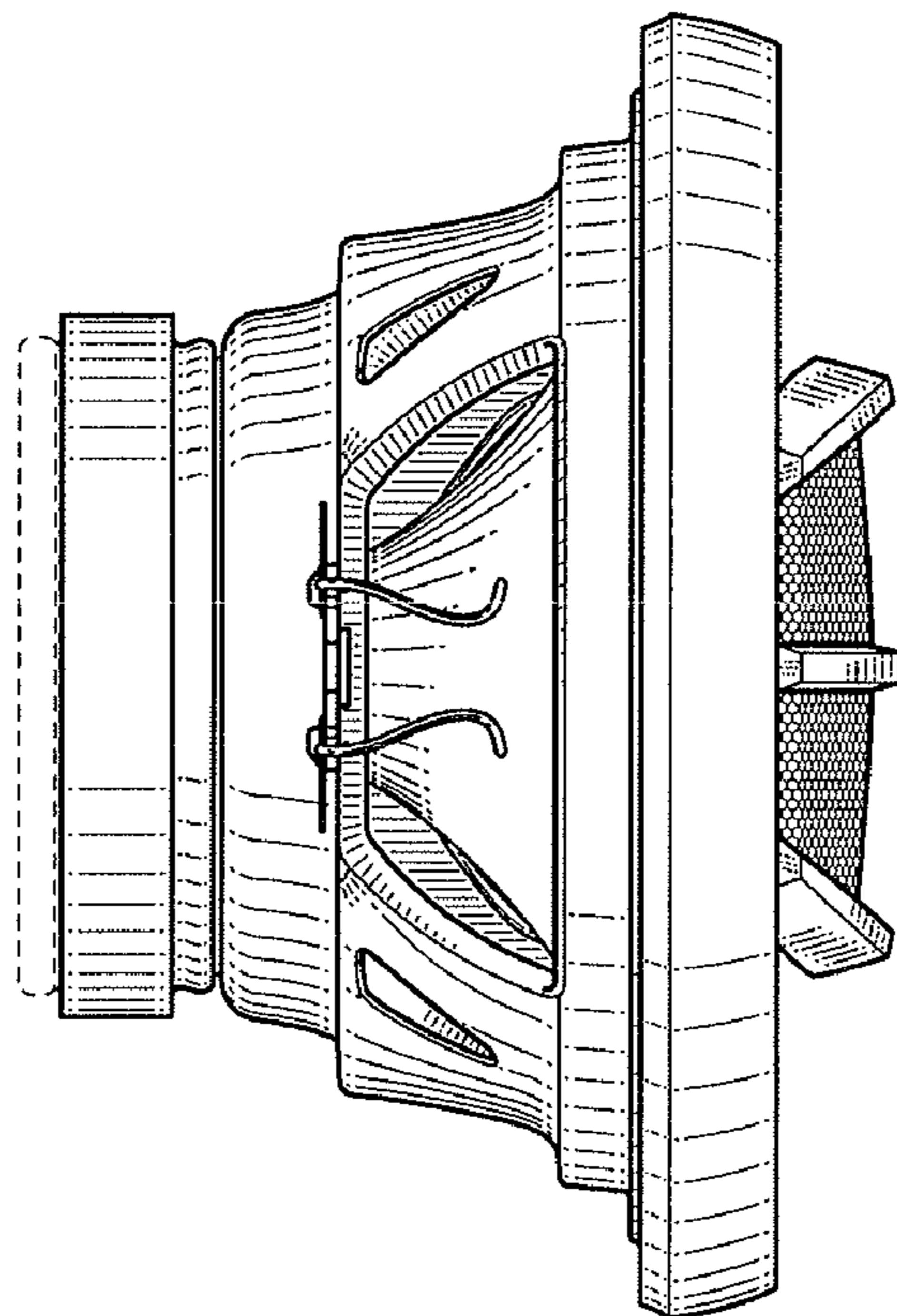


FIG. 3

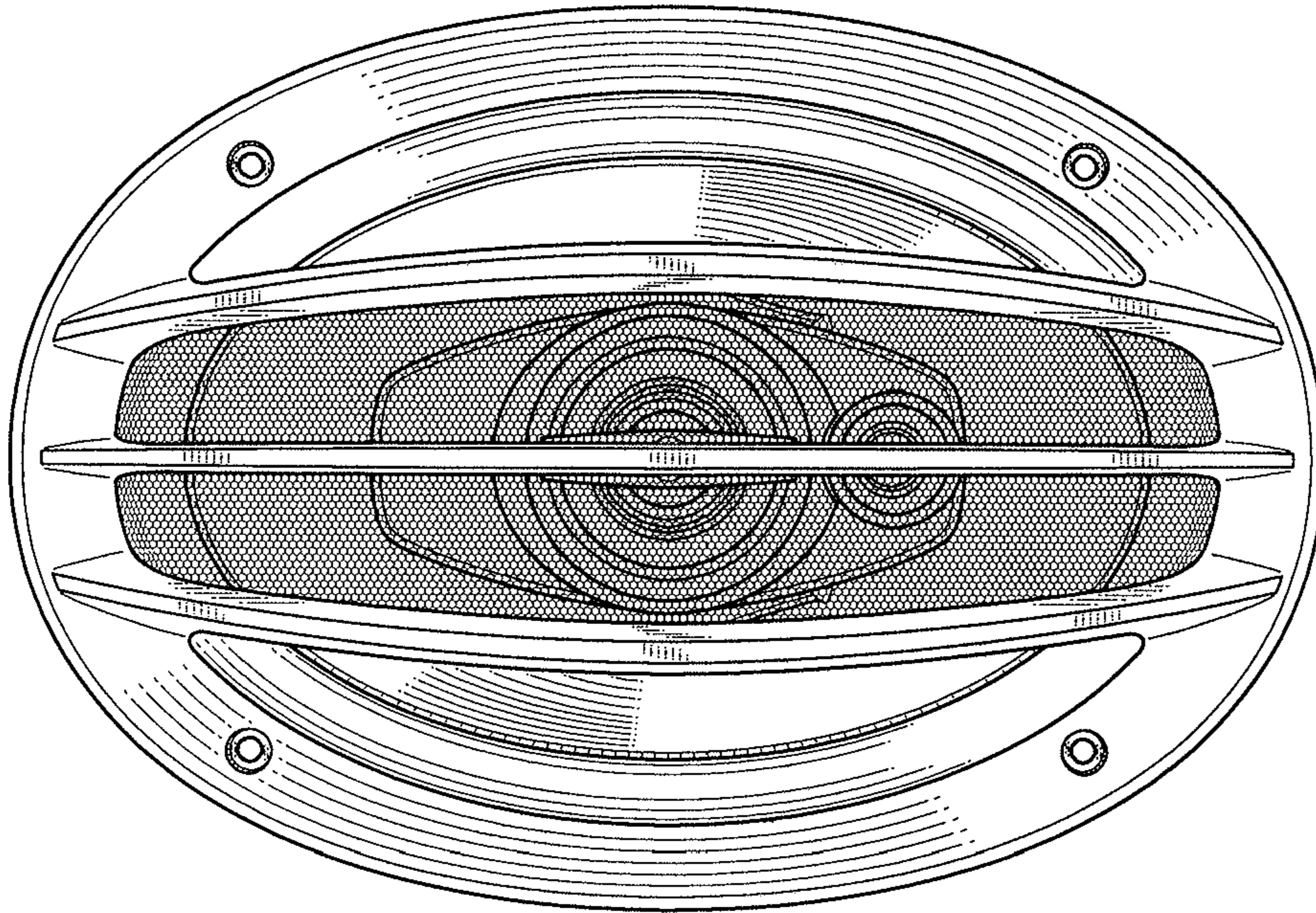


FIG. 4

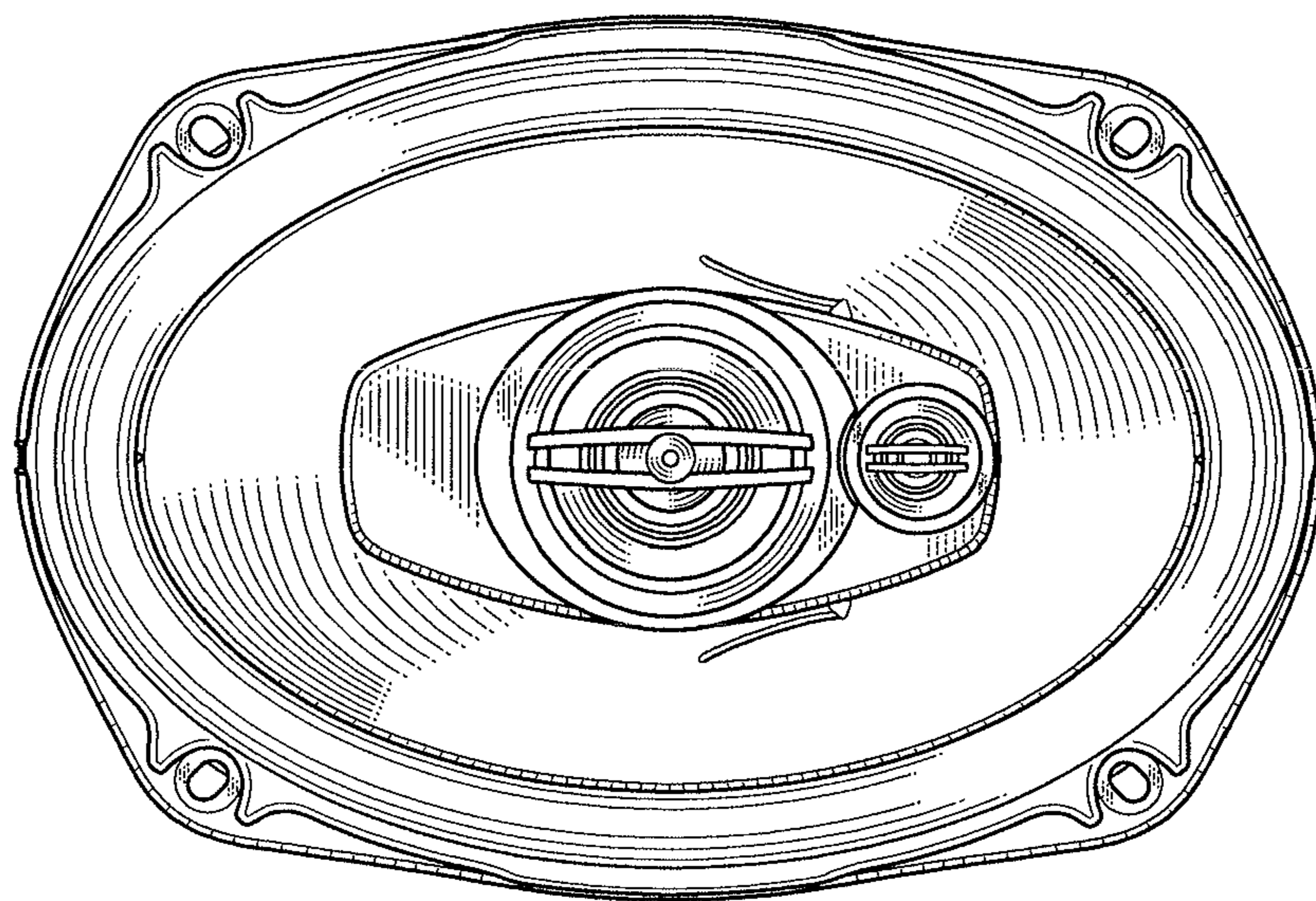


FIG. 5

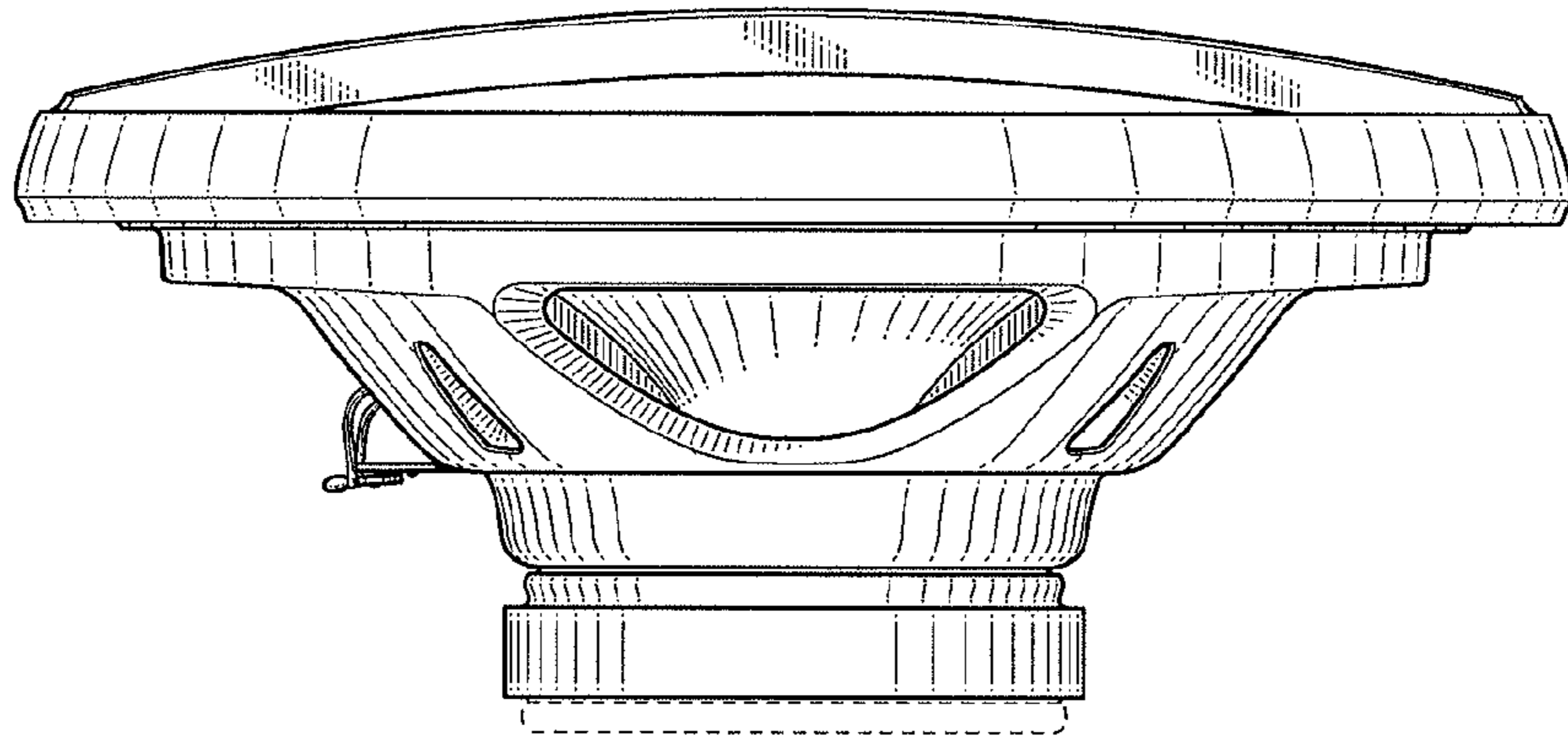


FIG. 6

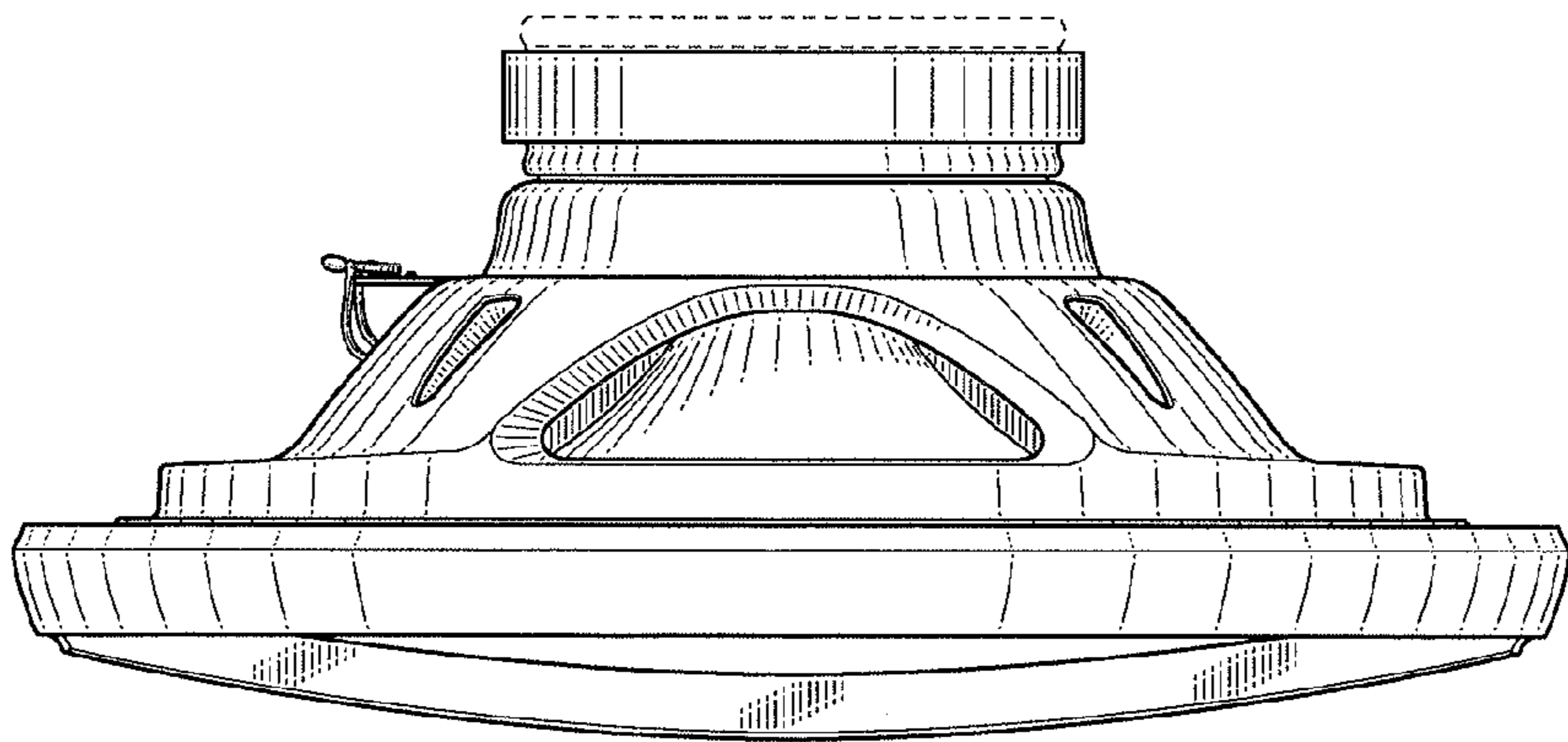


FIG. 7

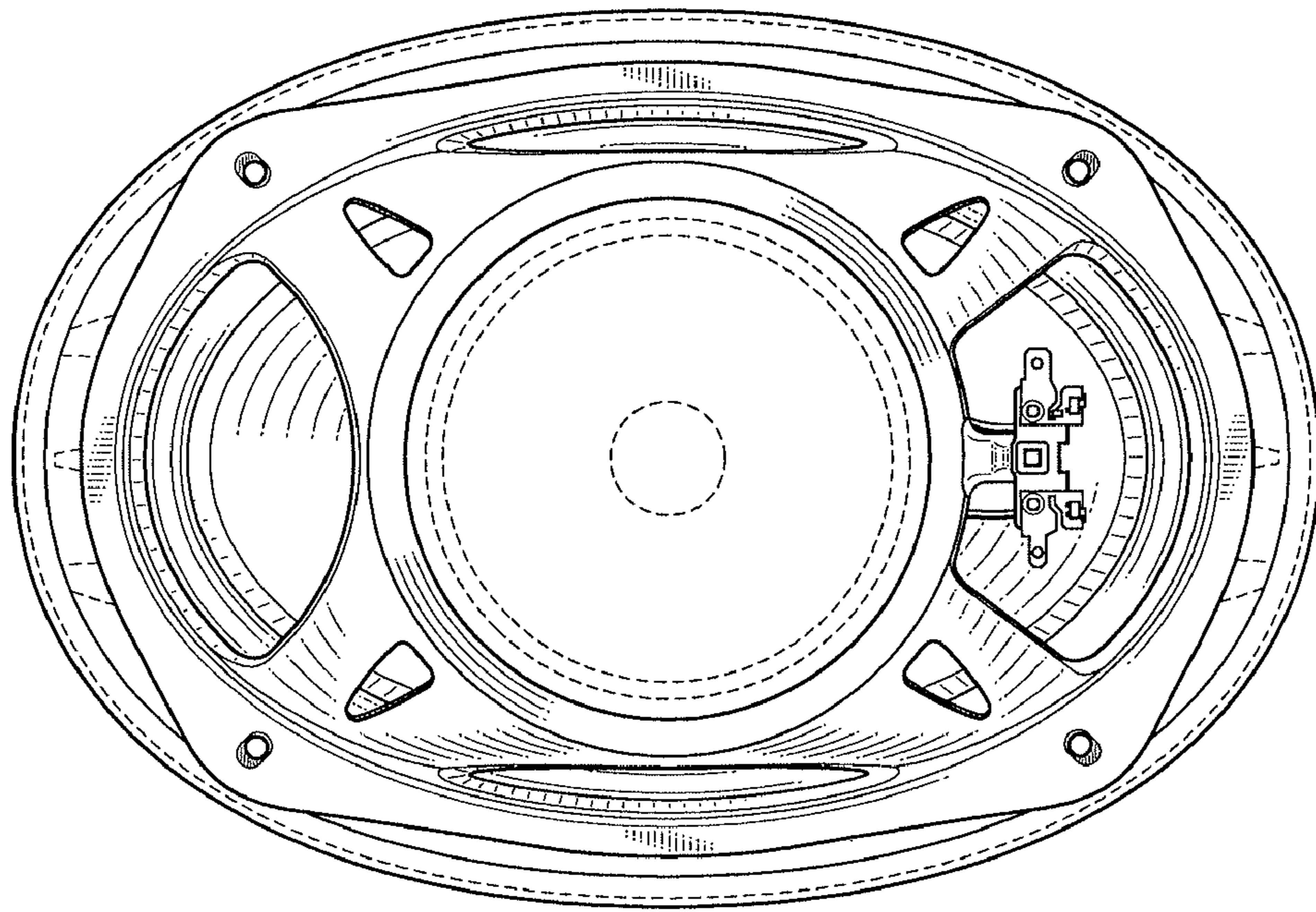


FIG. 8