



US00D678245S

(12) **United States Design Patent**
Davies et al.

(10) **Patent No.:** **US D678,245 S**
(45) **Date of Patent:** **** Mar. 19, 2013**

(54) **LOUDSPEAKER**

(75) Inventors: **Simon Davies**, Hong Kong (HK);
Patrick Ho, Hong Kong (HK); **Yang Jack Chang**, New Territories (HK);
Graham Allen, Kent (GB)

(73) Assignee: **GP Acoustics International Limited**,
New Territories (HK)

(**) Term: **14 Years**

(21) Appl. No.: **29/400,335**

(22) Filed: **Aug. 26, 2011**

(30) **Foreign Application Priority Data**

Aug. 12, 2011 (HK) 1101376.0M003

(51) **LOC (9) Cl.** **14-01**

(52) **U.S. Cl.** **D14/215**

(58) **Field of Classification Search** D14/204,
D14/218, 172, 210–216; 181/143, 147, 148,
181/150, 153, 157, 198, 199, 166, 144;
381/300–303, 306, 332, 333, 336, 345, 361–364,
381/370, 386–388

See application file for complete search history.

(56) **References Cited**

U.S. PATENT DOCUMENTS

5,067,583 A * 11/1991 Hathaway 181/151
5,933,509 A * 8/1999 Wu 381/345

D437,307 S * 2/2001 Tejima D14/215
6,561,311 B2 * 5/2003 Chuang 181/199
D486,142 S * 2/2004 Shin et al. D14/215
6,966,651 B2 * 11/2005 Johnson 353/15
D542,777 S * 5/2007 Sato D14/215
D578,511 S * 10/2008 Ang et al. D14/215
D598,897 S * 8/2009 Arneson et al. D14/214
D628,558 S * 12/2010 Vercelli et al. D14/215
D643,021 S * 8/2011 Khoo et al. D14/215
D645,453 S * 9/2011 Kim et al. D14/215
D657,777 S * 4/2012 Jursch et al. D14/215

* cited by examiner

Primary Examiner — Prabhakar Deshmukh

(74) *Attorney, Agent, or Firm* — Pearne & Gordon LLP

(57) **CLAIM**

The ornamental design for a loudspeaker, as shown and described.

DESCRIPTION

FIG. 1 is a front view of a loudspeaker showing our new design;

FIG. 2 is a rear view thereof;

FIG. 3 is a left side view thereof;

FIG. 4 is a right side view thereof;

FIG. 5 is a top plan view thereof;

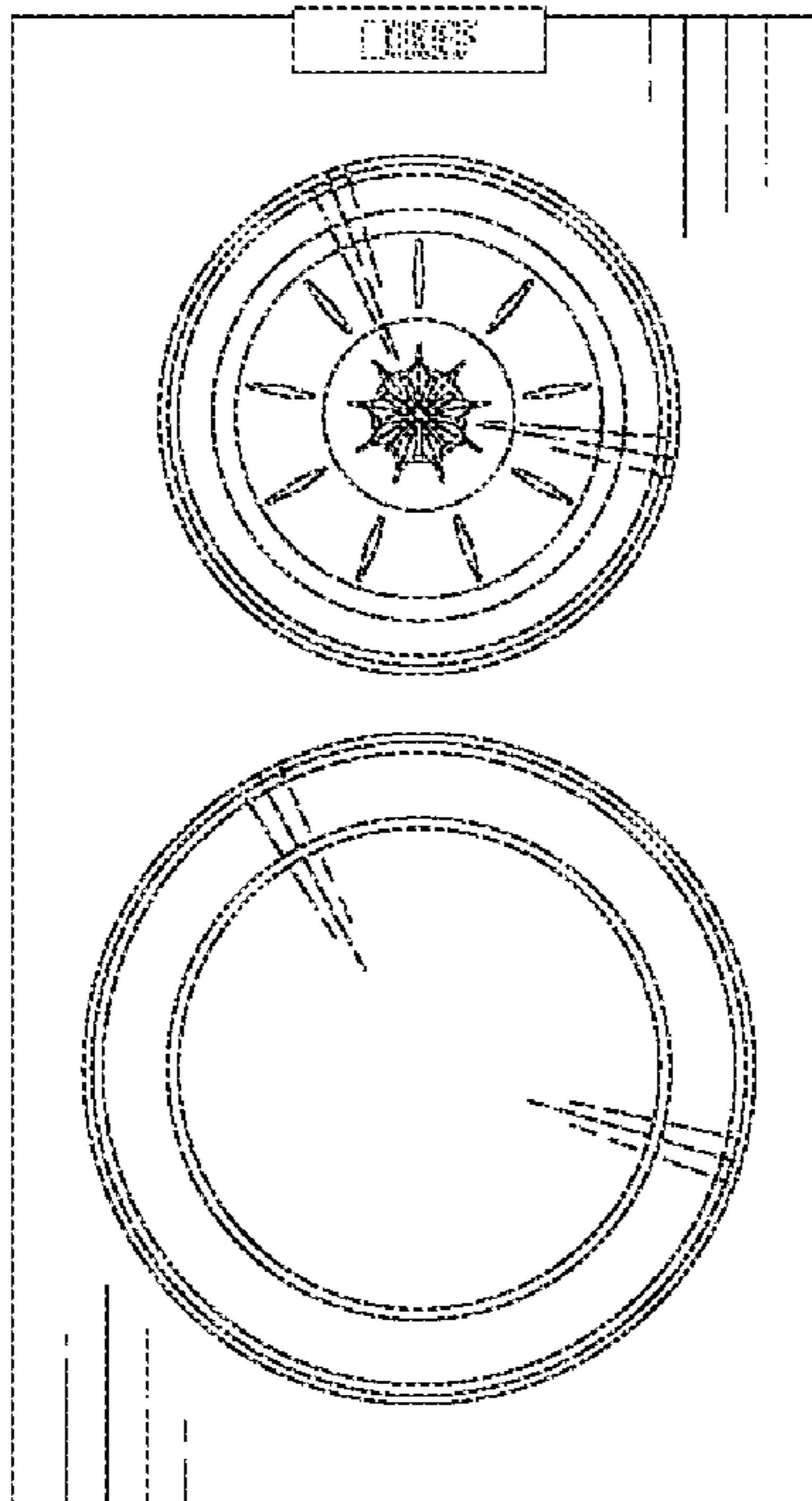
FIG. 6 is a bottom plan view thereof;

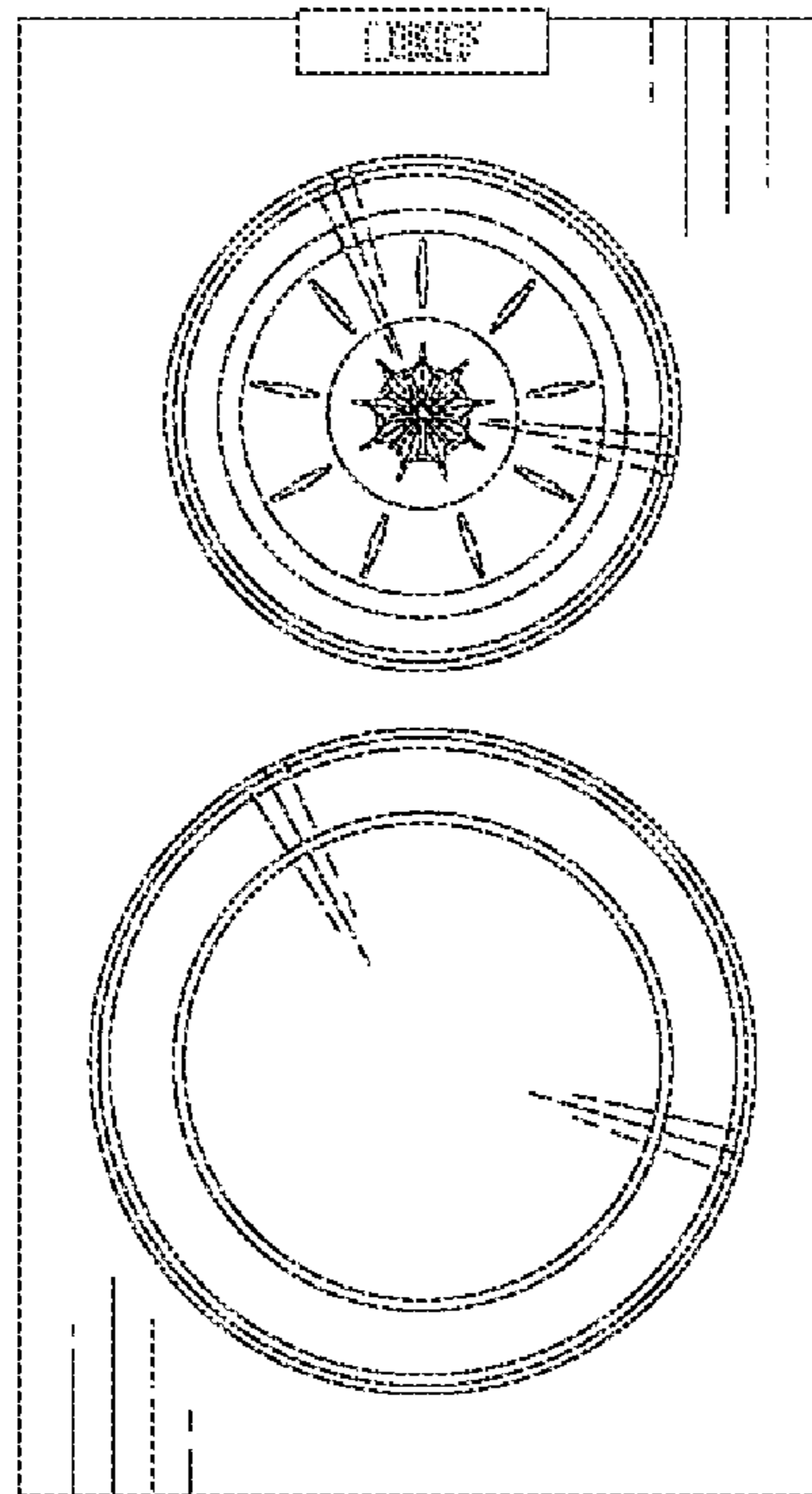
FIG. 7 is a front perspective view thereof; and,

FIG. 8 is a rear perspective view thereof.

The broken line showing on the drawing disclosure is for illustrative purposes only and forms no part of the claimed design.

1 Claim, 8 Drawing Sheets





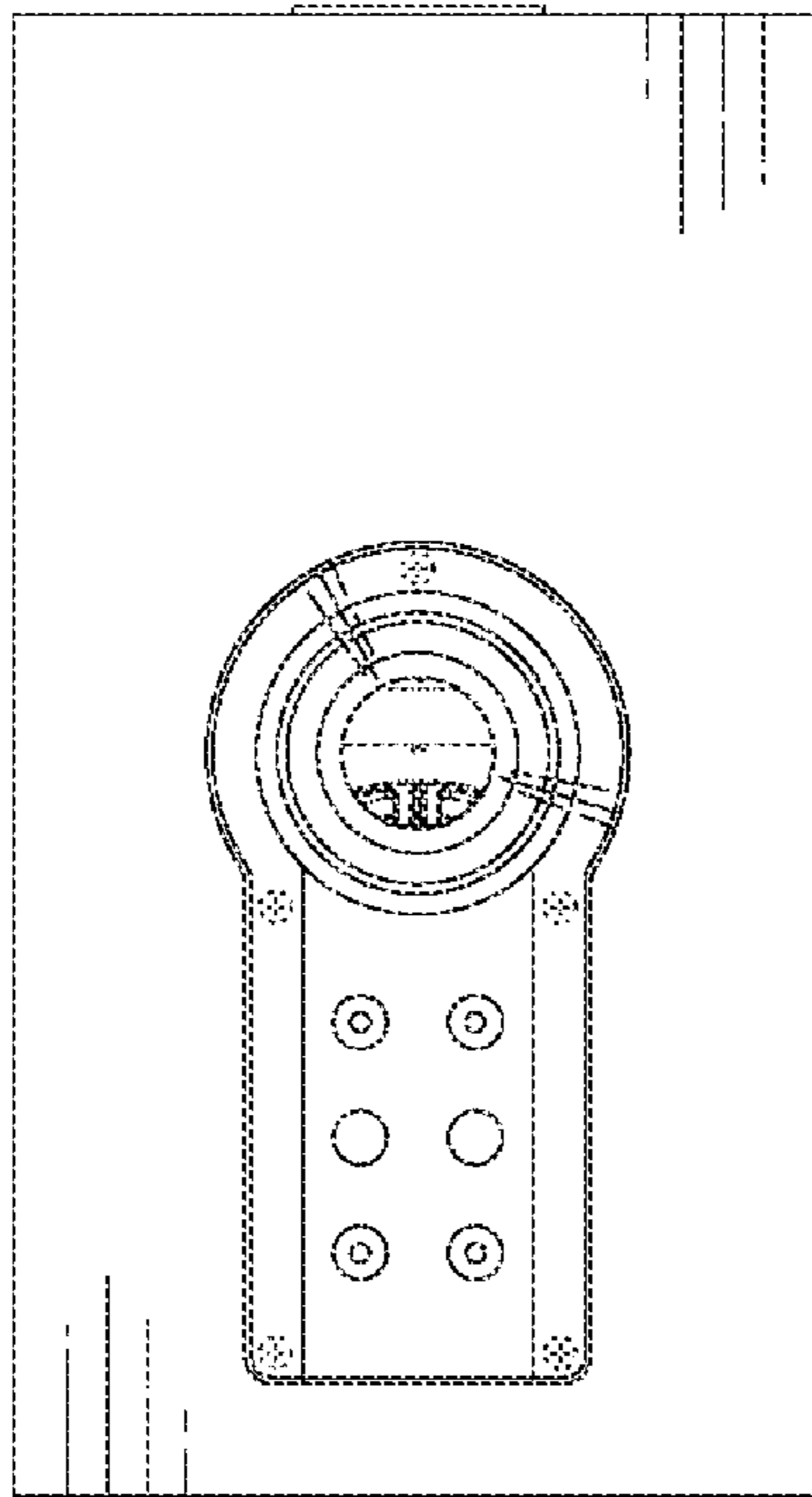


FIG. 2

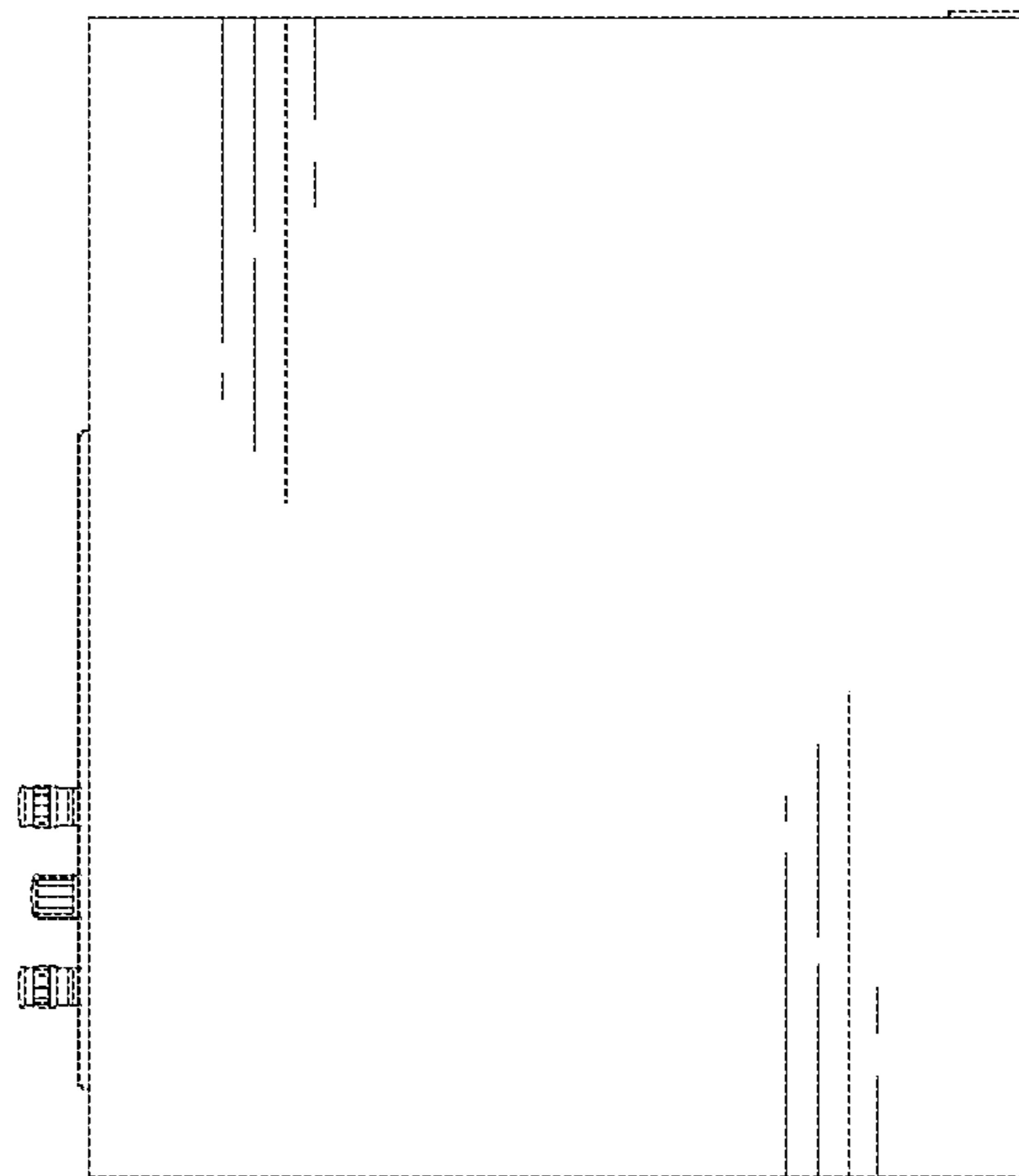


FIG. 3

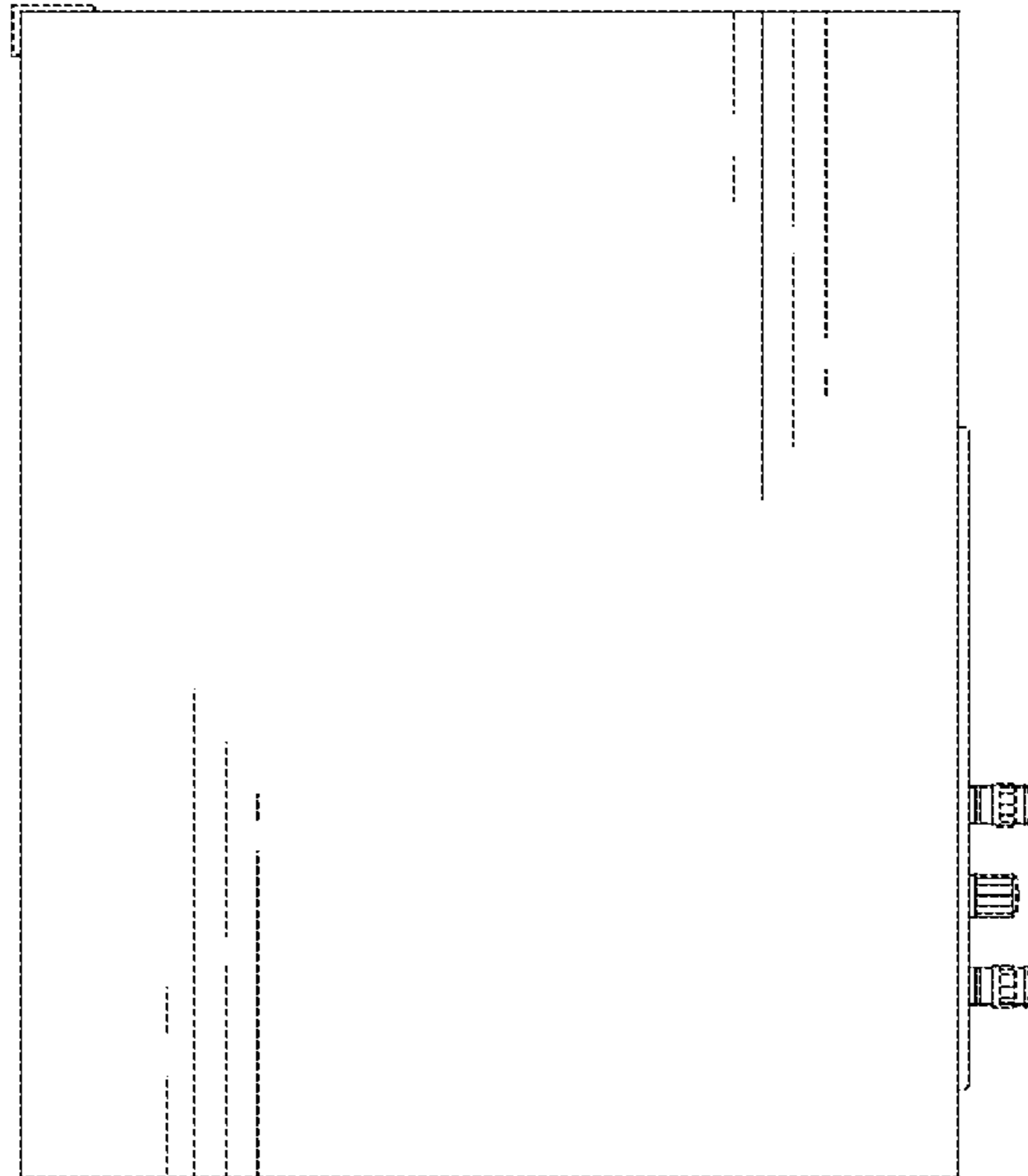


FIG. 4

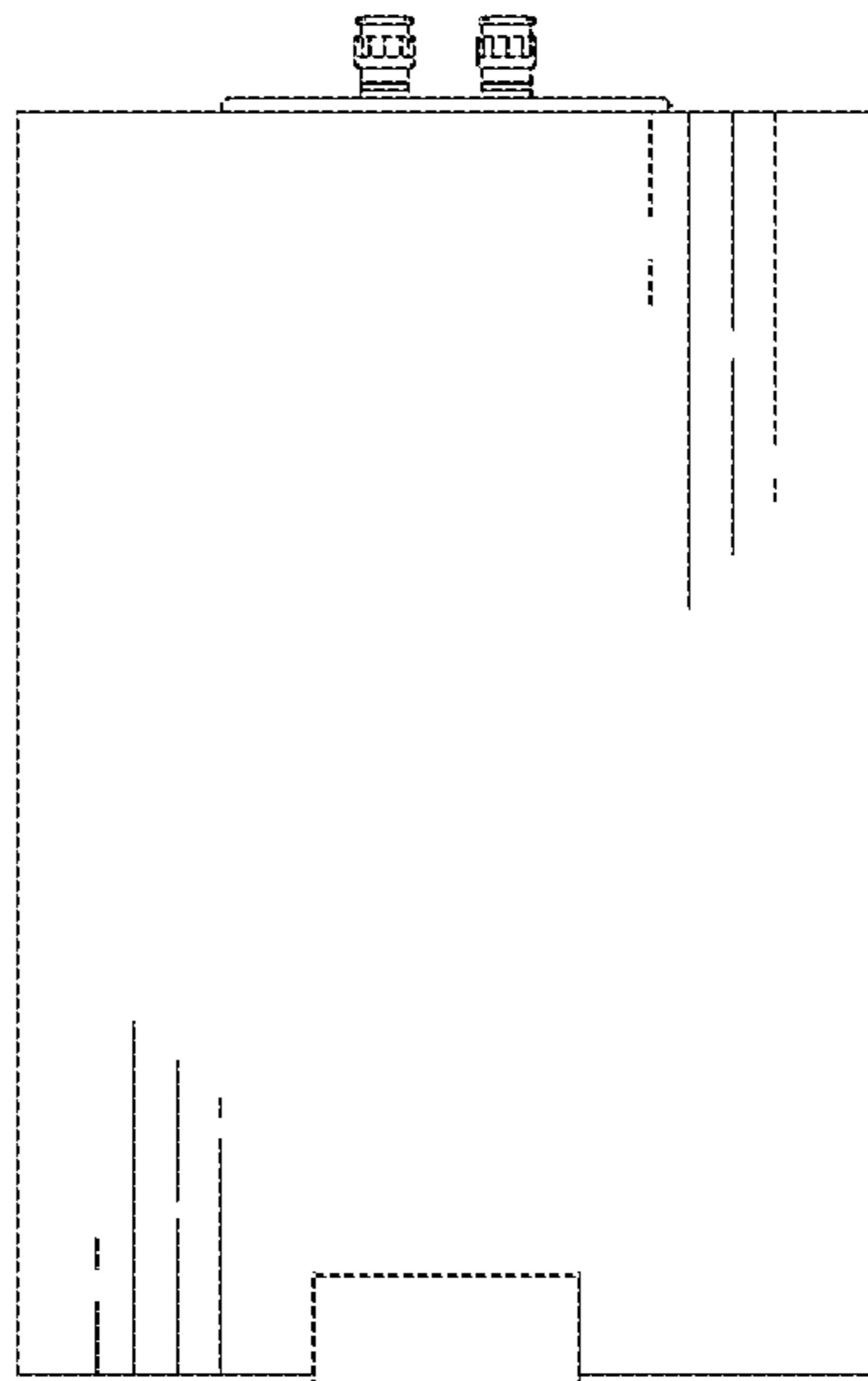


FIG. 5

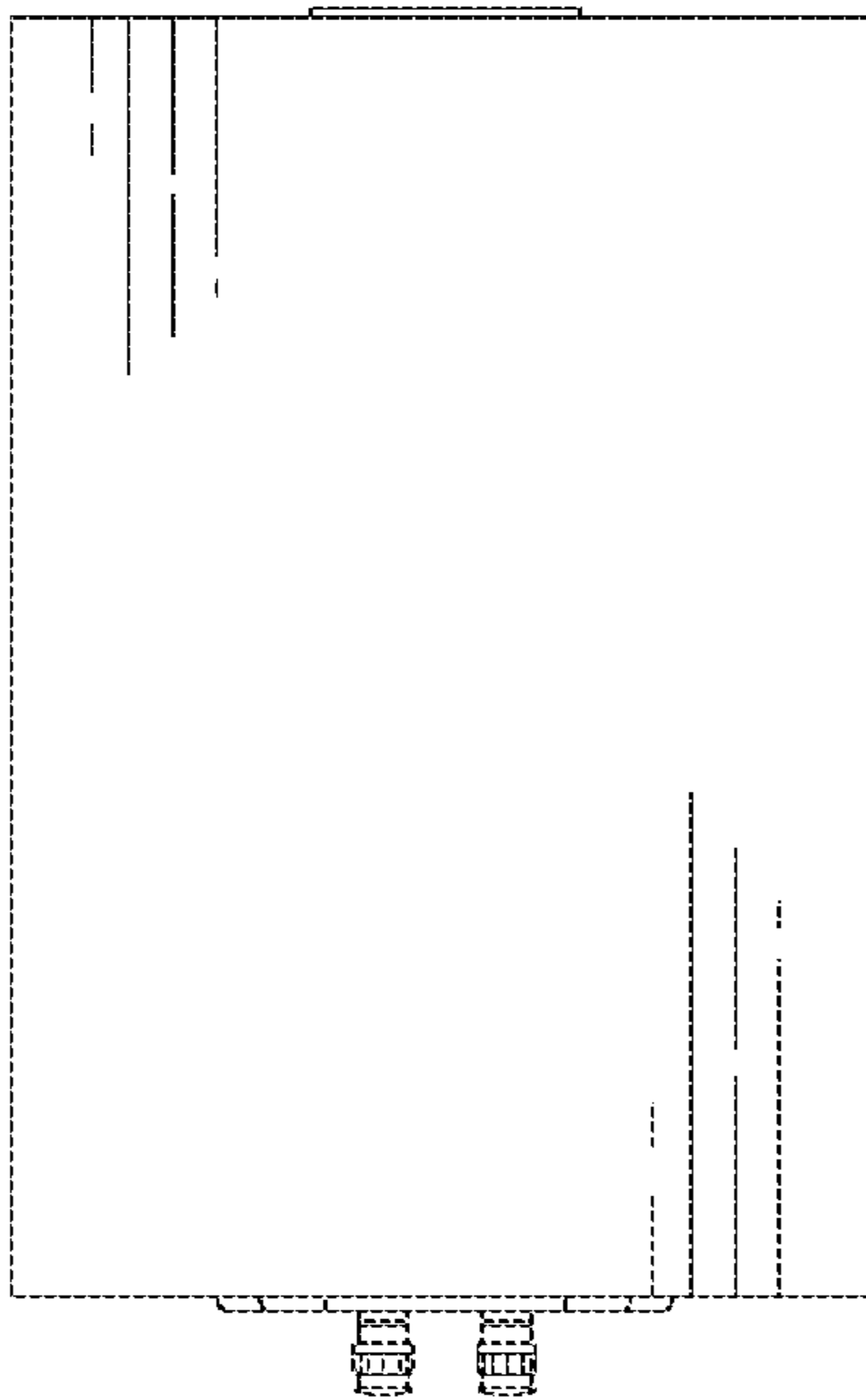


FIG. 6

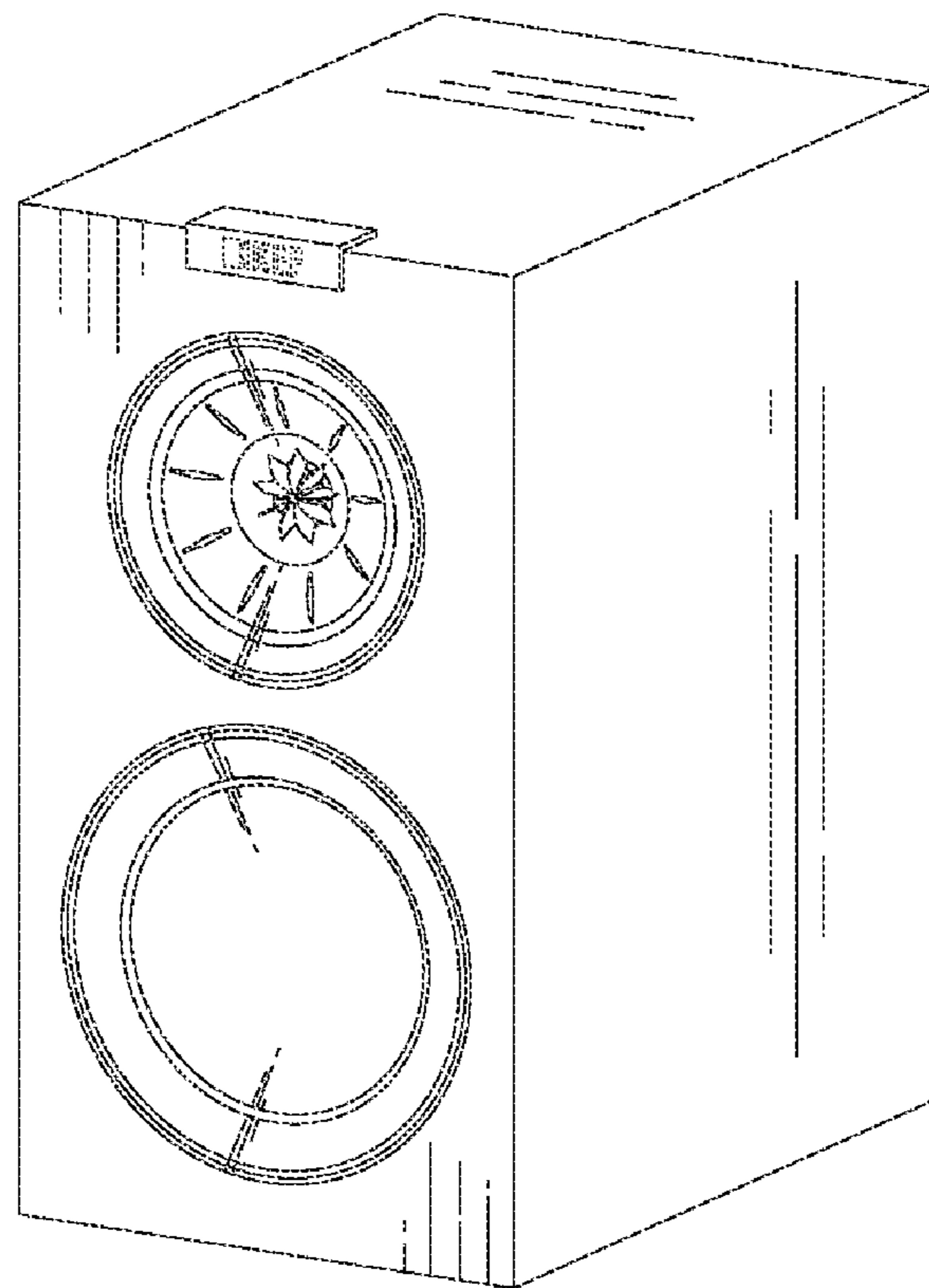


FIG. 7

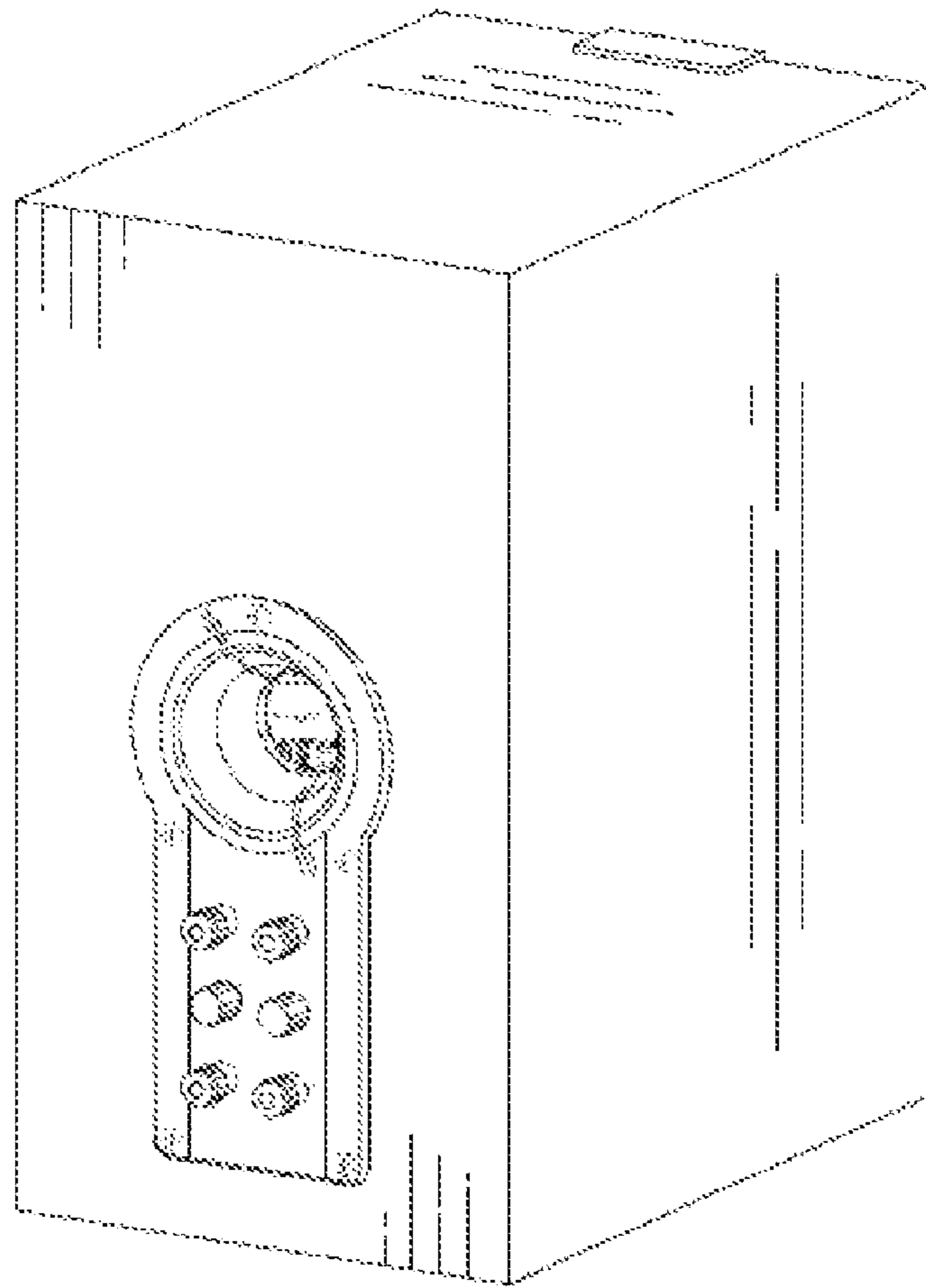


FIG. 8