

US00D678239S

(12) **United States Design Patent**
Bourne et al.

(10) **Patent No.:** **US D678,239 S**
(45) **Date of Patent:** **** Mar. 19, 2013**

- (54) **INTERNET PROTOCOL CONFERENCE TELEPHONE STATION**
- (75) Inventors: **Christopher Alan Bourne**, Stansbury Park, UT (US); **Michael Braithwaite**, Austin, TX (US); **Derek Graham**, South Jordan, UT (US); **Peter H. Manley**, Draper, UT (US); **Alan Dean Romig**, Stansbury Park, UT (US); **David K. Lambert**, South Jordan, UT (US)
- (73) Assignee: **Clearone Communications, Inc.**, Salt Lake City, UT (US)
- (**) Term: **14 Years**
- (21) Appl. No.: **29/393,684**
- (22) Filed: **Jun. 8, 2011**
- (51) **LOC (9) Cl.** **14-03**
- (52) **U.S. Cl.** **D14/150**
- (58) **Field of Classification Search** D14/142, D14/144, 145, 147, 148, 149, 159, 243, 130, D14/251, 253, 150; 379/202.01, 420.01, 379/420.02, 420.03, 428.02; 455/416
See application file for complete search history.

(56) **References Cited**

U.S. PATENT DOCUMENTS

D327,479 S *	6/1992	Britz	D14/225
D406,841 S *	3/1999	Myung	D14/150
D499,392 S *	12/2004	Bathurst et al.	D14/150
7,333,068 B2 *	2/2008	Biddulph	343/794

* cited by examiner

Primary Examiner — Sheryl Lane

(74) *Attorney, Agent, or Firm* — TraskBritt, P.C.

(57) **CLAIM**

The ornamental design for an internet protocol conference telephone station, as shown and described.

DESCRIPTION

FIG. 1 is a perspective view of a first embodiment of the internet protocol conference telephone station.

FIG. 2 is a top view of a first embodiment of the internet protocol conference telephone station.

FIG. 3 is a bottom view of a first embodiment of the internet protocol conference telephone station.

FIG. 4 is a front view of a first embodiment of the internet protocol conference telephone station.

FIG. 5 is a left view of a first embodiment of the internet protocol conference telephone station.

FIG. 6 is a right view of a first embodiment of the internet protocol conference telephone station.

FIG. 7 is a perspective view of a second embodiment of the internet protocol conference telephone station.

FIG. 8 is a top view of a second embodiment of the internet protocol conference telephone station.

FIG. 9 is a bottom view of a second embodiment of the internet protocol conference telephone station.

FIG. 10 is a front view of a second embodiment of the internet protocol conference telephone station.

FIG. 11 is a left view of a second embodiment of the internet protocol conference telephone station.

FIG. 12 is a right view of a second embodiment of the internet protocol conference telephone station.

FIG. 13 is a perspective view of a third embodiment of the internet protocol conference telephone station.

FIG. 14 is a top view of a third embodiment of the internet protocol conference telephone station.

FIG. 15 is a bottom view of a third embodiment of the internet protocol conference telephone station.

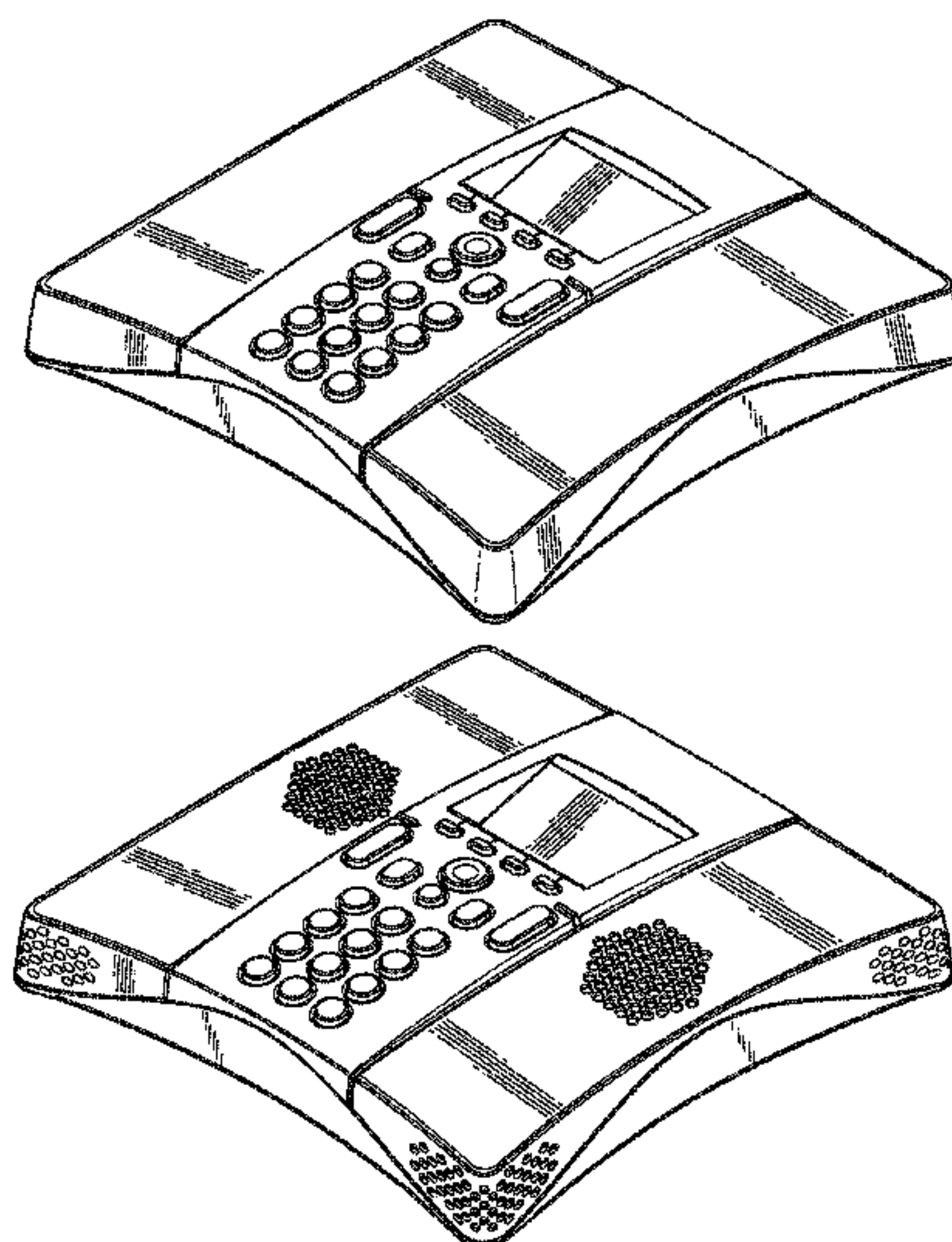
FIG. 16 is a front view of a third embodiment of the internet protocol conference telephone station.

FIG. 17 is a left view of a third embodiment of the internet protocol conference telephone station; and,

FIG. 18 is a right view of a third embodiment of the internet protocol conference telephone station.

Sides not shown are either not seen in use or do not bear ornamental features.

1 Claim, 12 Drawing Sheets



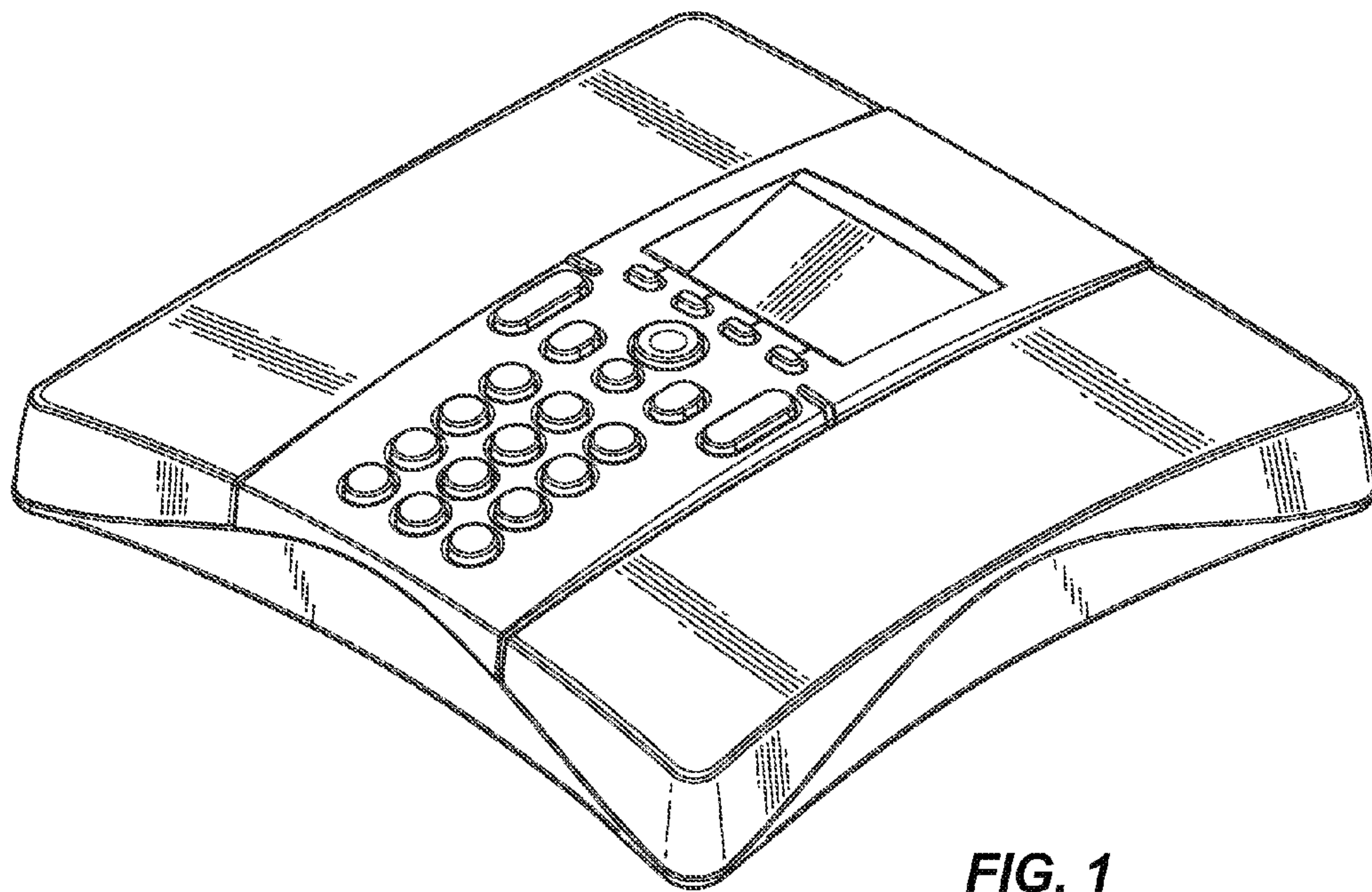


FIG. 1

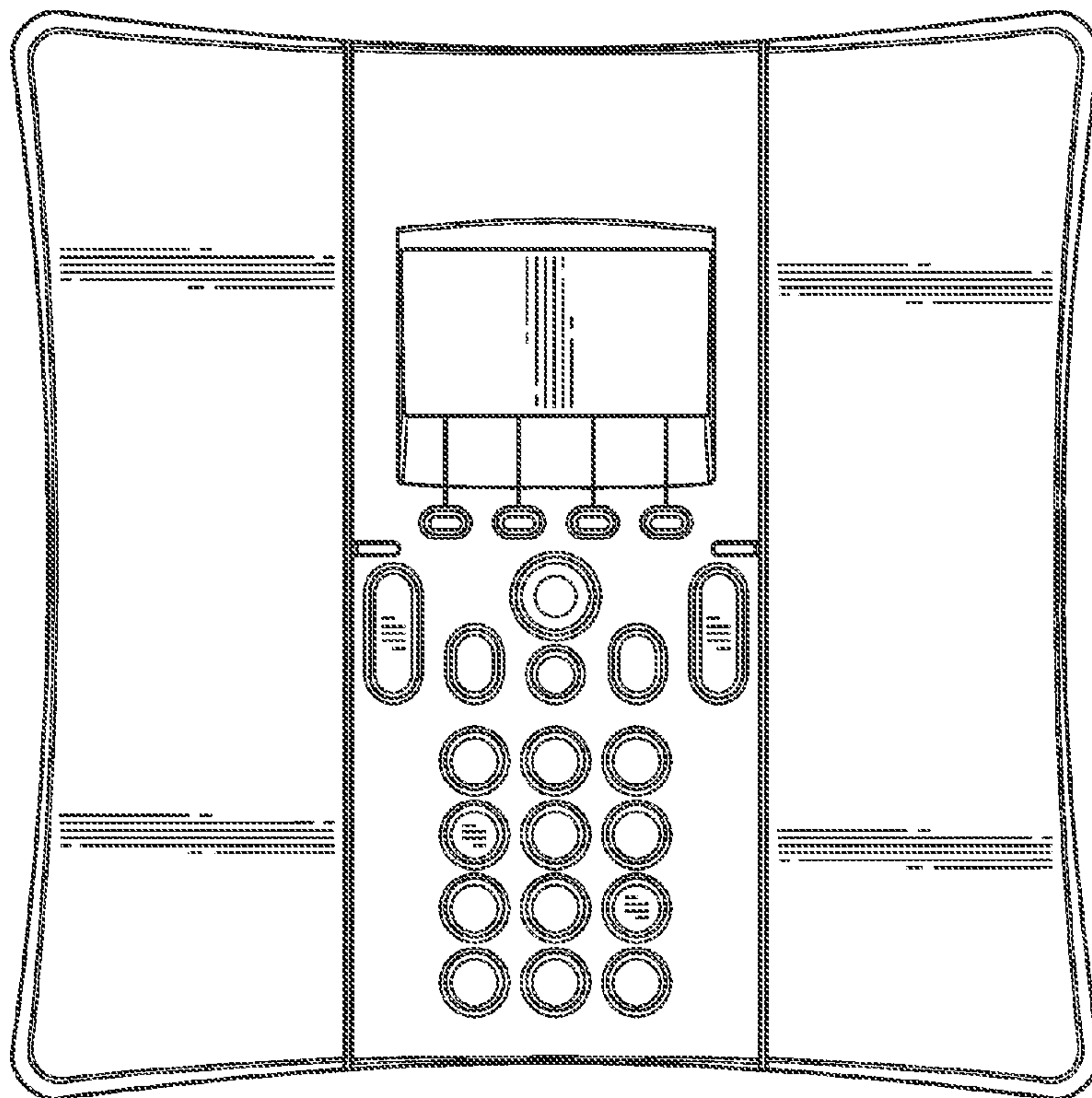


FIG. 2

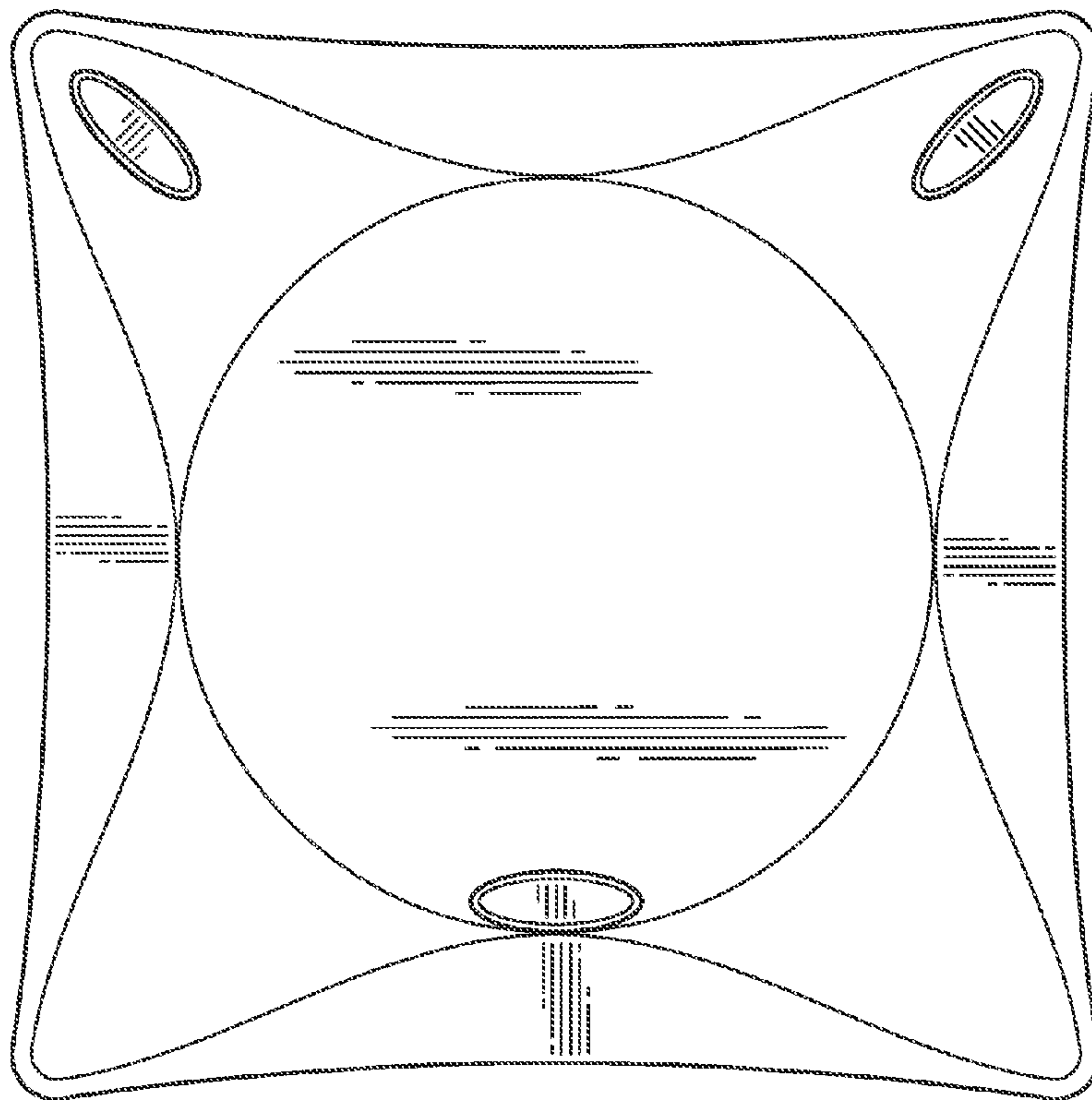


FIG. 3

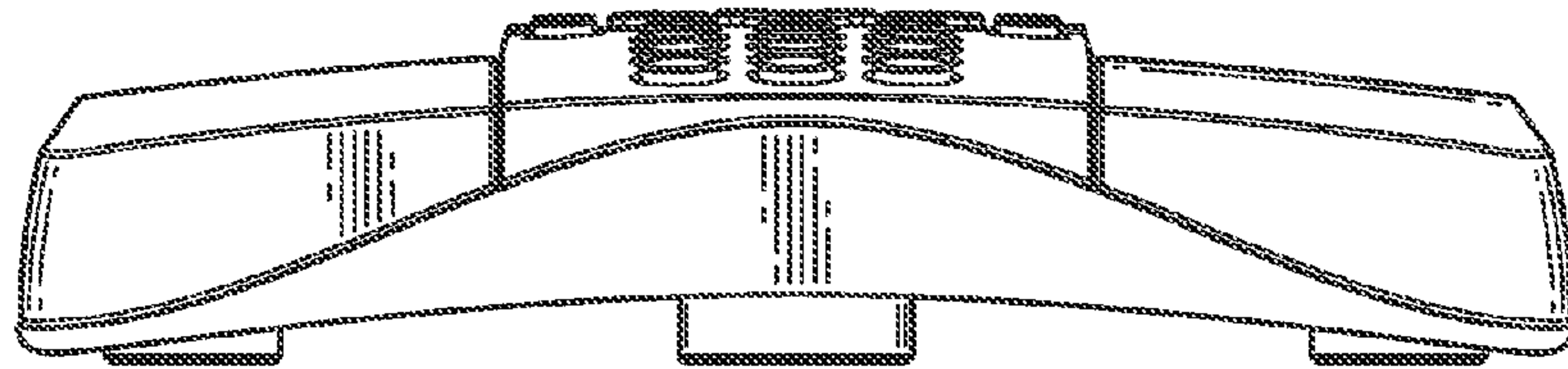


FIG. 4

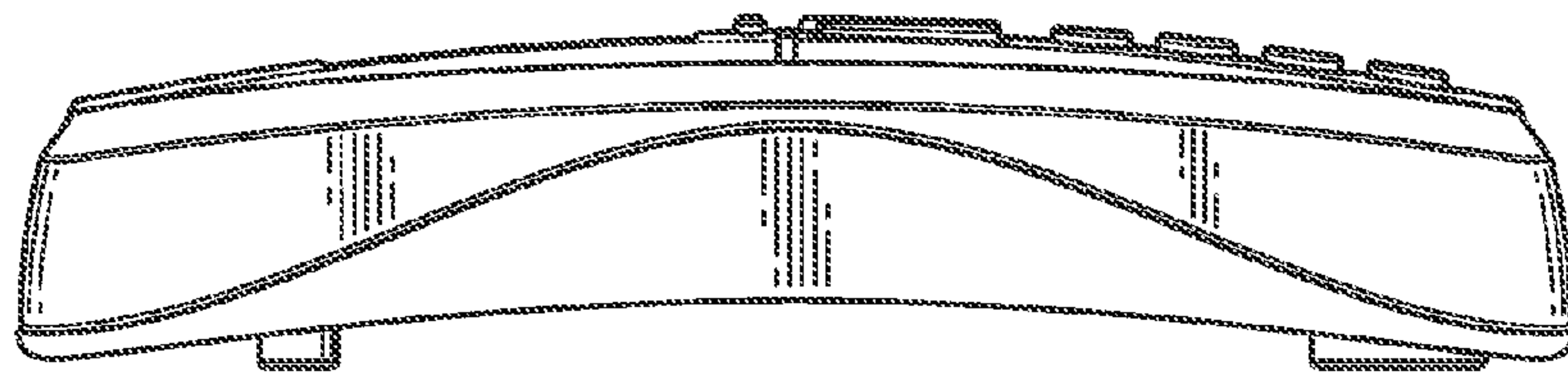


FIG. 5

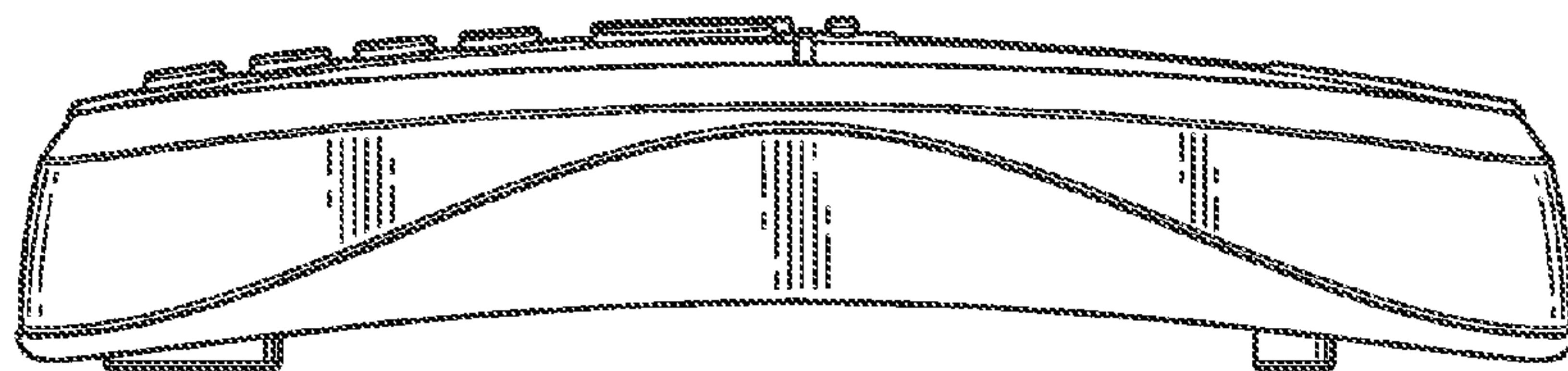


FIG. 6

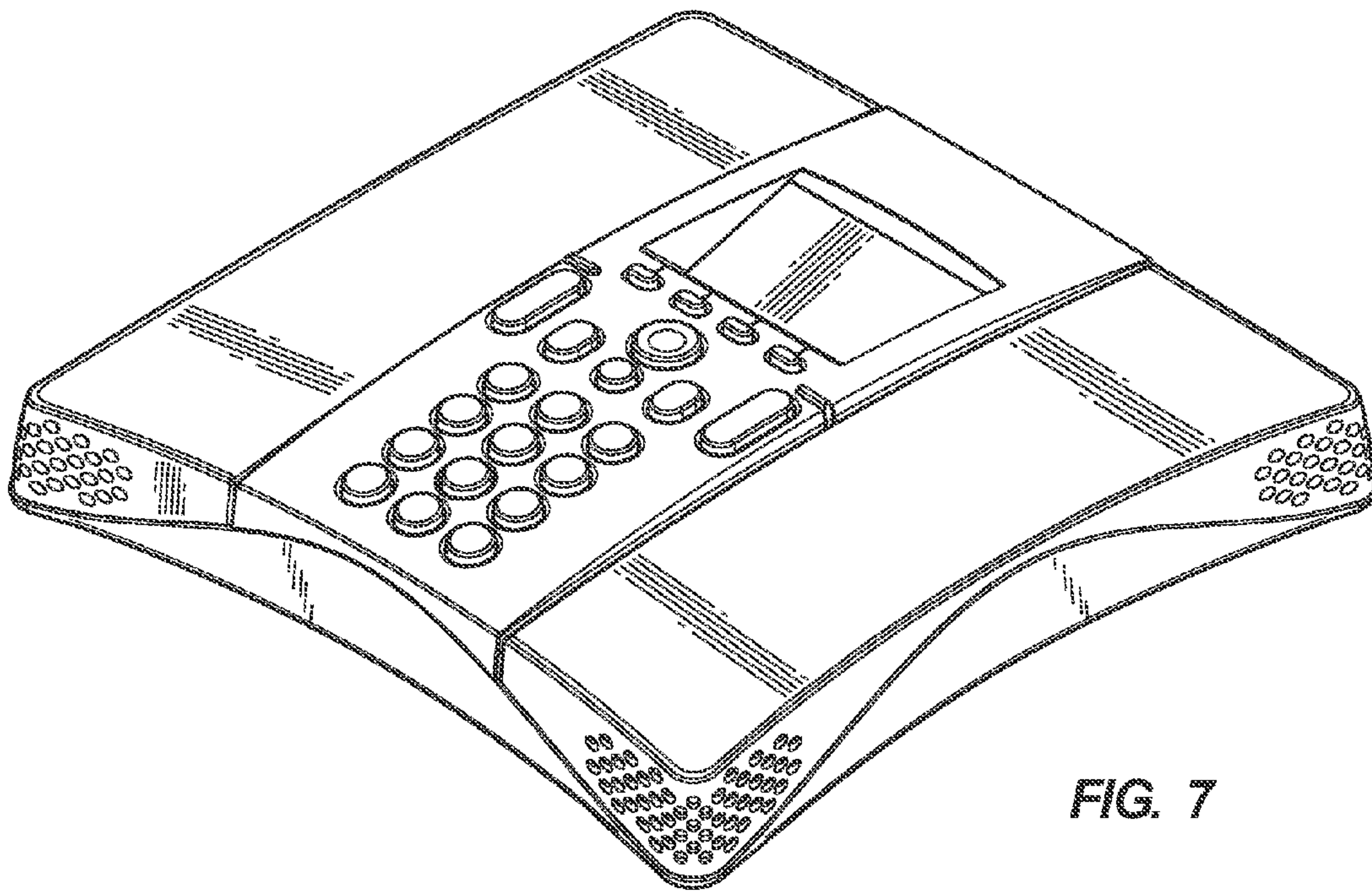


FIG. 7

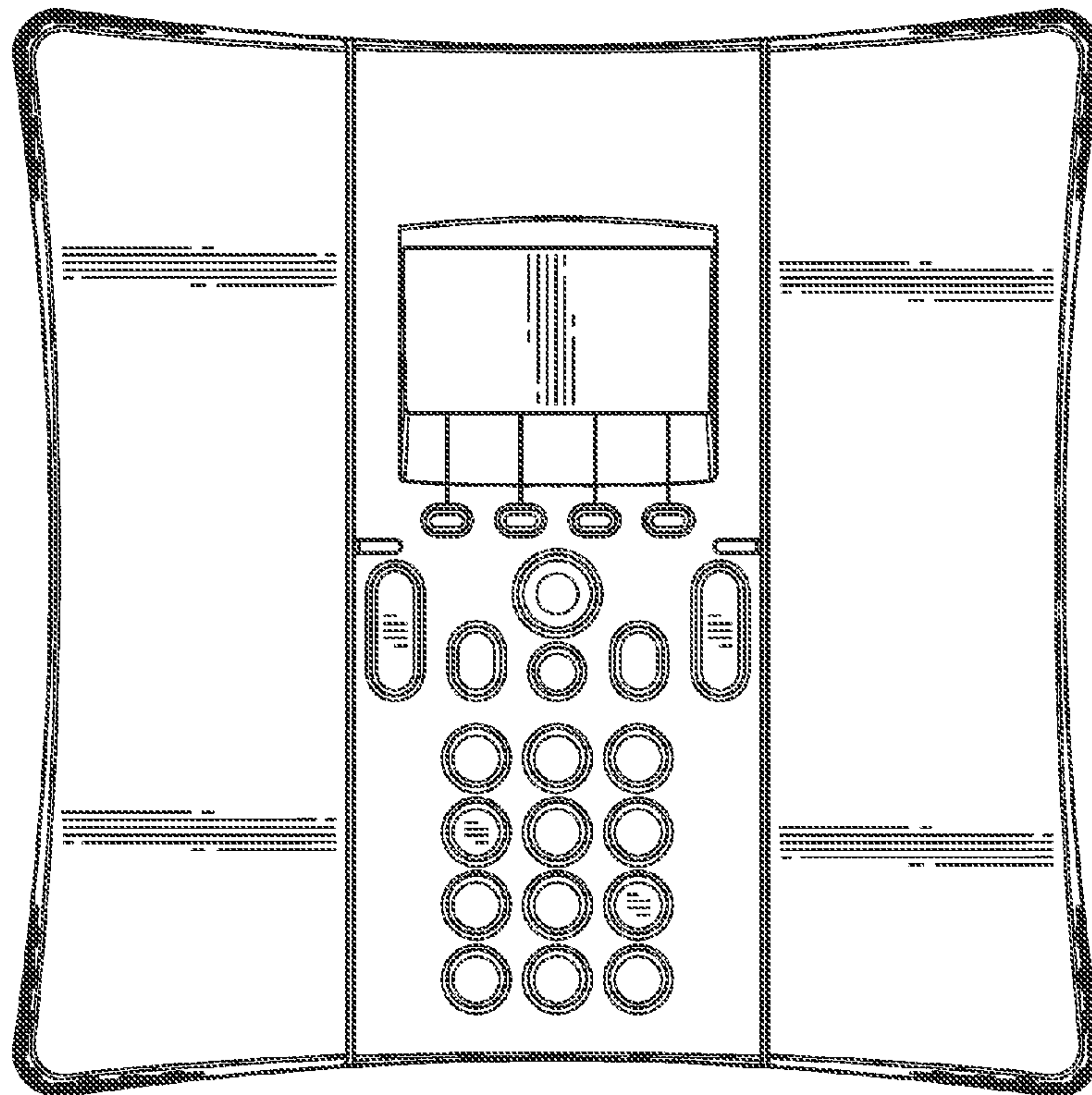


FIG. 8

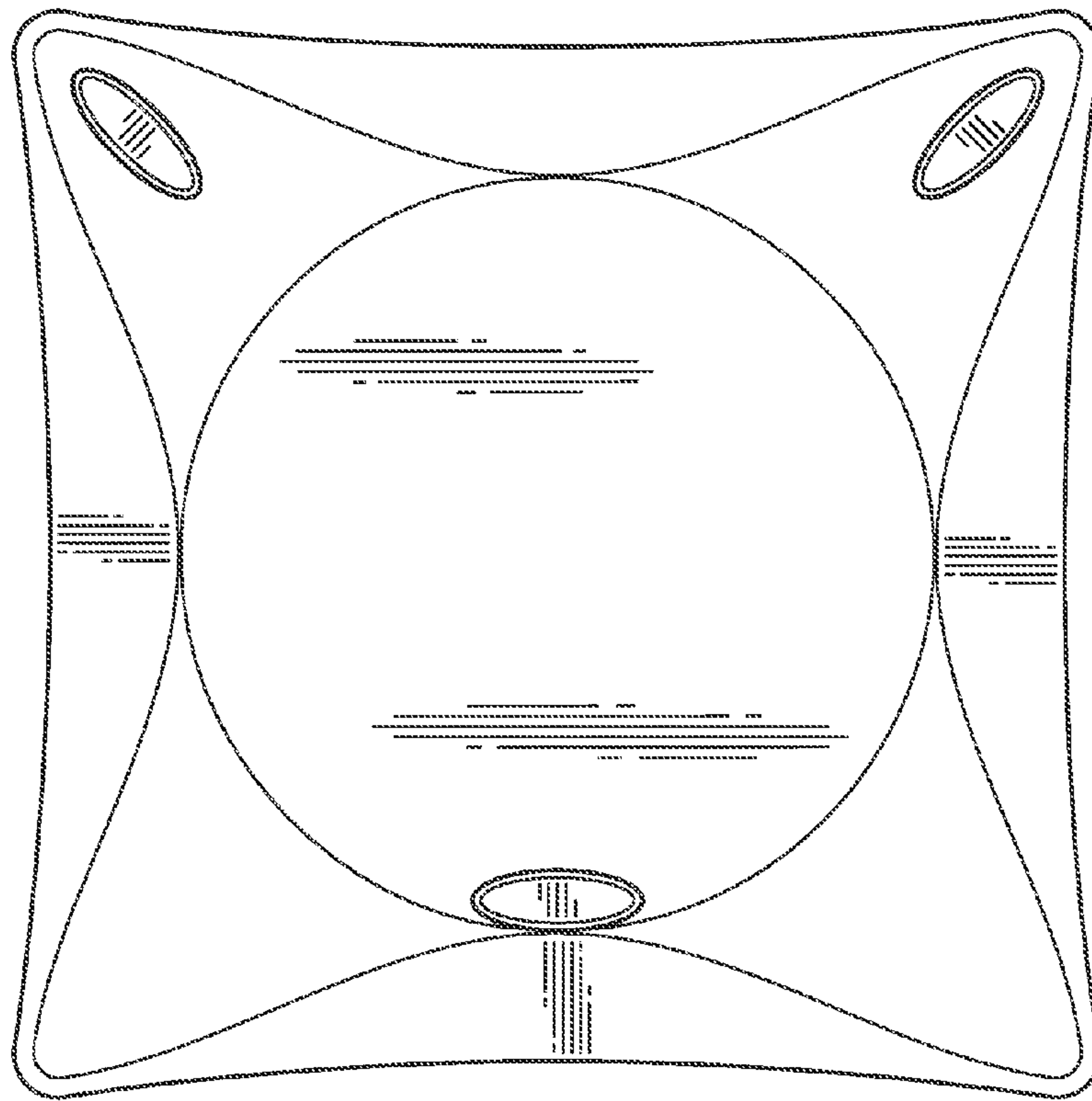


FIG. 9

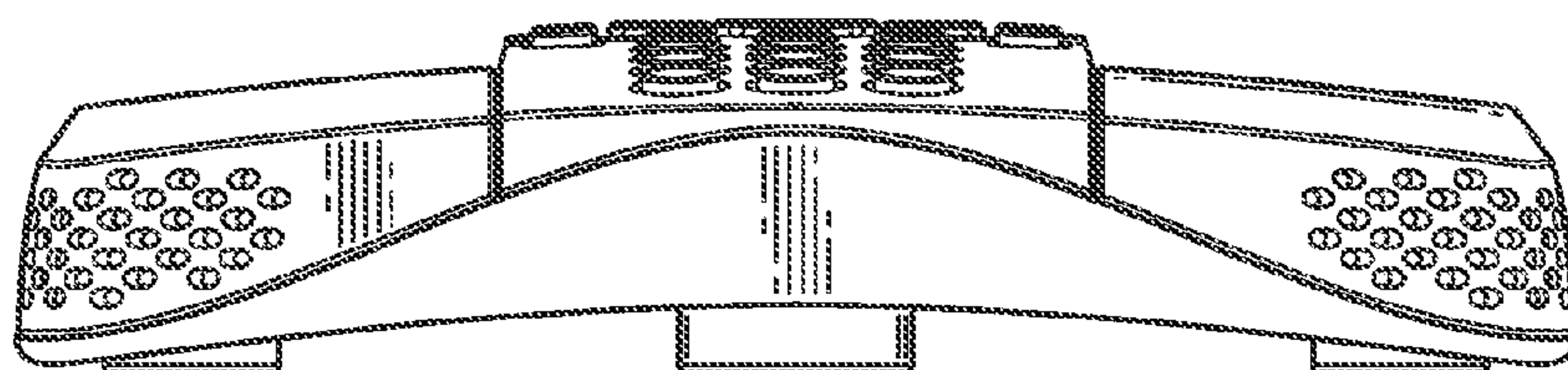


FIG. 10

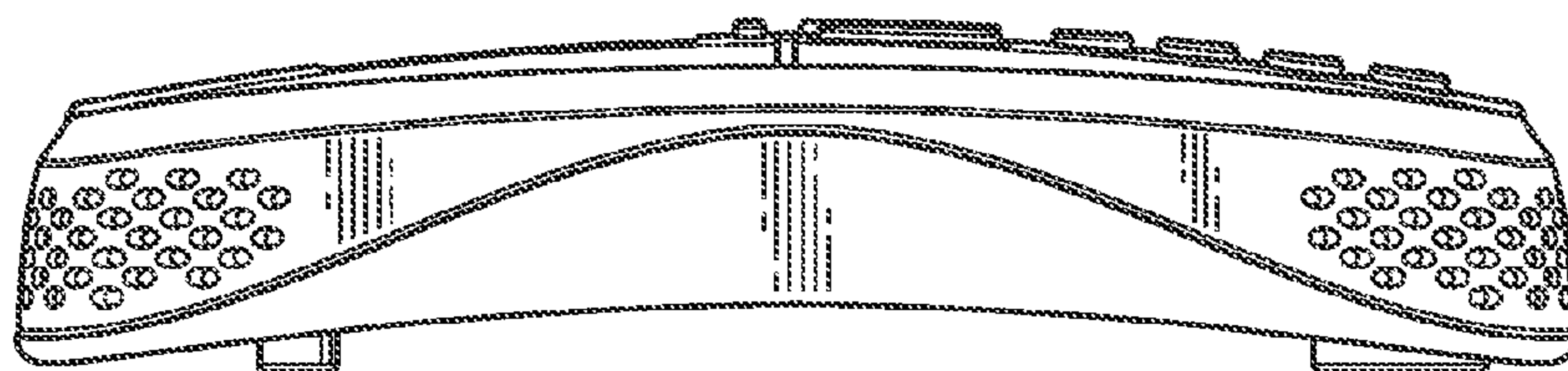


FIG. 11

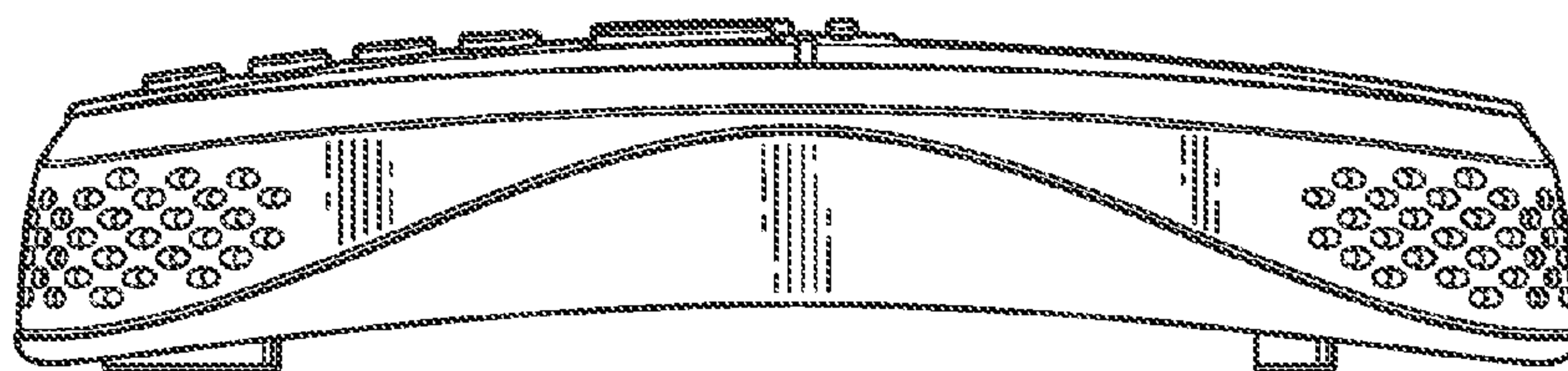


FIG. 12

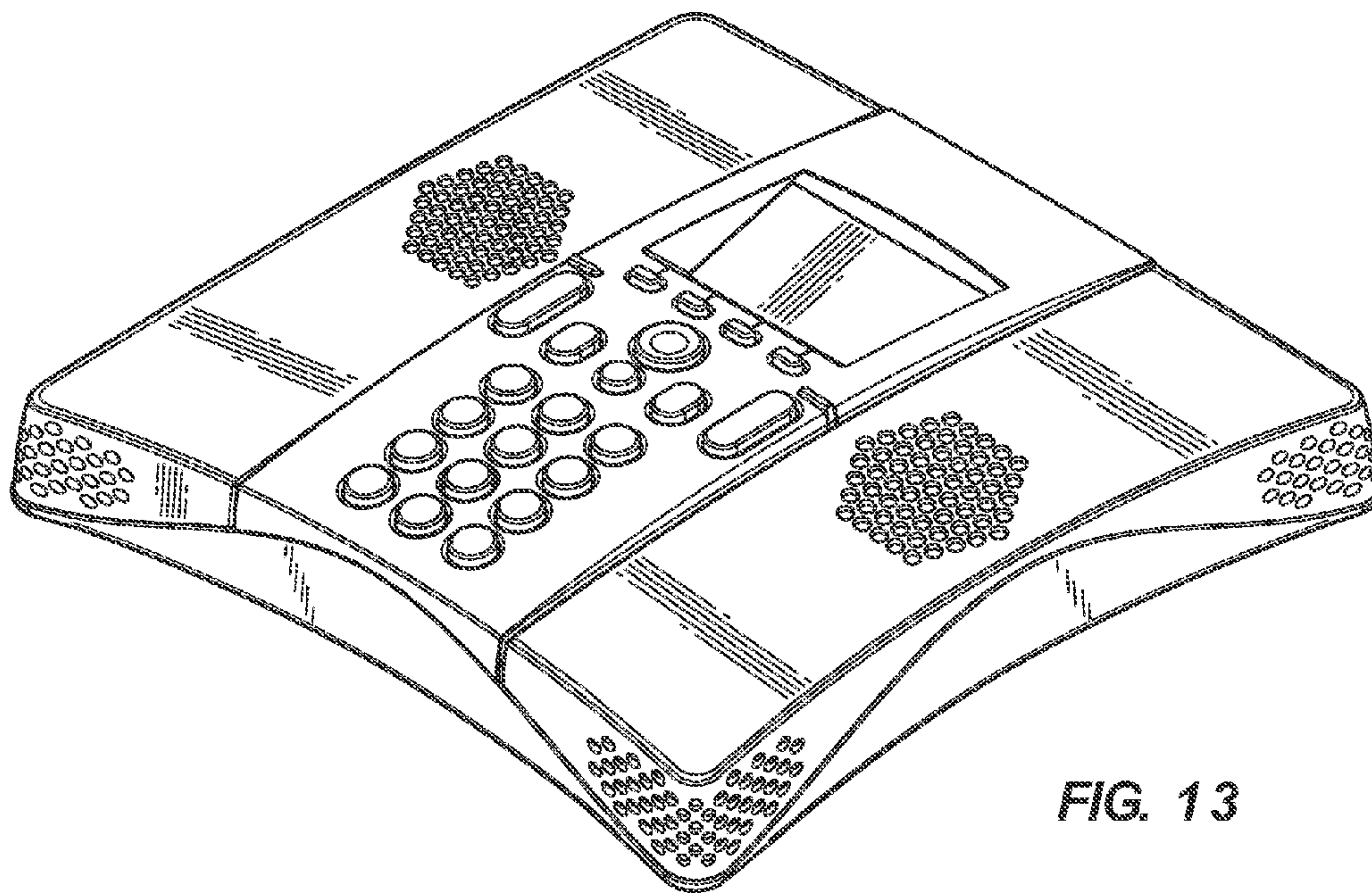


FIG. 13

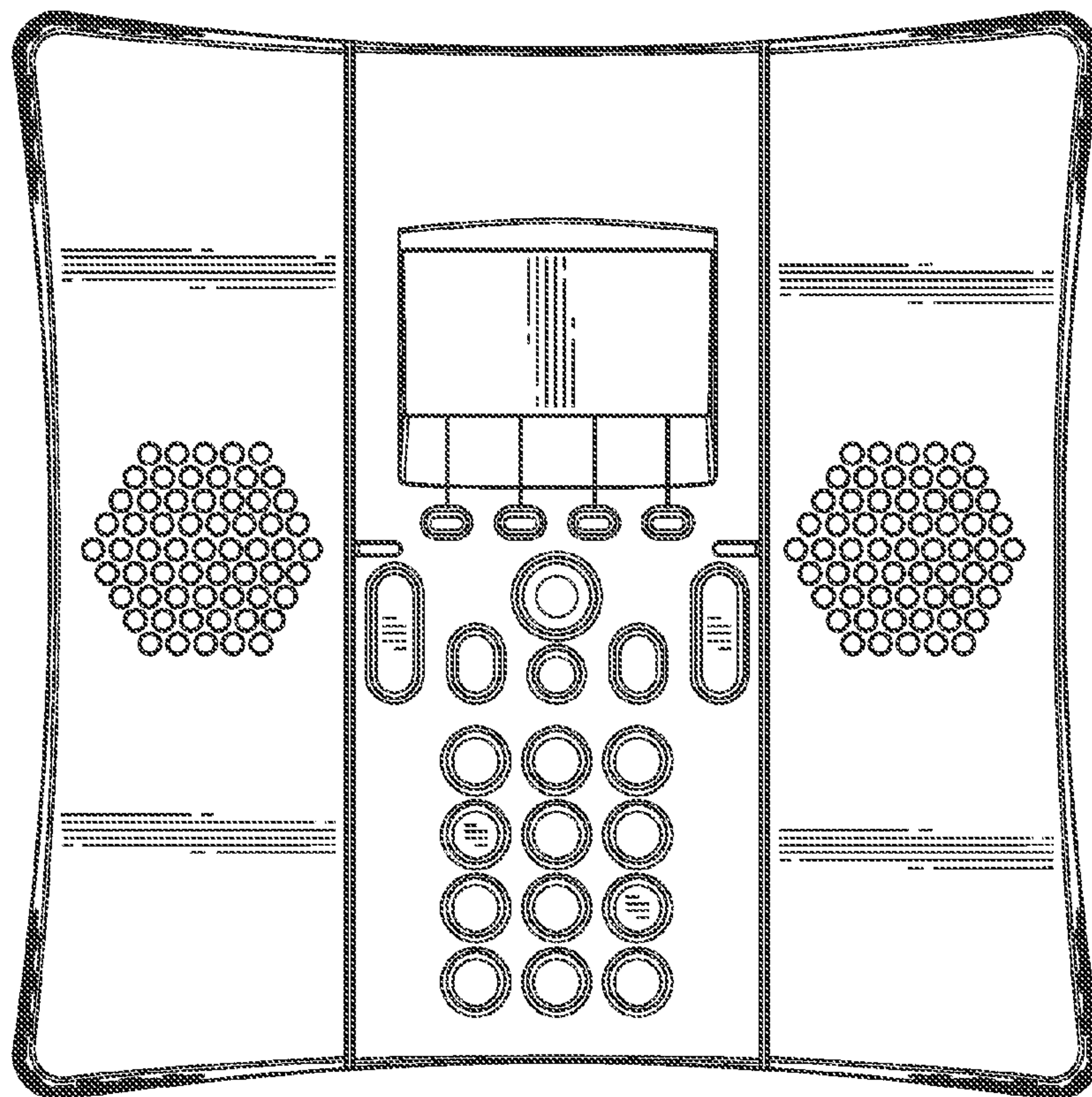


FIG. 14

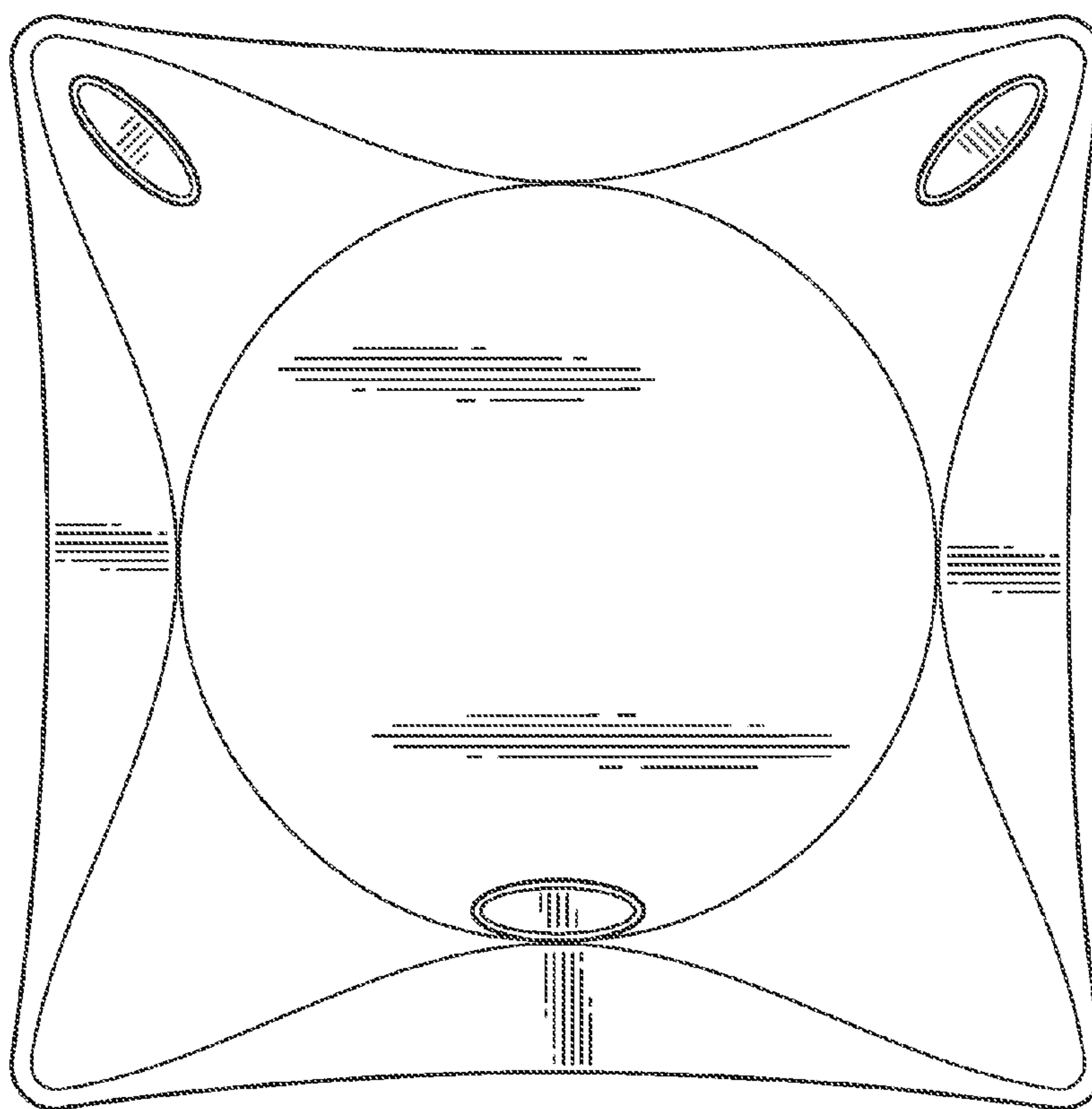


FIG. 15

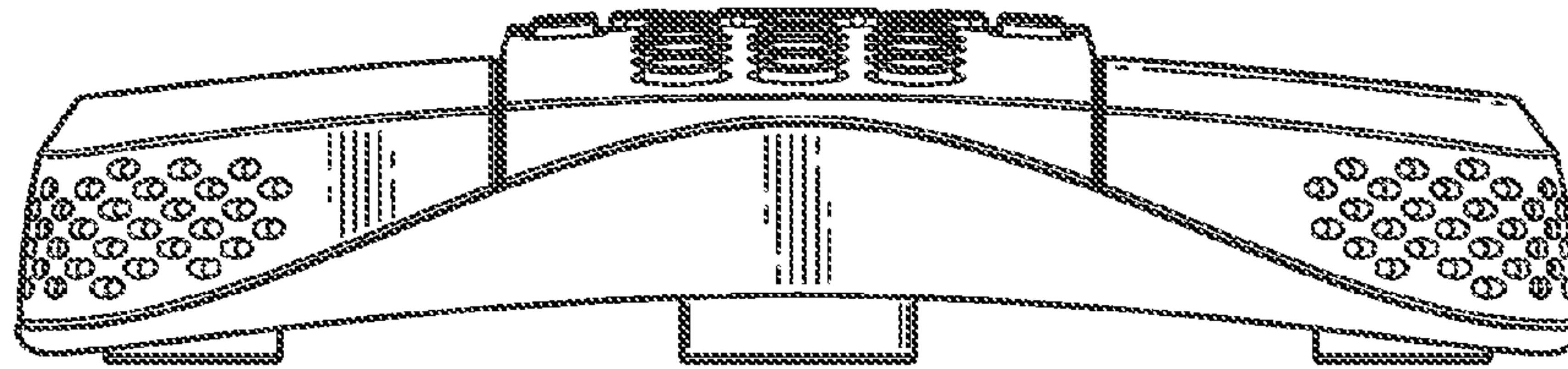


FIG. 16

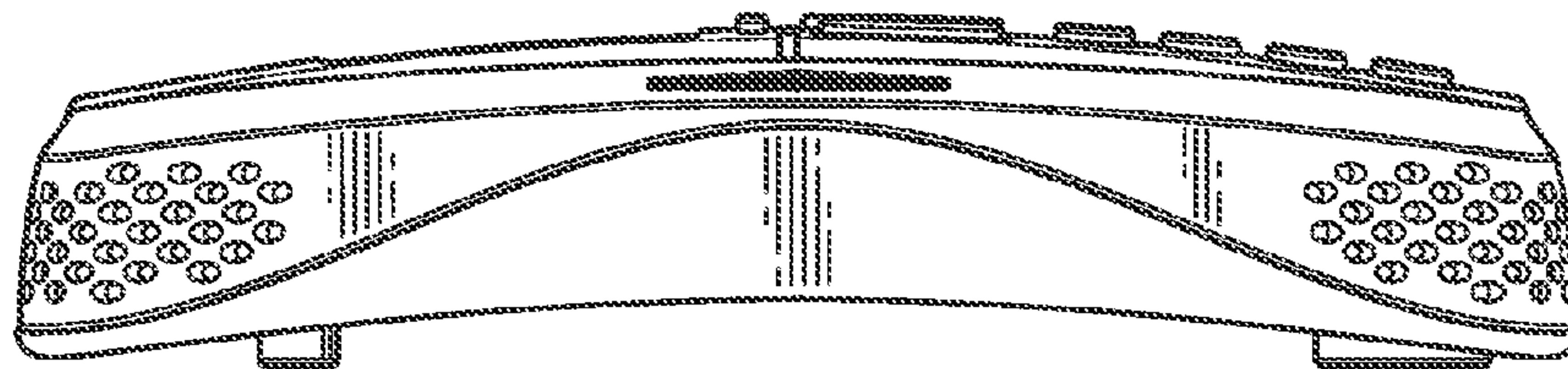


FIG. 17

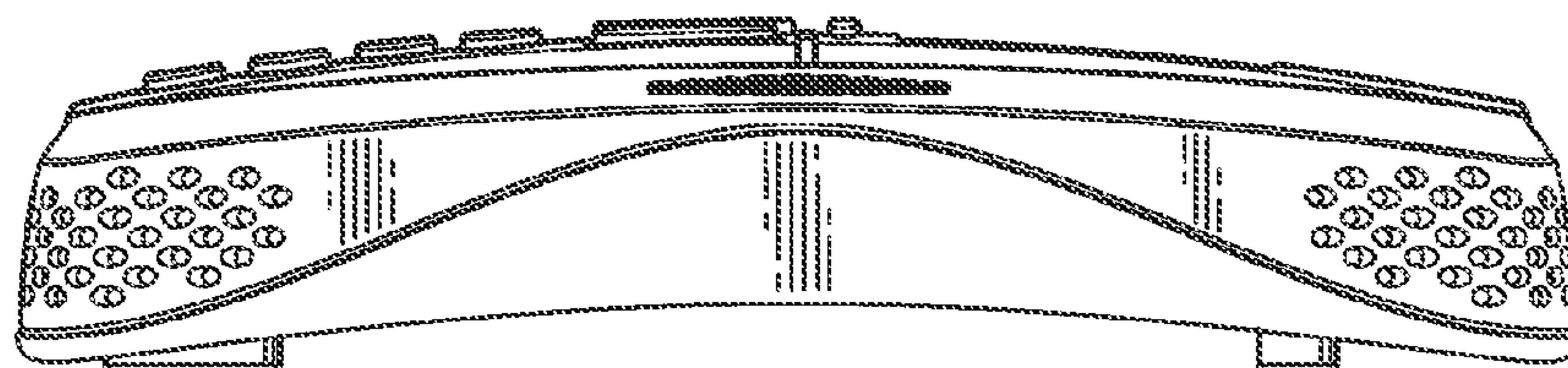


FIG. 18