



US00D678238S

(12) **United States Design Patent**  
**Furuno et al.**

(10) **Patent No.:** **US D678,238 S**  
(45) **Date of Patent:** **\*\* Mar. 19, 2013**

- (54) **TELEPHONE BASE UNIT**
  - (75) Inventors: **Masashi Furuno**, Fukuoka (JP);  
**Takayuki Ookawa**, Fukuoka (JP)
  - (73) Assignee: **Panasonic Corporation**, Osaka (JP)
  - (\*\*) Term: **14 Years**
  - (21) Appl. No.: **29/386,076**
  - (22) Filed: **Feb. 24, 2011**
  - (51) **LOC (9) Cl.** ..... **14-03**
  - (52) **U.S. Cl.** ..... **D14/150**
  - (58) **Field of Classification Search** ..... D14/147,  
D14/148, 149, 138 R, 138 AA, 138 AD, 138 G,  
D14/191, 203.1-203.8, 496, 137, 218, 341-347,  
D14/247-248, 144, 150-151, 240, 243, 140-142;  
455/566, 575.1, 575.3, 575.4; 345/168, 169,  
345/167
- See application file for complete search history.

- D571,775 S 6/2008 Waterman et al.
- D576,997 S 9/2008 Furuno et al.
- D579,011 S 10/2008 Furuno et al.
- D582,383 S 12/2008 Hasegawa et al.
- D596,611 S 7/2009 Hasegawa et al.
- D598,449 S 8/2009 Landry et al.
- D599,771 S \* 9/2009 Nakajima ..... D14/149
- D603,365 S \* 11/2009 Nakajima ..... D14/149
- D608,732 S 1/2010 Hillard
- D609,637 S 2/2010 Chu et al.
- D609,638 S 2/2010 Biheller et al.
- D617,301 S \* 6/2010 Furuno et al. .... D14/149
- D617,302 S \* 6/2010 Nakajima et al. .... D14/149
- D617,303 S \* 6/2010 Hasegawa et al. .... D14/149
- D624,898 S \* 10/2010 Hasegawa et al. .... D14/149
- D657,771 S \* 4/2012 Sakamoto ..... D14/150

**OTHER PUBLICATIONS**

Vtech mi6861, VTC-MI6861-N vtech-mi6861 [online]. 101Phones.com, 1998-2010 [retrieved on Nov. 12, 2010]. Retrieved from the Internet <URL:http://www.101phones.com/details/2051-23/Vtech-5-8GHz-Phones-Answering-System-MI6861.html>.

Vtech DS6111, Interference Free Communication Inc. [online]. 101Phones.com, 1998-2010 [retrieved on Nov. 12, 2010]. Retrieved from the Internet <URL:http://www.101phones.com/details/5506/vtech-ds6111.html>.

(Continued)

*Primary Examiner* — Sheryl Lane  
(74) *Attorney, Agent, or Firm* — Panasonic Patent Center

(57) **CLAIM**  
We claim the ornamental design for a telephone base unit, as shown and described.

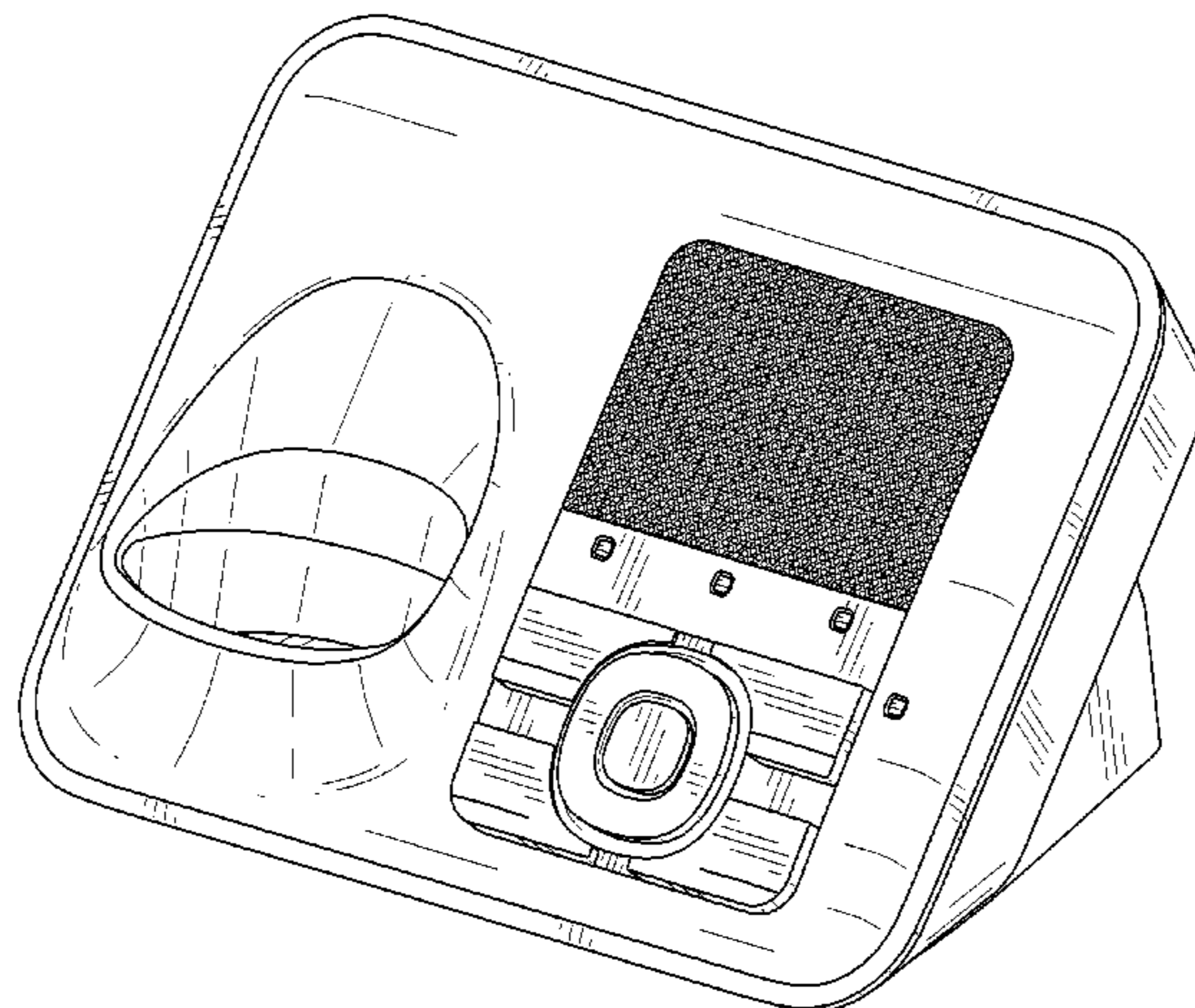
**DESCRIPTION**

FIG. 1 is a top perspective view of a telephone base unit of the present invention;  
FIG. 2 is a front view thereof;  
FIG. 3 is a rear view thereof;  
FIG. 4 is a first side view thereof;  
FIG. 5 is a second side view thereof;  
FIG. 6 is a top view thereof; and,  
FIG. 7 is a bottom view thereof.

**1 Claim, 7 Drawing Sheets**

(56) **References Cited**  
U.S. PATENT DOCUMENTS

- D363,286 S 10/1995 Solomita
- D381,656 S 7/1997 Biskup et al.
- D385,558 S 10/1997 Liu
- D393,625 S 4/1998 Riccobon
- D395,046 S 6/1998 Liu
- 5,952,814 A 9/1999 Van Lerberghe
- 6,014,011 A 1/2000 DeFelice et al.
- D442,939 S 5/2001 Goldenburg
- D456,795 S 5/2002 Hughes et al.
- D457,868 S 5/2002 Shintani
- D460,446 S 7/2002 Hughes et al.
- D469,074 S 1/2003 Muenscher et al.
- D495,312 S 8/2004 Fitzgerald
- D511,510 S 11/2005 Beasley et al.
- D512,703 S 12/2005 Ookawa
- D524,789 S 7/2006 Beasley et al.
- D525,233 S 7/2006 Franck et al.
- D528,979 S 9/2006 Franck et al.
- D530,302 S 10/2006 Franck et al.
- D558,749 S \* 1/2008 Furuno et al. .... D14/253
- D570,324 S 6/2008 Furuno et al.
- D570,325 S \* 6/2008 Hasegawa et al. .... D14/149



OTHER PUBLICATIONS

Philips ID555, Read reviews and compare prices at Ciao.co.uk  
[online]. Ciao GmbH, 2011 [retrieved on Jan. 25, 2011]. Retrieved

from the Internet<URL:[http://www.ciao.co.uk/Philips\\_ID555\\_7067166](http://www.ciao.co.uk/Philips_ID555_7067166)>.

\* cited by examiner

FIG. 1

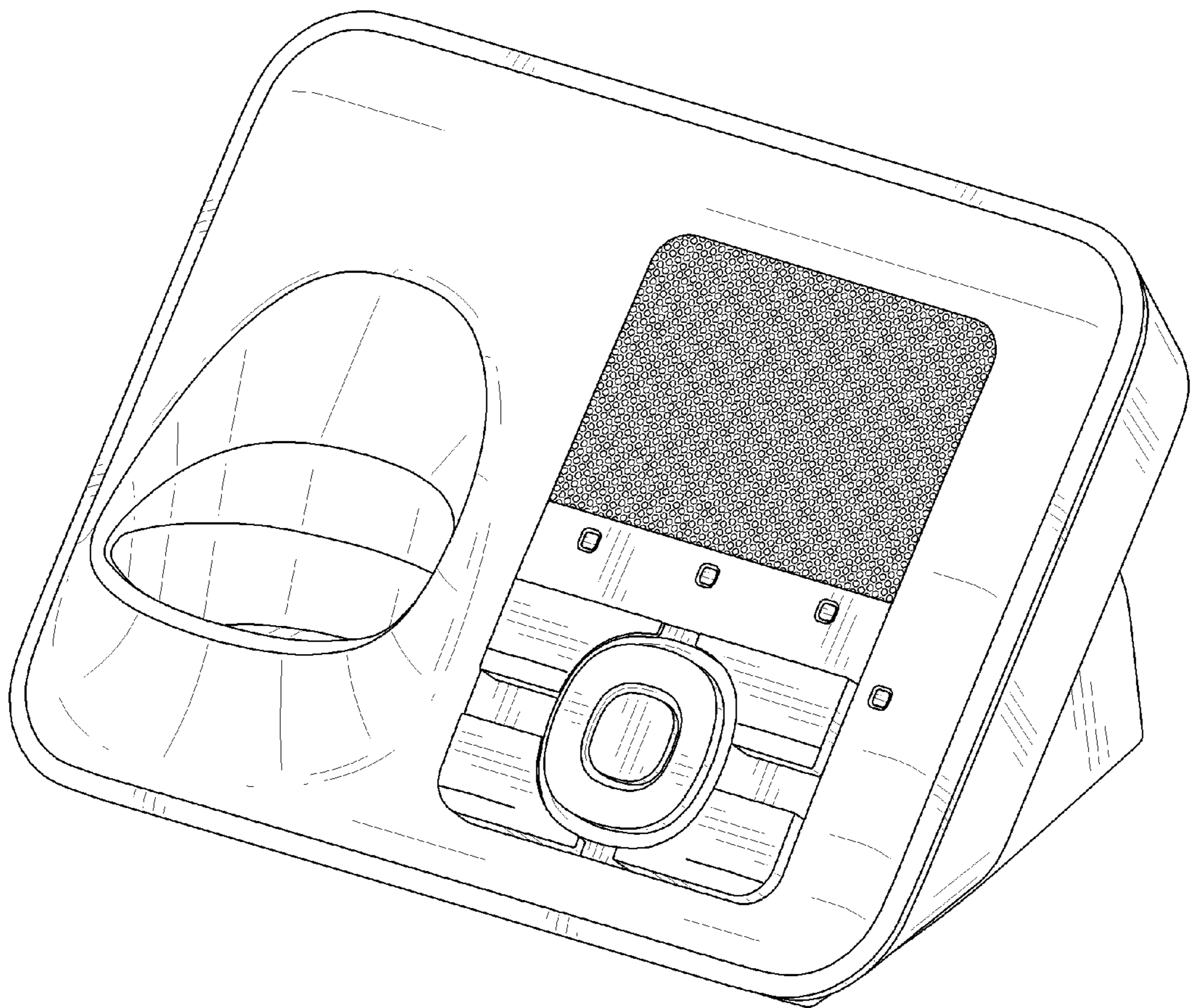




FIG. 2

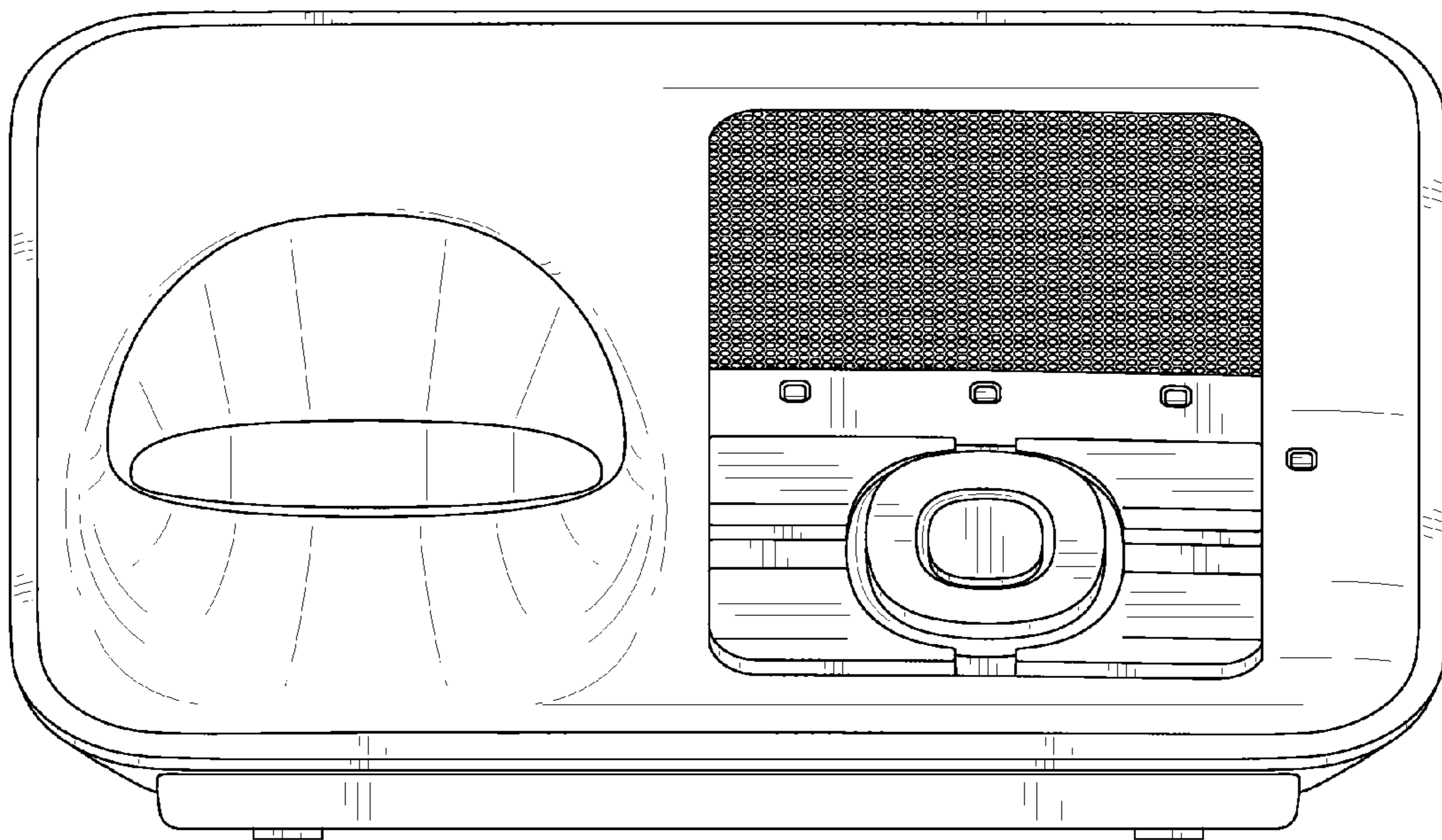


FIG. 3

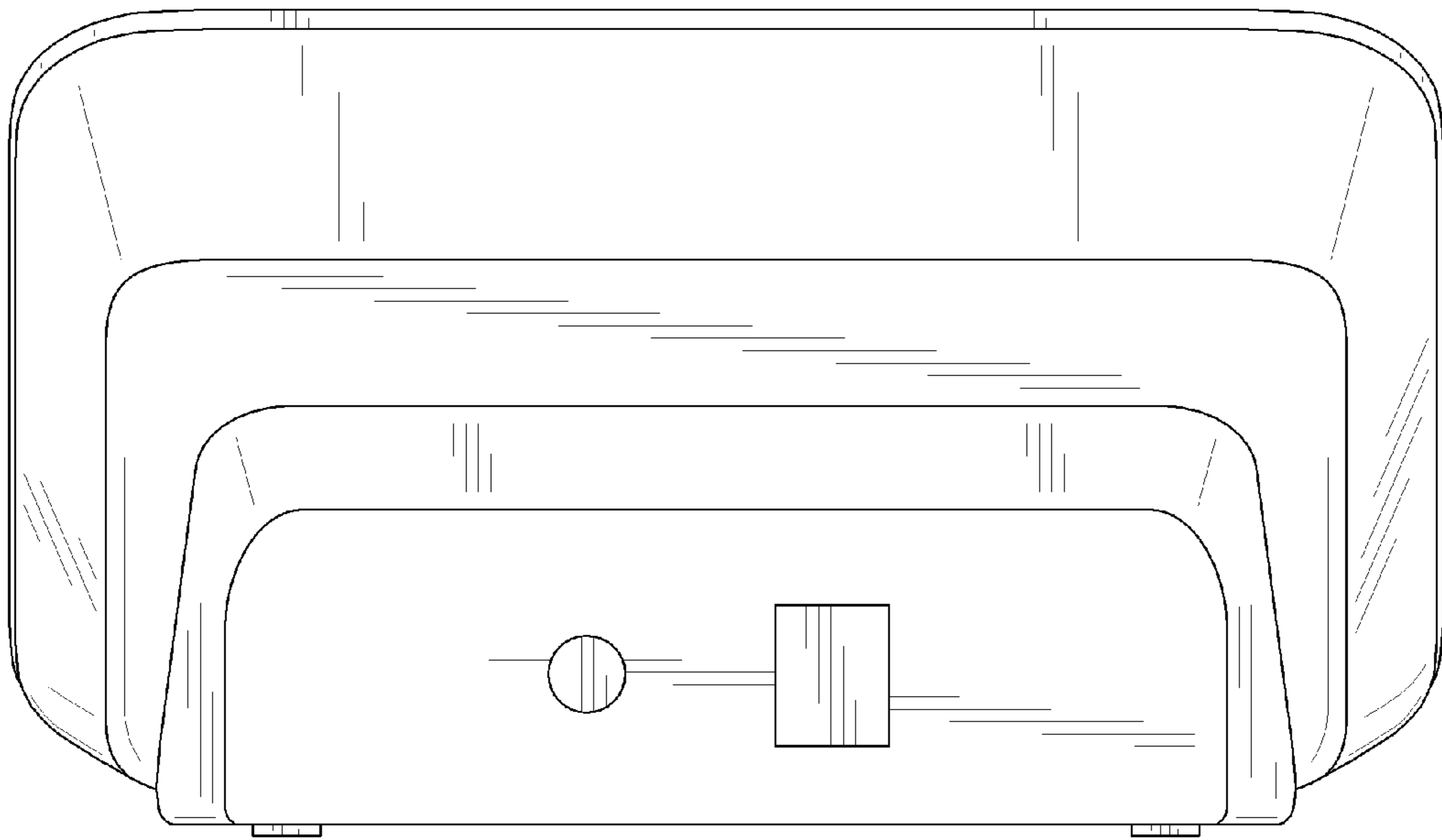


FIG. 4

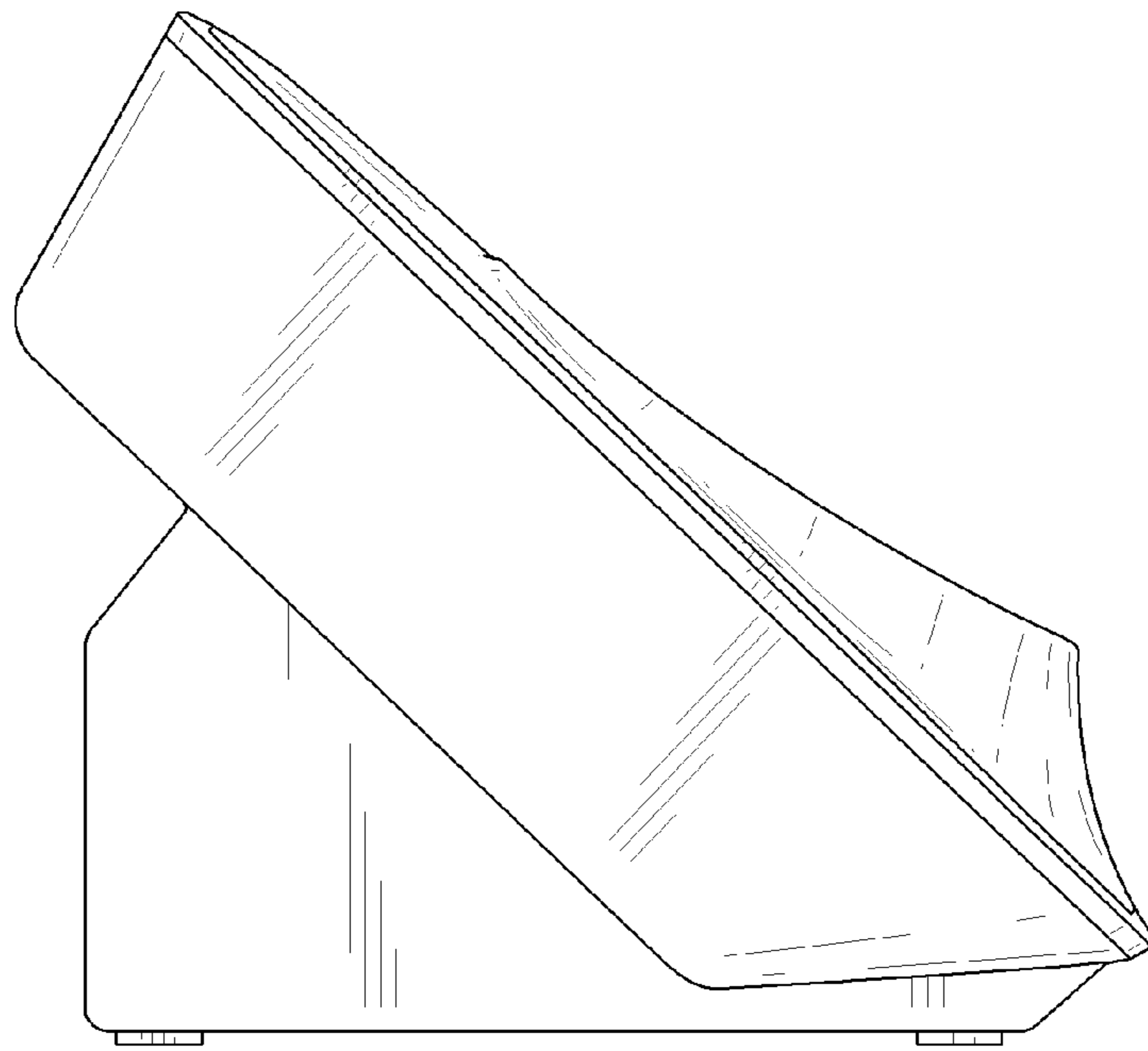


FIG. 5

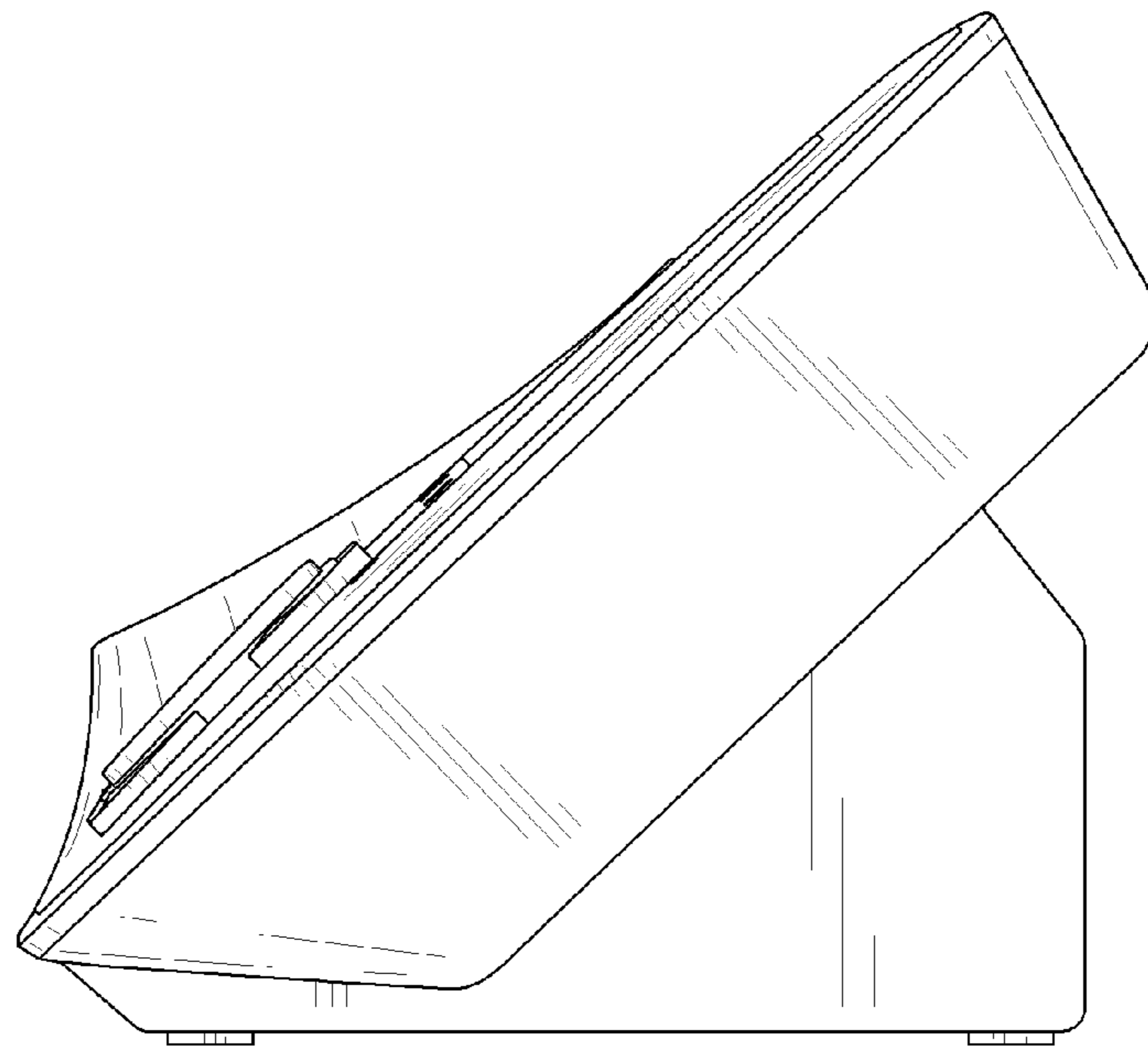


FIG. 6

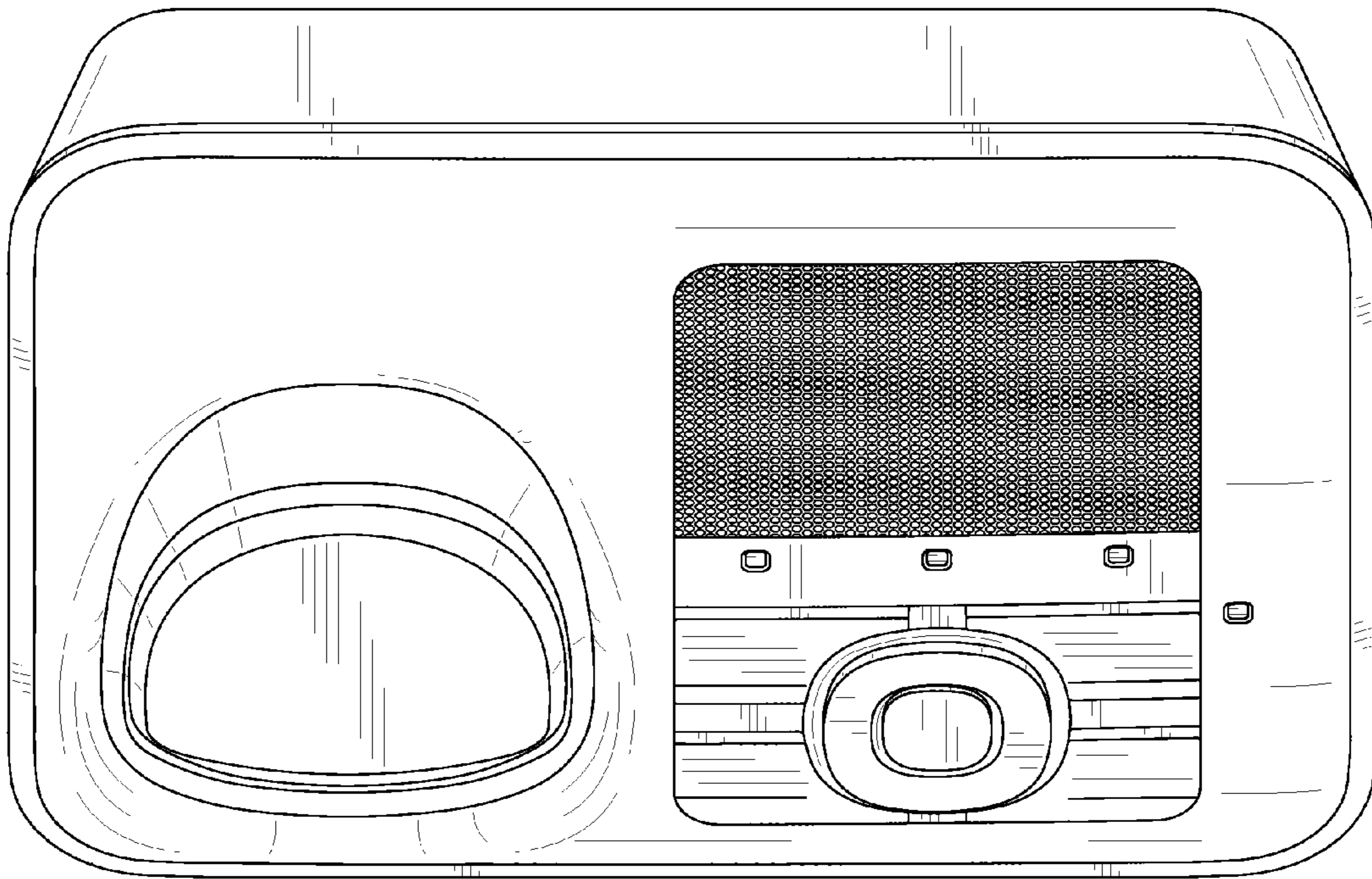




FIG. 7

