



US00D678229S

(12) **United States Design Patent**  
**Shibukawa**

(10) **Patent No.:** **US D678,229 S**  
(45) **Date of Patent:** **\*\* Mar. 19, 2013**

(54) **TELEVISION RECEIVER**

(75) Inventor: **Kentaro Shibukawa**, Tokyo (JP)

(73) Assignee: **Sony Corporation**, Tokyo (JP)

(\*\*) Term: **14 Years**

(21) Appl. No.: **29/371,388**

(22) Filed: **Jan. 31, 2011**

(30) **Foreign Application Priority Data**

Dec. 27, 2010 (JP) ..... D2010-031166  
Dec. 27, 2010 (JP) ..... D2010-031167

(51) **LOC (9) Cl.** ..... **14-03**

(52) **U.S. Cl.** ..... **D14/126**

(58) **Field of Classification Search** ..... D14/125-134,  
D14/239, 371, 136, 374-377, 440, 450, 448,  
D14/336, 342, 159; 312/7.2; 348/836, 838,  
348/180, 184, 325, 739; 341/12; 248/917-924,  
248/465; 345/104, 133, 156, 168, 87, 173;  
720/605, 669, 600, 655; 369/99, 197; 455/344-347;  
D21/329, 515, 577, 622, 333, 433, 448, 452,  
D21/450, 331; D6/477, 479, 300; 273/148 B;  
446/484, 175, 356; D10/15, 26

See application file for complete search history.

(56) **References Cited**

**U.S. PATENT DOCUMENTS**

D495,336 S \* 8/2004 Andre et al. .... D14/434  
D540,795 S 4/2007 Takahashi  
D545,282 S \* 6/2007 Kita ..... D14/126  
D549,193 S \* 8/2007 Gomes et al. .... D14/126  
D558,209 S \* 12/2007 Ikeda et al. .... D14/434  
D571,749 S \* 6/2008 Barnett et al. .... D14/126  
D594,830 S \* 6/2009 Shiraki et al. .... D14/129

D616,404 S \* 5/2010 Roed et al. .... D14/129  
D618,189 S \* 6/2010 Honda ..... D14/126  
D619,553 S \* 7/2010 Katsumata ..... D14/126  
D626,926 S \* 11/2010 Peng ..... D14/126  
D628,174 S \* 11/2010 Nagase ..... D14/126  
D640,651 S \* 6/2011 Oba ..... D14/126  
D640,998 S \* 7/2011 Takami et al. .... D14/126  
D642,149 S \* 7/2011 Inoue et al. .... D14/126  
D643,005 S \* 8/2011 Nagase ..... D14/126  
D654,450 S \* 2/2012 McManigal et al. .... D14/129

**FOREIGN PATENT DOCUMENTS**

KR 30-0315848 1/2003

**OTHER PUBLICATIONS**

Office Action from Japan Patent Office for 2010-031166 dated Jul. 27, 2011.

\* cited by examiner

*Primary Examiner* — Raphael Barkai

(74) *Attorney, Agent, or Firm* — Rader, Fishman & Grauer PLLC

(57) **CLAIM**

The ornamental design for a television receiver, as shown and described.

**DESCRIPTION**

FIG. 1 is a front, top, right perspective view of a television receiver showing my new design;  
FIG. 2 is a left side elevational view thereof;  
FIG. 3 is a cross-sectional view thereof along the line 3-3 of FIG. 2; and,  
FIG. 4 is a cross-sectional view thereof along the line 4-4 of FIG. 2.

Portions shown as broken lines are for illustrative purposes only and form no part of claimed design.

**1 Claim, 3 Drawing Sheets**

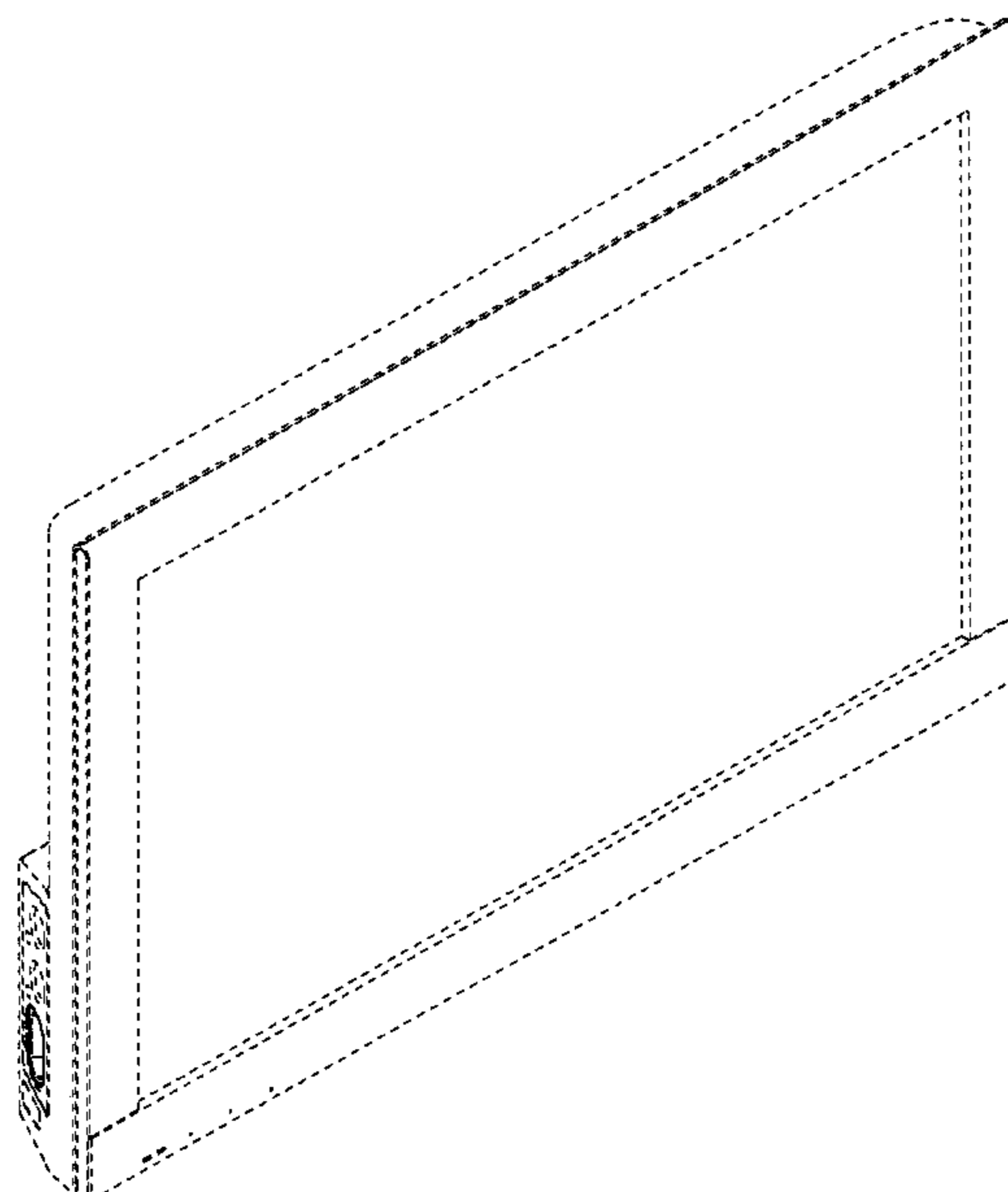


FIG.1

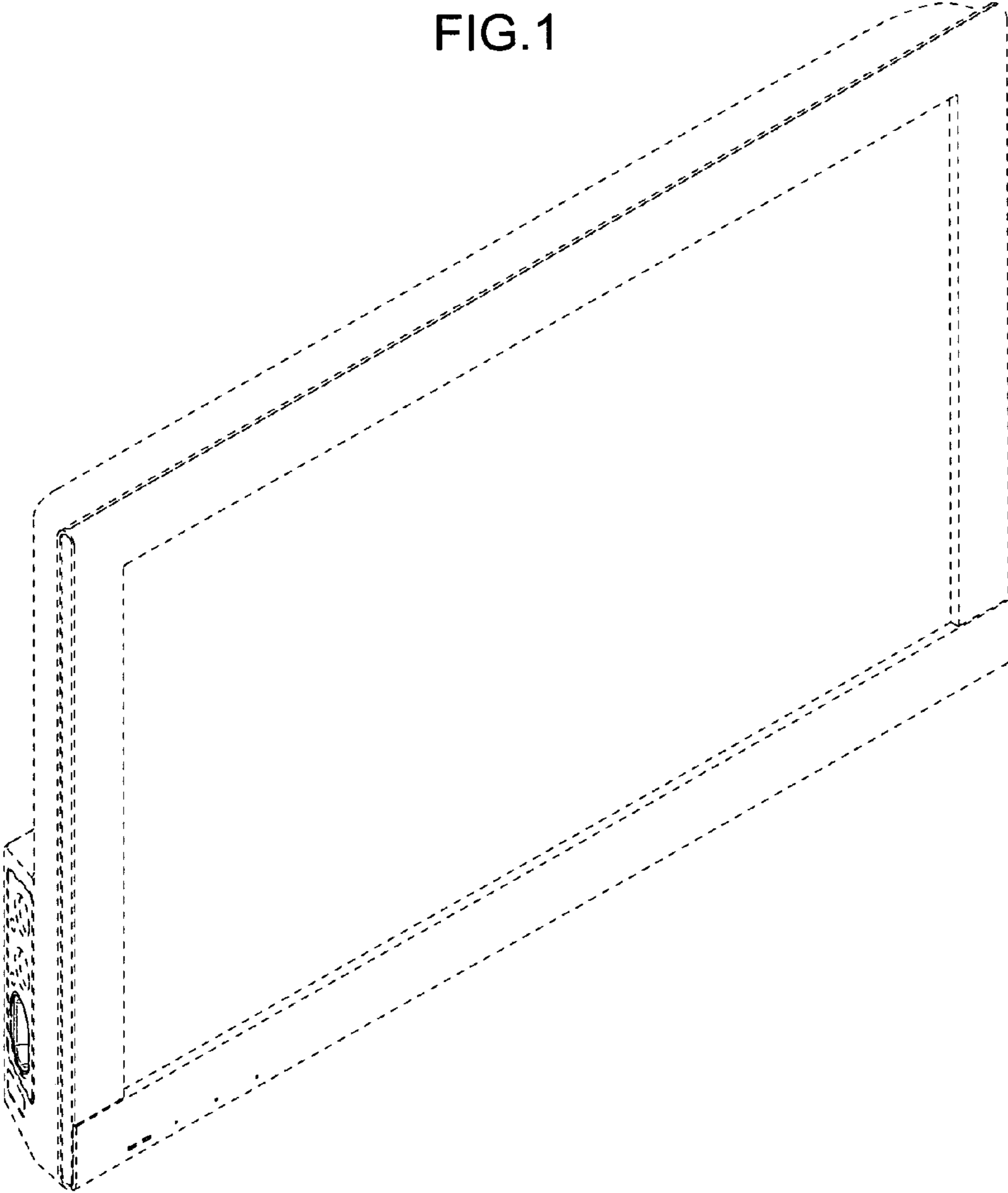


FIG.2

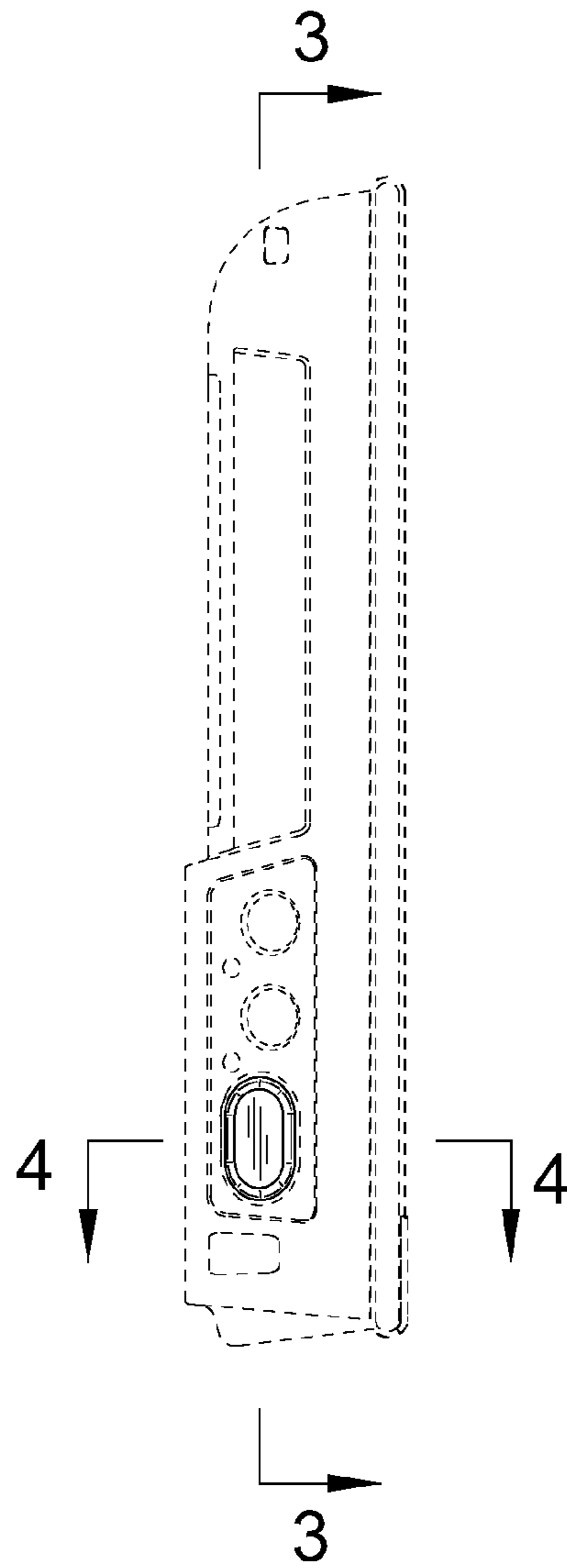


FIG.3

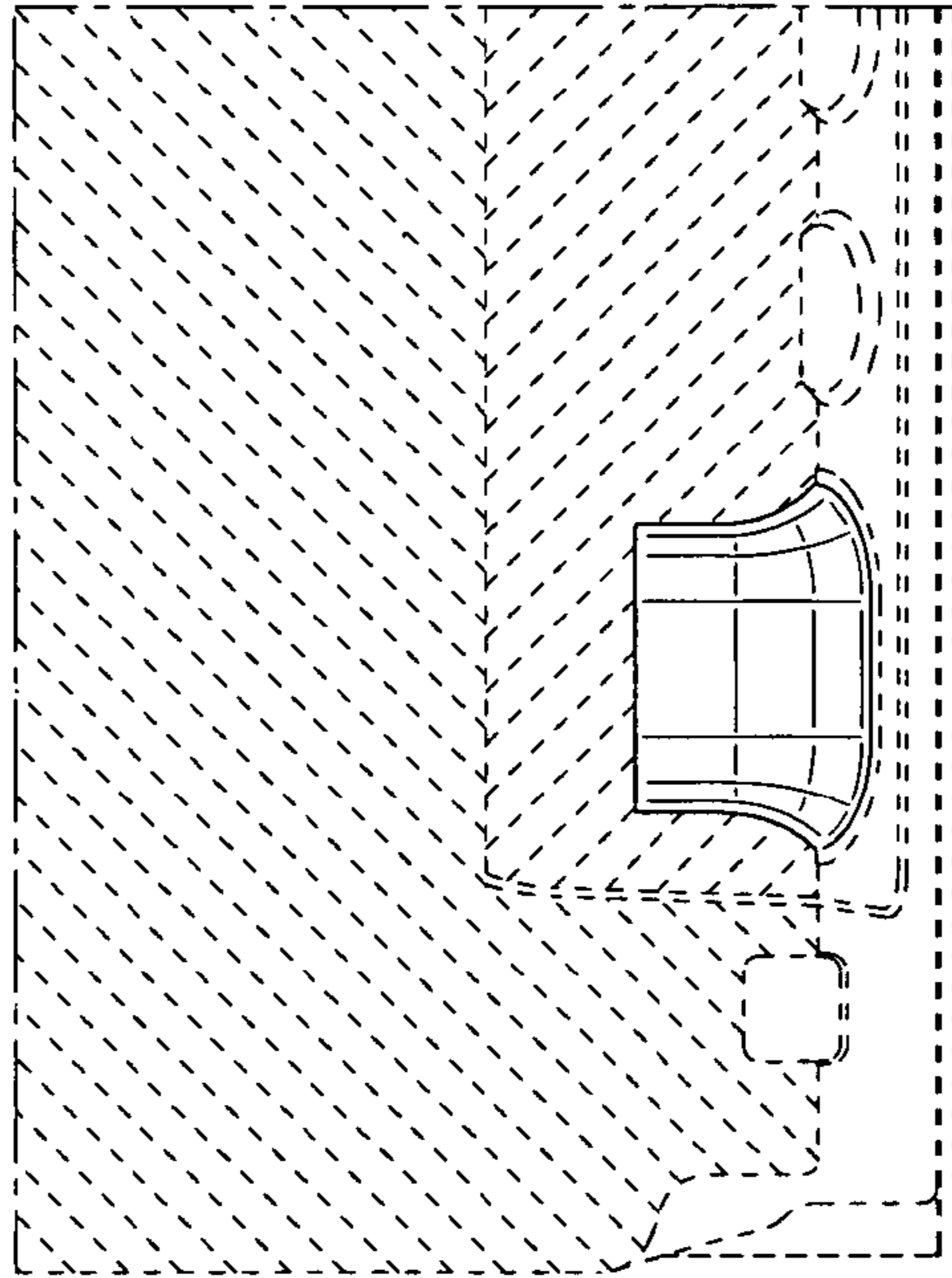


FIG.4

