



US00D678228S

(12) **United States Design Patent**
Suzuki et al.

(10) **Patent No.:** **US D678,228 S**
(45) **Date of Patent:** **** Mar. 19, 2013**

(54) **CHAMBER BLOCK**

(75) Inventors: **Kouki Suzuki**, Nirasaki (JP); **Kazuhiro Furuki**, Nirasaki (JP); **Koichi Yamazaki**, Nirasaki (JP)

(73) Assignee: **Tokyo Electron Limited**, Tokyo (JP)

(**) Term: **14 Years**

(21) Appl. No.: **29/400,573**

(22) Filed: **Aug. 30, 2011**

(30) **Foreign Application Priority Data**

Mar. 30, 2011 (JP) 2011-007261

(51) **LOC (9) Cl.** **13-99**

(52) **U.S. Cl.** **D13/199**

(58) **Field of Classification Search** D13/199,
D13/101, 117, 118, 133, 180, 182, 184; D15/144,
D15/199; 118/715, 724, 725, 728, 729; 156/345.52;
204/298.34, 298.35; 392/416

See application file for complete search history.

(56) **References Cited**

U.S. PATENT DOCUMENTS

4,340,462	A *	7/1982	Koch	204/298.35
D589,457	S *	3/2009	Capaldi-Tallon	D13/154
D593,969	S *	6/2009	Li	D13/182
D624,503	S *	9/2010	Severing	D13/147
2005/0229849	A1 *	10/2005	Silvetti et al.	118/715

* cited by examiner

Primary Examiner — Derrick Holland

(74) *Attorney, Agent, or Firm* — Oblon, Spivak, McClelland, Maier & Neustadt, L.L.P.

(57) **CLAIM**

The ornamental design for a chamber block, as shown.

DESCRIPTION

FIG. 1 is a front view of a chamber block showing our new design;
FIG. 2 is a rear view thereof;
FIG. 3 is a top plan view thereof;
FIG. 4 is a bottom plan view thereof;
FIG. 5 is a right side view thereof;
FIG. 6 is a left side view thereof;
FIG. 7 is a perspective view thereof; and,
FIG. 8 is a sectional perspective view taken along line 8-8 of FIG. 7.

1 Claim, 3 Drawing Sheets

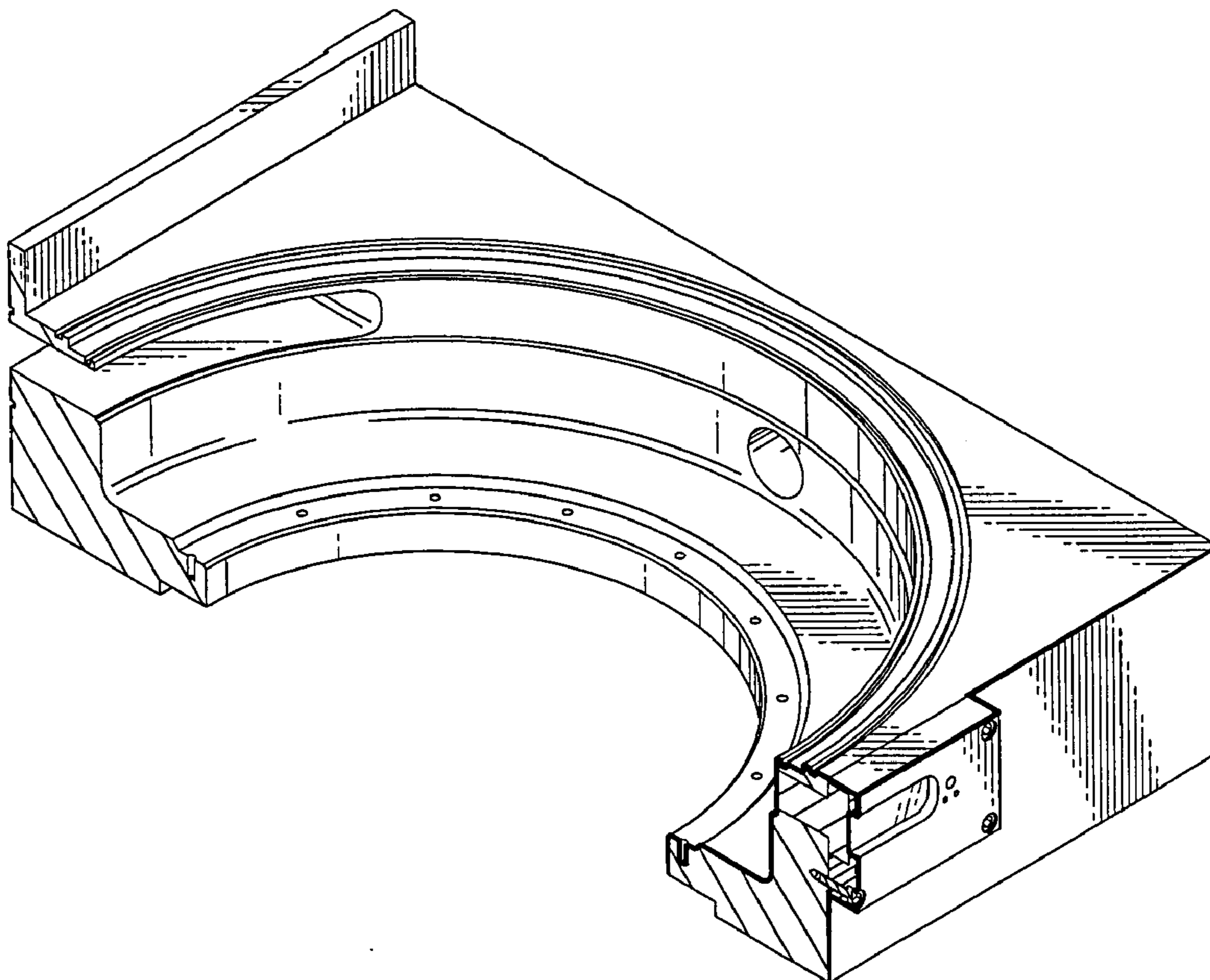


FIG.1

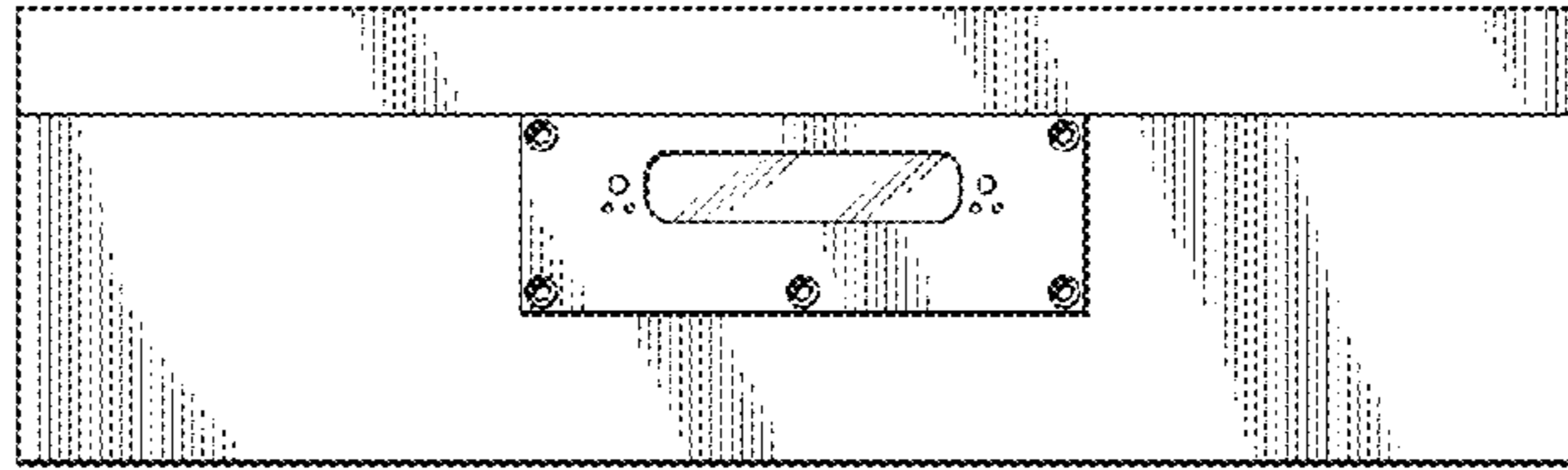


FIG.2

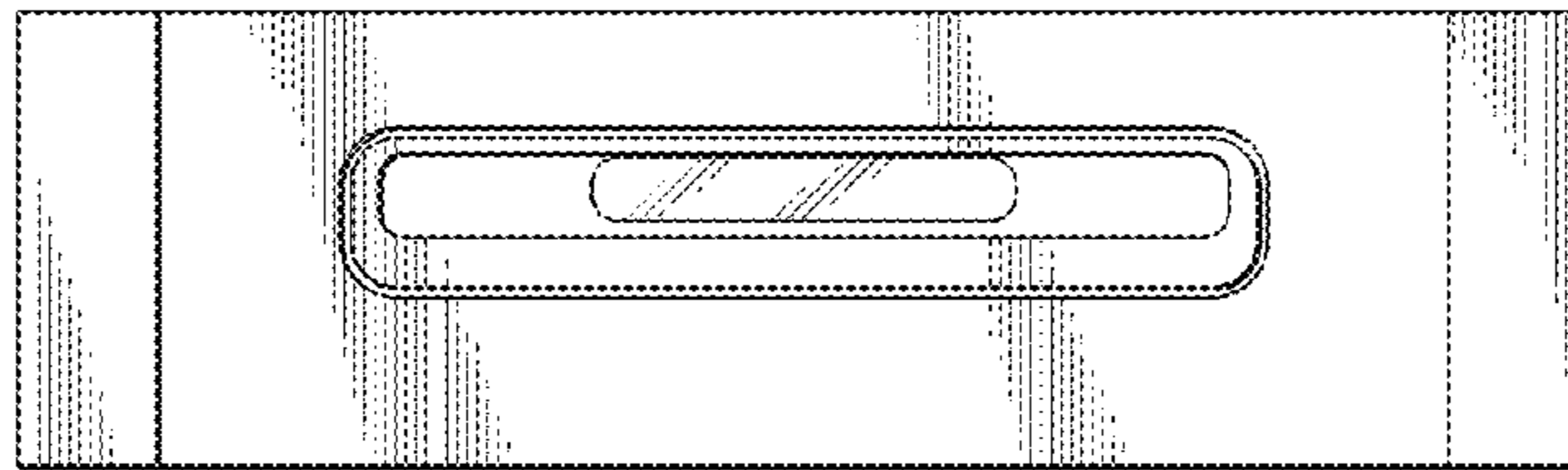


FIG.3

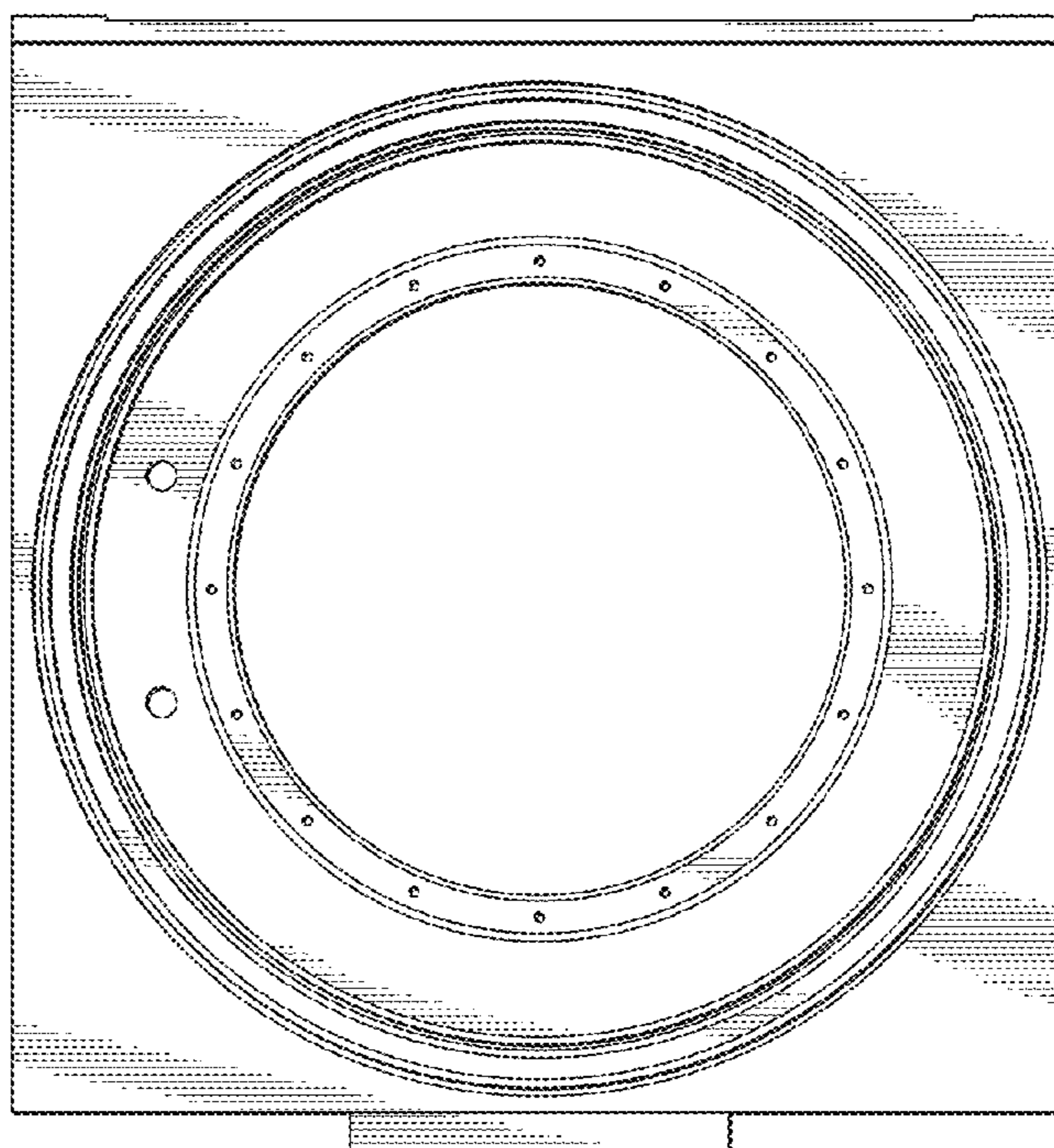


FIG.4

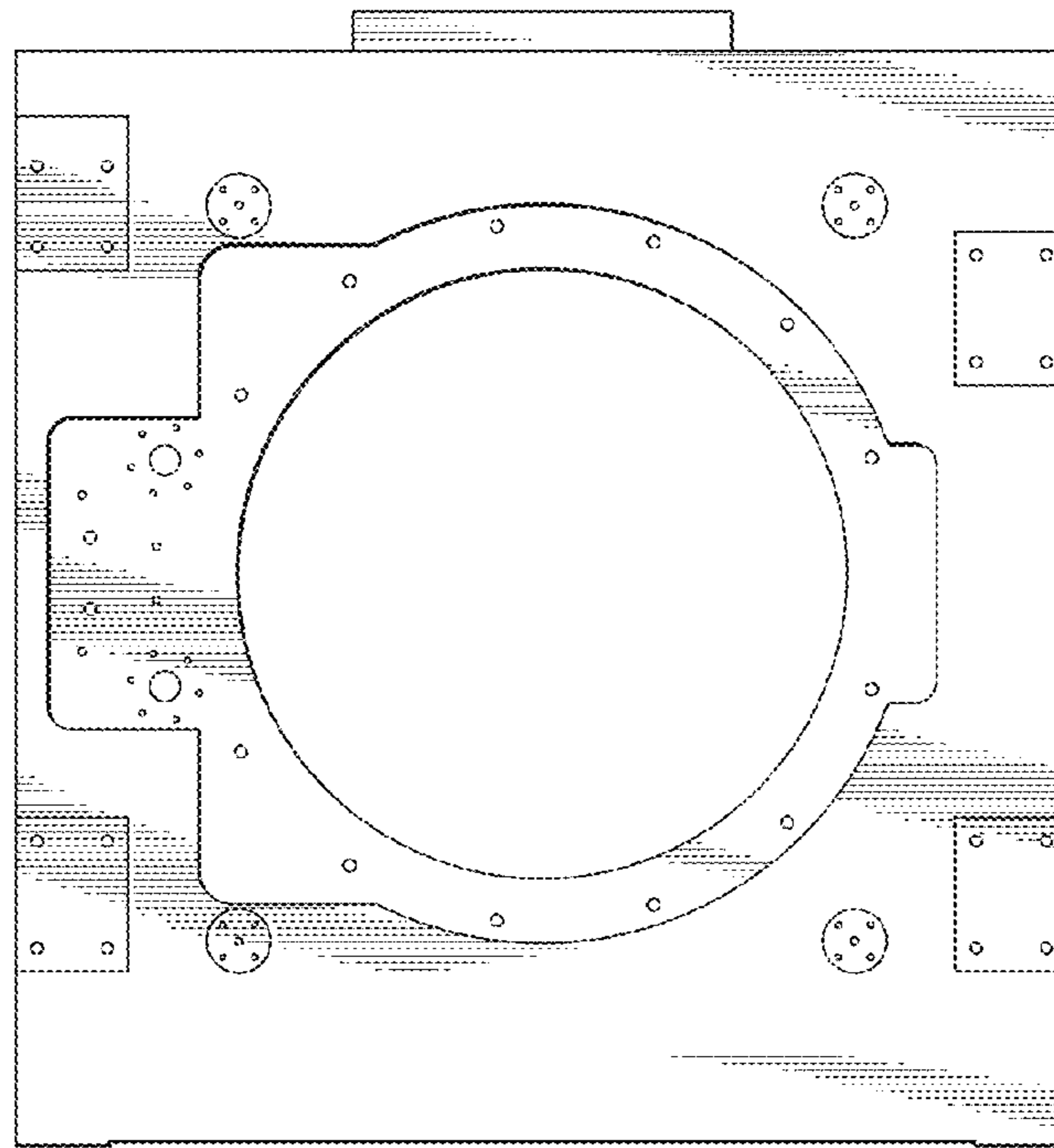


FIG.5

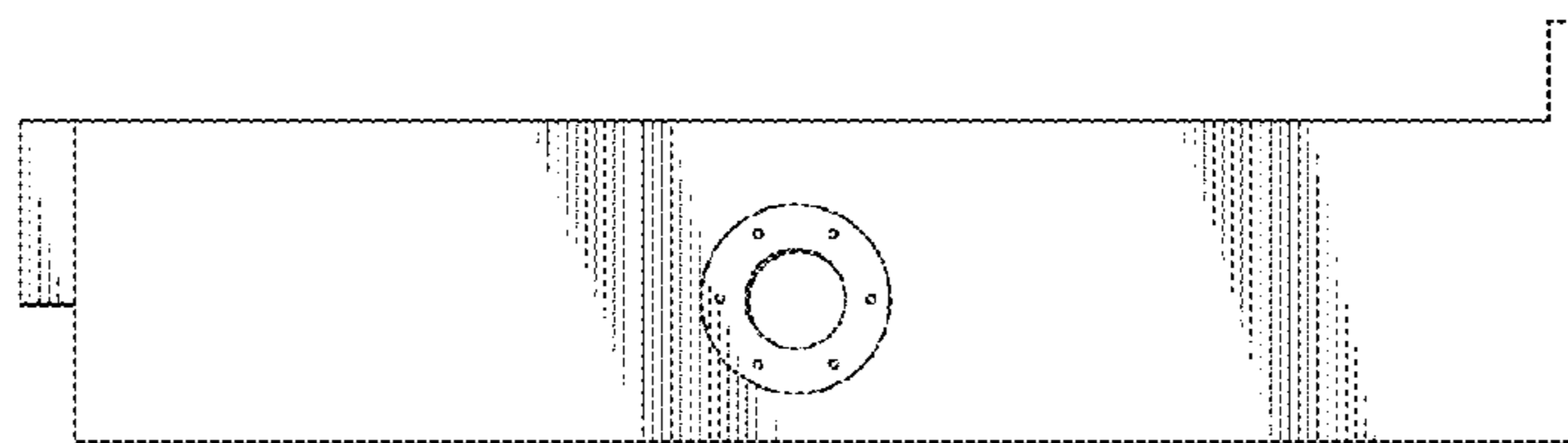


FIG.6

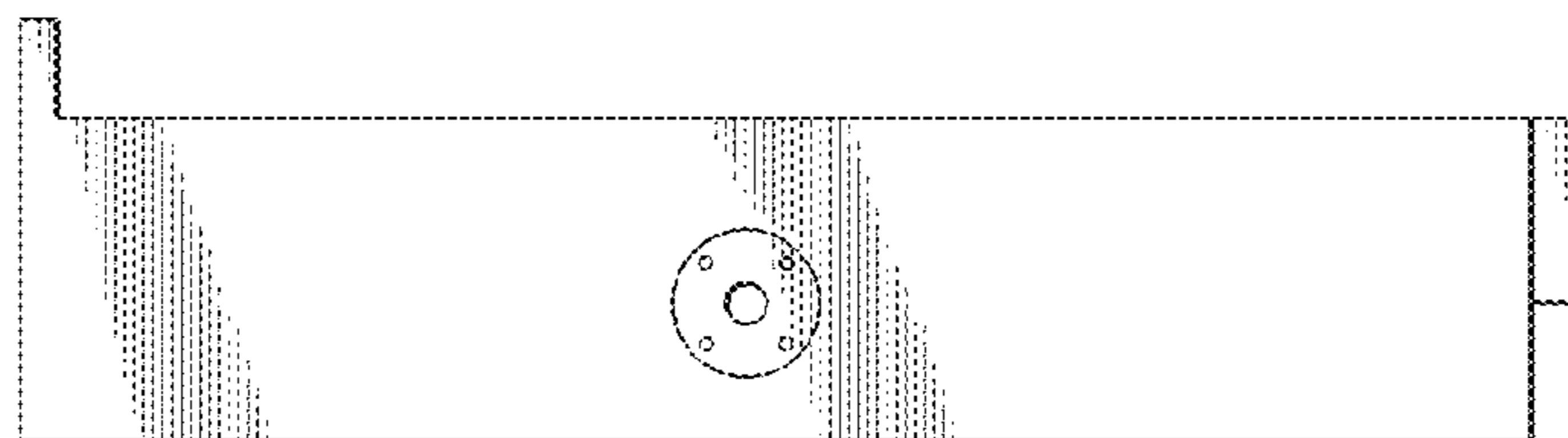


FIG.7

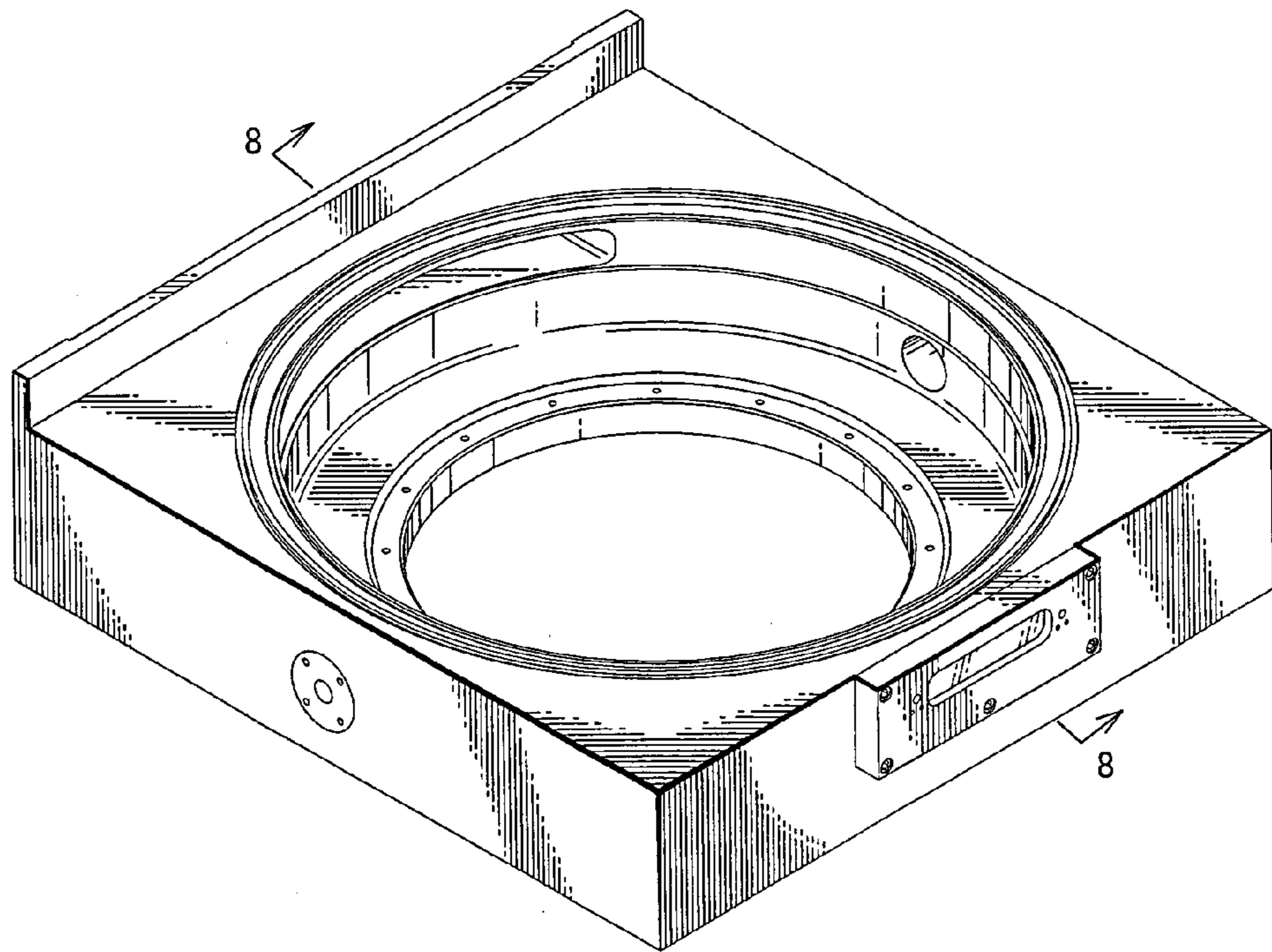


FIG.8

