



US00D678227S

(12) **United States Design Patent**
Takahashi et al.

(10) **Patent No.:** **US D678,227 S**
(45) **Date of Patent:** **** Mar. 19, 2013**

(54) **TAG FOR REMOVABLE PART**

(75) Inventors: **Masaki Takahashi**, Kawasaki (JP);
Kunihiro Ohya, Zama (JP)

(73) Assignee: **Ricoh Company, Ltd.**, Tokyo (JP)

(**) Term: **14 Years**

(21) Appl. No.: **29/386,959**

(22) Filed: **Mar. 7, 2011**

(51) **LOC (9) Cl.** **13-03**

(52) **U.S. Cl.** **D13/182**

(58) **Field of Classification Search** D13/182;
D14/383, 385; D18/43; 29/389, 545; 340/572.1,
340/572.8; 400/76; 399/12
See application file for complete search history.

(56) **References Cited**

U.S. PATENT DOCUMENTS

5,973,599	A *	10/1999	Nicholson et al.	340/572.8
6,144,301	A *	11/2000	Frieden	340/572.8
6,246,327	B1 *	6/2001	Eberhardt	340/572.1
6,462,661	B2 *	10/2002	Pfeiffer et al.	340/572.8
7,088,249	B2 *	8/2006	Senba et al.	340/572.8
7,261,479	B2 *	8/2007	Barrus et al.	400/76
7,522,054	B2 *	4/2009	Takei	340/572.1
7,688,206	B2 *	3/2010	Carrender	340/572.1
RE41,563	E *	8/2010	Caron et al.	340/572.1
7,866,565	B2 *	1/2011	Toda	235/492
7,971,792	B2 *	7/2011	Seriu et al.	235/492
2004/0233042	A1 *	11/2004	Piccoli et al.	340/10.1
2006/0170557	A1 *	8/2006	Berson	340/572.8
2006/0202800	A1 *	9/2006	Ohashi et al.	340/10.1
2007/0023516	A1 *	2/2007	Chapman et al.	235/432

* cited by examiner

Primary Examiner — Selina Sikder

(74) *Attorney, Agent, or Firm* — Dickstein Shapiro LLP

(57) **CLAIM**

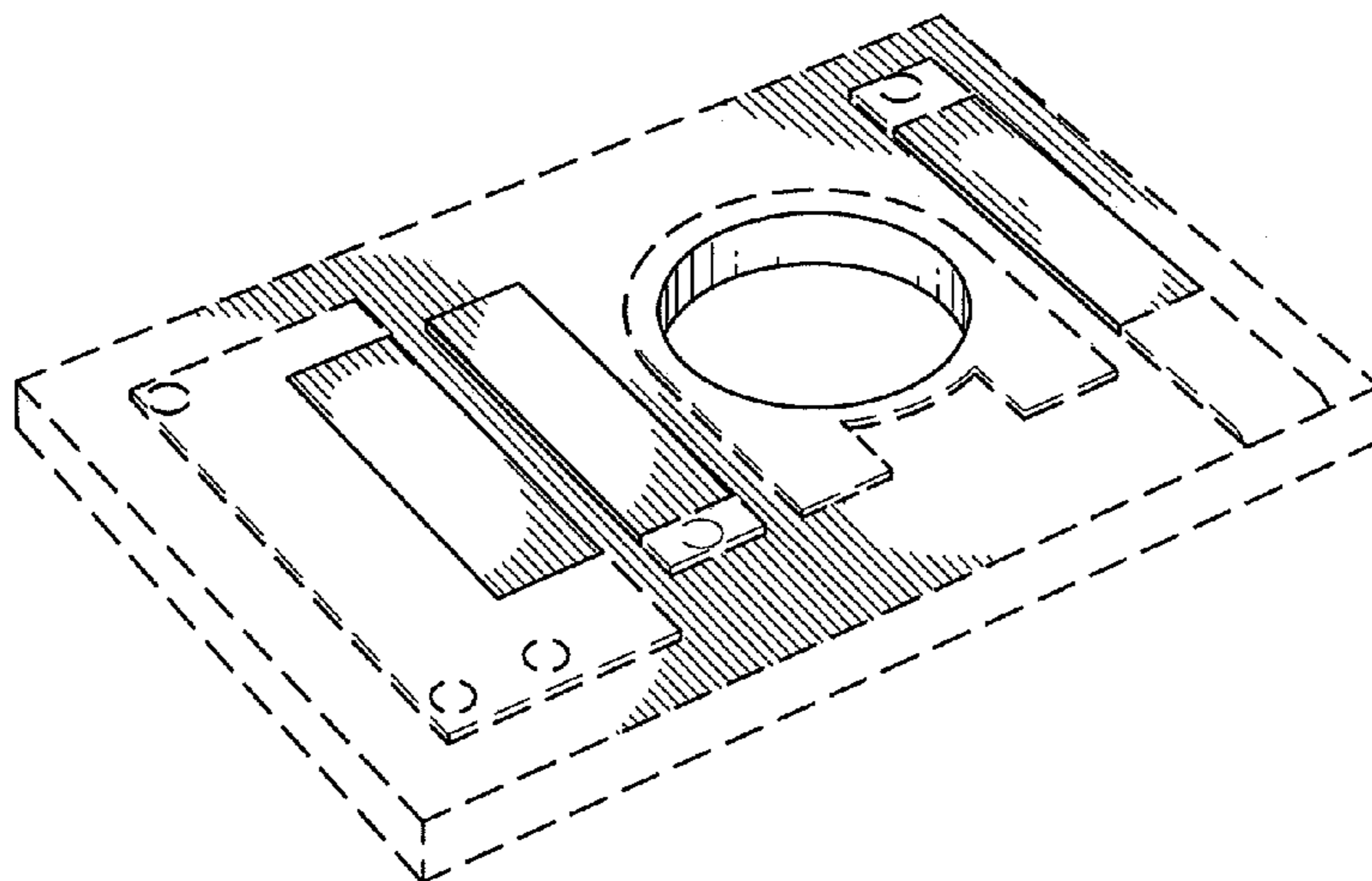
The ornamental design for a tag for removable part, as shown and described.

DESCRIPTION

FIG. 1 is a front view of the tag for removable part, showing the new design;
FIG. 2 is a rear view thereof;
FIG. 3 is right-side view thereof;
FIG. 4 is a left-side view thereof;
FIG. 5 is a bottom view thereof;
FIG. 6 is a top view thereof;
FIG. 7 is a rear, right side, and bottom perspective view thereof; and,
FIG. 8 is a front, left side, and bottom perspective view thereof.

The illustrated tag for removable part has a semiconductor integrated circuit. In operation, the tag for removable part is fitted up with a removable part, such as a toner container or an ink container, for an image forming apparatus. The apparatus may be a copying machine, a printing press, a laser printer, an ink-jet printer, or the like. When the removable part is set up to the image forming apparatus, information recorded in the integrated circuit is transmitted to the apparatus. The integrated circuit is located in a hemispherical element shown by a circular broken line in FIG. 2. FIG. 1 shows a hole terminal by a circular solid line, three rectangular terminals by solid lines, and a contacting terminal of hole terminal by broken lines. The contacting terminal of hole terminal is located between two of the rectangular terminals, and surrounds the hole terminal. The hole terminal extends through a substrate. The broken line showing of portions of the tag for removable part is for the purpose of illustrating environmental structure and forms no part of the claimed design.

1 Claim, 3 Drawing Sheets



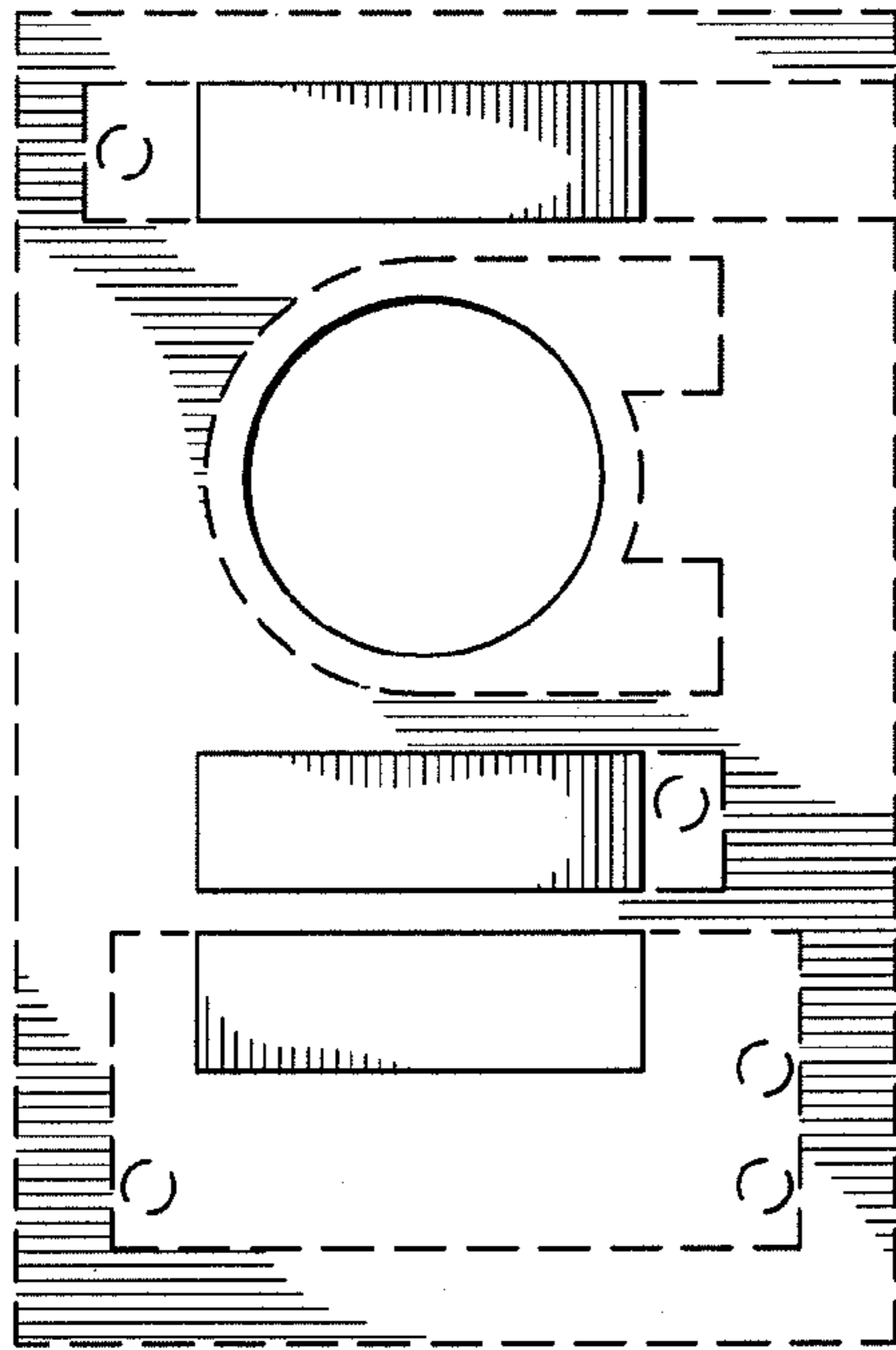


FIG. 1

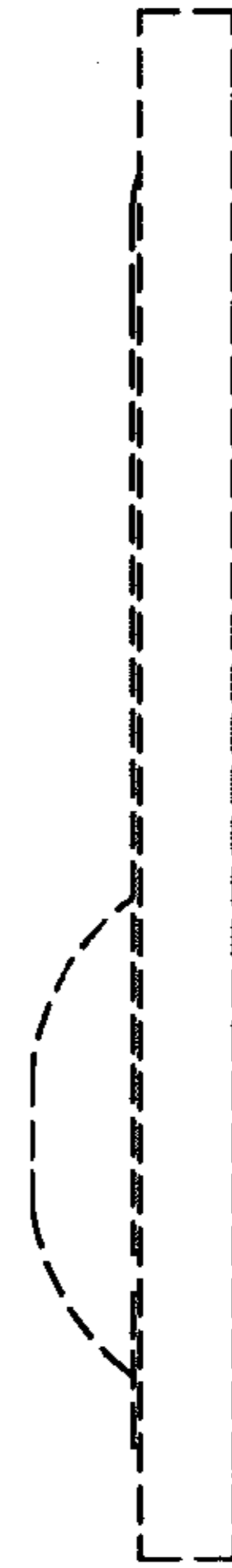


FIG. 3

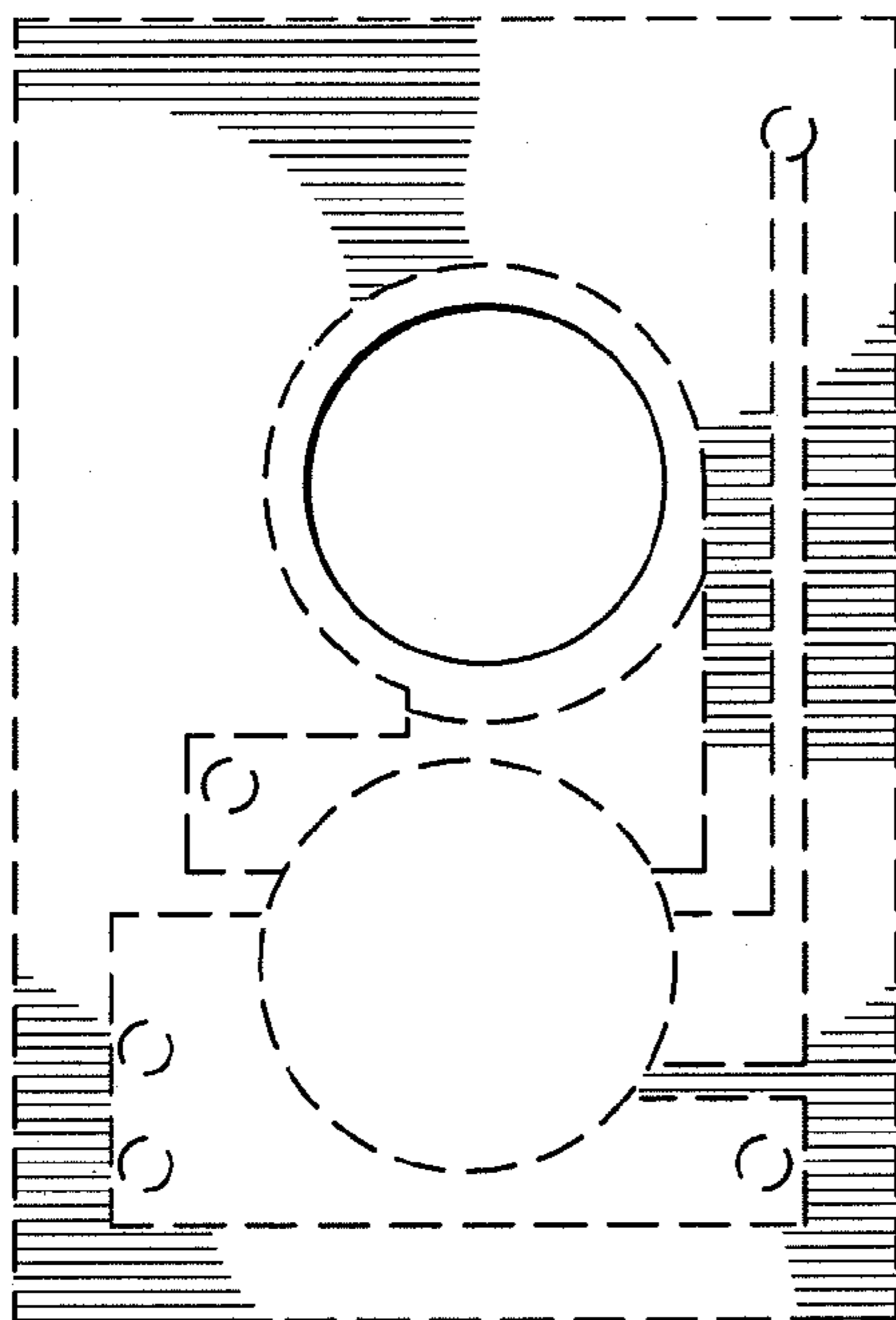


FIG. 2

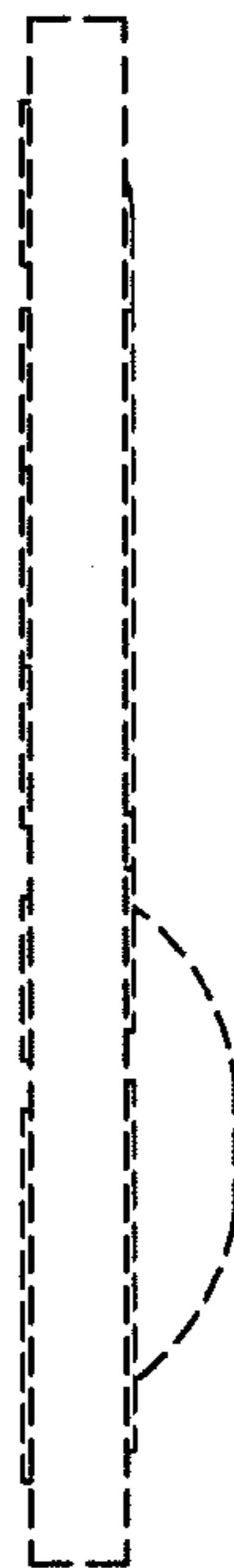


FIG. 4

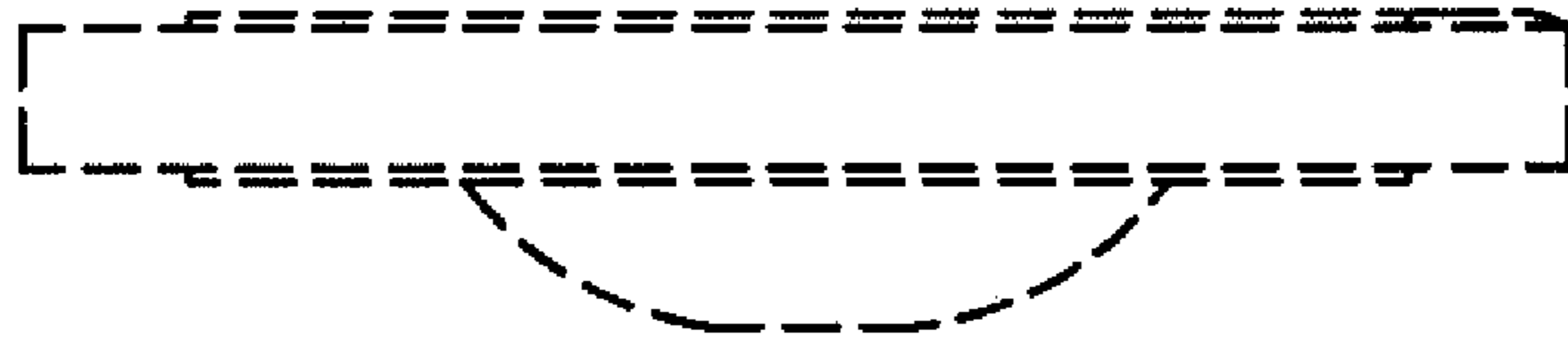


FIG. 5

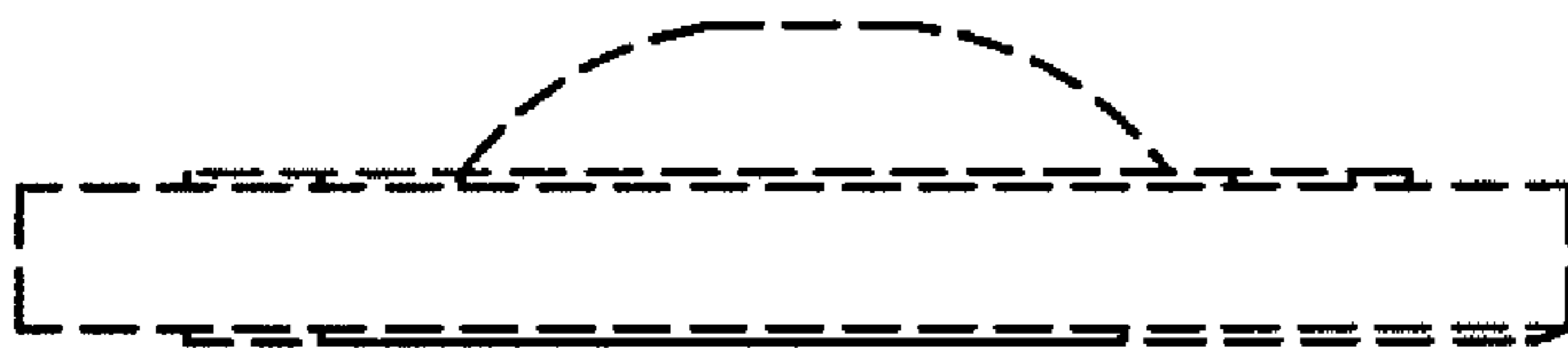


FIG. 6

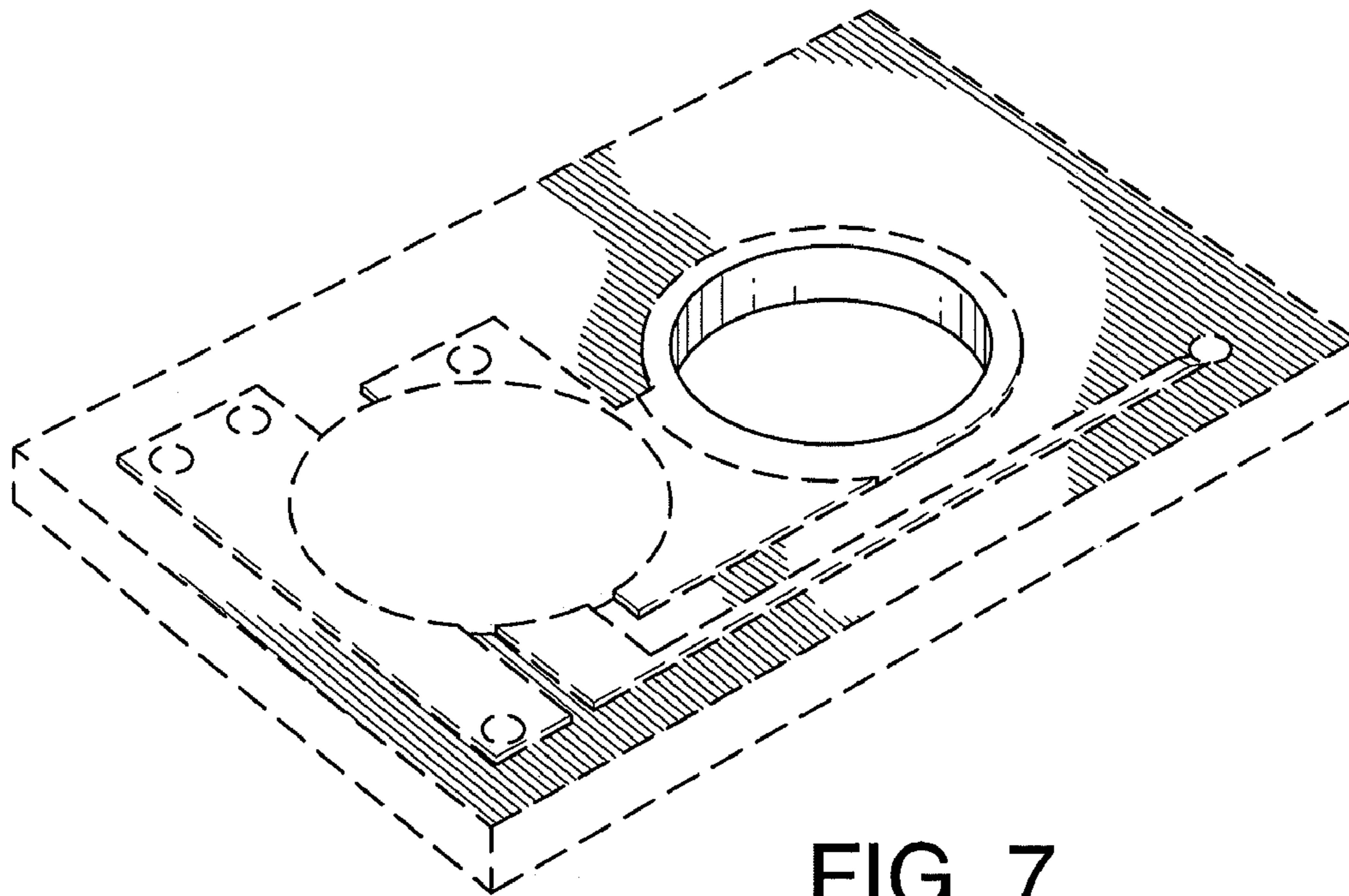


FIG. 7

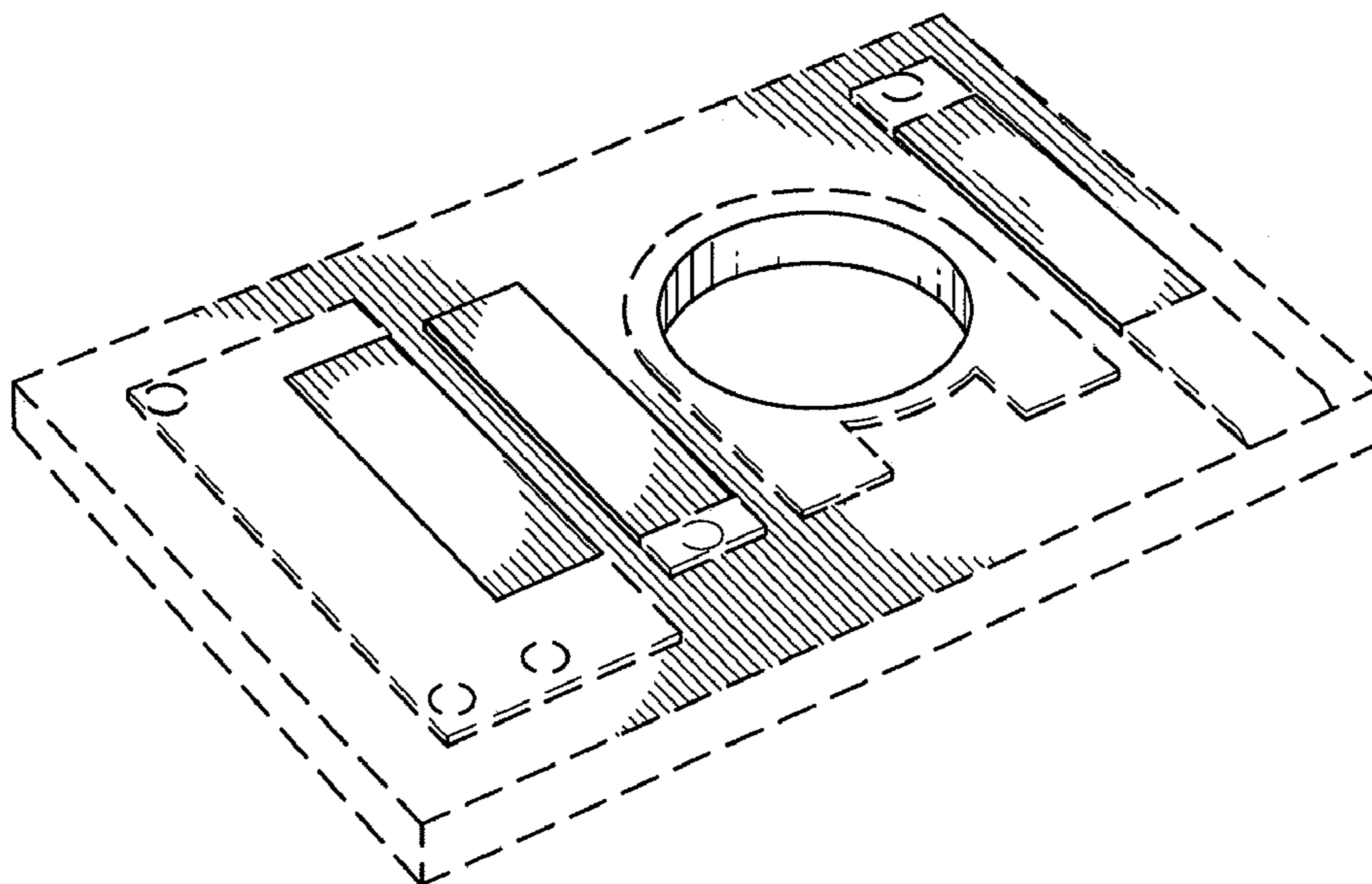


FIG. 8