



US00D678226S

(12) **United States Design Patent**  
**Hsu et al.**

(10) **Patent No.:** **US D678,226 S**

(45) **Date of Patent:** **\*\* \*Mar. 19, 2013**

(54) **LIGHT EMITTING DIODE PACKAGE**

(75) Inventors: **Hui-Kai Hsu**, Taitung (TW); **Che-Ming Hsu**, Chang Hwa County (TW)

(73) Assignee: **Lextar Electronics Corp.**, Hsinchu (TW)

(\*) Notice: This patent is subject to a terminal disclaimer.

(\*\*) Term: **14 Years**

(21) Appl. No.: **29/410,509**

(22) Filed: **Jan. 9, 2012**

(30) **Foreign Application Priority Data**

Dec. 15, 2011 (TW) ..... 100306852

(51) **LOC (9) Cl.** ..... **13-03**

(52) **U.S. Cl.** ..... **D13/180**

(58) **Field of Classification Search** ..... D13/180;  
D26/2; 257/79, 80, 81, 88, 89, 95, 98, 99,  
257/100, E33.058; 313/483, 498, 500; 362/555,  
362/800

See application file for complete search history.

(56) **References Cited**

U.S. PATENT DOCUMENTS

D578,084	S	*	10/2008	Kobayakawa	.....	D13/180
D608,309	S	*	1/2010	Kim	.....	D13/180
D628,541	S	*	12/2010	Lin	.....	D13/180
D632,267	S	*	2/2011	Chen et al.	.....	D13/180
D635,529	S	*	4/2011	Hsu	.....	D13/180
D640,995	S	*	7/2011	Lin et al.	.....	D13/180
D640,996	S	*	7/2011	Lee et al.	.....	D13/180
D656,107	S	*	3/2012	Hsu	.....	D13/180
2007/0096114	A1	*	5/2007	Aoki et al.	.....	257/79
2010/0102348	A1	*	4/2010	Lin	.....	257/98
2011/0127566	A1	*	6/2011	Yoon	.....	257/99

\* cited by examiner

*Primary Examiner* — Selina Sikder

(74) *Attorney, Agent, or Firm* — Schmeiser Olsen & Watts LLP

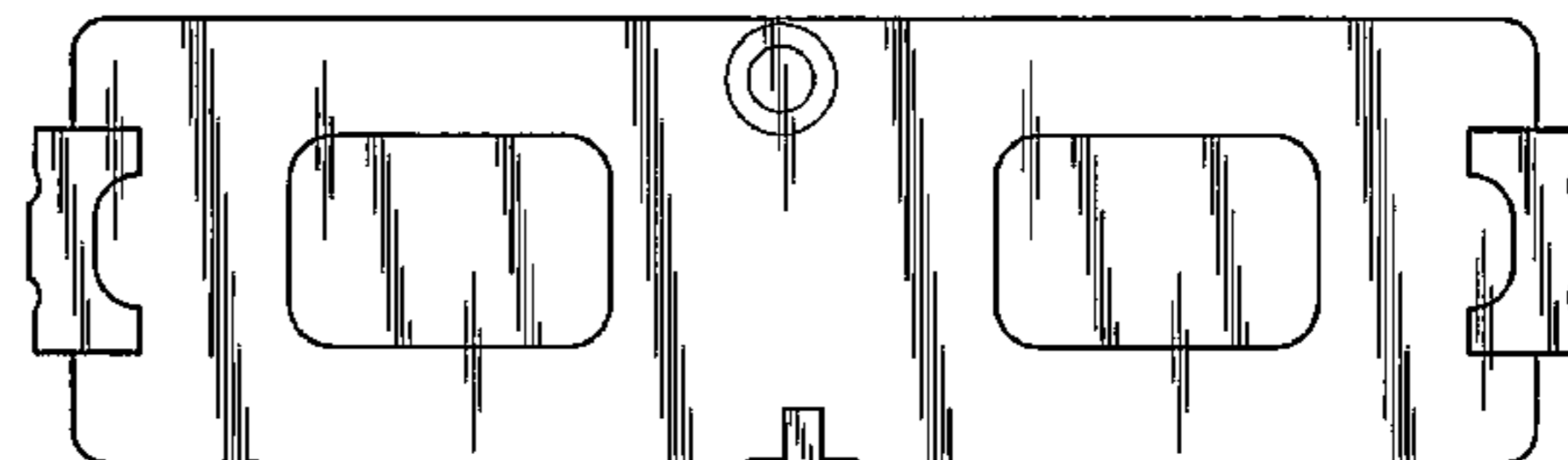
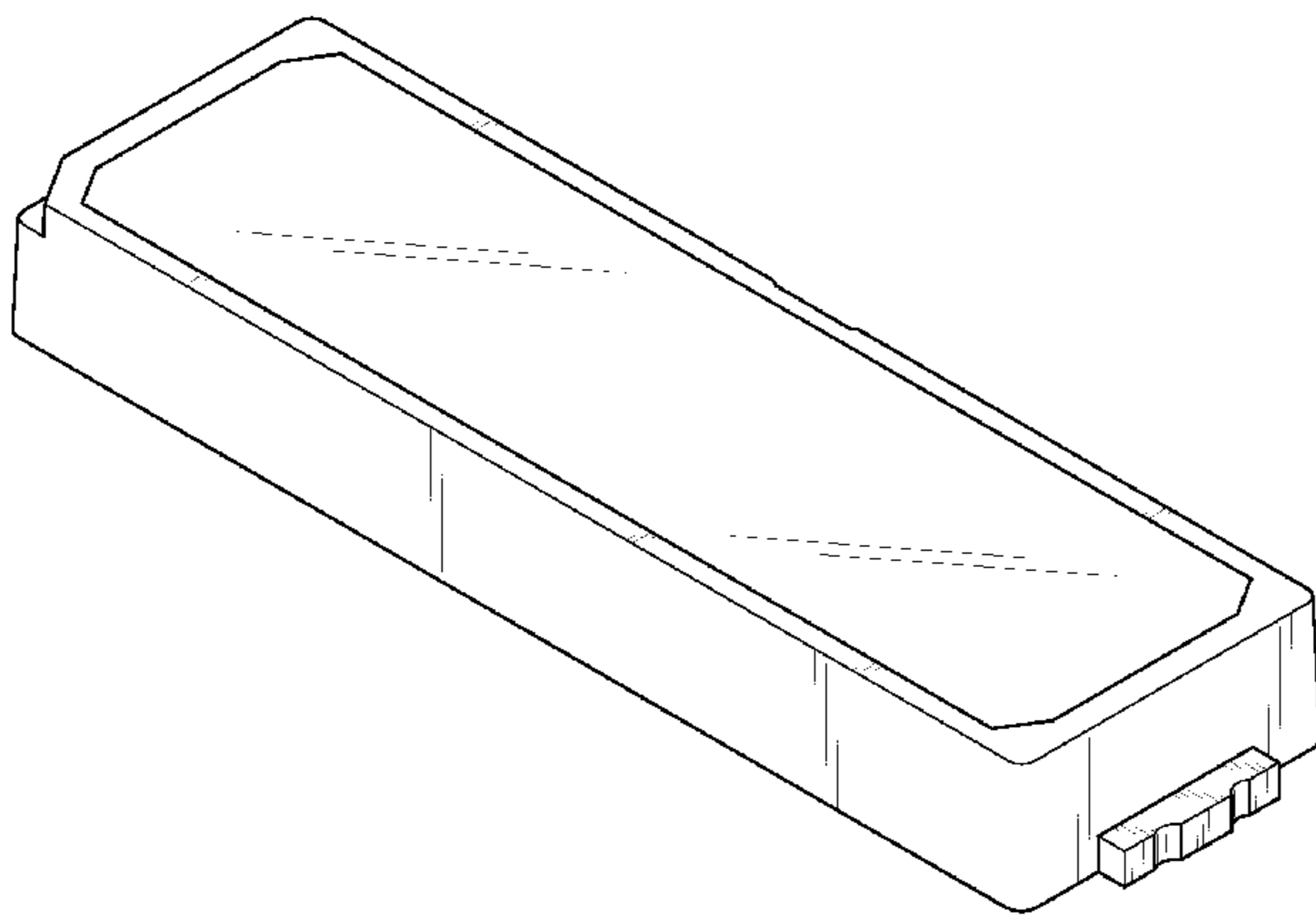
(57) **CLAIM**

The ornamental design for light emitting diode package, as shown and described.

**DESCRIPTION**

FIG. 1 is a front perspective view of light emitting diode package showing the new design;  
FIG. 2 is a front elevational view thereof;  
FIG. 3 is a rear elevational view thereof;  
FIG. 4 is a left side elevational view thereof;  
FIG. 5 is a right side elevational view thereof;  
FIG. 6 is a top plan view thereof; and,  
FIG. 7 is a bottom plan view thereof.

**1 Claim, 7 Drawing Sheets**



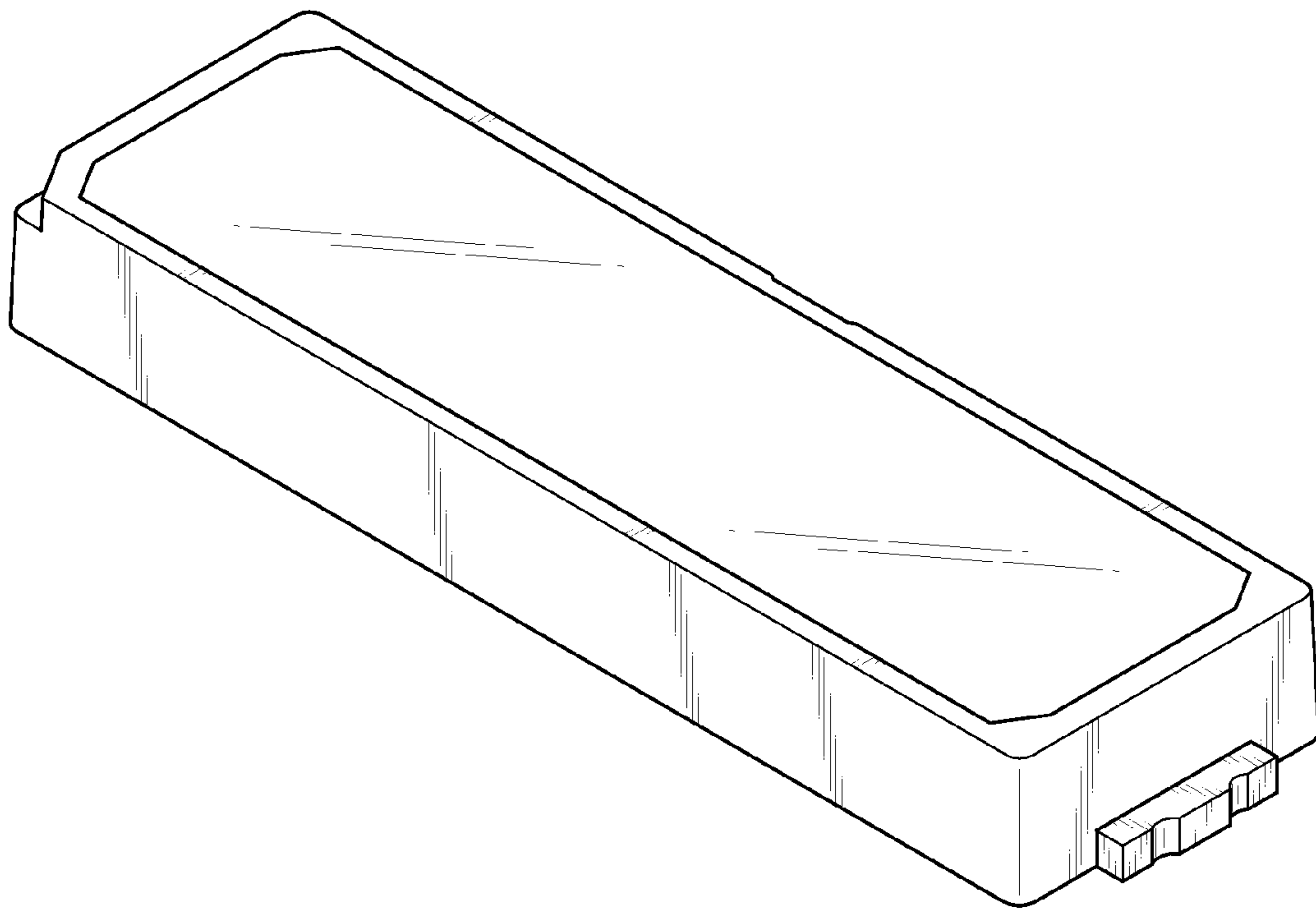


FIG.1

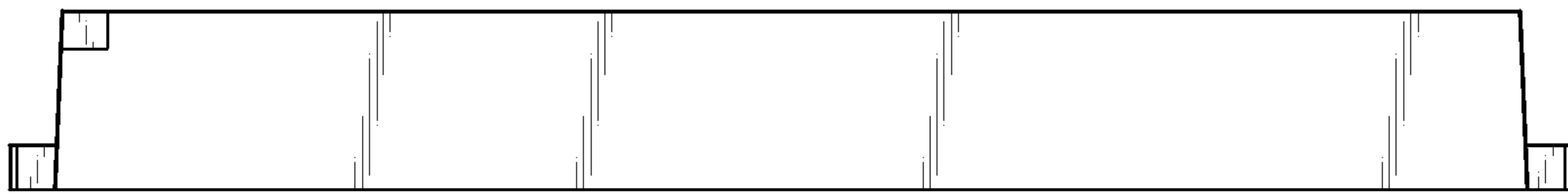


FIG.2

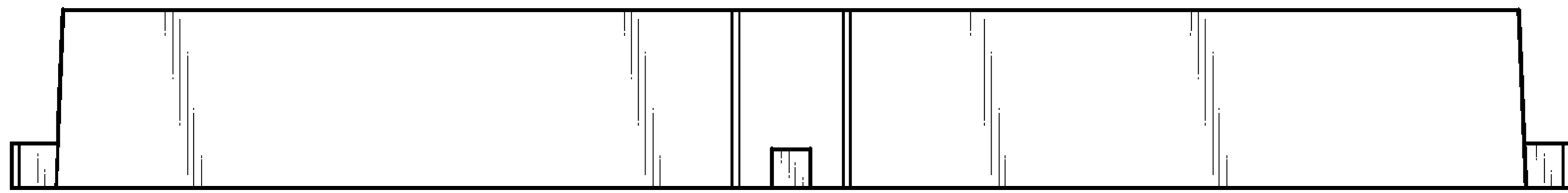
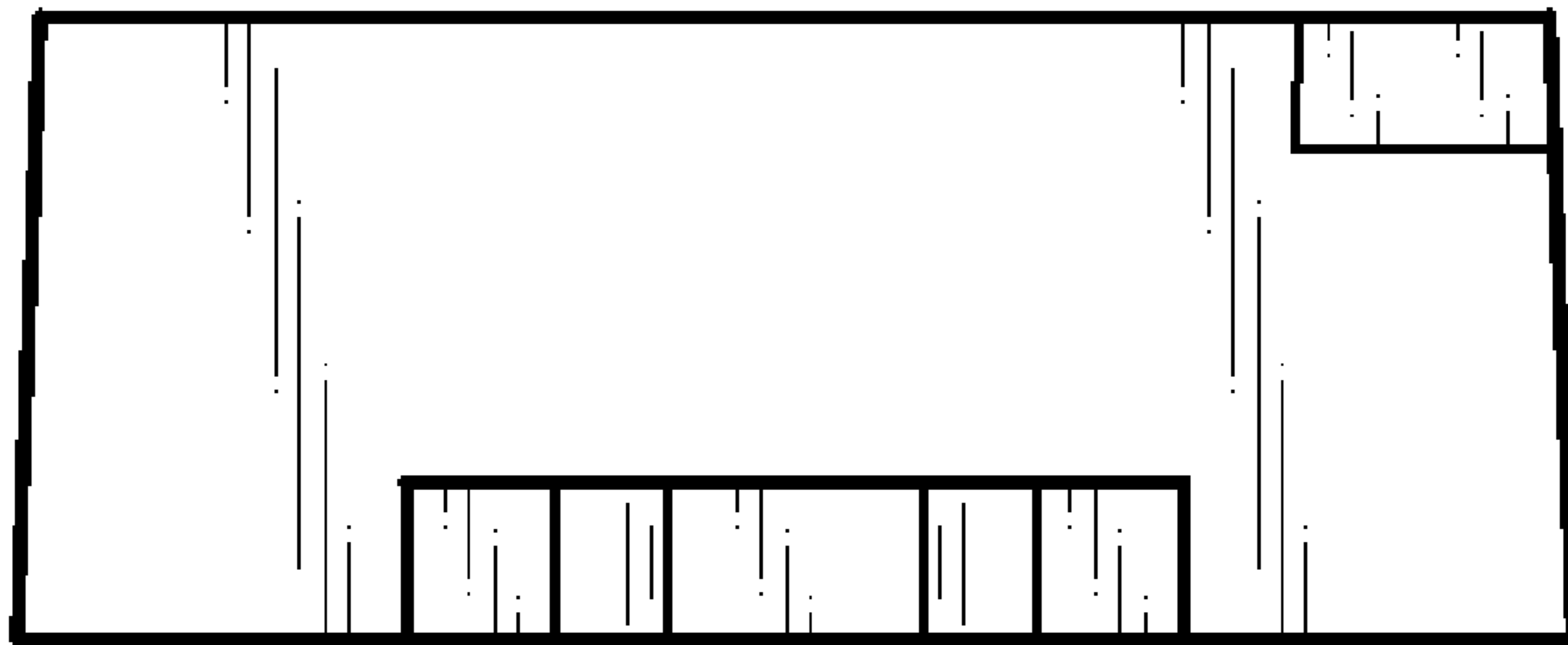
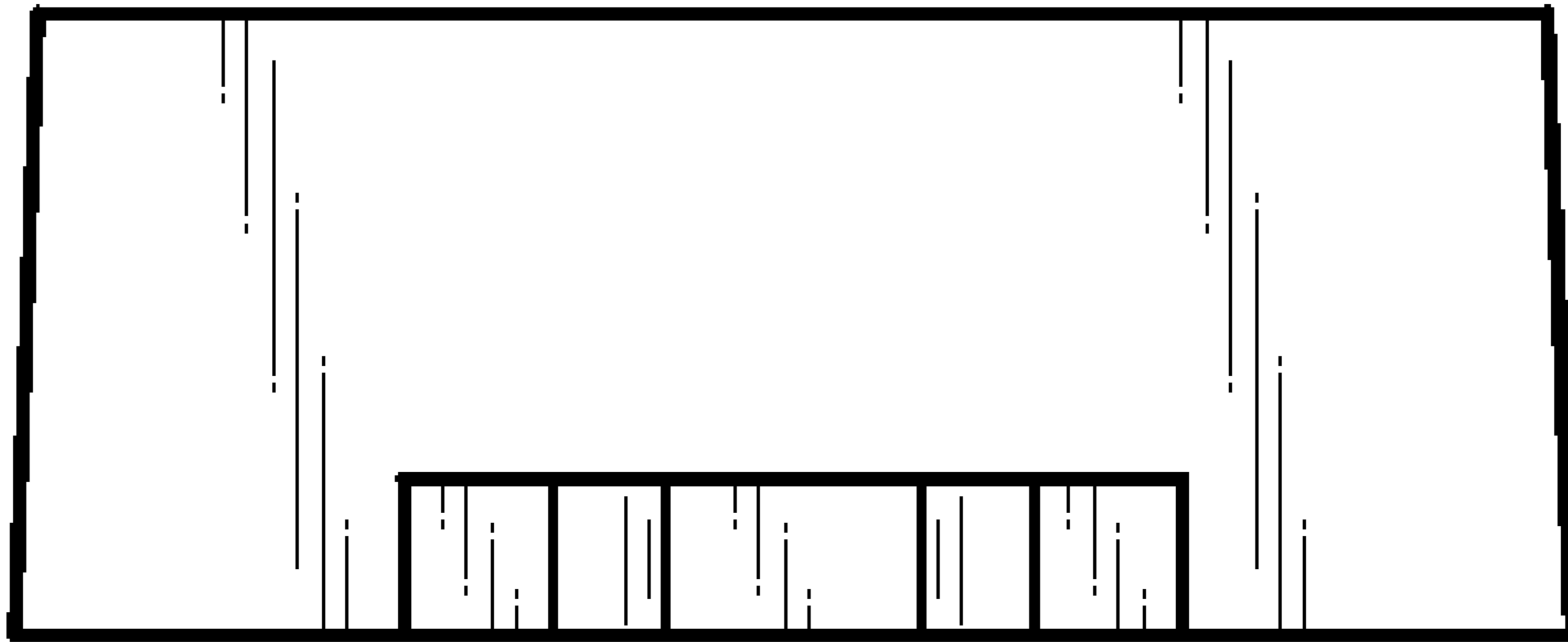


FIG.3



**FIG. 4**



**FIG. 5**

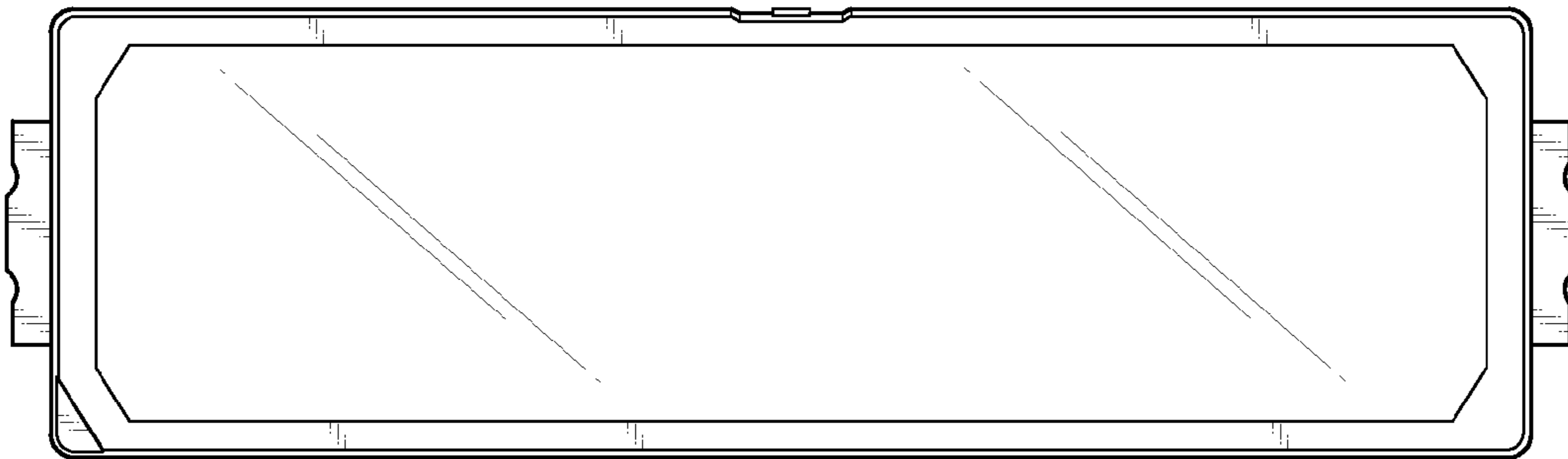


FIG.6

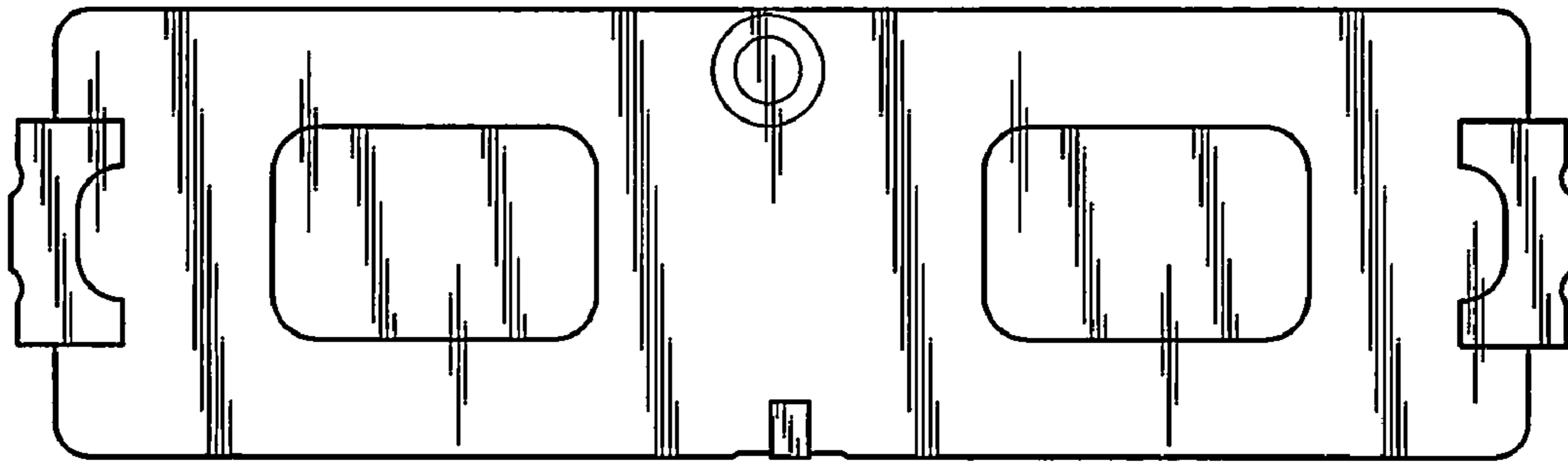


FIG.7