



US00D678221S

(12) **United States Design Patent**
Lukito

(10) **Patent No.:** **US D678,221 S**

(45) **Date of Patent:** **** Mar. 19, 2013**

(54) **INTEGRATED ACTUATOR**

(75) **Inventor:** **Harsoyo Lukito**, Placentia, CA (US)

(73) **Assignee:** **Harsoyo Lukito**, Placentia, CA (US)

(**) **Term:** **14 Years**

(21) **Appl. No.:** **29/372,744**

(22) **Filed:** **Jan. 5, 2011**

(51) **LOC (9) Cl.** **13-03**

(52) **U.S. Cl.** **D13/174; D13/158**

(58) **Field of Classification Search** D13/158,
D13/173, 174; D15/143; 200/237, 238,
200/275, 293, 302.2, 308, 329; 315/291
See application file for complete search history.

(56) **References Cited**

U.S. PATENT DOCUMENTS

6,028,384	A *	2/2000	Billman et al.	310/83
6,774,321	B2 *	8/2004	Komatsu et al.	200/1 B
7,070,117	B2 *	7/2006	Kook	236/74 R
D587,211	S *	2/2009	Greenslade	D13/162
D587,661	S *	3/2009	Blakesley	D13/174
D609,194	S *	2/2010	Lin et al.	D13/158

D614,148	S *	4/2010	Crites	D13/174
D614,150	S *	4/2010	Crites	D13/174
2007/0084707	A1 *	4/2007	van den Brink et al.	200/329
2011/0278144	A1 *	11/2011	Ulomek	200/302.2
2011/0315530	A1 *	12/2011	Xu	200/279
2012/0061216	A1 *	3/2012	Kawakami	200/302.2

* cited by examiner

Primary Examiner — Selina Sikder

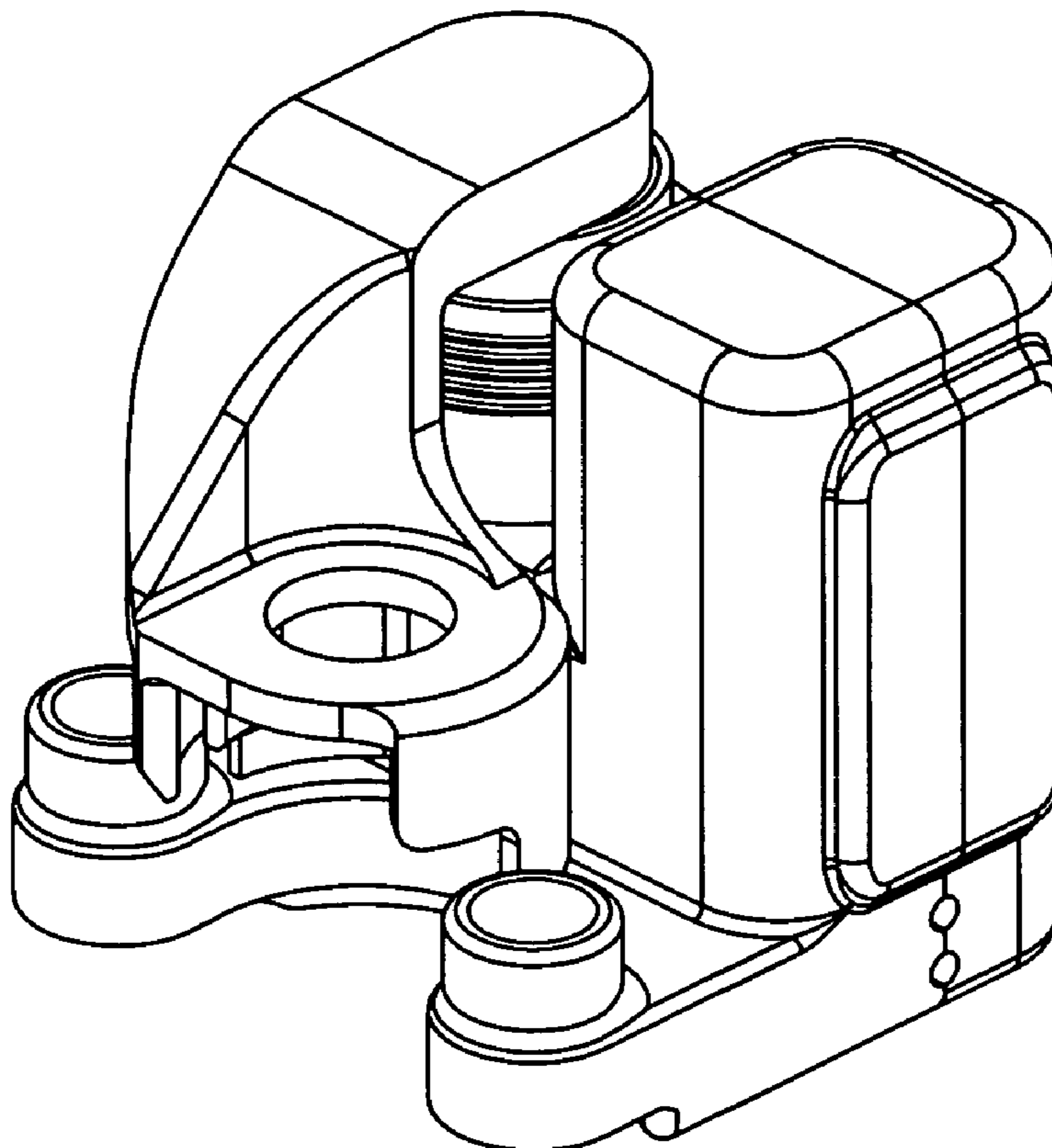
(57) **CLAIM**

The ornamental design for a integrated actuator, as shown and described.

DESCRIPTION

FIG. 1 is a front perspective view of my integrated actuator; FIG. 2 is a top view thereof; FIG. 3 is a bottom view thereof; FIG. 4 is a left side elevation view thereof; FIG. 5 is a right view thereof; FIG. 6 is a front view thereof; and, FIG. 7 is a back view thereof. My integrated actuator is characterized by its unique shape shown FIGS. 1 through 7.

1 Claim, 4 Drawing Sheets



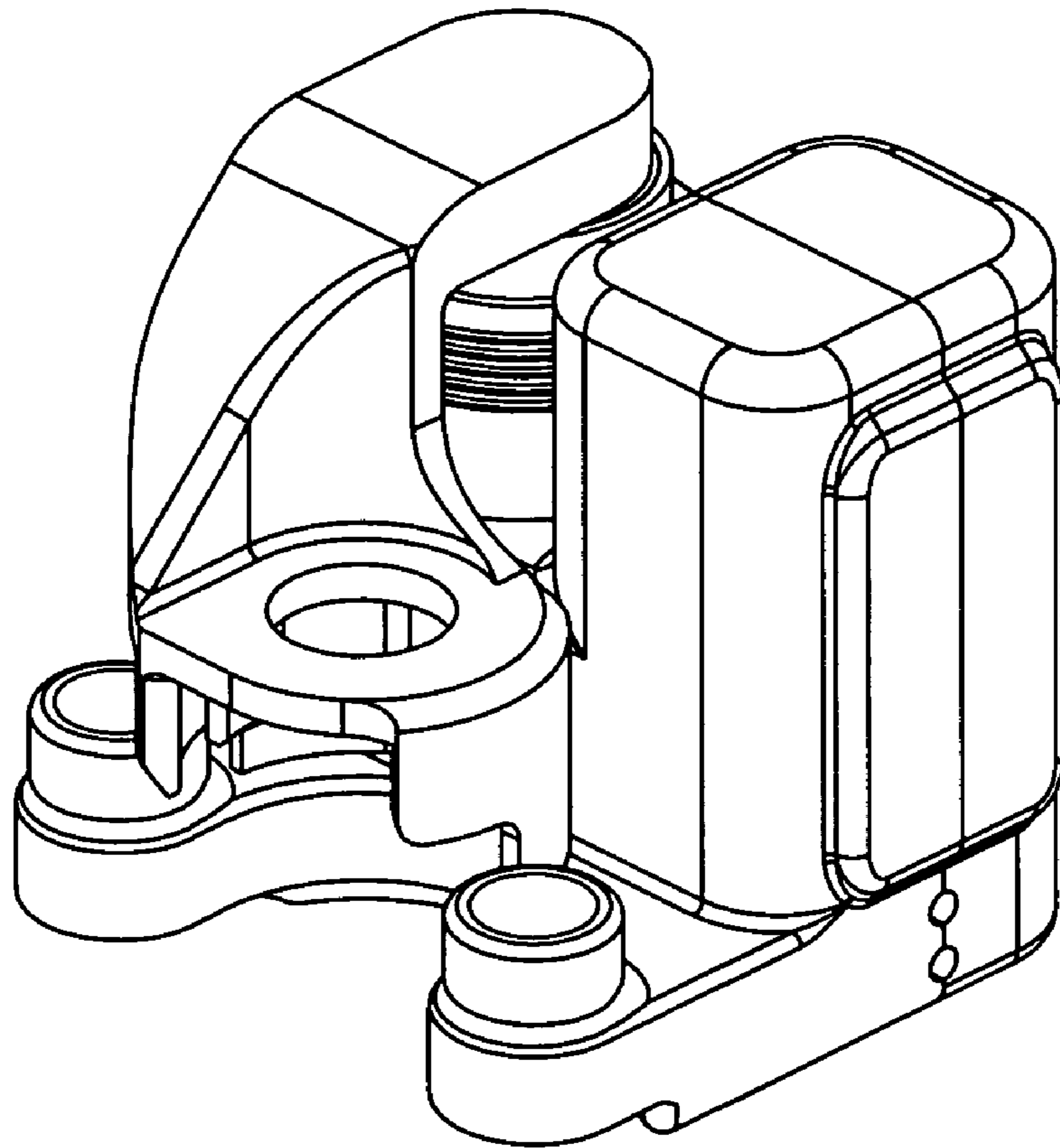


Fig. 1

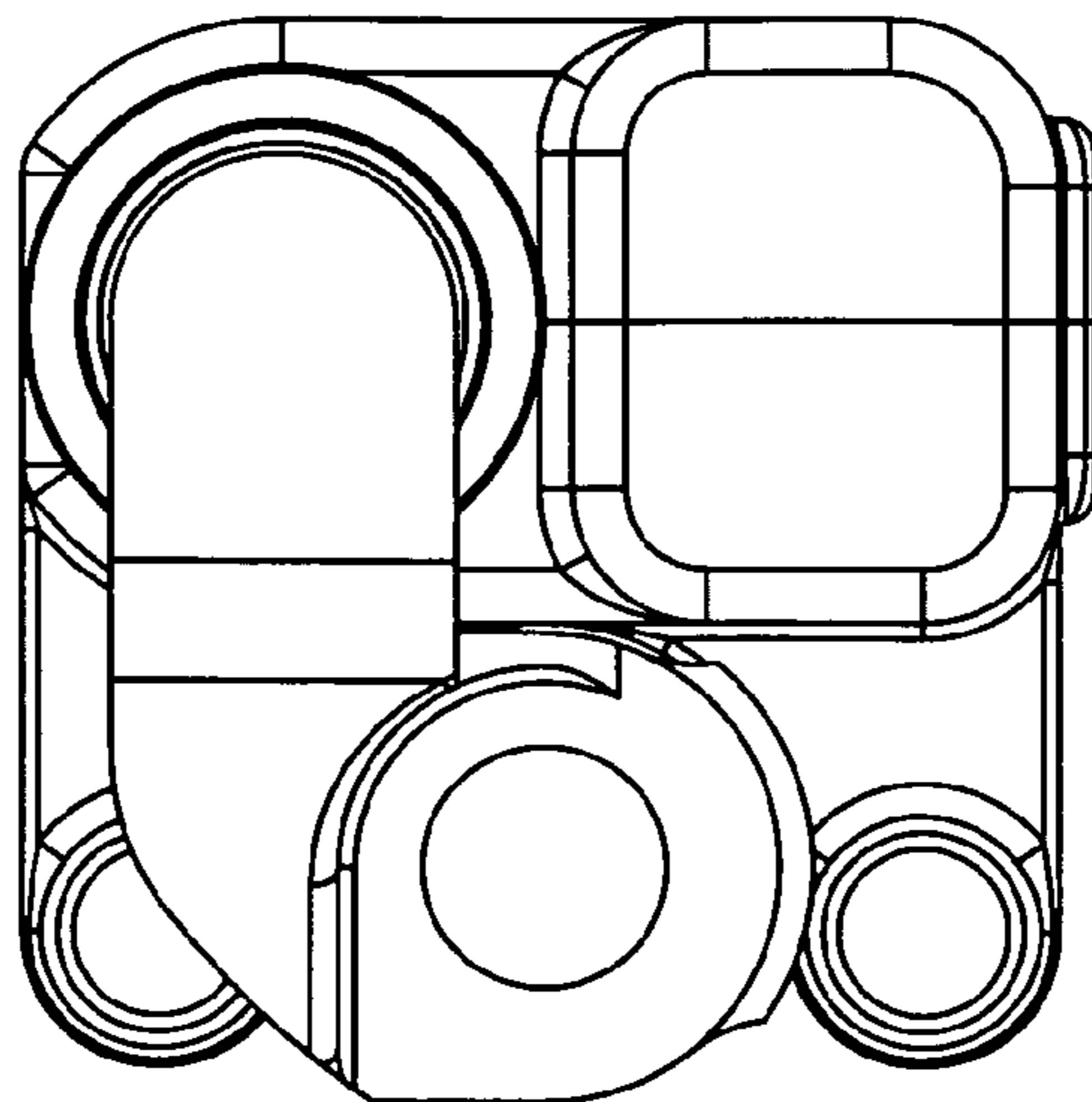


Fig. 2

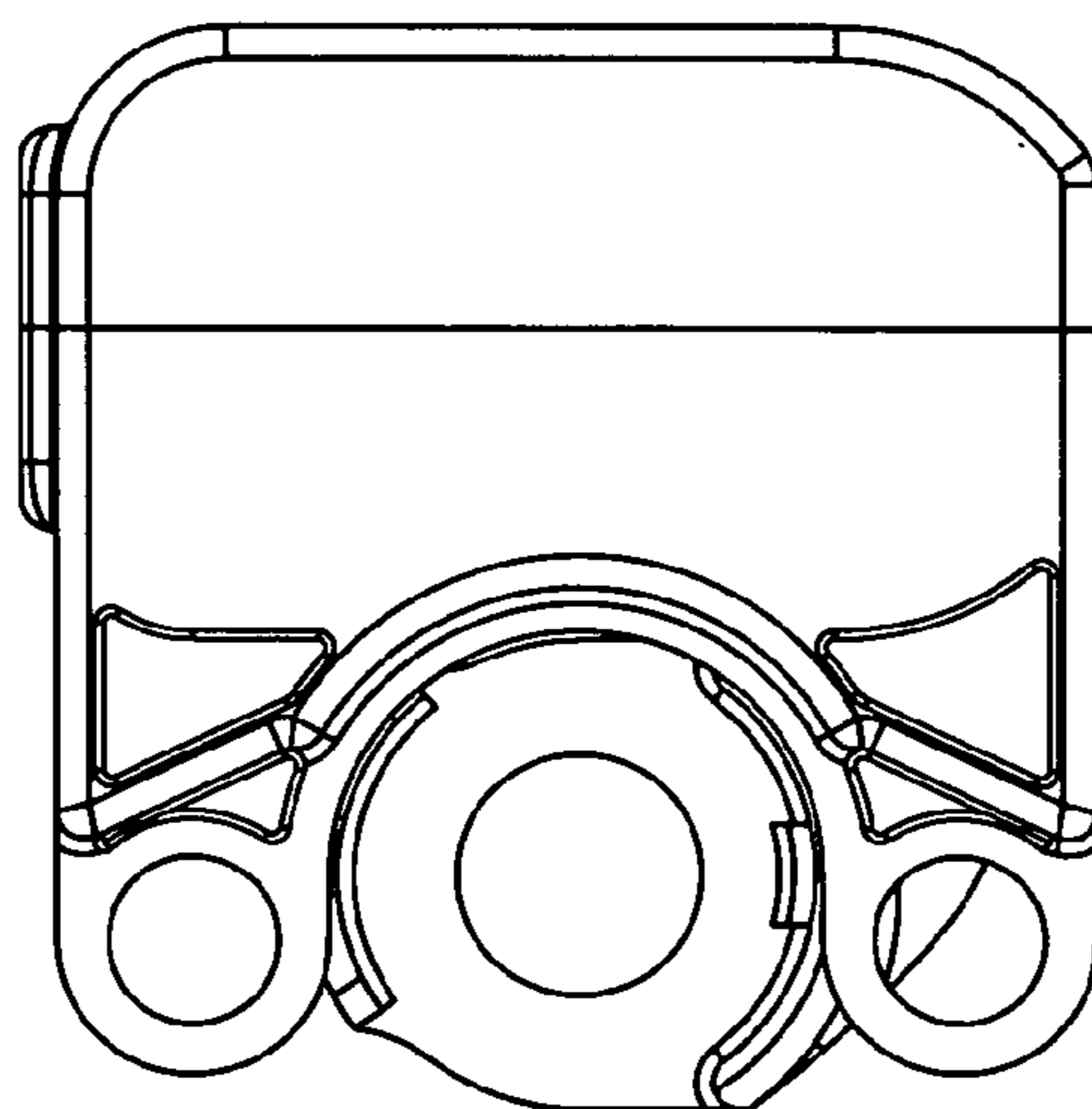


Fig. 3

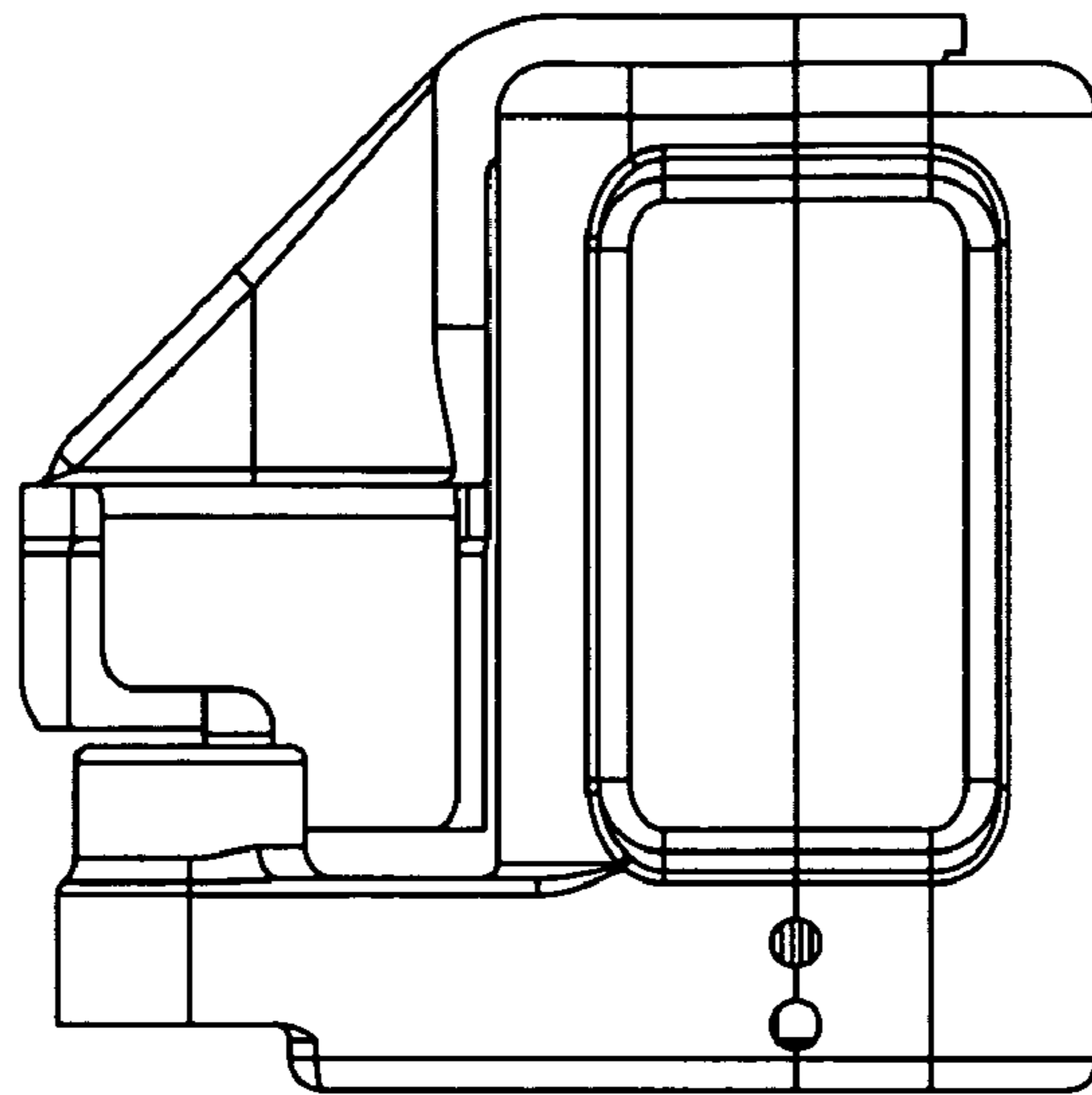


Fig. 4

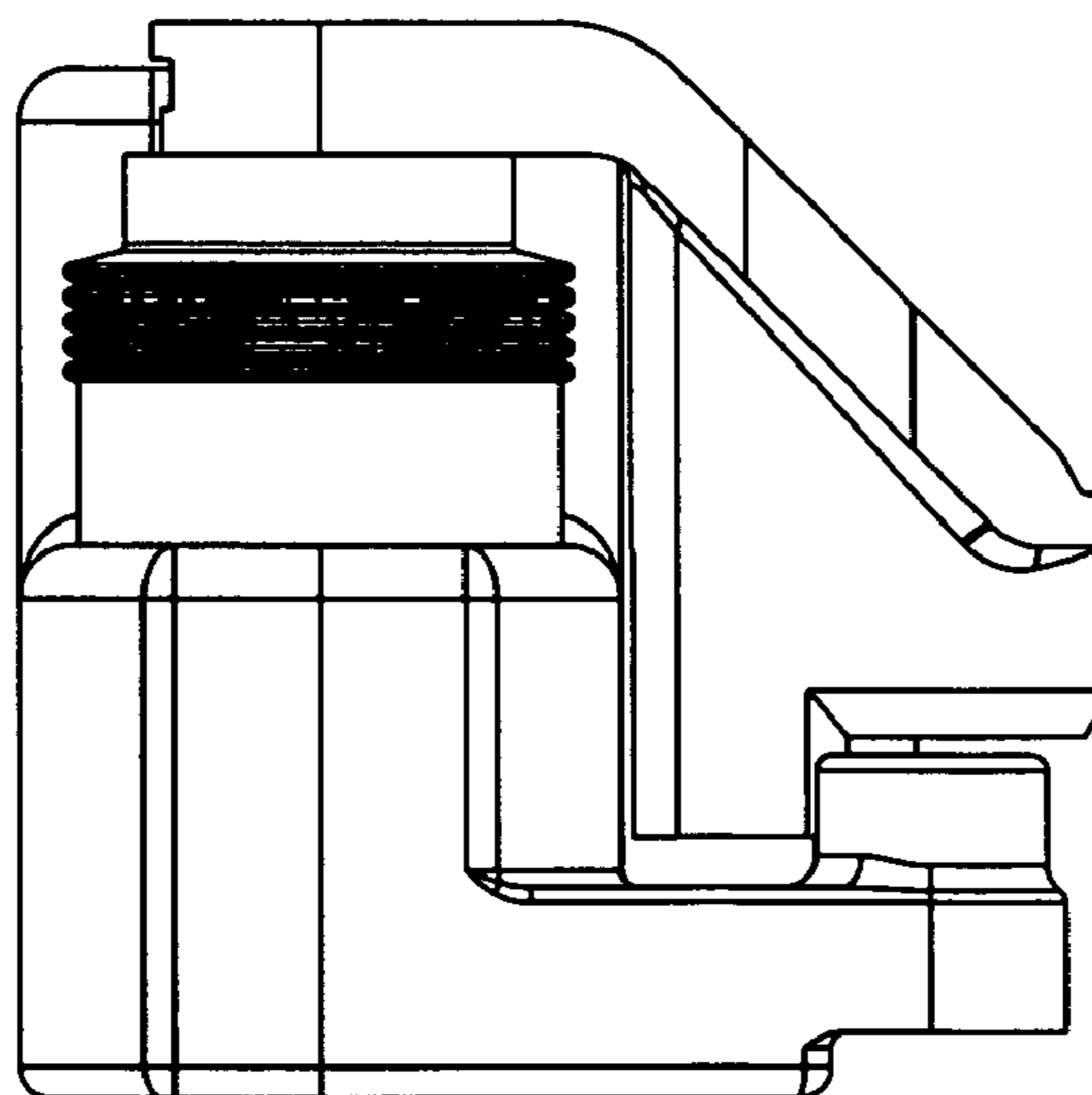


Fig. 5

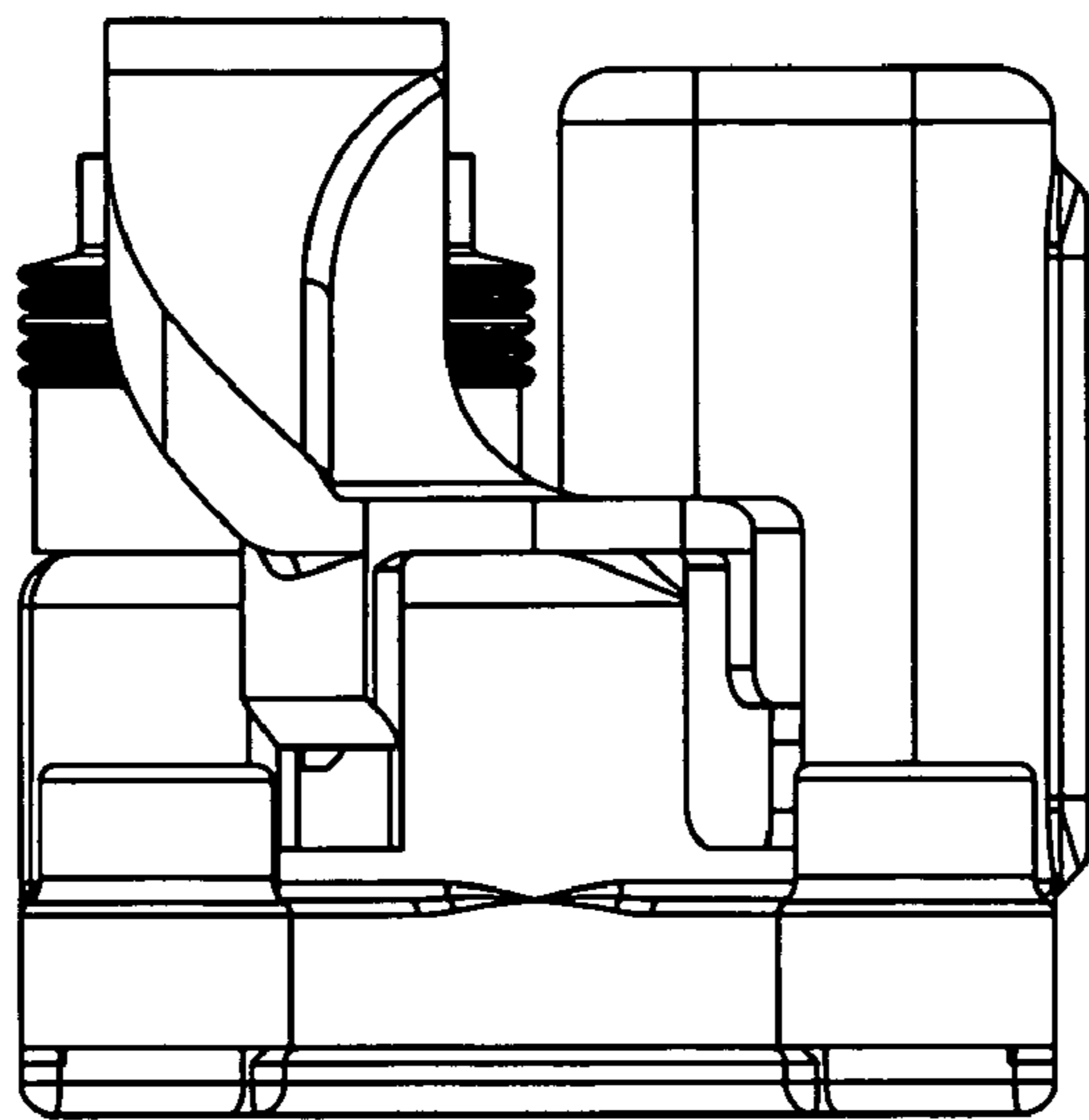


Fig. 6

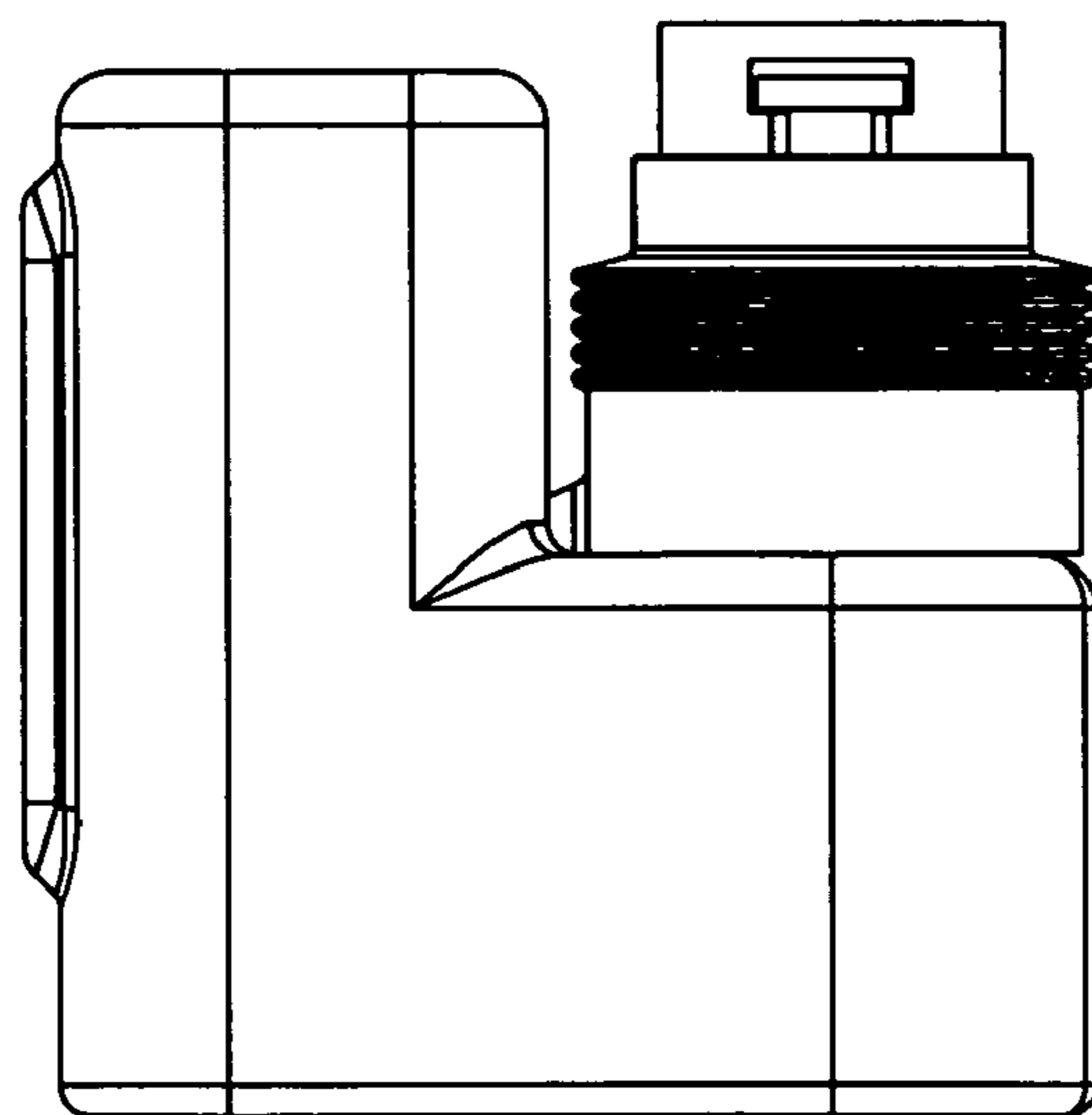


Fig. 7