



US00D678220S

(12) **United States Design Patent**  
**Yoshida**

(10) **Patent No.:** **US D678,220 S**  
(45) **Date of Patent:** **\*\* Mar. 19, 2013**

(54) **SWITCH**

(75) Inventor: **Haruo Yoshida**, Tokyo (JP)

(73) Assignee: **SMK Corporation**, Tokyo (JP)

(\*\*) Term: **14 Years**

(21) Appl. No.: **29/403,105**

(22) Filed: **Sep. 30, 2011**

(30) **Foreign Application Priority Data**

Mar. 30, 2011 (JP) ..... D2011-8771

(51) **LOC (9) Cl.** ..... **13-03**

(52) **U.S. Cl.** ..... **D13/171; D13/158**

(58) **Field of Classification Search** ..... D13/158,  
D13/171; 200/5 A, 6 R, 406, 520, 523, 530,  
200/293, 302.2, 329, 341

See application file for complete search history.

(56) **References Cited**

**U.S. PATENT DOCUMENTS**

D589,904 S \* 4/2009 Yoshida et al. .... D13/158  
D596,585 S \* 7/2009 Yoshida et al. .... D13/158  
D652,391 S \* 1/2012 Yoshida ..... D13/158

D652,804 S \* 1/2012 Yoshida ..... D13/158  
D665,758 S \* 8/2012 Yoshida ..... D13/171  
2008/0128255 A1 \* 6/2008 Villain et al. .... 200/520

\* cited by examiner

*Primary Examiner* — Selina Sikder

(74) *Attorney, Agent, or Firm* — Edwards Wildman Palmer  
LLP; Peter C. Schechter; Adam P. Daniels

(57) **CLAIM**

The ornamental design for a switch, as shown and described.

**DESCRIPTION**

FIG. 1 is a front view of the design for a switch;  
FIG. 2 is a top view thereof;  
FIG. 3 is a right-side view thereof;  
FIG. 4 is a left-side view thereof;  
FIG. 5 is a rear view thereof;  
FIG. 6 is a bottom view thereof;  
FIG. 7 is a front perspective view thereof;  
FIG. 8 is a rear perspective view thereof; and,  
FIG. 9 is a front perspective view thereof in which hatching  
indicates transparent areas.

**1 Claim, 5 Drawing Sheets**

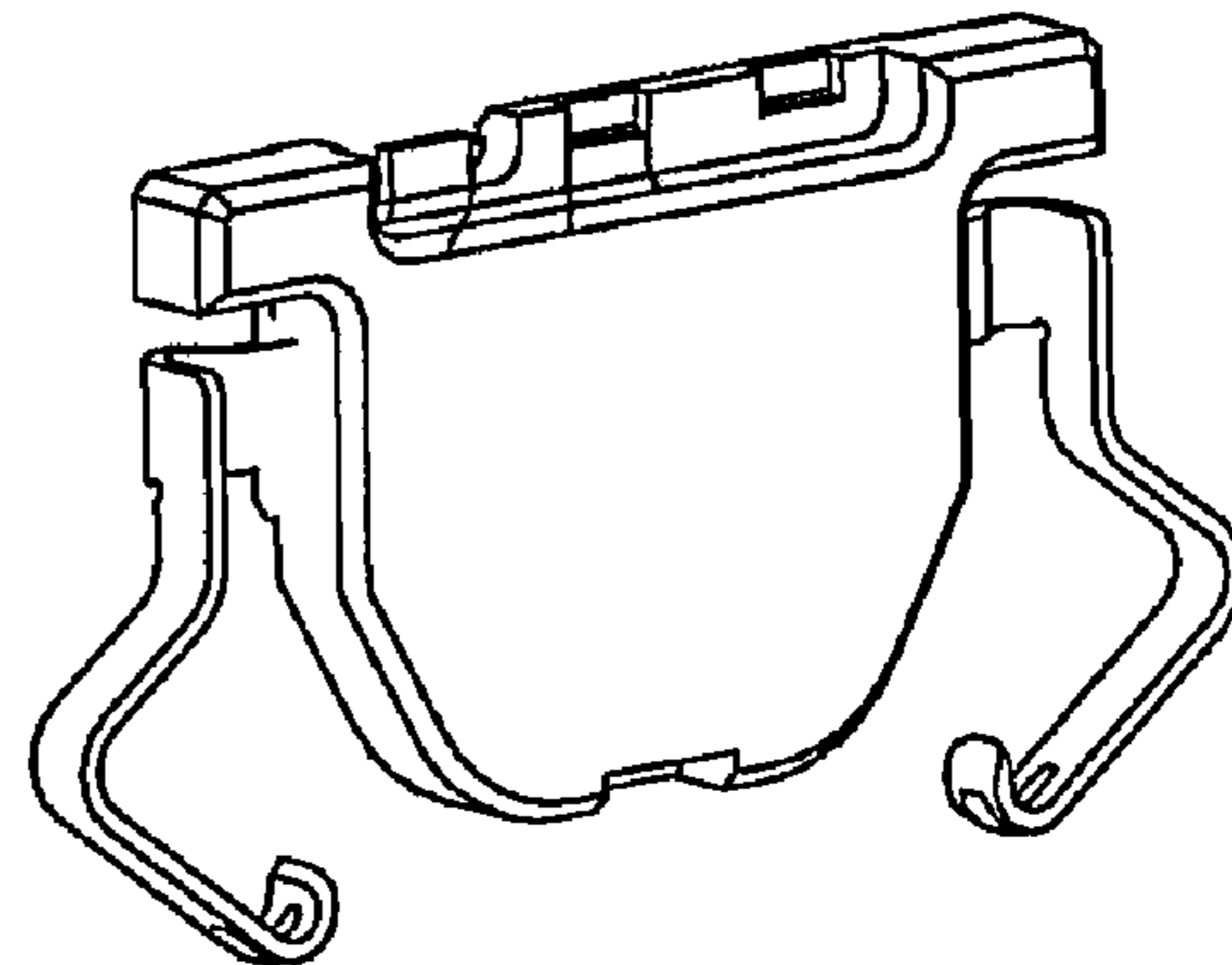
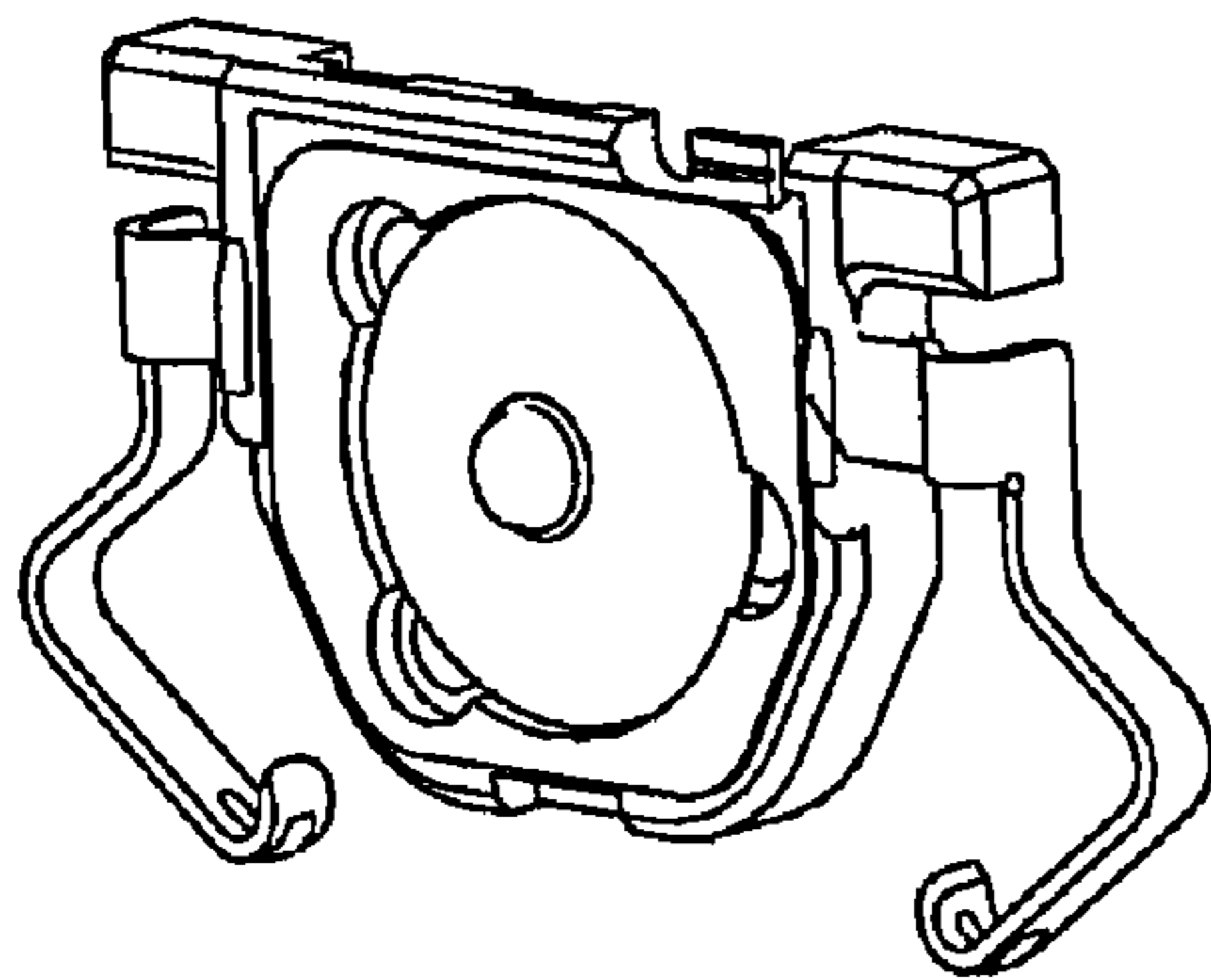


FIG. 1

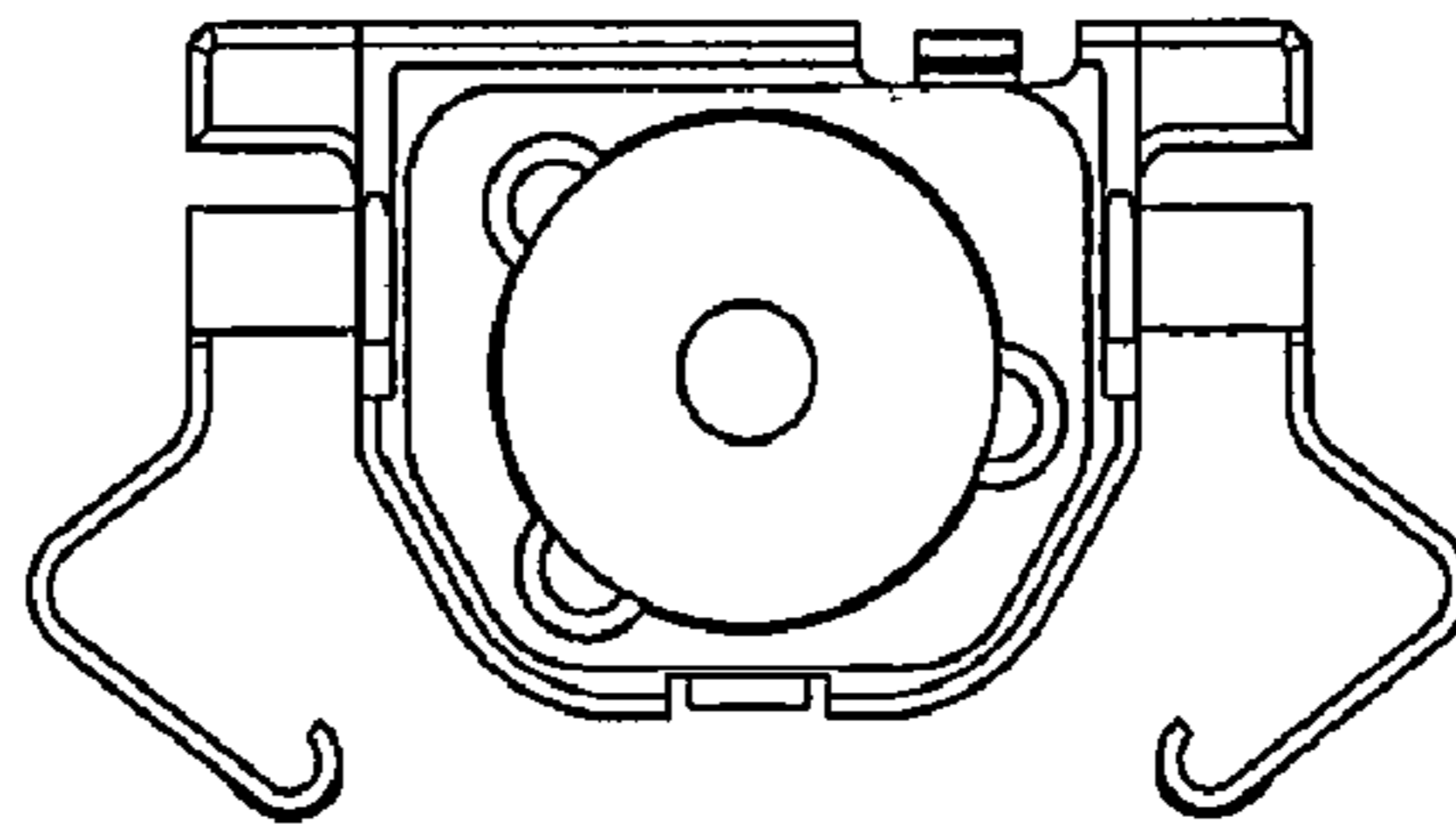


FIG. 2



FIG. 3

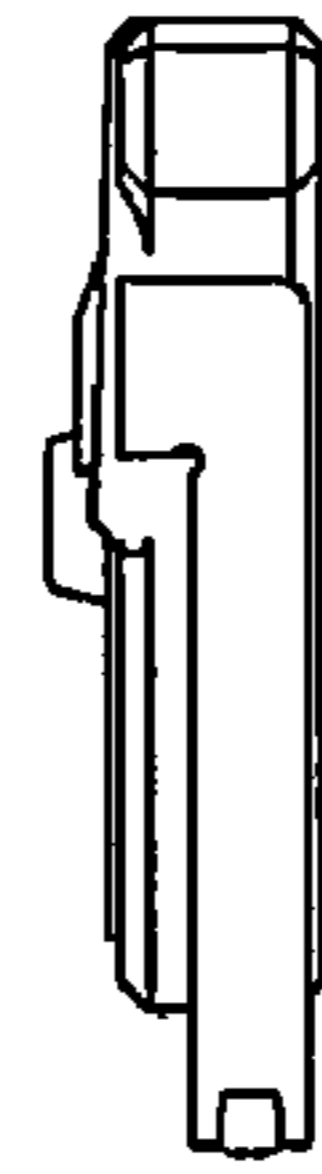


FIG. 4

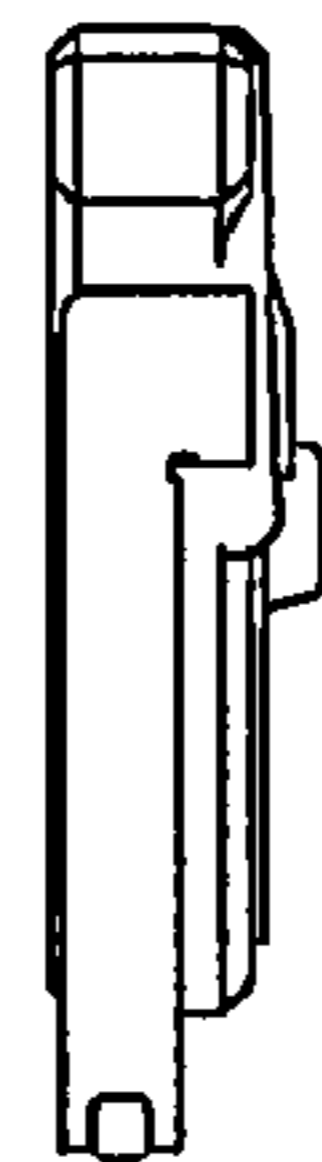


FIG. 5

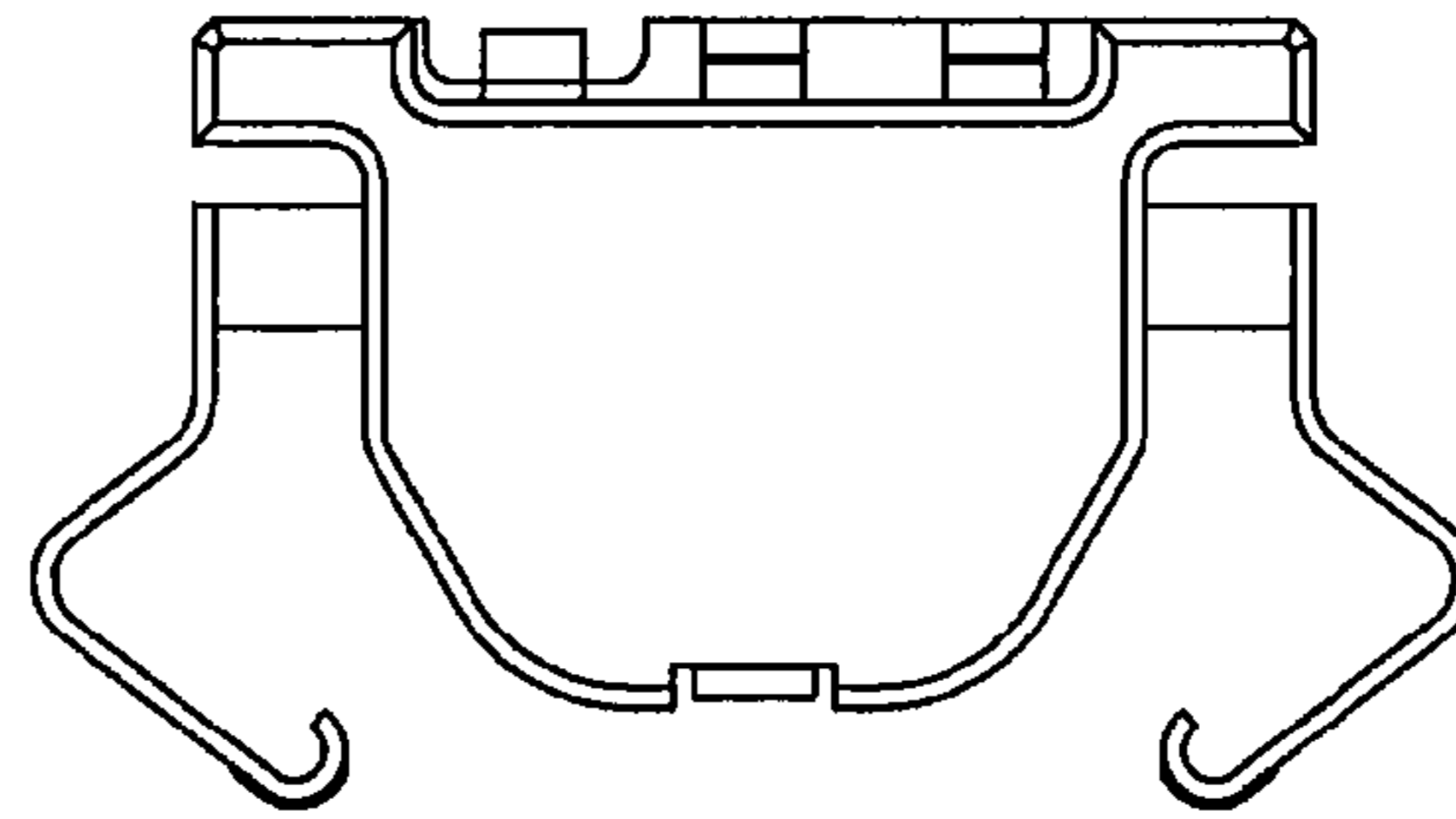


FIG. 6

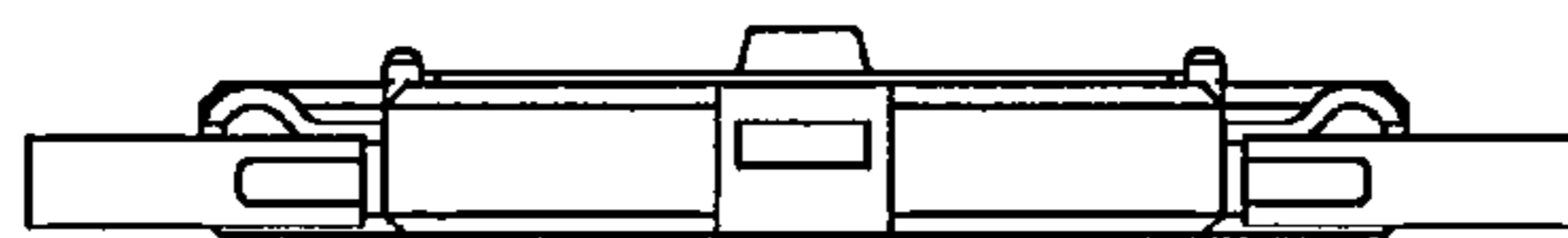


FIG. 7

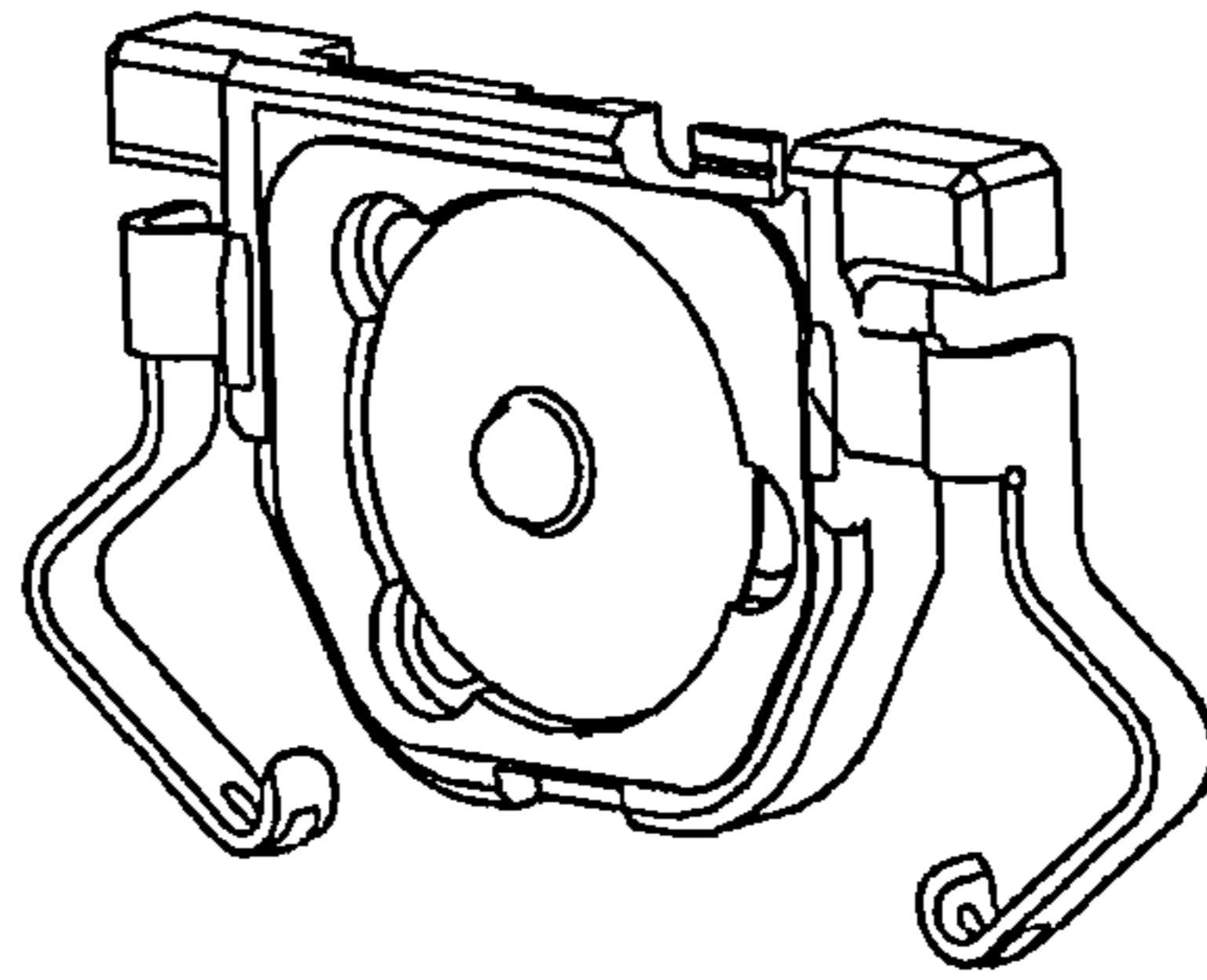


FIG. 8

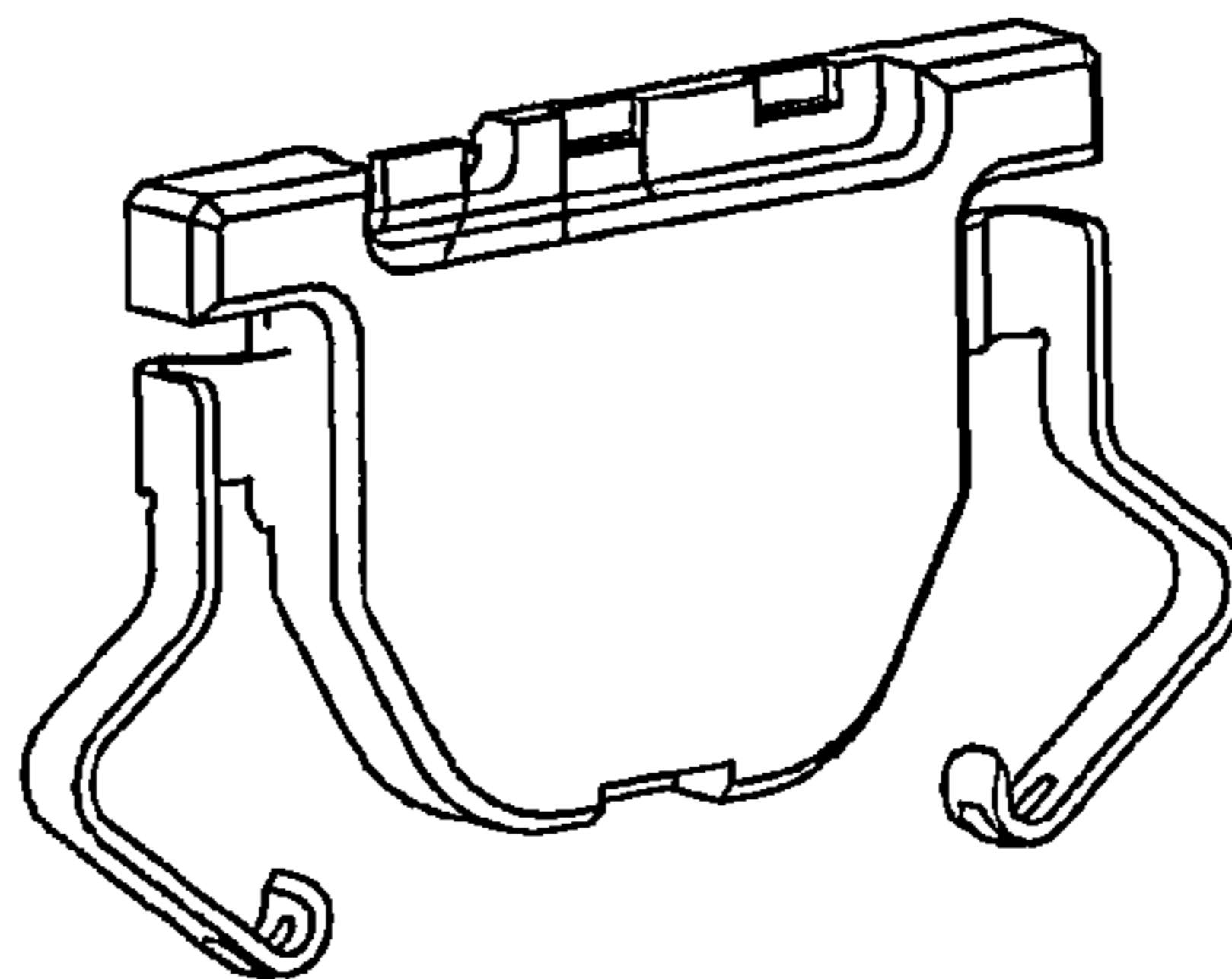


FIG. 9

