



US00D678219S

(12) **United States Design Patent**
Higashijima et al.

(10) **Patent No.:** **US D678,219 S**
(45) **Date of Patent:** **** Mar. 19, 2013**

(54) **REMOTE CONTROL FOR HOME ELECTRONICS**

(75) Inventors: **Hiroaki Higashijima**, Nagoya (JP);
Katsunori Maegawa, Nagoya (JP);
Yoshikazu Kubo, Nagoya (JP); **Atsumi Suzuki**, Nagoya (JP)

(73) Assignee: **Rinnai Kabushiki Kaisha**, Aichi-ken (JP)

(**) Term: **14 Years**

(21) Appl. No.: **29/411,686**

(22) Filed: **Jan. 25, 2012**

(30) **Foreign Application Priority Data**

Aug. 4, 2011 (JP) 2011-017919

(51) **LOC (9) Cl.** **14-03**

(52) **U.S. Cl.** **D13/168**

(58) **Field of Classification Search** D13/168;
D10/104.1, 106.1; D14/218; 341/176; 455/352;
340/4.3, 4.42, 12.22, 12.23, 12.24, 12.29,
340/12.3, 13.2, 13.21, 13.24; 700/17, 65,
700/83

See application file for complete search history.

(56) **References Cited**

U.S. PATENT DOCUMENTS

D381,960	S	*	8/1997	Chandler	D13/164
D400,539	S	*	11/1998	Hippen	D14/218
D409,200	S	*	5/1999	Cooper	D14/218
D431,199	S	*	9/2000	Bennett et al.	D10/50
7,047,092	B2	*	5/2006	Wimsatt	700/83
D537,417	S	*	2/2007	Dukerschein et al.	D13/164
D559,710	S	*	1/2008	Jacoby et al.	D10/49
D623,606	S	*	9/2010	Nakai et al.	D13/168
D642,992	S	*	8/2011	Sasaki et al.	D13/164
D661,662	S	*	6/2012	Kikuchi et al.	D13/168

* cited by examiner

Primary Examiner — Selina Sikder

(74) *Attorney, Agent, or Firm* — Fish & Richardson P.C.

(57) **CLAIM**

The ornamental design for a remote control for home electronics, as shown and described.

DESCRIPTION

FIG. 1 is a front, top, and right side perspective view of a remote control for home electronics showing our new design; FIG. 2 is a front view thereof; FIG. 3 is a rear view thereof; FIG. 4 is a top plan view thereof, the bottom plan view being a mirror image of FIG. 4; and, FIG. 5 is a right side view thereof, the left side view being a mirror image of FIG. 5.

The features shown in broken lines in the drawings depict environmental subject matter only and form no part of the claimed design.

1 Claim, 4 Drawing Sheets

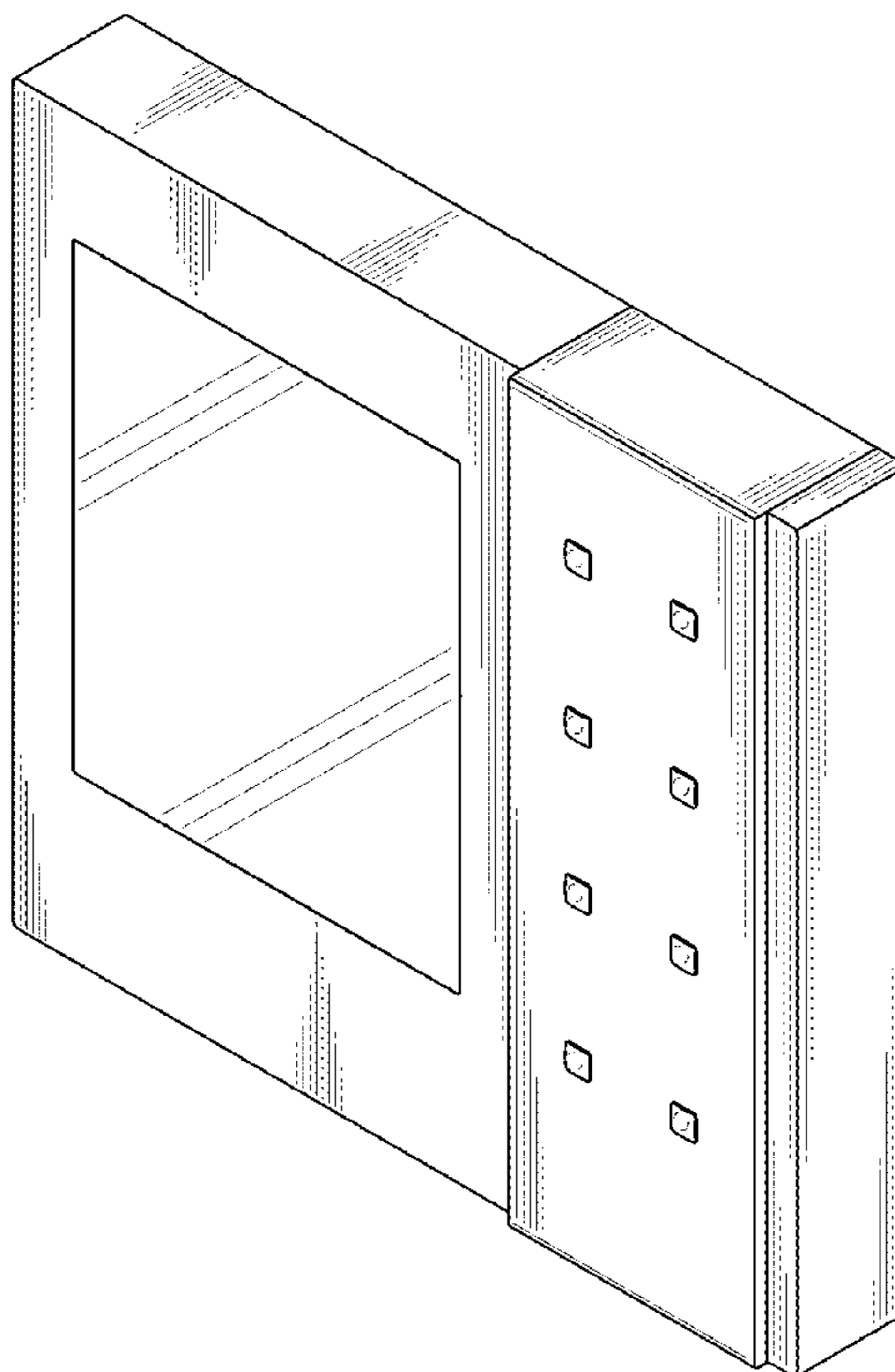


FIG. 1

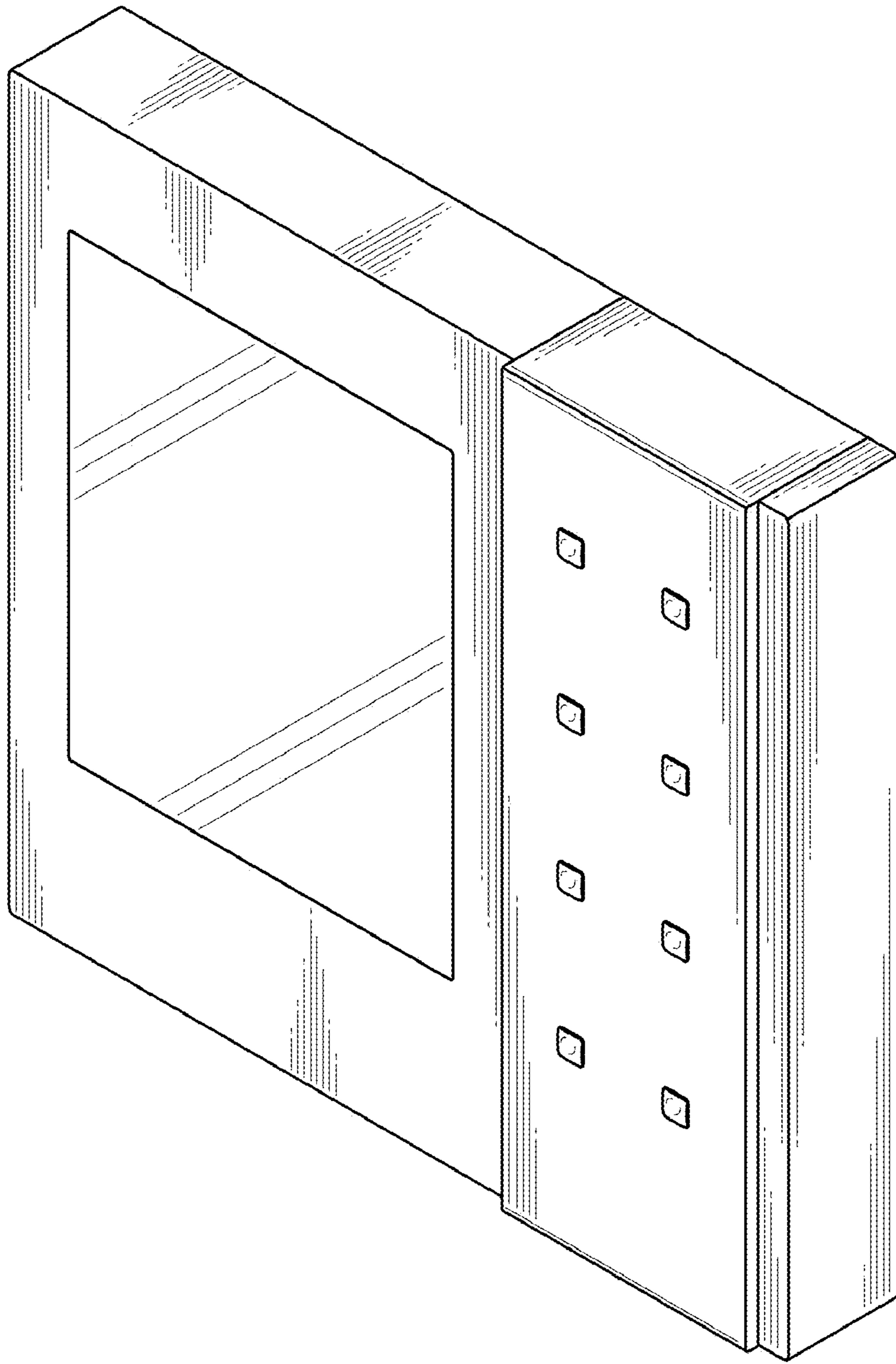


FIG. 2

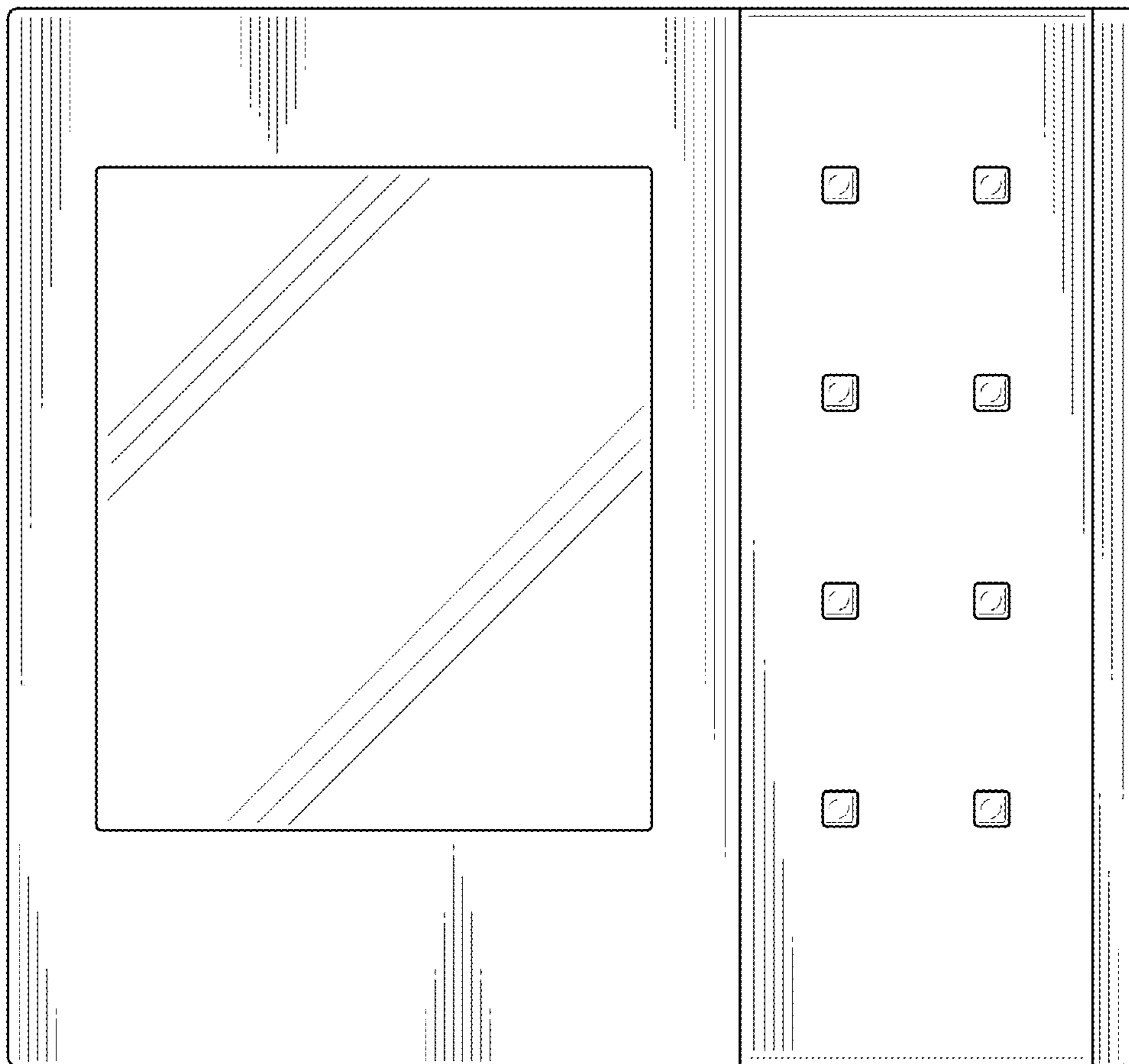


FIG. 3

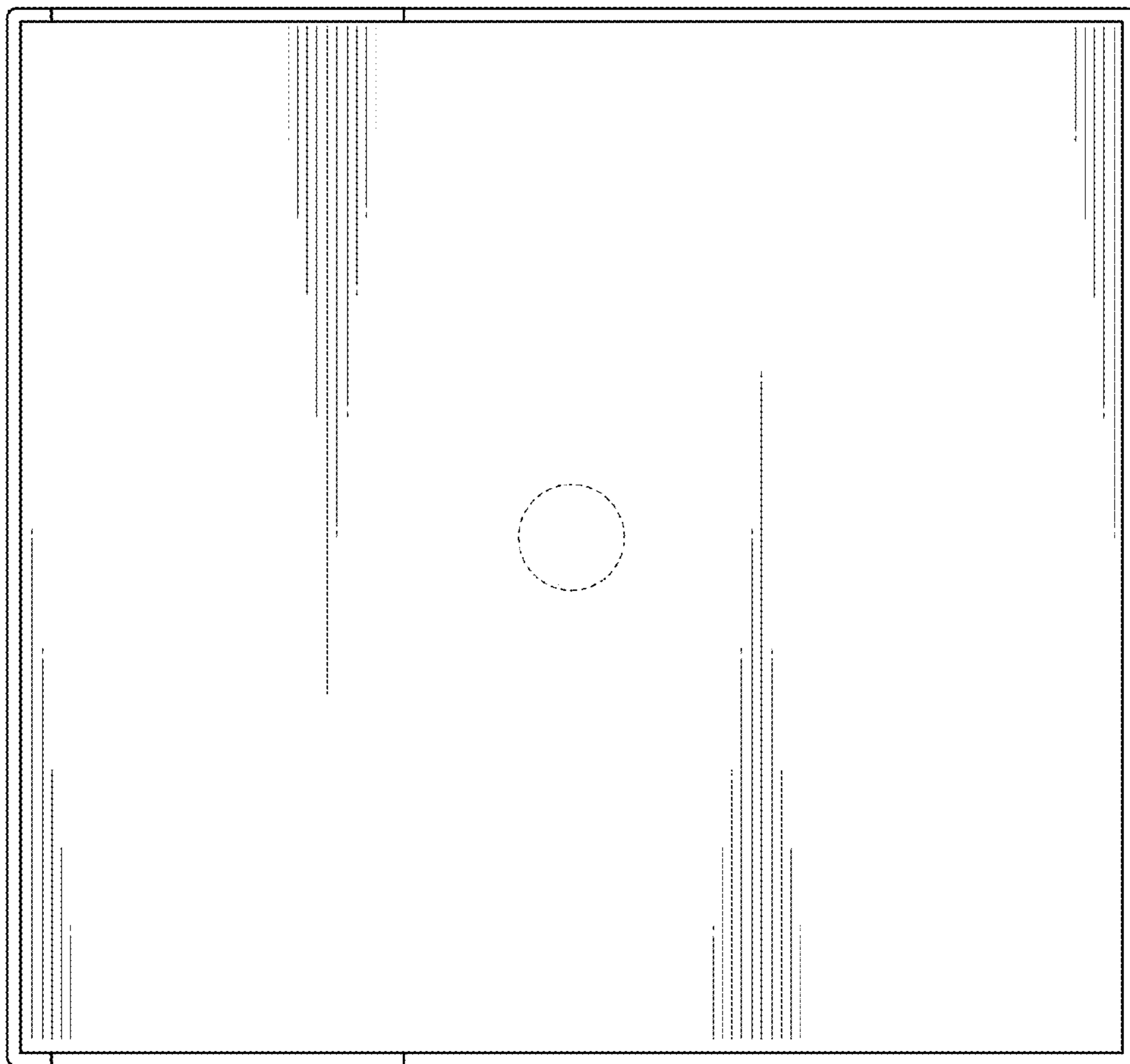


FIG. 4

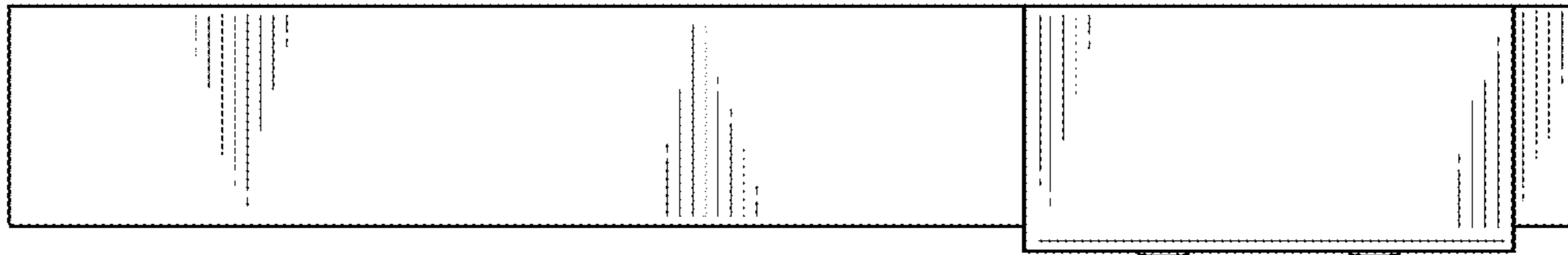
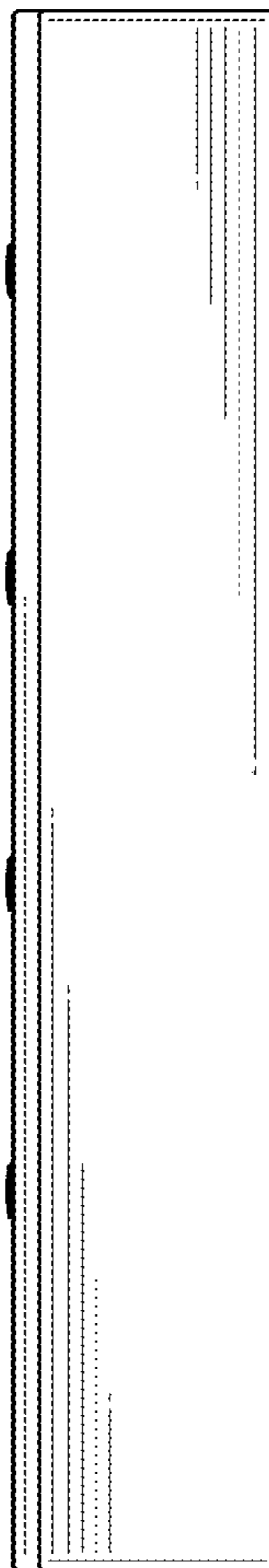


FIG. 5



UNITED STATES PATENT AND TRADEMARK OFFICE
CERTIFICATE OF CORRECTION

PATENT NO. : D678,219 S
APPLICATION NO. : 29/411686
DATED : March 19, 2013
INVENTOR(S) : Hiroaki Higashijima

Page 1 of 1

It is certified that error appears in the above-identified patent and that said Letters Patent is hereby corrected as shown below:

Title Page, Col. 1, item (73), please correct the Assignee's name to read:

-- RINNAI CORPORATION --

Signed and Sealed this
Sixteenth Day of July, 2013



Teresa Stanek Rea
Acting Director of the United States Patent and Trademark Office