



US00D678217S

(12) **United States Design Patent**
Helm

(10) **Patent No.:** **US D678,217 S**
(45) **Date of Patent:** **** Mar. 19, 2013**

(54) **SWITCH**

(75) Inventor: **Thorsten Helm**, Sassenberg (DE)

(73) Assignee: **DewertOkin GmbH**, Kirchleugern (DE)

(**) Term: **14 Years**

(21) Appl. No.: **29/407,168**

(22) Filed: **Nov. 23, 2011**

(30) **Foreign Application Priority Data**

May 24, 2011 (EM) 001868019-0002

(51) **LOC (9) Cl.** **13-03**

(52) **U.S. Cl.** **D13/162; D13/171**

(58) **Field of Classification Search** D13/162,
D13/164, 168, 171; D23/354; 307/139;
361/679.01, 679.11, 679.22; 200/5 R, 5 A,
200/61.7, 520, 530, 293, 296, 329, 331

See application file for complete search history.

(56) **References Cited**

U.S. PATENT DOCUMENTS

4,343,973	A *	8/1982	Main	200/516
D319,628	S *	9/1991	Whitley, II	D13/171
D402,966	S *	12/1998	Lim	D13/168
6,037,723	A *	3/2000	Shafer et al.	318/6
D460,950	S *	7/2002	Miller et al.	D13/168
D481,687	S *	11/2003	Moriya et al.	D13/171
D502,474	S *	3/2005	Raarup	D15/143
D524,254	S *	7/2006	van Himbeeck	D13/168
D551,175	S *	9/2007	Olson	D13/162
D582,395	S *	12/2008	Ikeda et al.	D14/218
7,538,284	B2 *	5/2009	Nielsen et al.	200/296
D599,745	S *	9/2009	Yang	D13/164
D603,350	S *	11/2009	Melzner et al.	D13/164
D617,744	S *	6/2010	Landerholm et al.	D13/168
8,058,572	B2 *	11/2011	Bastholm et al.	200/5 A

OTHER PUBLICATIONS

LogicData, "HSX-OD-2-LD", <http://www.logicdata.at/HSX-OD-2-LD.23.0.html>, printed Feb. 3, 2012.

LogicData, "HSM-OD-2-LD", <http://www.logicdata.at/HSM-OD-2-LD.25.0.html>, printed Feb. 3, 2012.

LogicData, "HSU-OD-2-LD", <http://www.logicdata.at/HSU-OD-2-LD.28.0.html>, printed Feb. 3, 2012.

LogicData, "IRR-DSK-SET-LIGHT", <http://www.logicdata.at/IRR-DSK-SET-LIGHT.30.0.html>, printed Feb. 3, 2012.

LogicData, "Datasheet Handset for a Height-Adjustable Desk HSX-OD-2-LD Rev 3", 2011, pp. 1-4.

LogicData, "Datasheet Cable Handswitch for installation below the desktop HSM Rev 4", 2012, pp. 1-5.

LogicData, "Datasheet Infrared remote control set IRR-DSK-SET-LIGHT Rev 2", 2011, pp. 1-5.

(Continued)

Primary Examiner — Selina Sikder

(74) *Attorney, Agent, or Firm* — Cahn & Samuels, LLP

(57) **CLAIM**

The ornamental design for a switch, as shown and described.

DESCRIPTION

FIG. 1 illustrates a front view of a switch according to the invention.

FIG. 2 illustrates a rear view of the switch illustrated in FIG. 1.

FIG. 3 illustrates a left side view of the switch illustrated in FIG. 1.

FIG. 4 illustrates a right side view of the switch illustrated in FIG. 1.

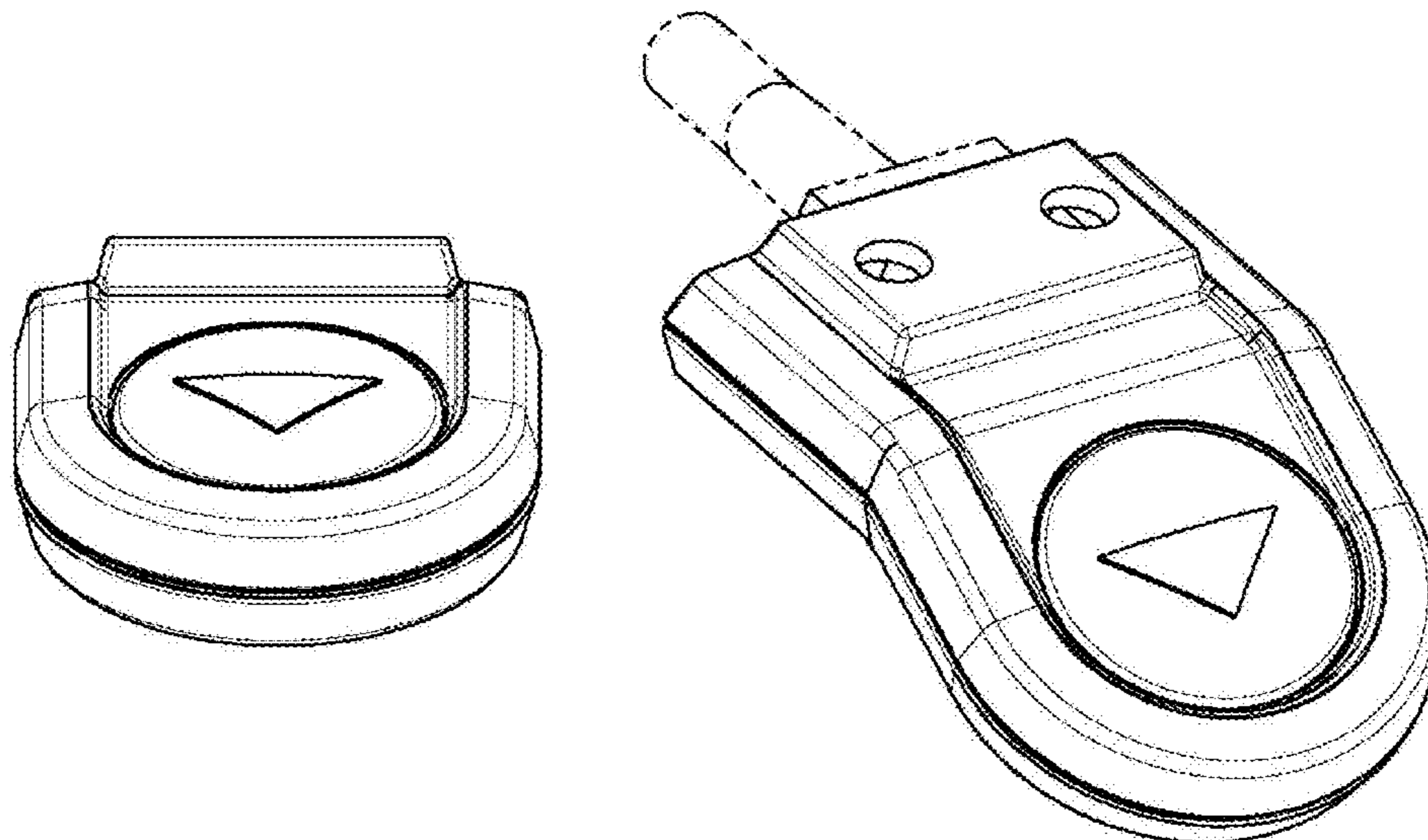
FIG. 5 illustrates a top view of the switch illustrated in FIG. 1.

FIG. 6 illustrates a bottom view of the switch illustrated in FIG. 1; and,

FIG. 7 illustrates a perspective view of the switch illustrated in FIG. 1.

The broken line cable in the figures is environmental structure and is not part of the design sought to be claimed.

1 Claim, 3 Drawing Sheets



OTHER PUBLICATIONS

LogicData, "User Manual Infrared remote control set IRR-DSK-SET-LIGHT Rev 2", 2011, pp. 1-12.

Linak, "Desk Panel DP", <http://www.linak.com/products/Controls.aspx?product=DP>, printed Feb. 3, 2012.

Linak, "Desk Panel DPA", <http://www.linak.com/products/Controls.aspx?product=DPA>, printed Feb. 3, 2012.

Linak, "Desk Panel DPB", <http://www.linak.com/products/Controls.aspx?product=DPB>, printed Feb. 3, 2012.

Linak, "Desk Panel DPF", <http://www.linak.com/products/Controls.aspx?product=DPF>, printed Feb. 3, 2012.

Linak, "Product Data Sheet Desk Panel DPA", Jul. 2011, pp. 1-3.

Linak, "Product Data Sheet Desk Panel DPF", Nov. 2009, pp. 1-4.

Linak, "Product Data Sheet DPB Desk Panel", Jul. 2011, pp. 1-3.

Linak, "Product Data Sheet DP Desk Panel", Jul. 2011, pp. 1-3.

* cited by examiner

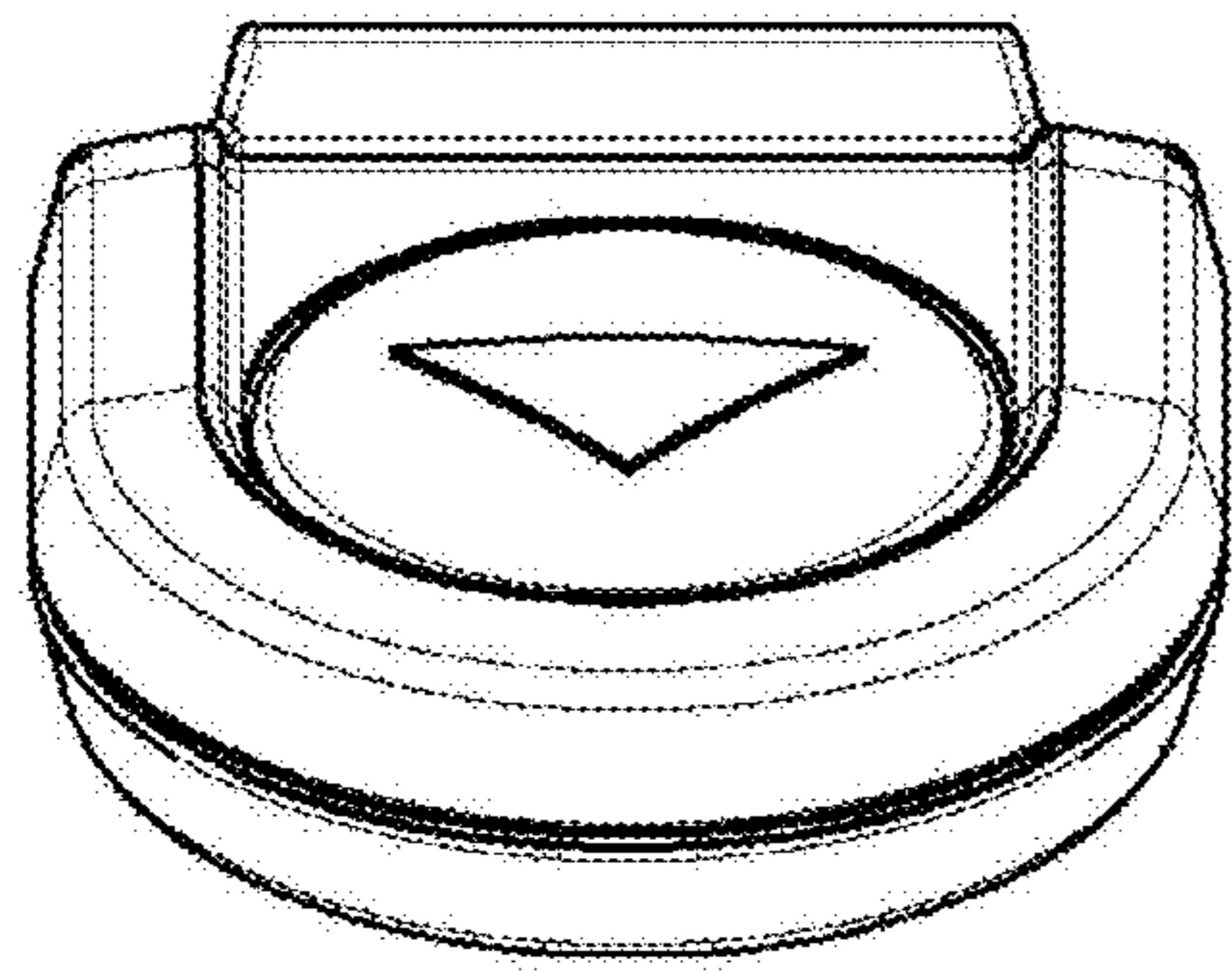


FIG. 1

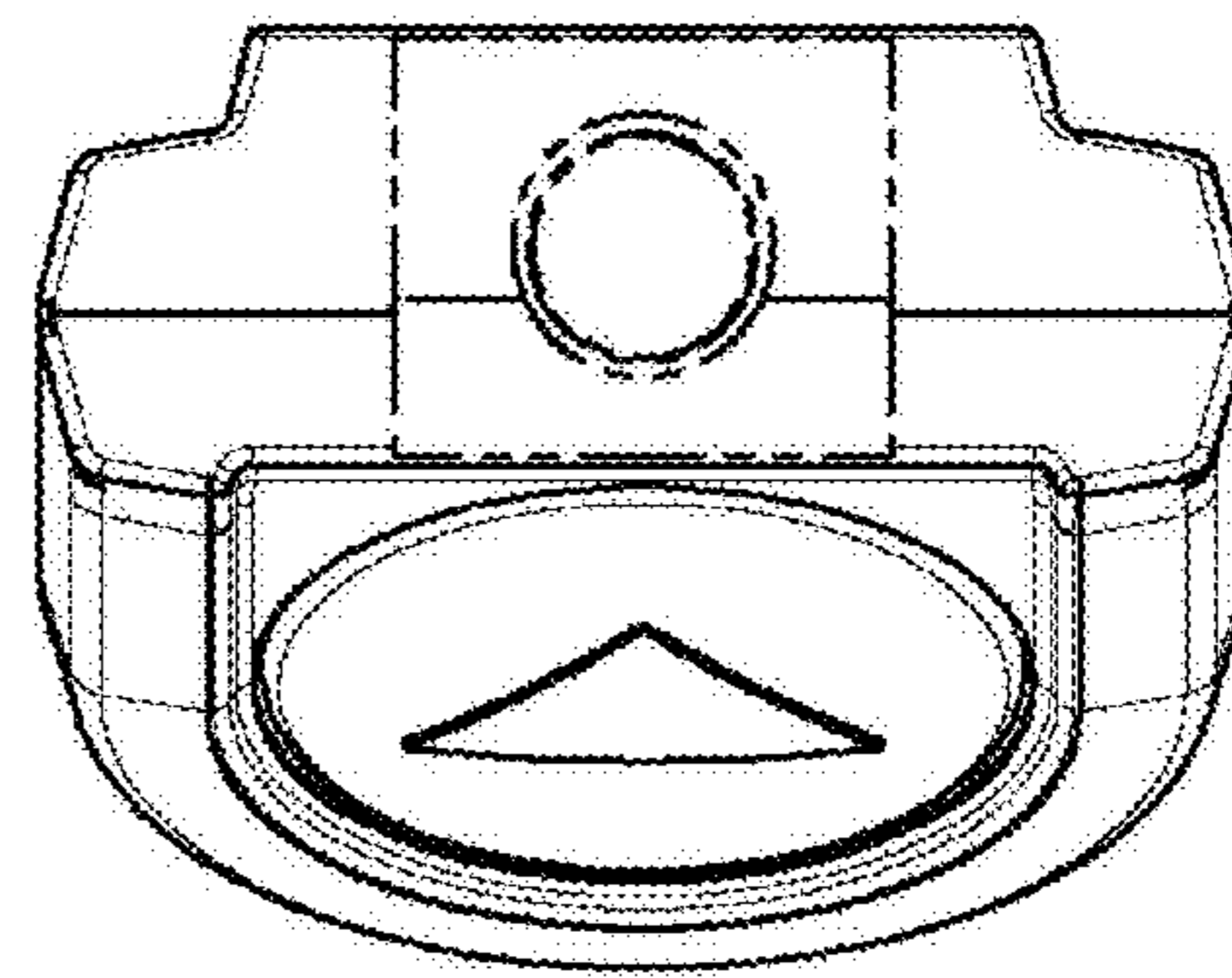


FIG. 2

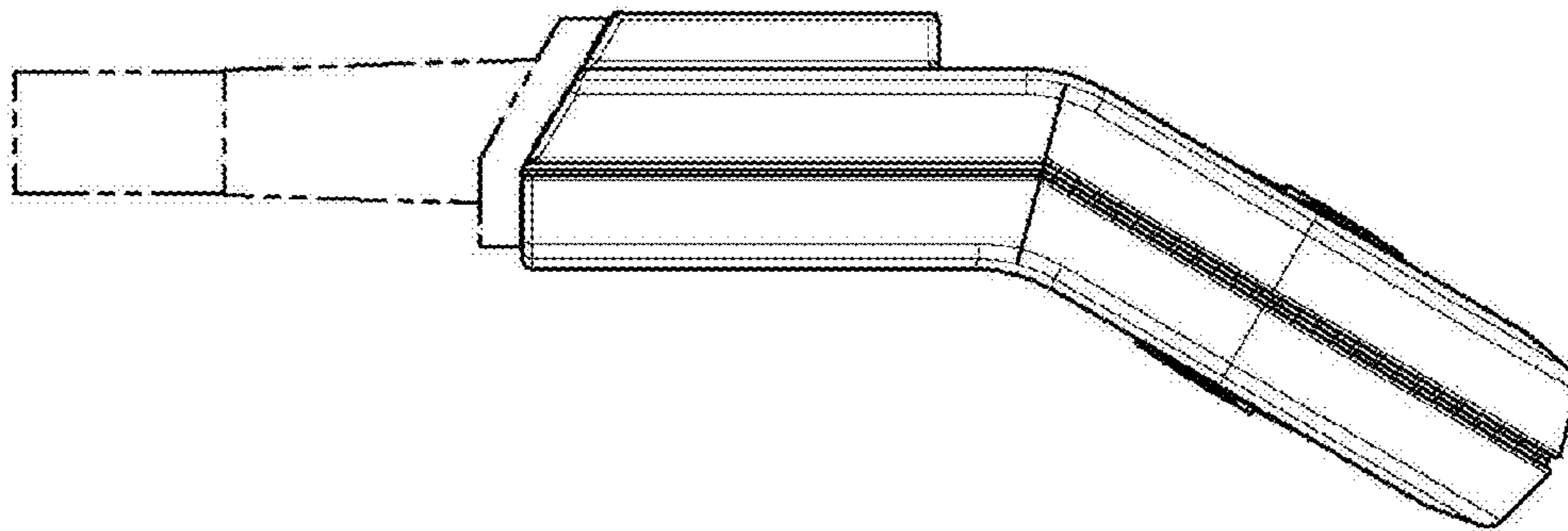


FIG. 3

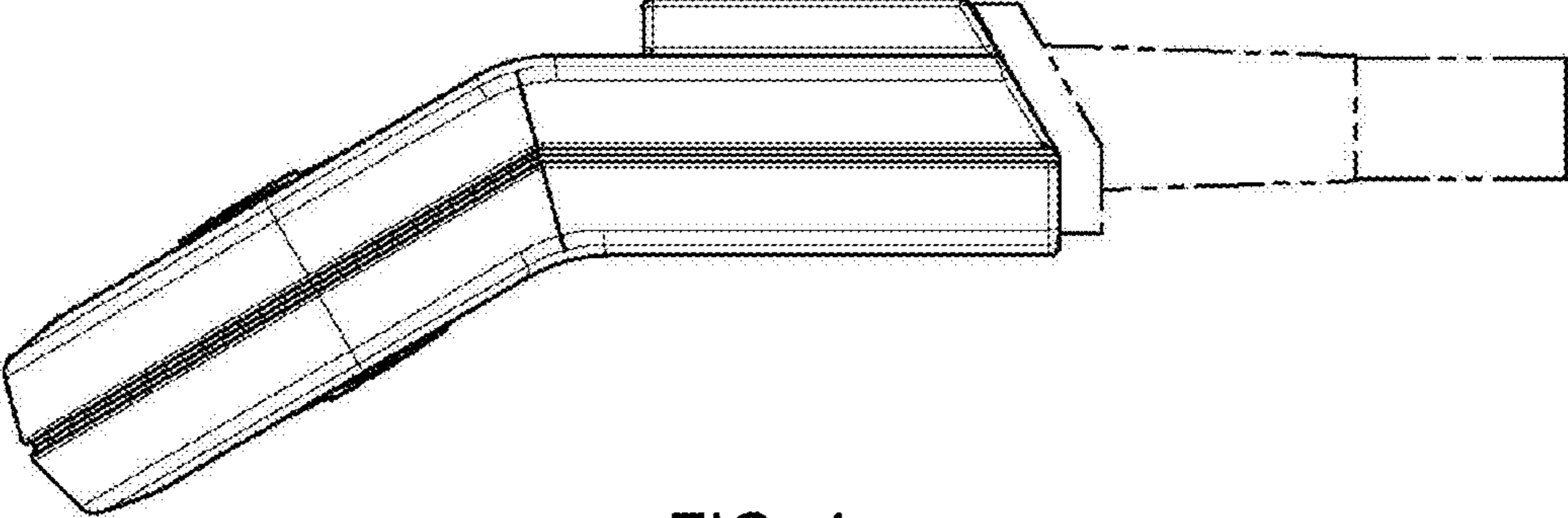


FIG. 4

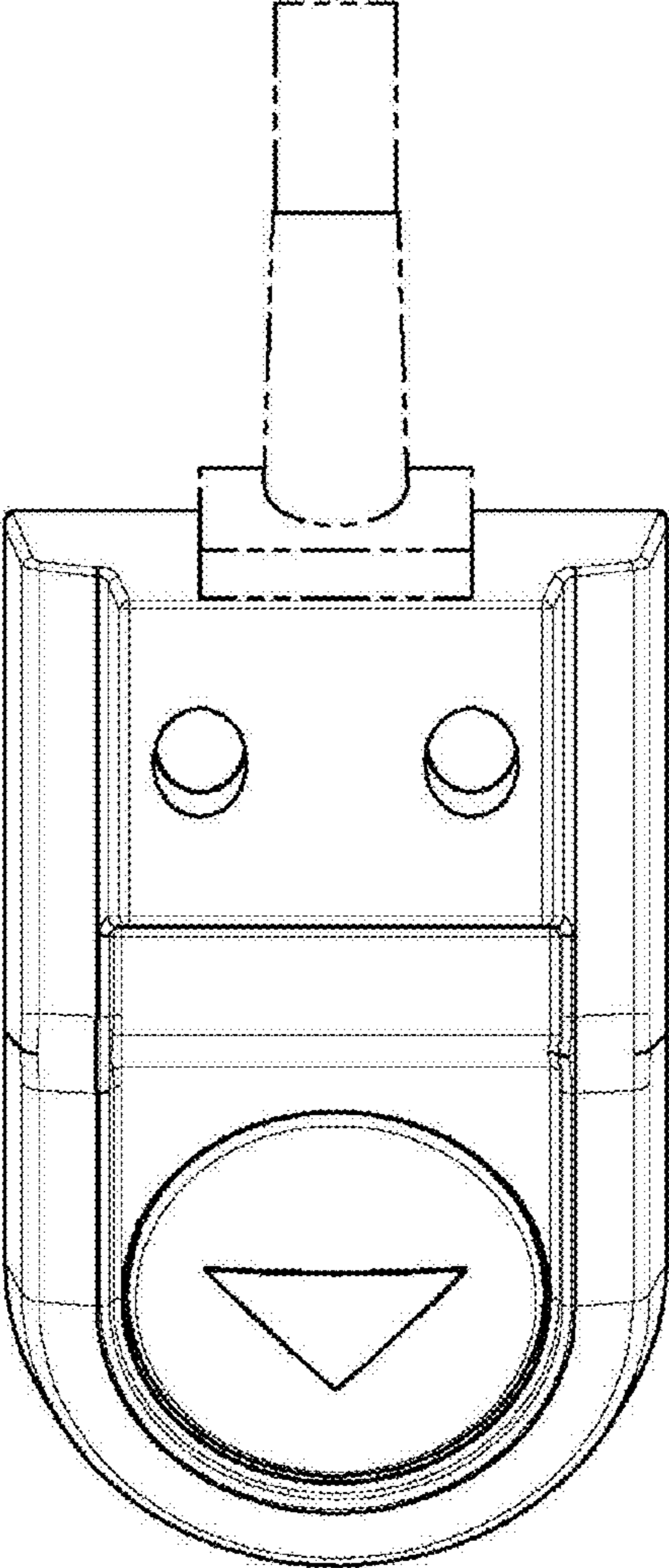


FIG. 5

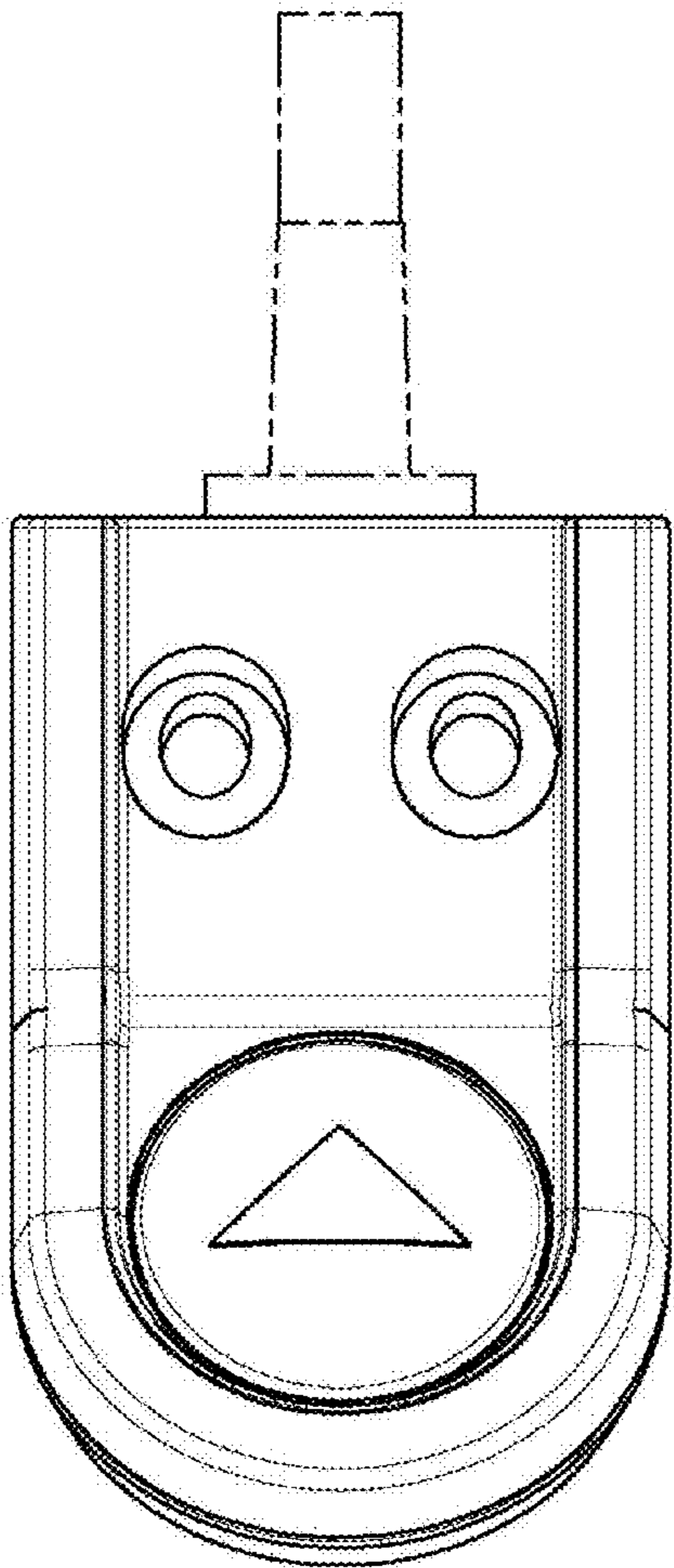


FIG. 6

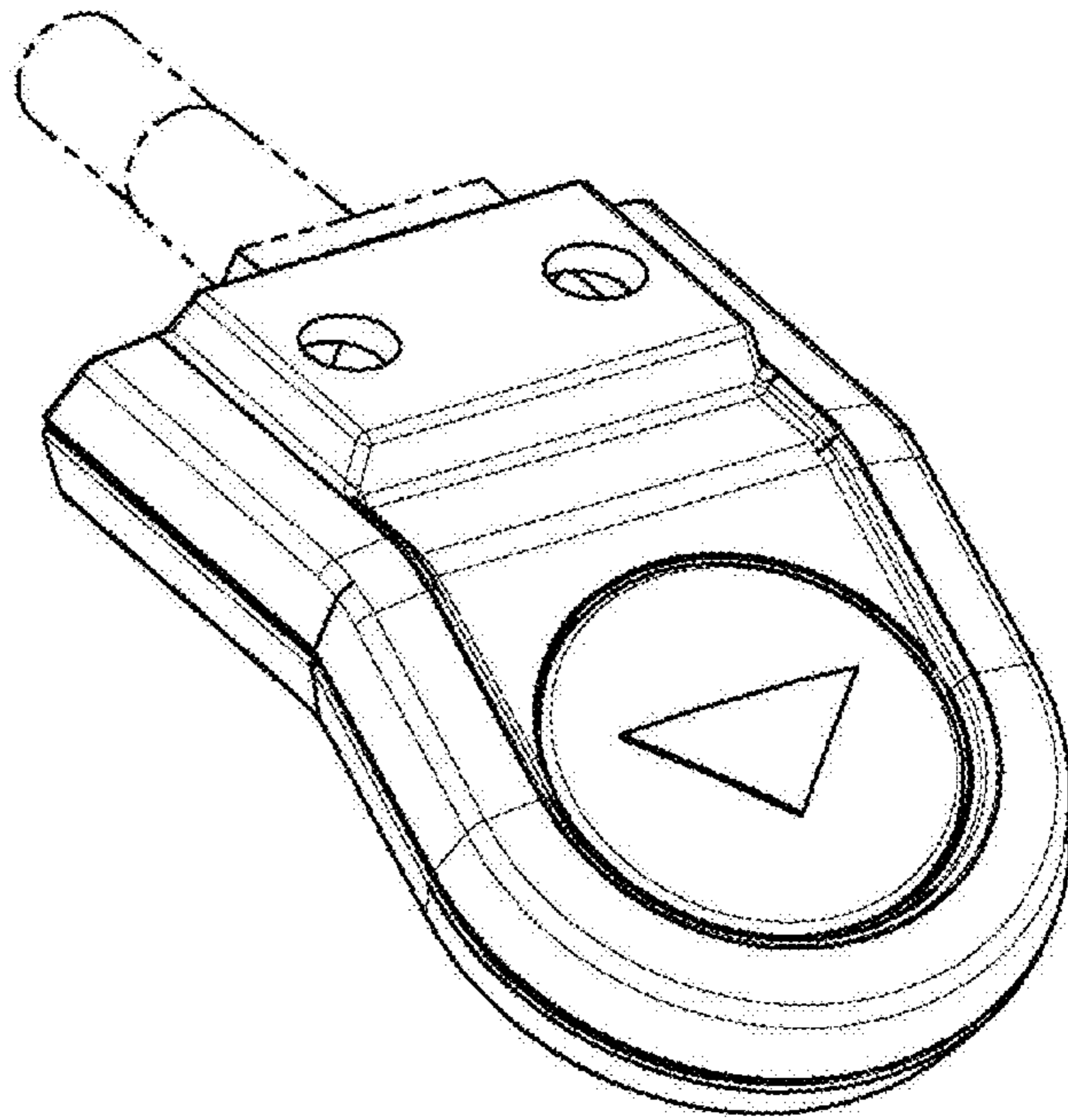


FIG. 7