



US00D678216S

(12) **United States Design Patent**
Noisette et al.

(10) **Patent No.:** **US D678,216 S**
(45) **Date of Patent:** **** Mar. 19, 2013**

(54) **CIRCUIT BREAKER**

(75) Inventors: **Philippe Noisette**, Sergy (FR); **Philippe Haerberlin**, Troinex-GE (CH); **Yoann Alphand**, Fegersheim (FR)

(73) Assignee: **ABB Technology AG**, Zurich (CH)

(**) Term: **14 Years**

(21) Appl. No.: **29/411,847**

(22) Filed: **Jan. 26, 2012**

(30) **Foreign Application Priority Data**

Aug. 9, 2011 (WO) DM076 556

(51) **LOC (9) Cl.** **13-03**

(52) **U.S. Cl.** **D13/160**

(58) **Field of Classification Search** D13/158,
D13/159, 160, 161, 162, 184, 199; 200/43.14,
200/50.01, 50.21-50.23, 51 R, 293, 400,
200/401; 361/42, 44, 45, 50, 71, 115, 608,
361/634

See application file for complete search history.

(56) **References Cited**

U.S. PATENT DOCUMENTS

D314,557 S * 2/1991 Fesmire et al. D13/160
D370,662 S * 6/1996 Alfaro D13/160
D394,642 S * 5/1998 Bender D13/162
D651,982 S * 1/2012 Karandikar et al. D13/158

D659,105 S * 5/2012 Azzola et al. D13/160

* cited by examiner

Primary Examiner — Thomas Johannes

(74) *Attorney, Agent, or Firm* — McCracken & Frank LLC

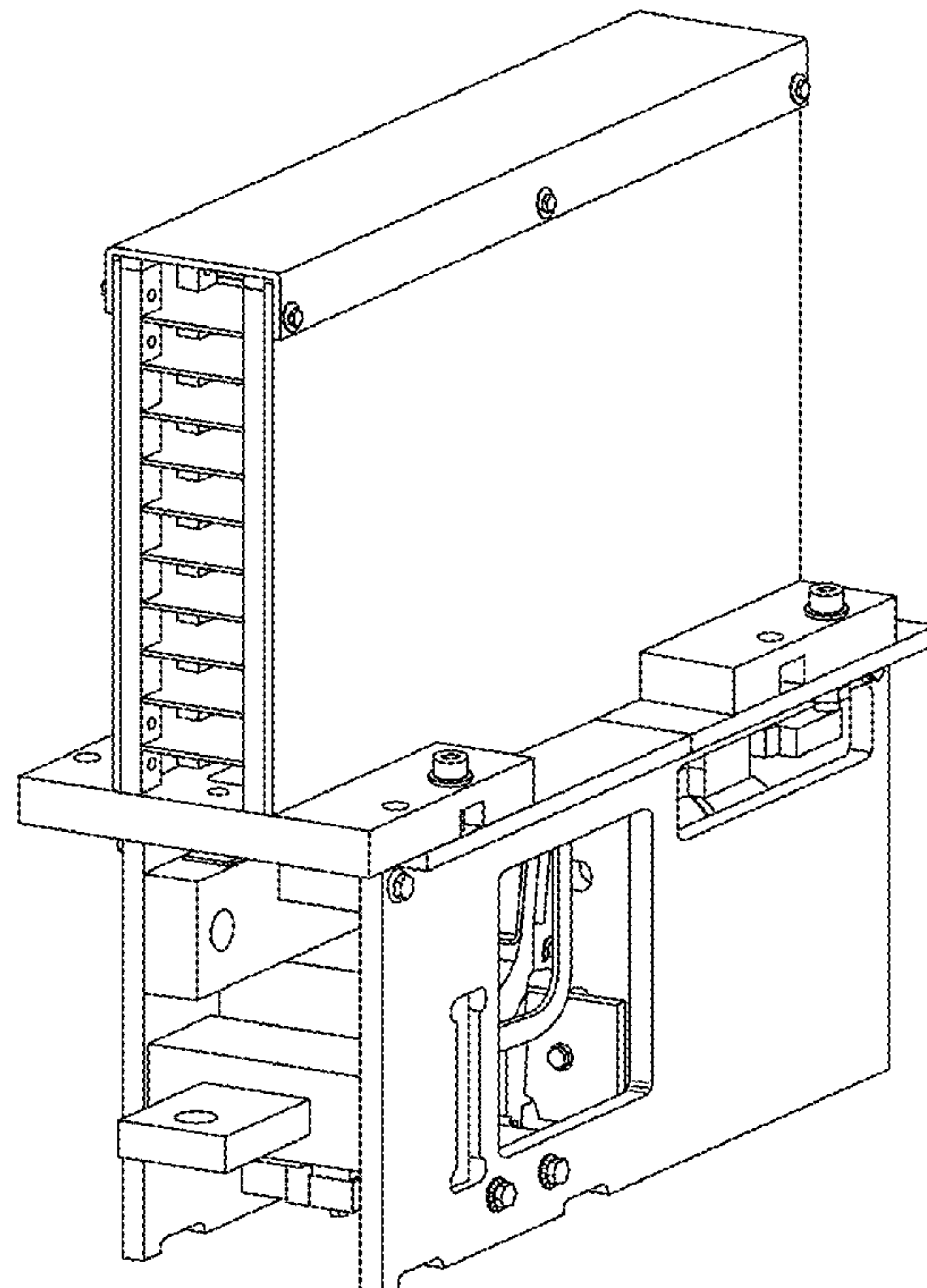
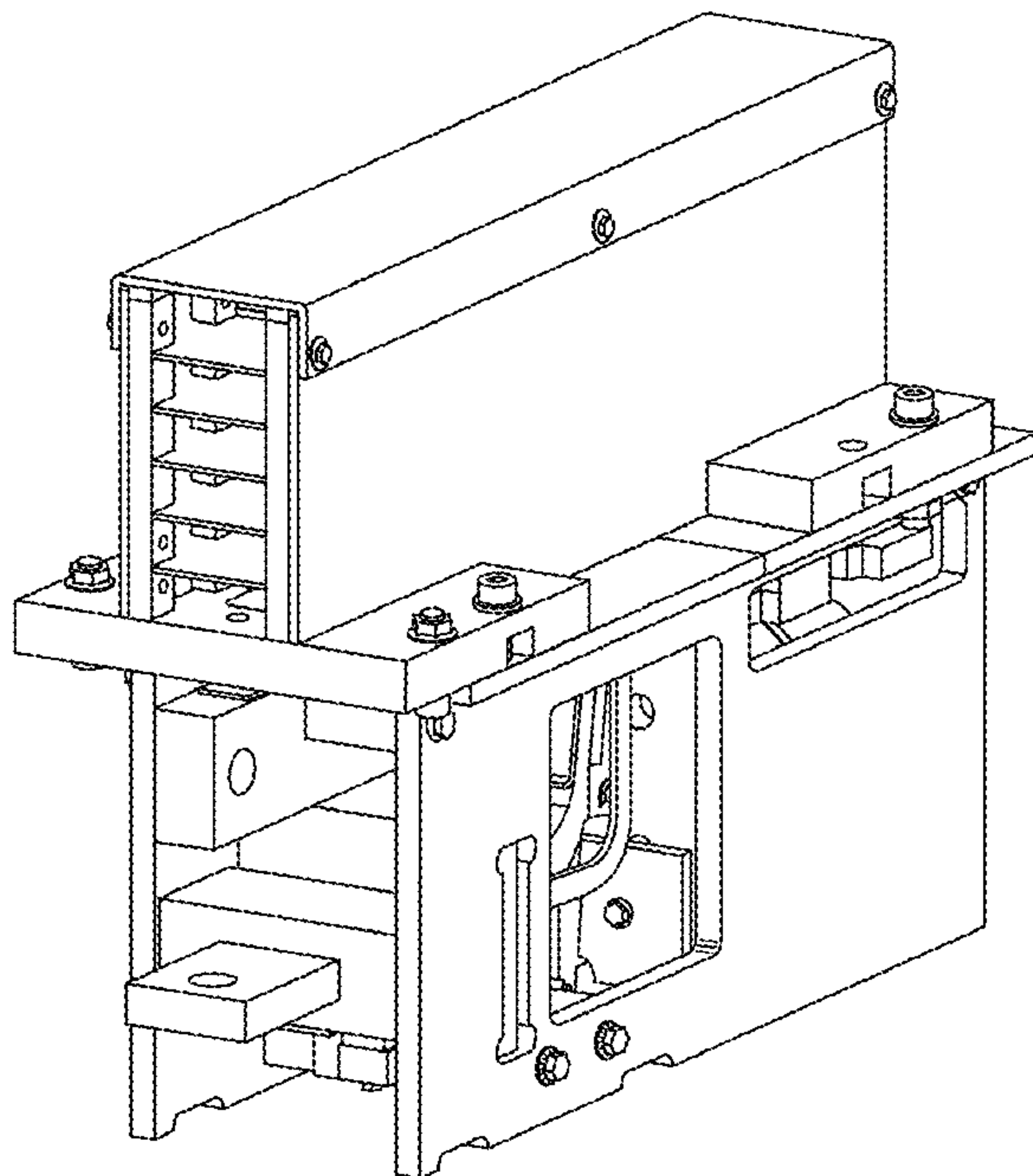
(57) **CLAIM**

The ornamental design for a circuit breaker, as shown and described.

DESCRIPTION

FIG. 1 is a perspective view of a front, left side, and top of a first embodiment of a circuit breaker showing our new design; FIG. 2 is a front elevational view thereof; FIG. 3 is a rear elevational view thereof; FIG. 4 is a left side elevational view thereof; FIG. 5 is a right side elevational view thereof; FIG. 6 is a top plan view thereof; FIG. 7 is a bottom plan view thereof; FIG. 8 is a perspective front, right side, and top view thereof; FIG. 9 is a perspective view of a front, left side, and top of a second embodiment of a circuit breaker showing our new design; FIG. 10 is a front elevational view thereof; FIG. 11 is a rear elevational view thereof; FIG. 12 is a left side elevational view thereof; FIG. 13 is a right side elevational view thereof; FIG. 14 is a top plan view thereof; FIG. 15 is a bottom plan view thereof; and, FIG. 16 is a perspective front, right side, and top view thereof. The broken line portion of the figure drawings is included to show unclaimed subject matter only and forms no part of the claimed design.

1 Claim, 16 Drawing Sheets



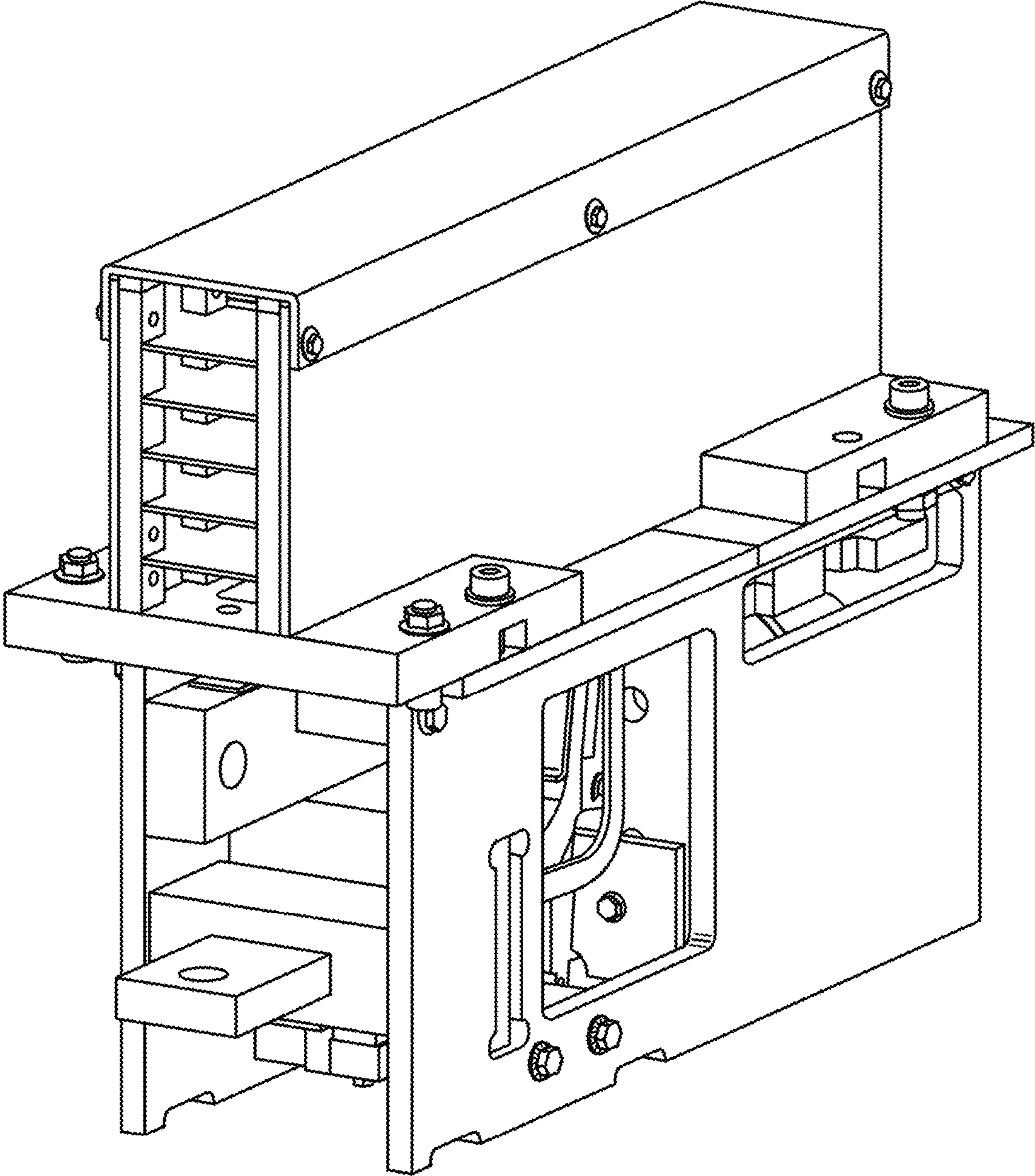


FIG. 1

FIG. 2

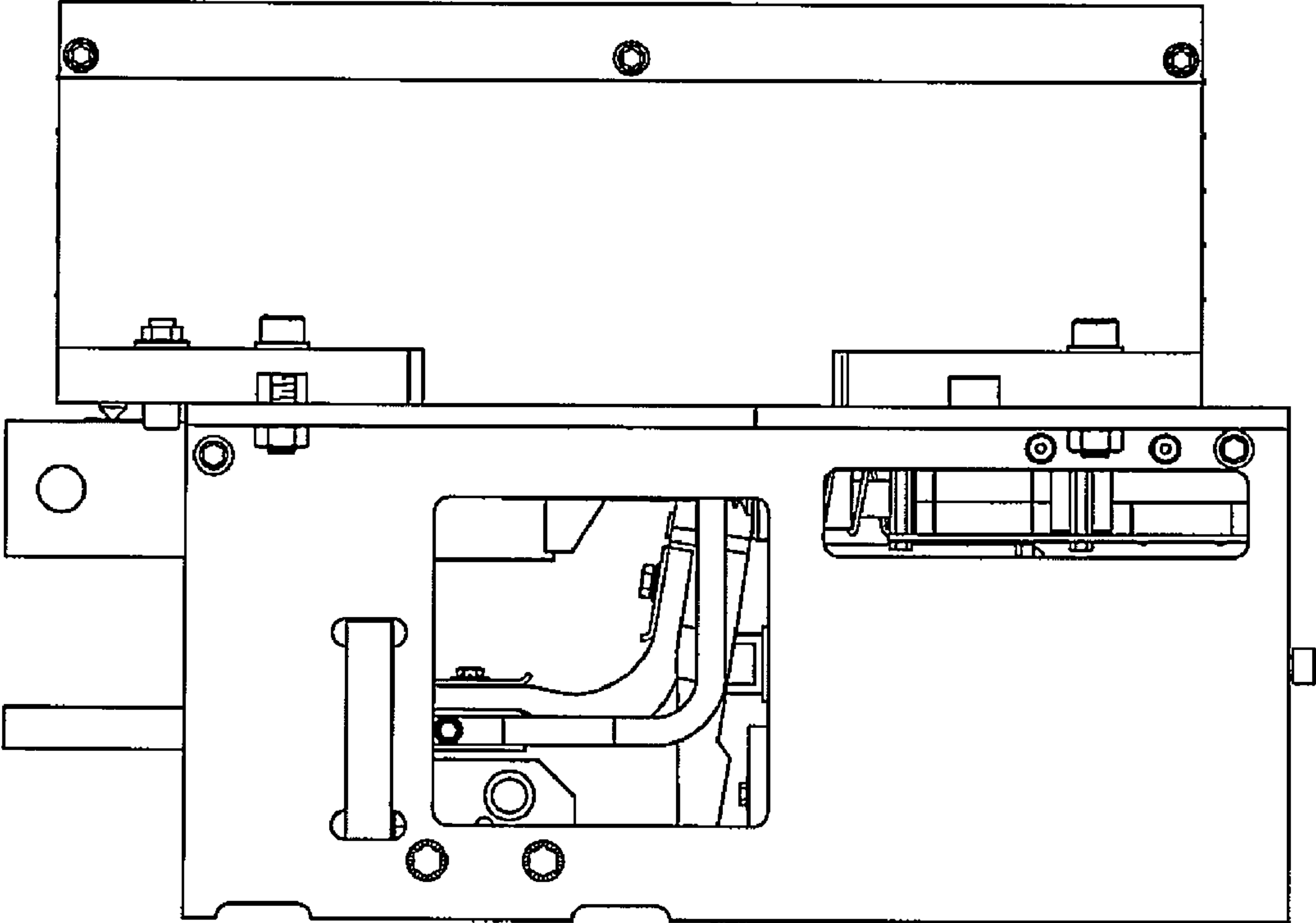
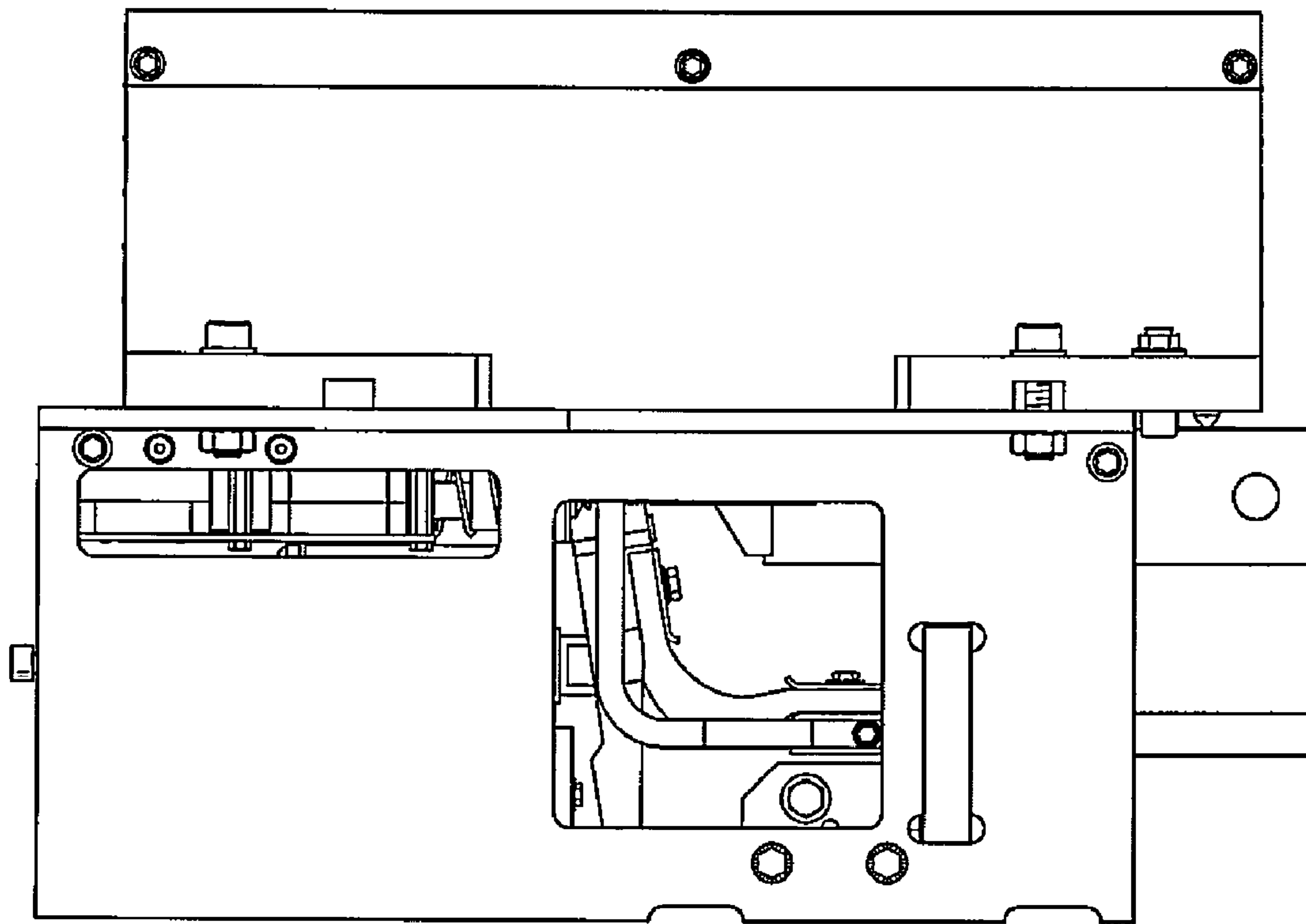


FIG. 3



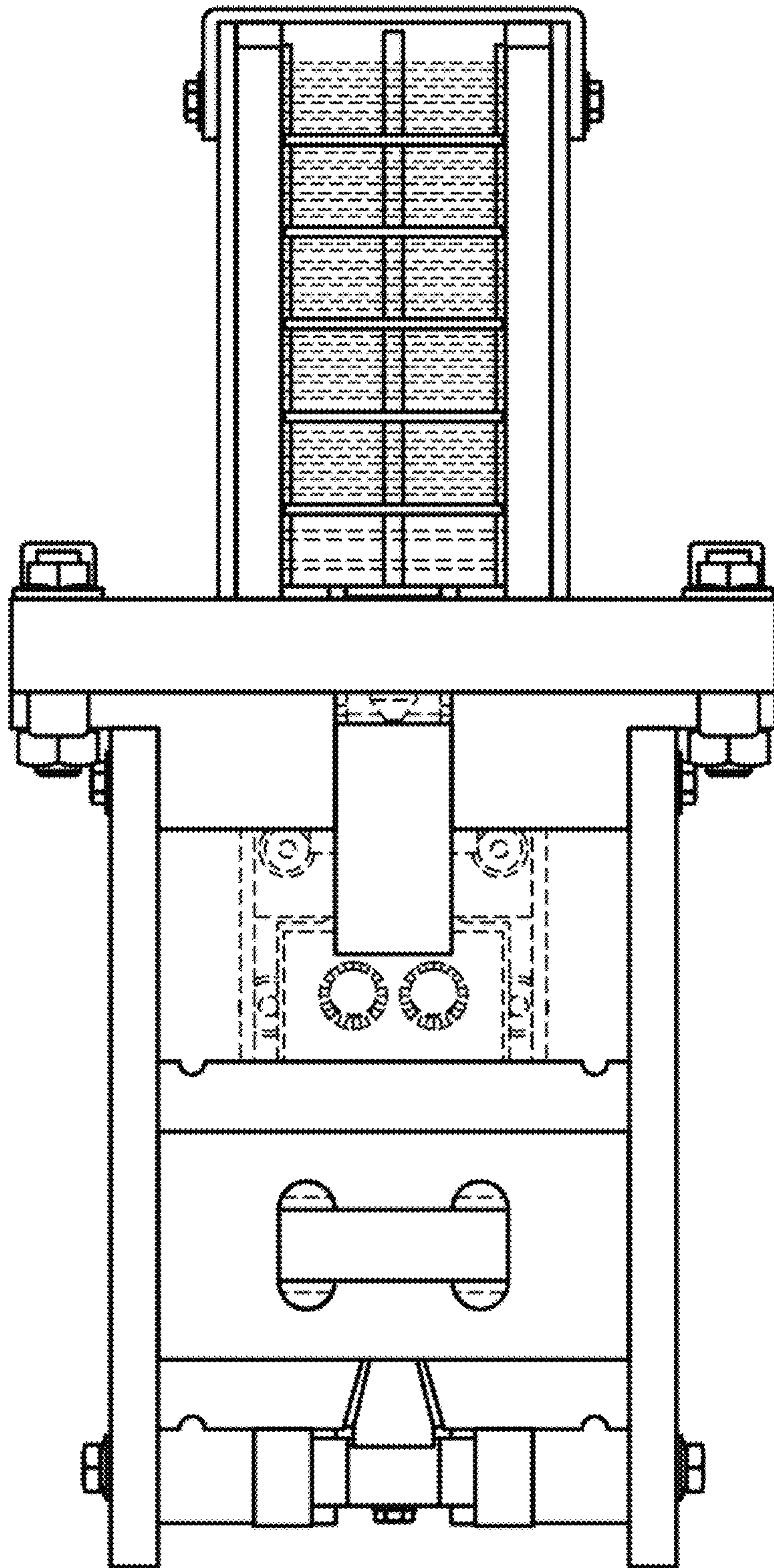


FIG. 4

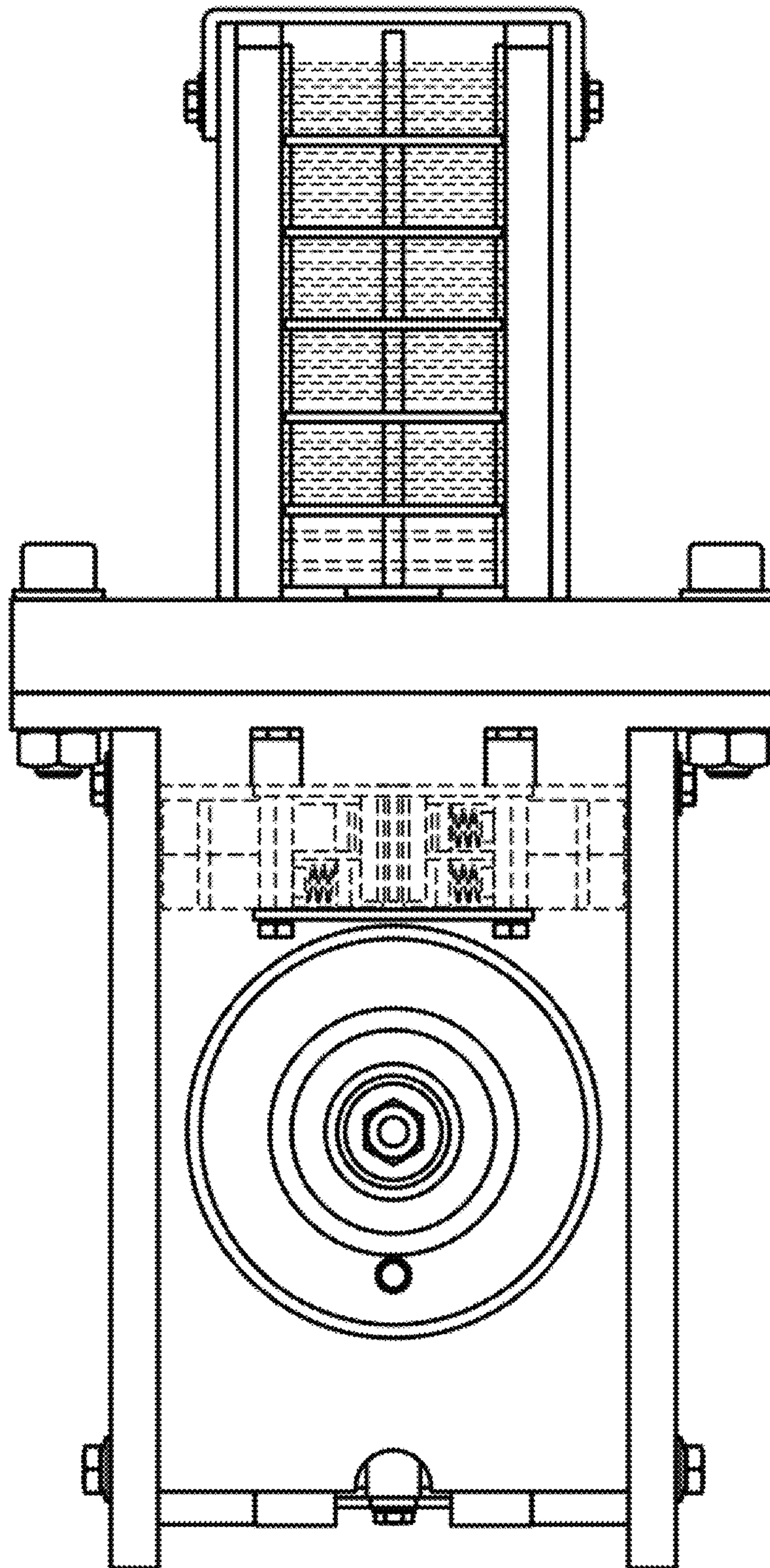
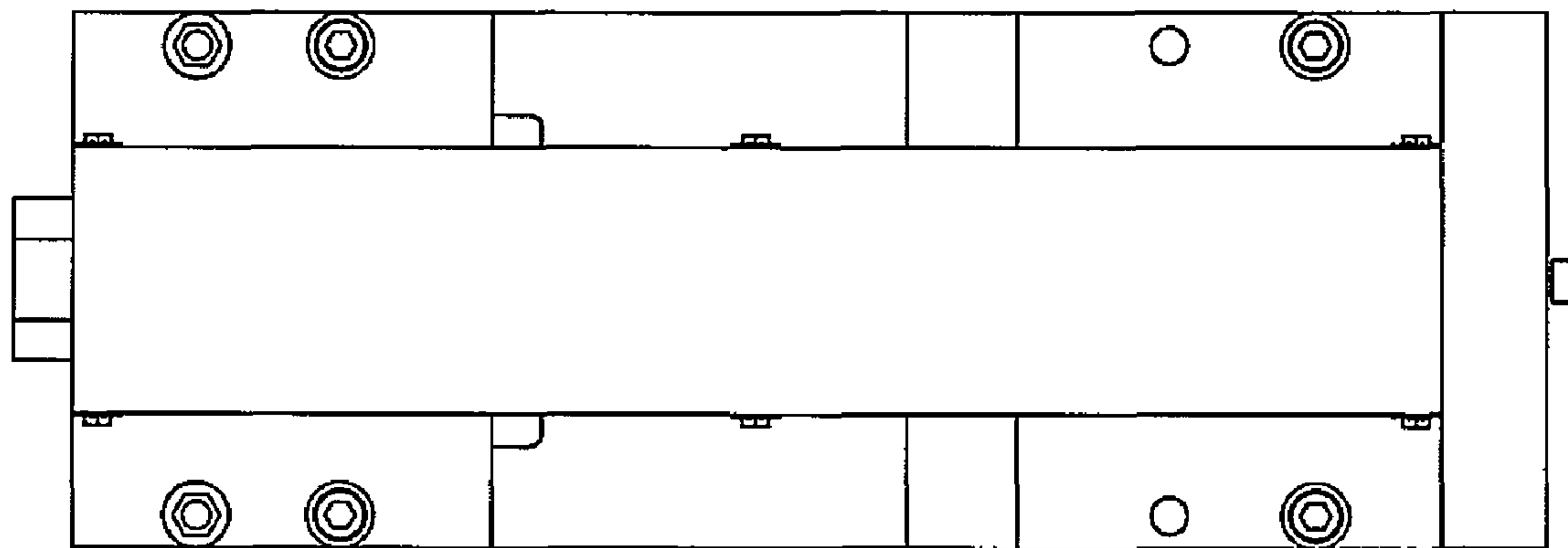


FIG. 5

FIG. 6



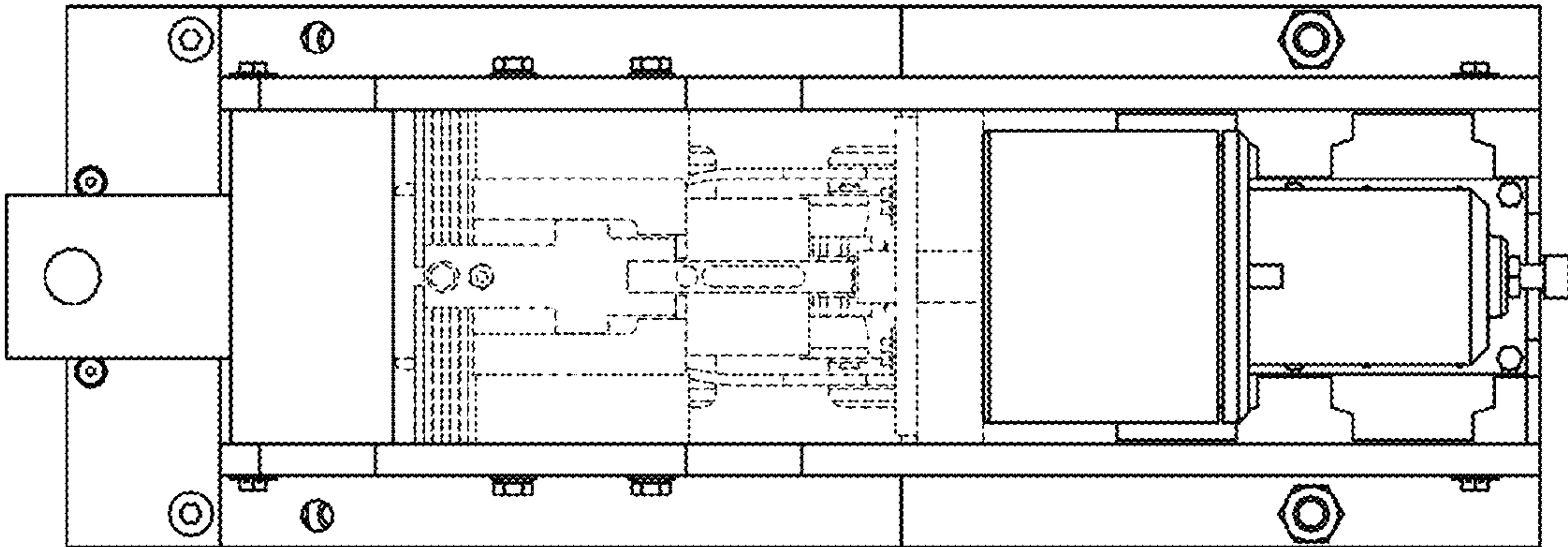
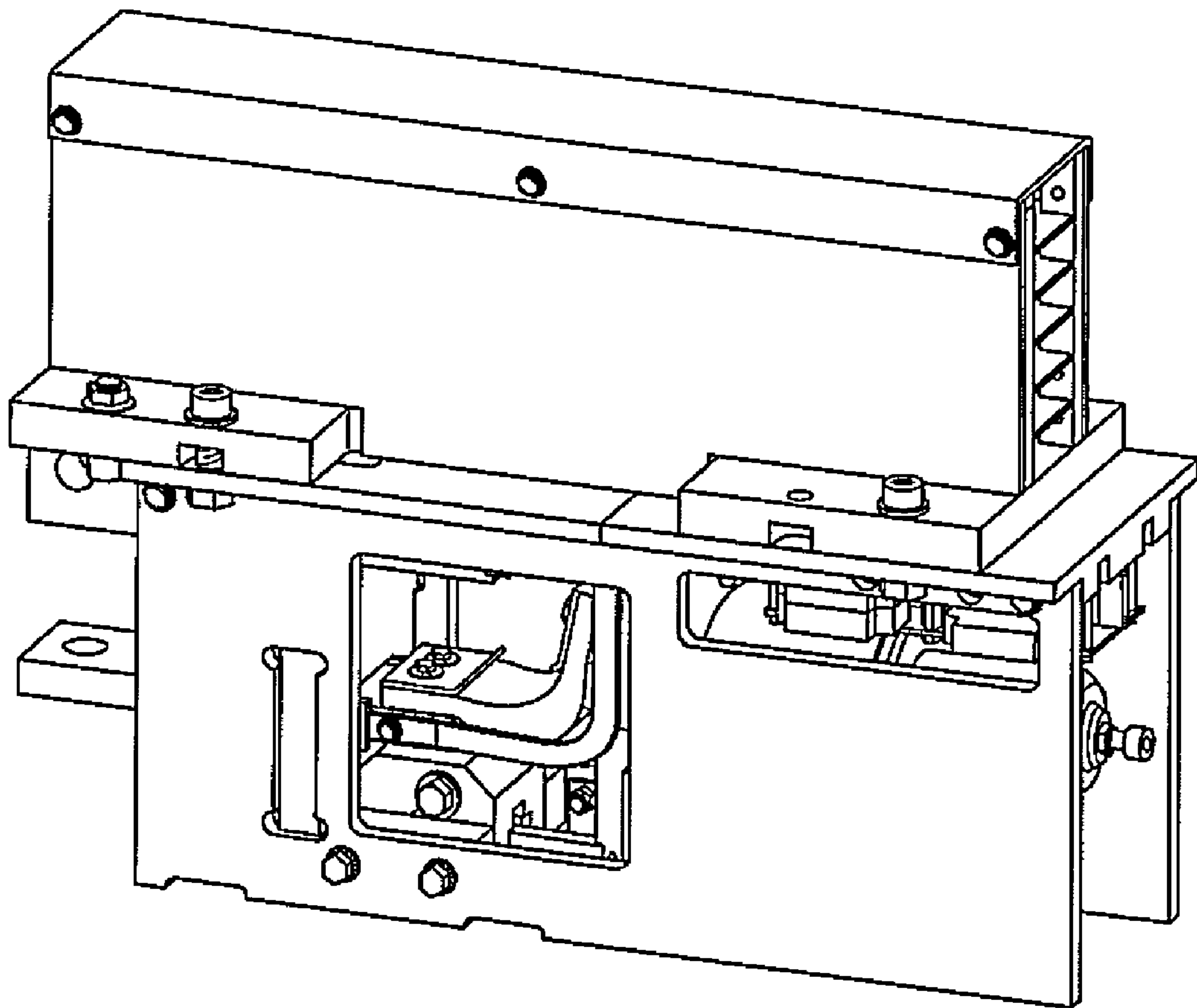


FIG. 7

FIG. 8



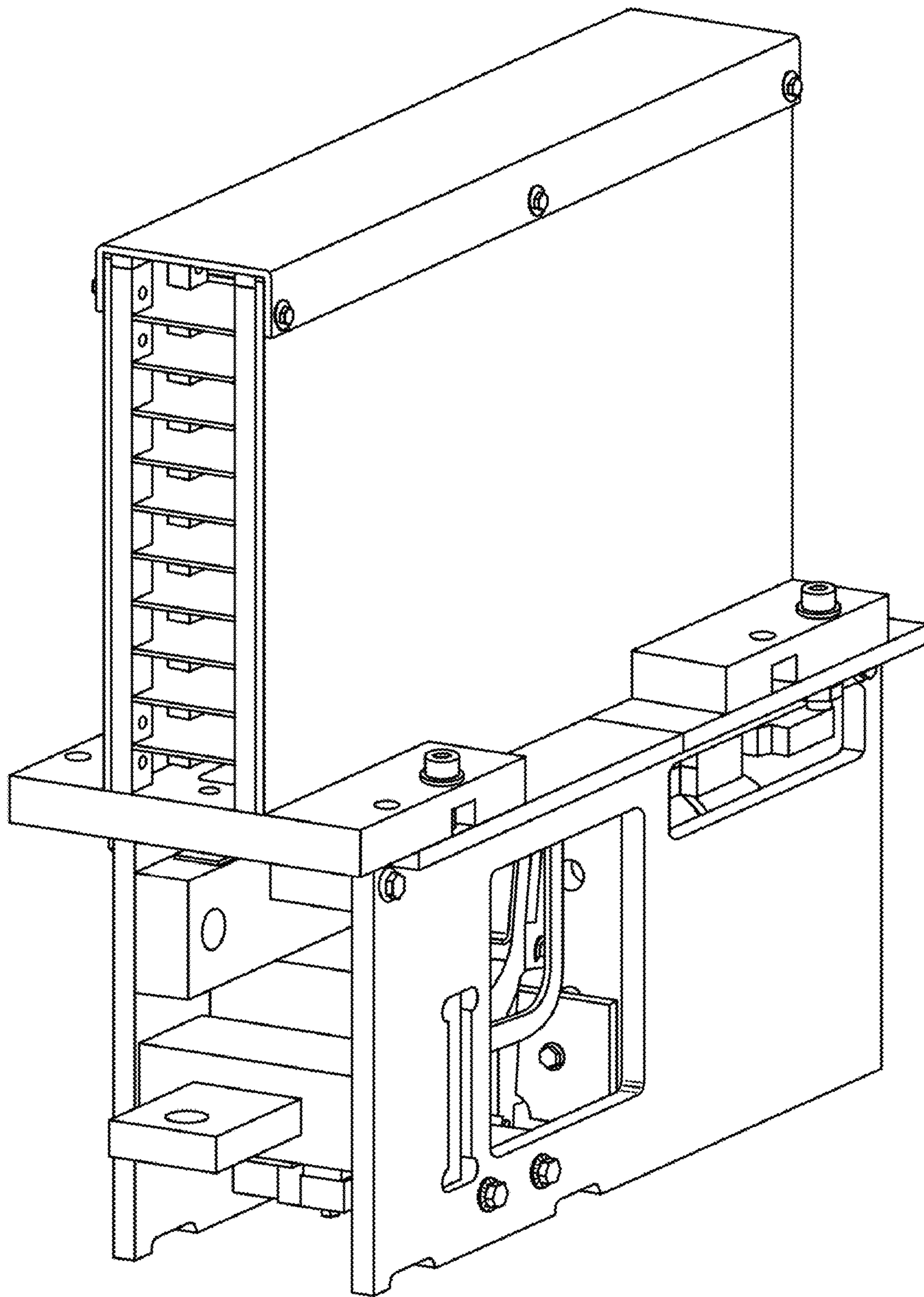


FIG. 9

FIG. 10

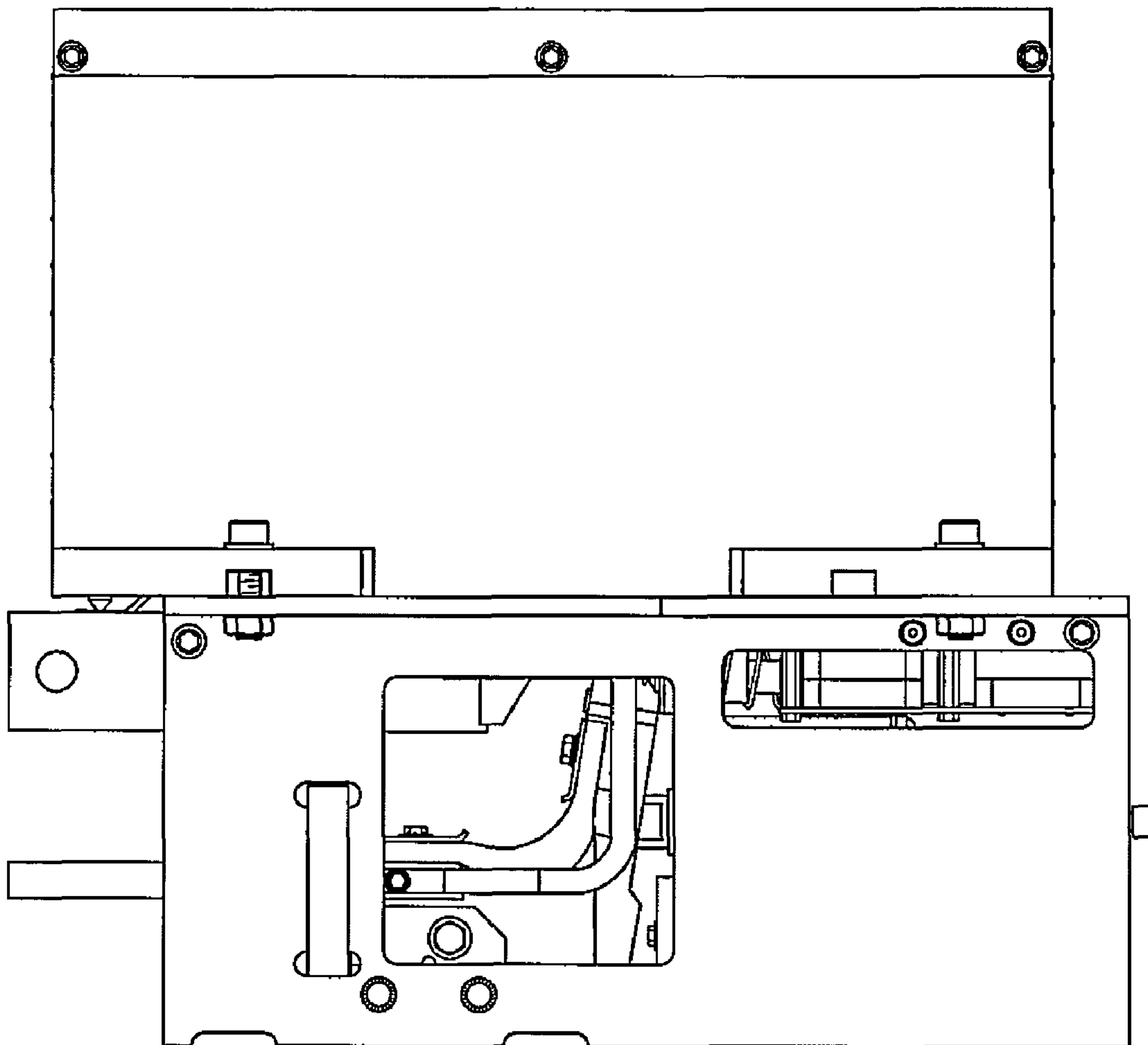
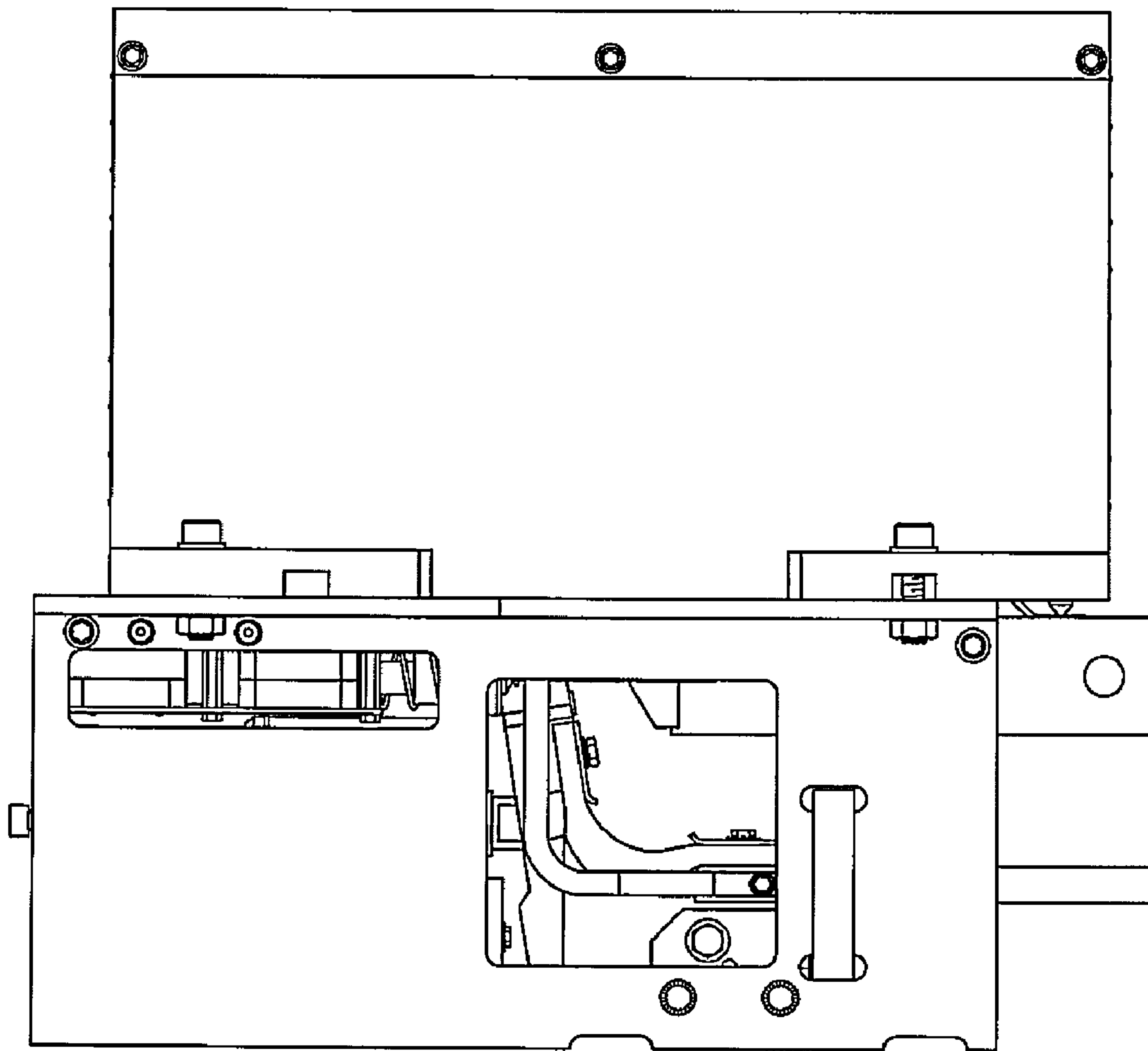


FIG. 11



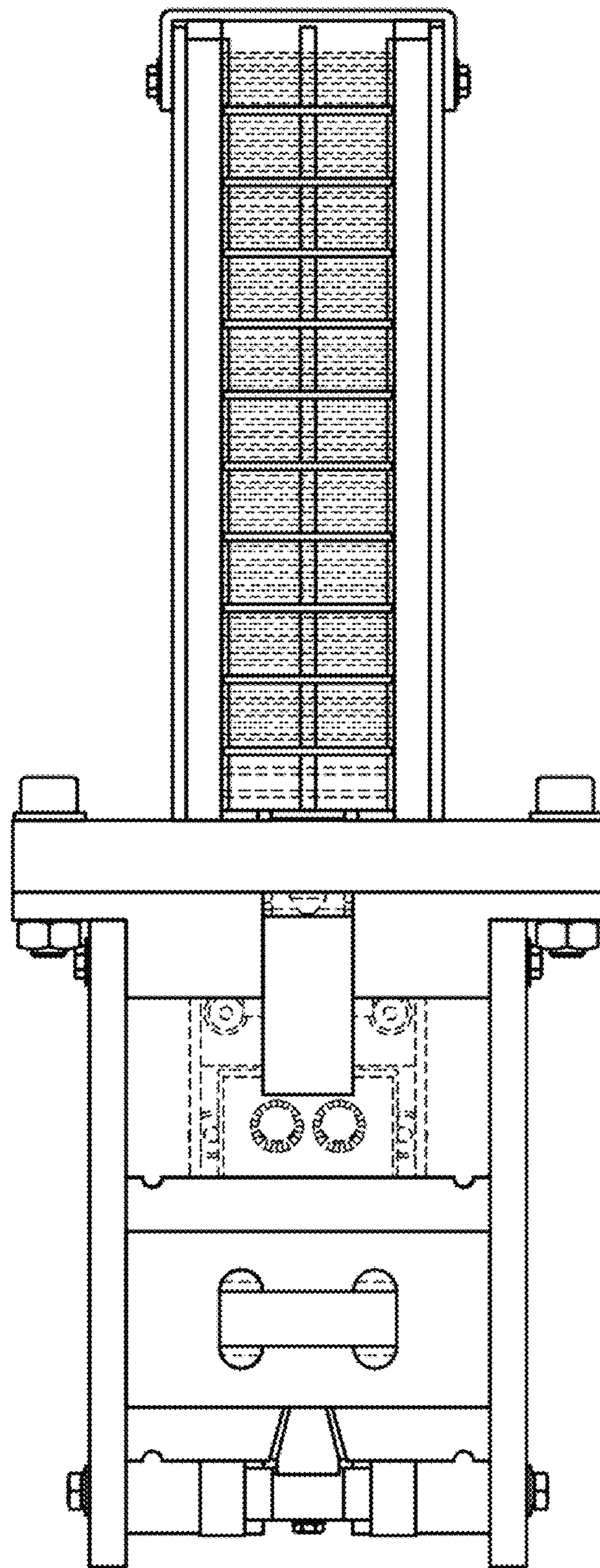


FIG. 12

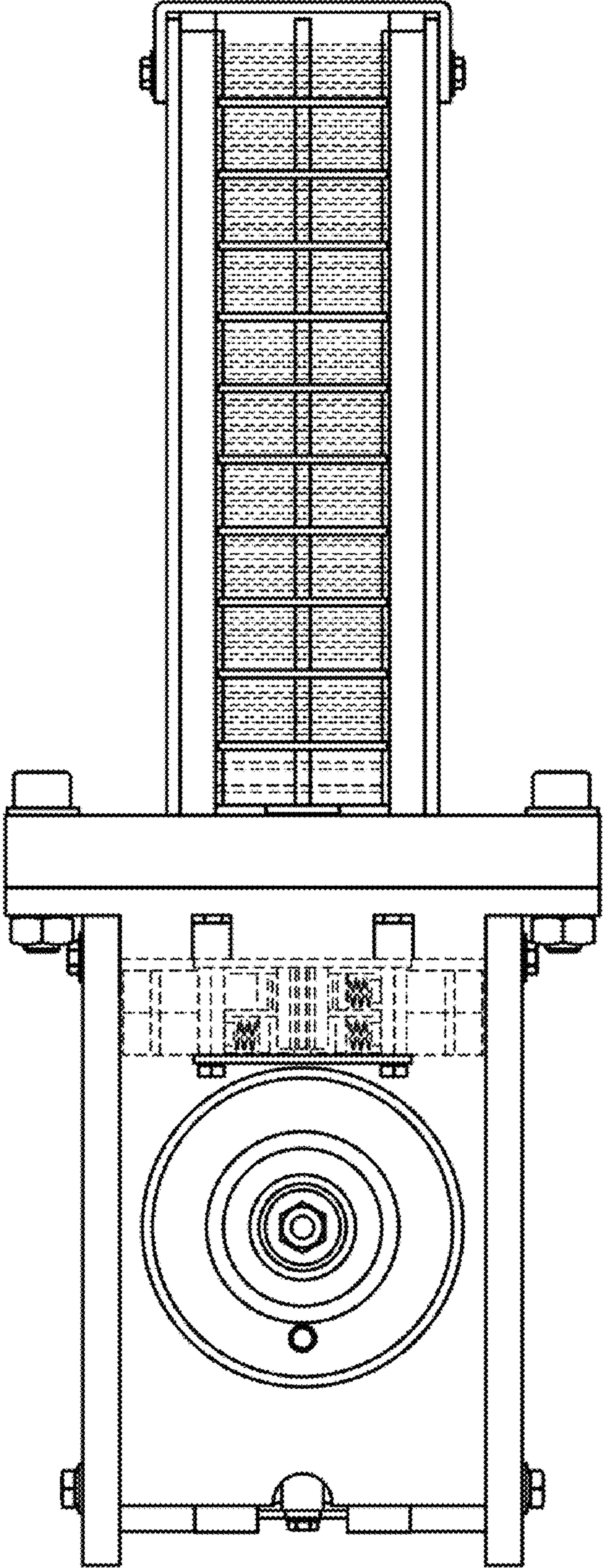
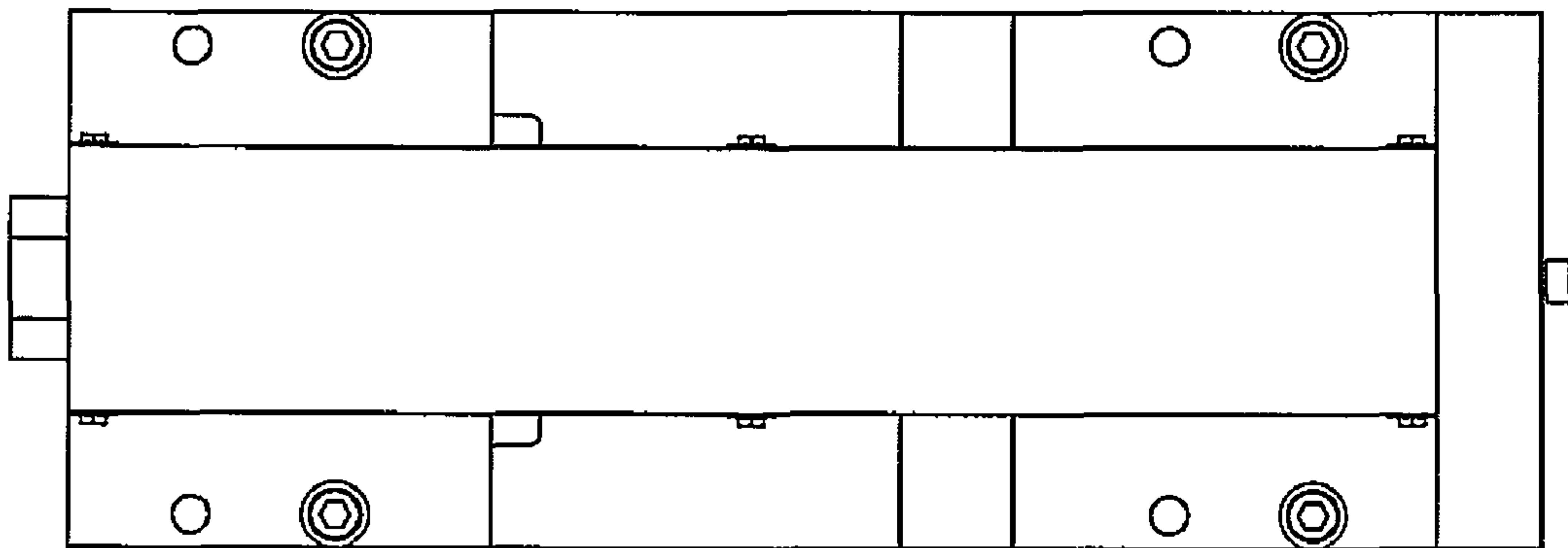


FIG. 13

FIG. 14



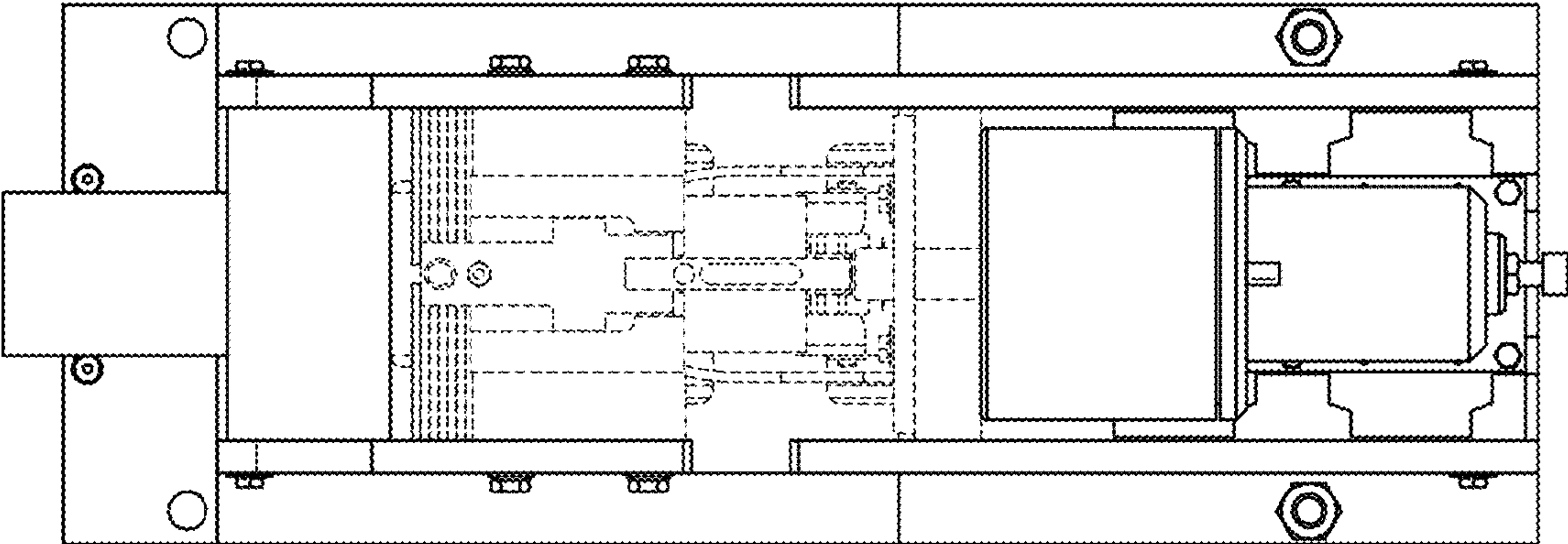


FIG. 15

FIG. 16

