



US00D678213S

(12) **United States Design Patent**
Karlsson

(10) **Patent No.:** **US D678,213 S**

(45) **Date of Patent:** **** Mar. 19, 2013**

(54) **CABLE AND PIPE PENETRATION SEAL**

(75) Inventor: **Andreas Karlsson**, Karlskrona (SE)

(73) Assignee: **Roxtec AB**, Karlskrona (SE)

(**) Term: **14 Years**

(21) Appl. No.: **29/378,436**

(22) Filed: **Nov. 4, 2010**

(30) **Foreign Application Priority Data**

Jun. 16, 2010 (EM) 001720723

(51) **LOC (9) Cl.** **13-03**

(52) **U.S. Cl.** **D13/156**

(58) **Field of Classification Search** D13/156,
D13/133, 147, 152, 153, 154, 184, 199; 174/70 R,
174/72 R, 82, 88 R, 89, 90, 92; 277/312,
277/314, 330, 345, 375, 602, 607, 615, 626,
277/628, 633; 403/196, 309, 310, 344
See application file for complete search history.

(56) **References Cited**

U.S. PATENT DOCUMENTS

D183,593 S * 9/1958 Atkin D13/156
D185,057 S * 5/1959 Atkin D13/156

4,361,721 A * 11/1982 Massey 174/92
6,231,051 B1 * 5/2001 Mueller et al. 277/603
7,316,518 B2 * 1/2008 Sasaki et al. 403/344
D585,837 S * 2/2009 Kuehne et al. D13/154
D658,129 S * 4/2012 Karlsson D13/152
2002/0180163 A1 * 12/2002 Muller et al. 277/602
2004/0262851 A1 * 12/2004 Tones et al. 277/602

* cited by examiner

Primary Examiner — Derrick Holland

(74) *Attorney, Agent, or Firm* — Harness, Dickey & Pierce,
P.L.C.

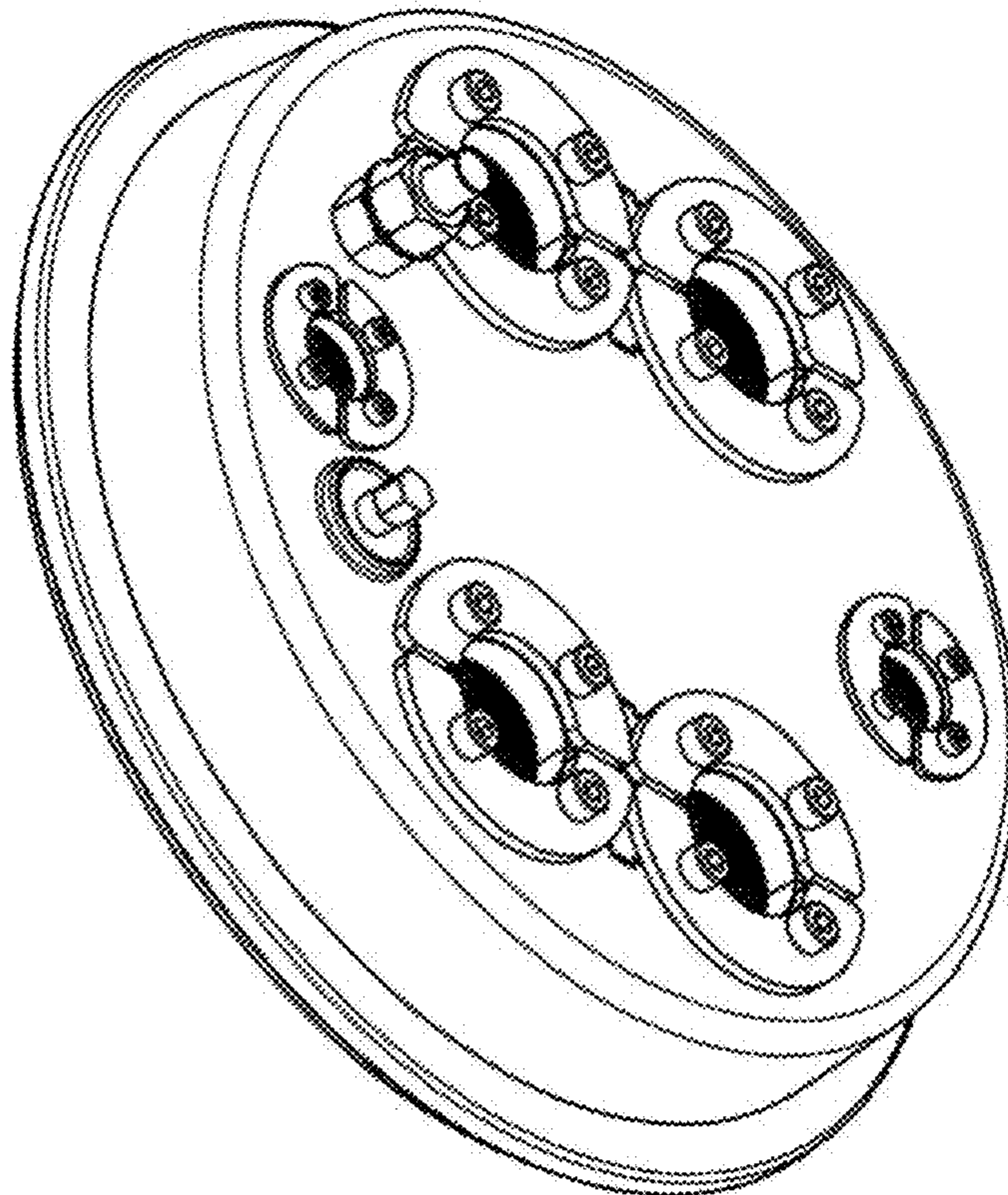
(57) **CLAIM**

The ornamental design for a cable and pipe penetration seal,
as shown and described.

DESCRIPTION

FIG. 1 is a top perspective view of a cable and pipe penetra-
tion seal showing my new design;
FIG. 2 is a bottom perspective view thereof;
FIG. 3 is a bottom plan view thereof;
FIG. 4 is a top plan view thereof;
FIG. 5 is a first side view thereof;
FIG. 6 is a second side view thereof; and,
FIG. 7 is a third side view thereof.

1 Claim, 7 Drawing Sheets



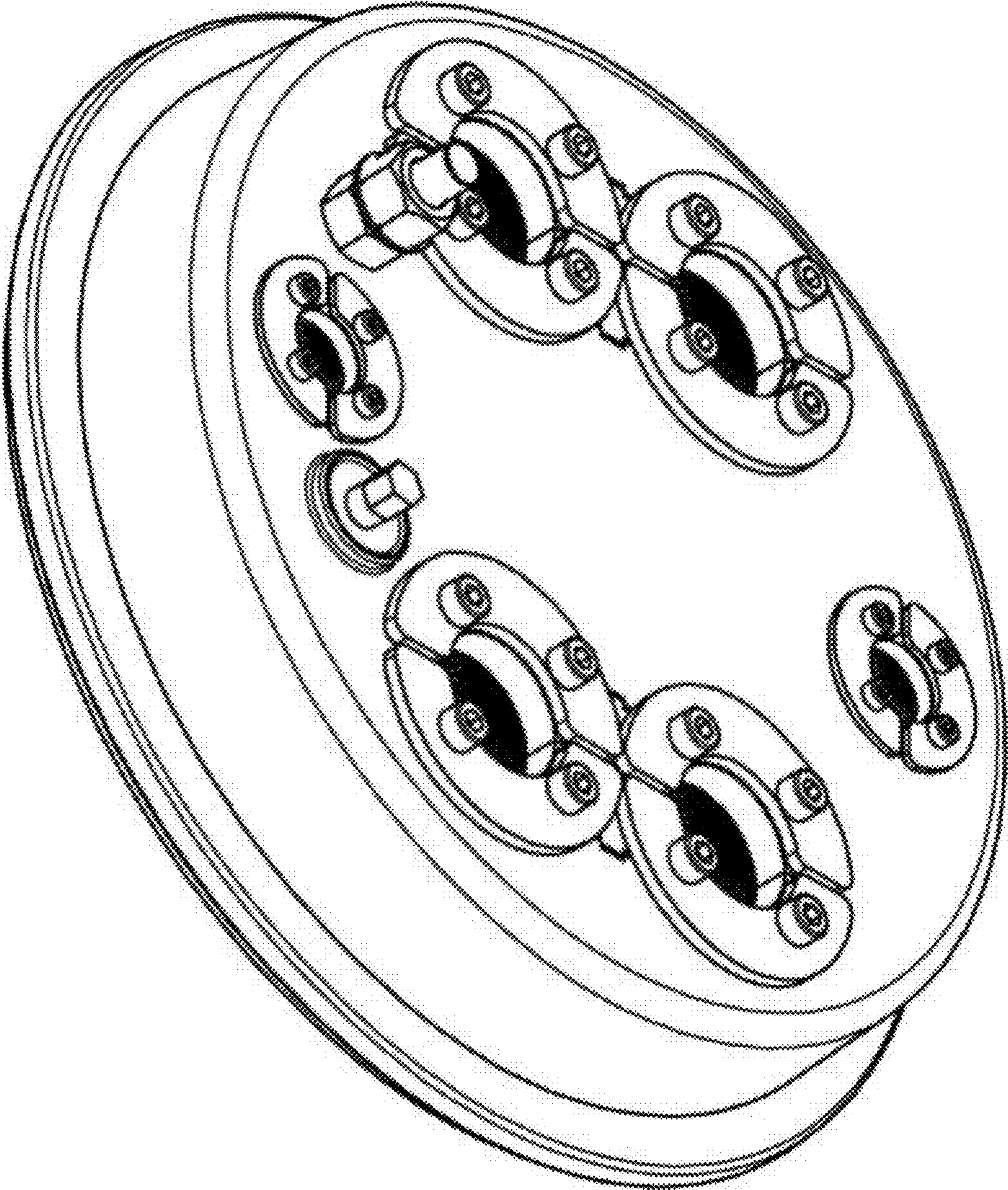


FIG. 1

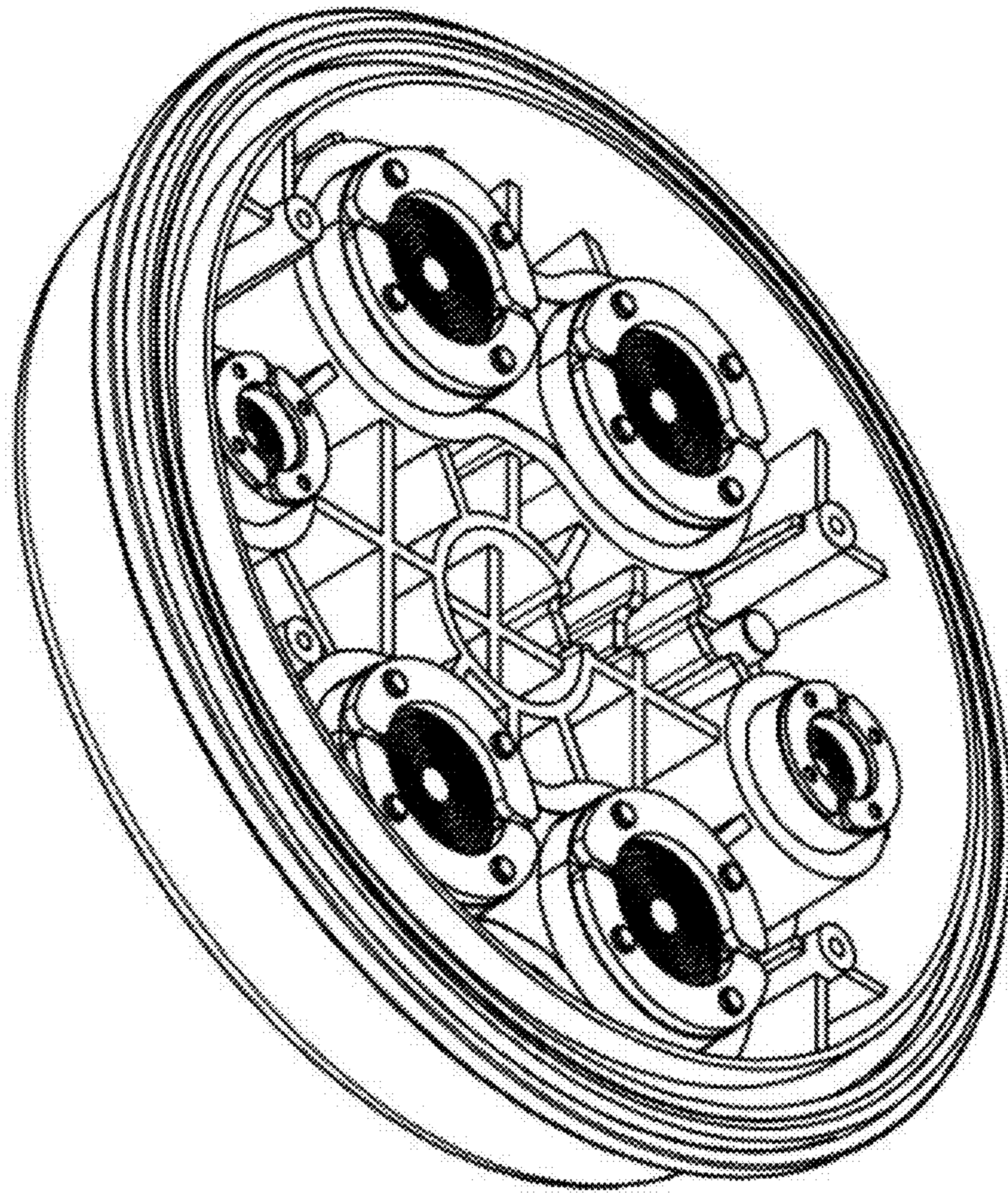


FIG. 2

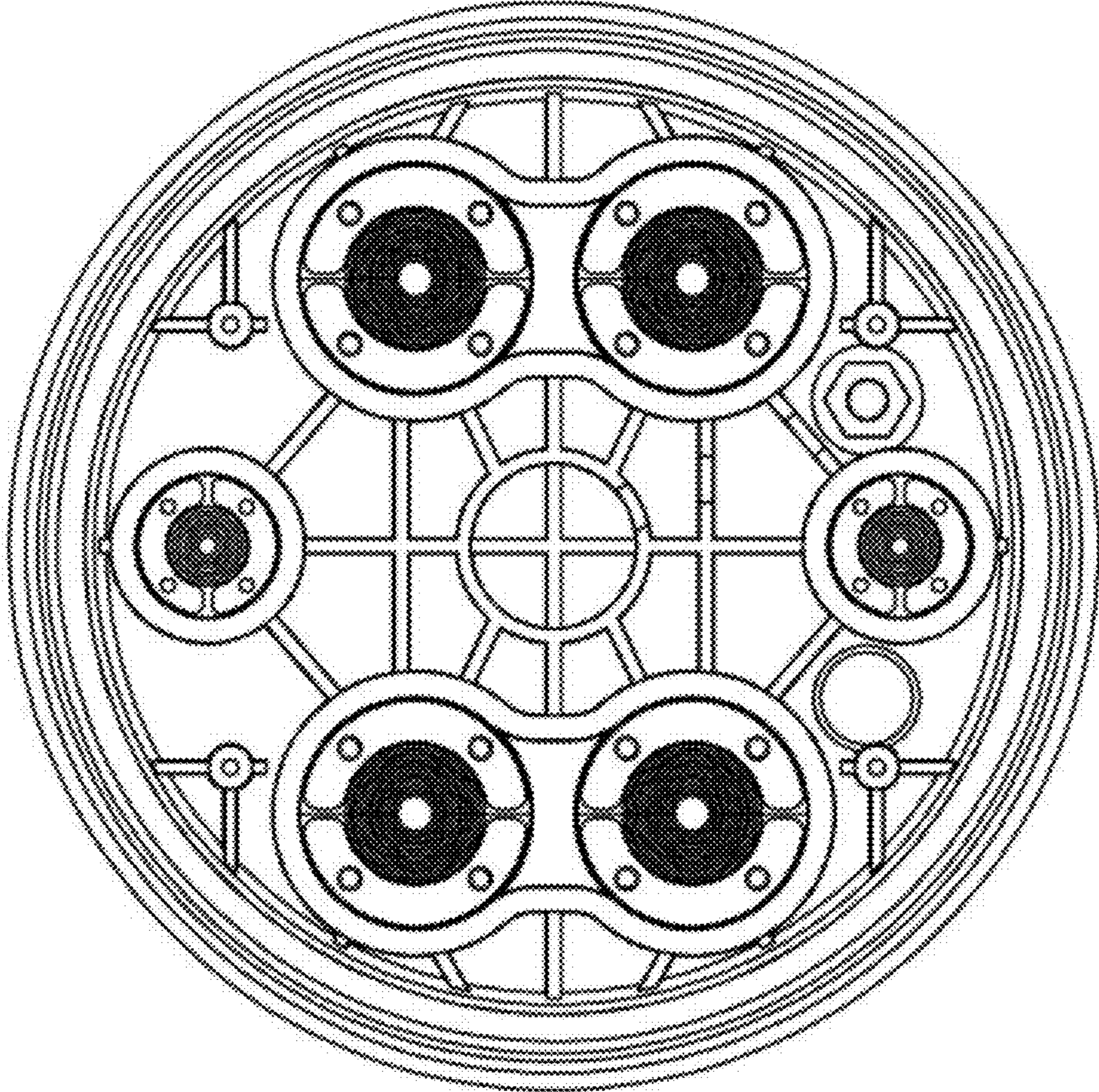


FIG. 3

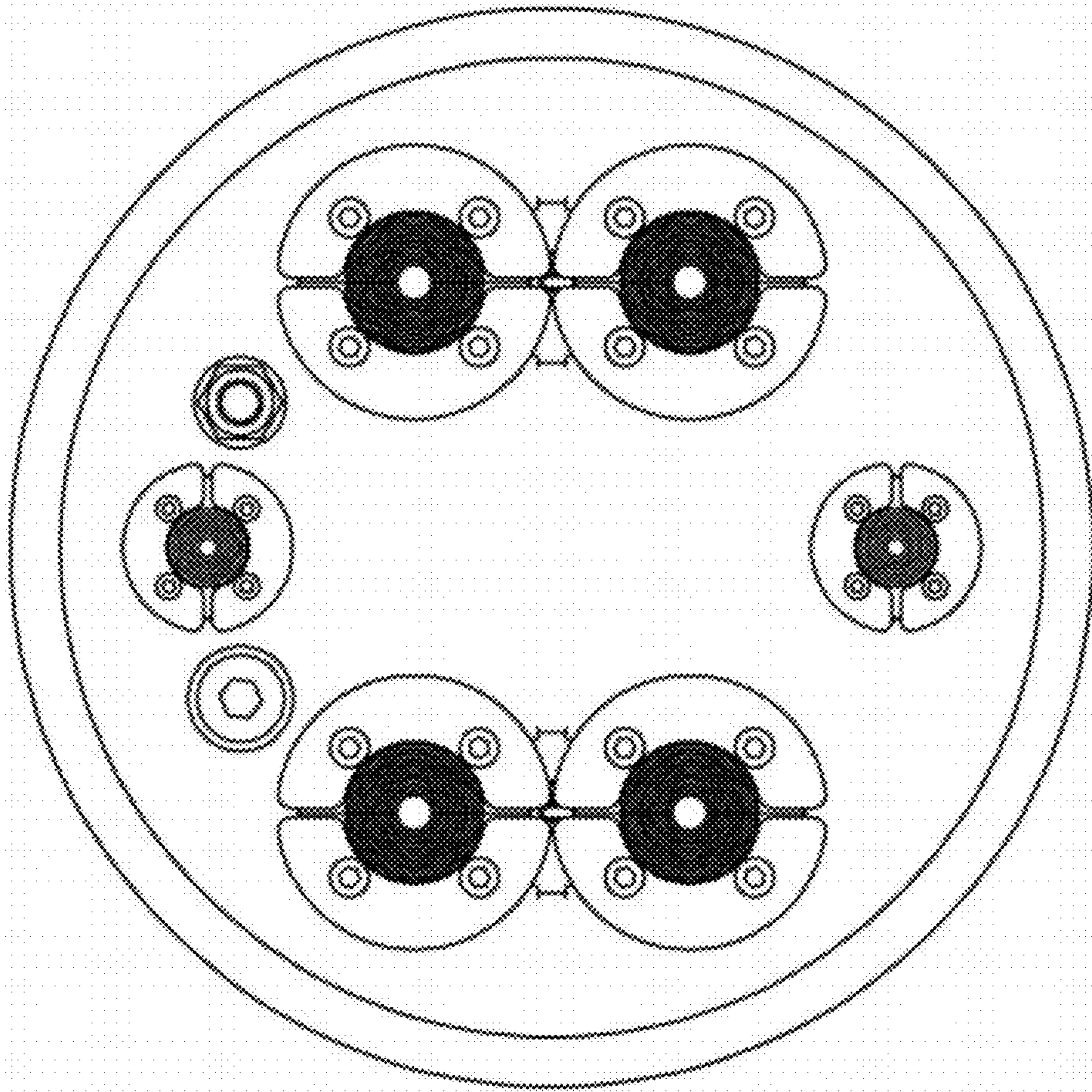


FIG. 4

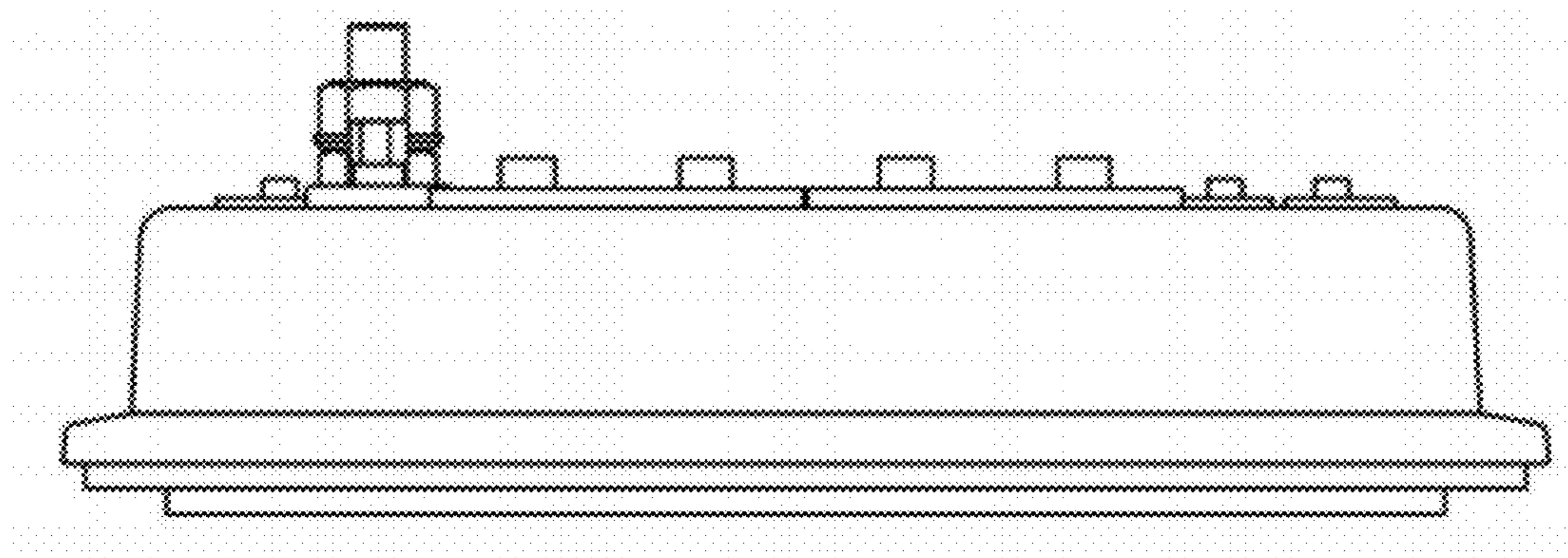


FIG. 5

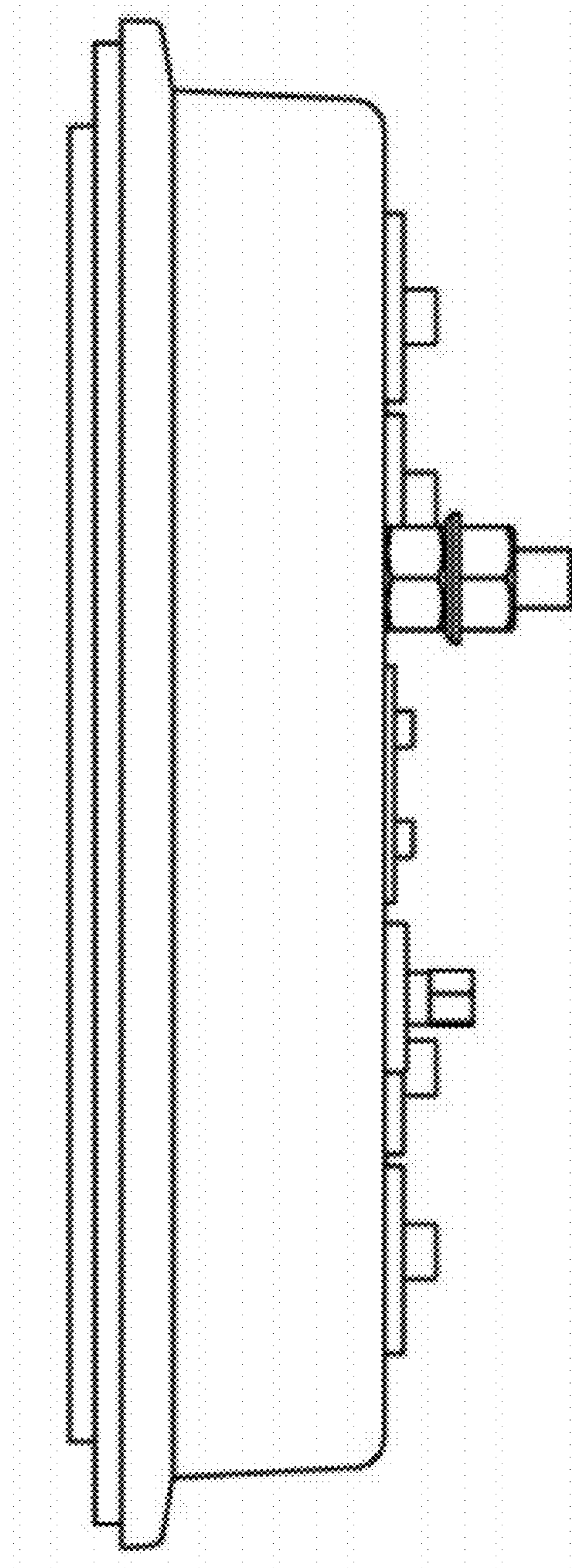


FIG. 6

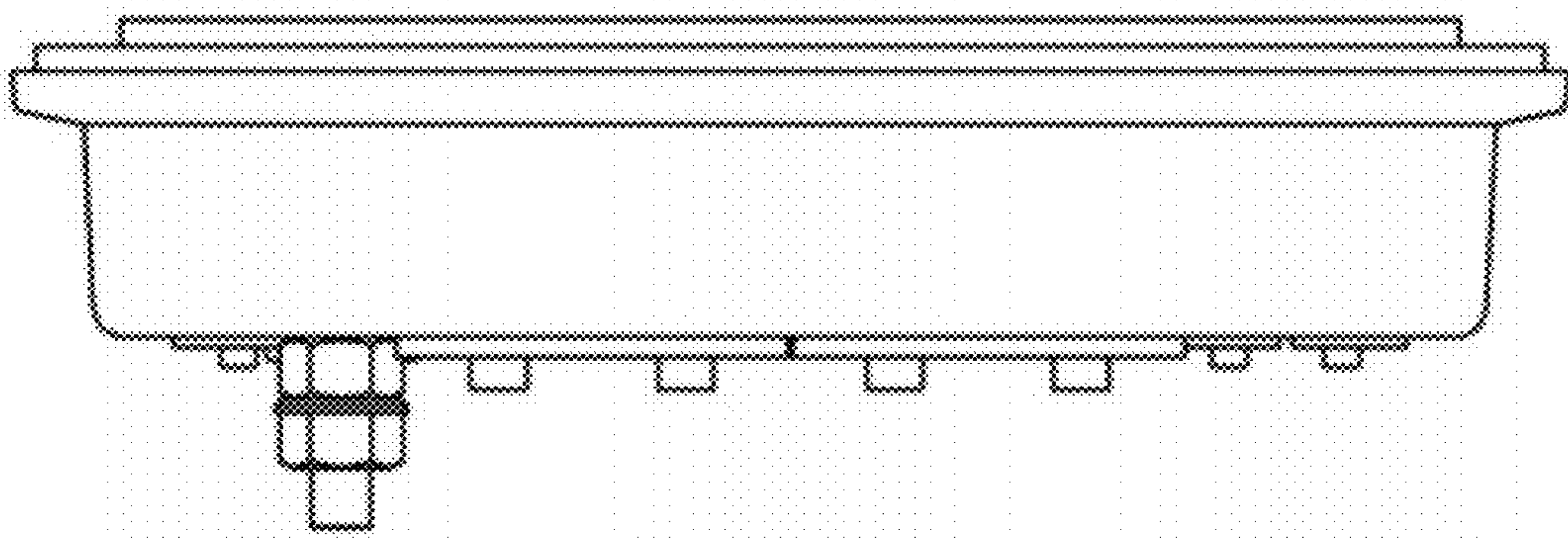


FIG. 7