



US00D678212S

(12) **United States Design Patent**  
**Peckham**

(10) **Patent No.:** **US D678,212 S**  
(45) **Date of Patent:** **\*\* Mar. 19, 2013**

(54) **ELECTRICAL OUTLET COVER BOX**

(76) Inventor: **Albert E. Peckham**, Gloucester, MA  
(US)

(\*\*) Term: **14 Years**

(21) Appl. No.: **29/372,091**

(22) Filed: **Oct. 14, 2010**

(51) **LOC (9) Cl.** ..... **13-03**

(52) **U.S. Cl.** ..... **D13/156**

(58) **Field of Classification Search** ..... D13/156,  
D13/152, 153, 154, 177, 184, 199; D8/353;  
174/50, 53, 54, 55, 58, 60, 66, 67; 220/4.02,  
220/241, 244; 248/906; 439/345, 373, 535,  
439/536

See application file for complete search history.

(56) **References Cited**

**U.S. PATENT DOCUMENTS**

4,851,612	A *	7/1989	Peckham	.....	174/67
5,218,169	A *	6/1993	Riceman	.....	174/67
D342,235	S *	12/1993	Shotey	.....	D13/156
D345,142	S *	3/1994	Porter	.....	D13/156
5,382,755	A *	1/1995	Correnti	.....	174/67
5,773,760	A *	6/1998	Stark et al.	.....	174/66
D400,507	S *	11/1998	Monaco	.....	D13/156
6,198,046	B1 *	3/2001	Moodie	.....	174/67
D443,592	S *	6/2001	Frattini	.....	D13/152

D465,461	S *	11/2002	Hinshaw et al.	.....	D13/177
6,891,104	B2 *	5/2005	Dinh	.....	174/67
D556,143	S *	11/2007	Ni	.....	D13/152
7,410,372	B2 *	8/2008	Johnson et al.	.....	439/142

\* cited by examiner

*Primary Examiner* — Derrick Holland

(74) *Attorney, Agent, or Firm* — Don Halgren

(57) **CLAIM**

The ornamental design for an electrical outlet cover box, as shown and described.

**DESCRIPTION**

FIG. 1 is a top plan view of an electrical outlet cover box showing my new design;

FIG. 2 is a first side elevation view thereof, taken along the lines 2-2 of FIG. 1;

FIG. 3 is a bottom plan view thereof;

FIG. 4 is a first end elevation view thereof, taken along the lines 4-4 of FIG. 1;

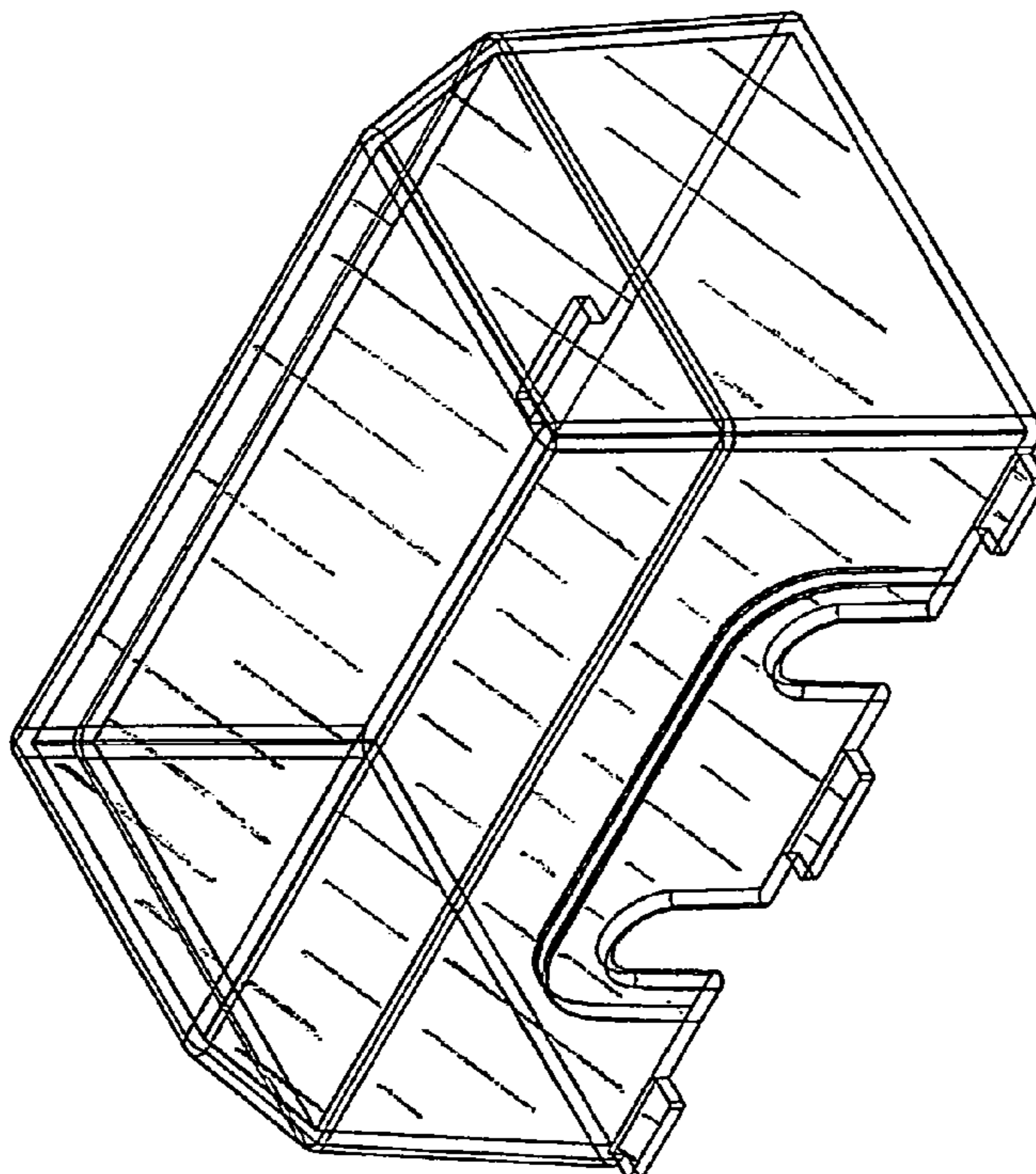
FIG. 5 is a second side elevation view thereof, taken along the lines 5-5 of FIG. 1;

FIG. 6 is a second end elevation view thereof, taken along the lines 6-6 of FIG. 1;

FIG. 7 is a bottom perspective view thereof; and,

FIG. 8 is a top perspective view thereof.

**1 Claim, 3 Drawing Sheets**



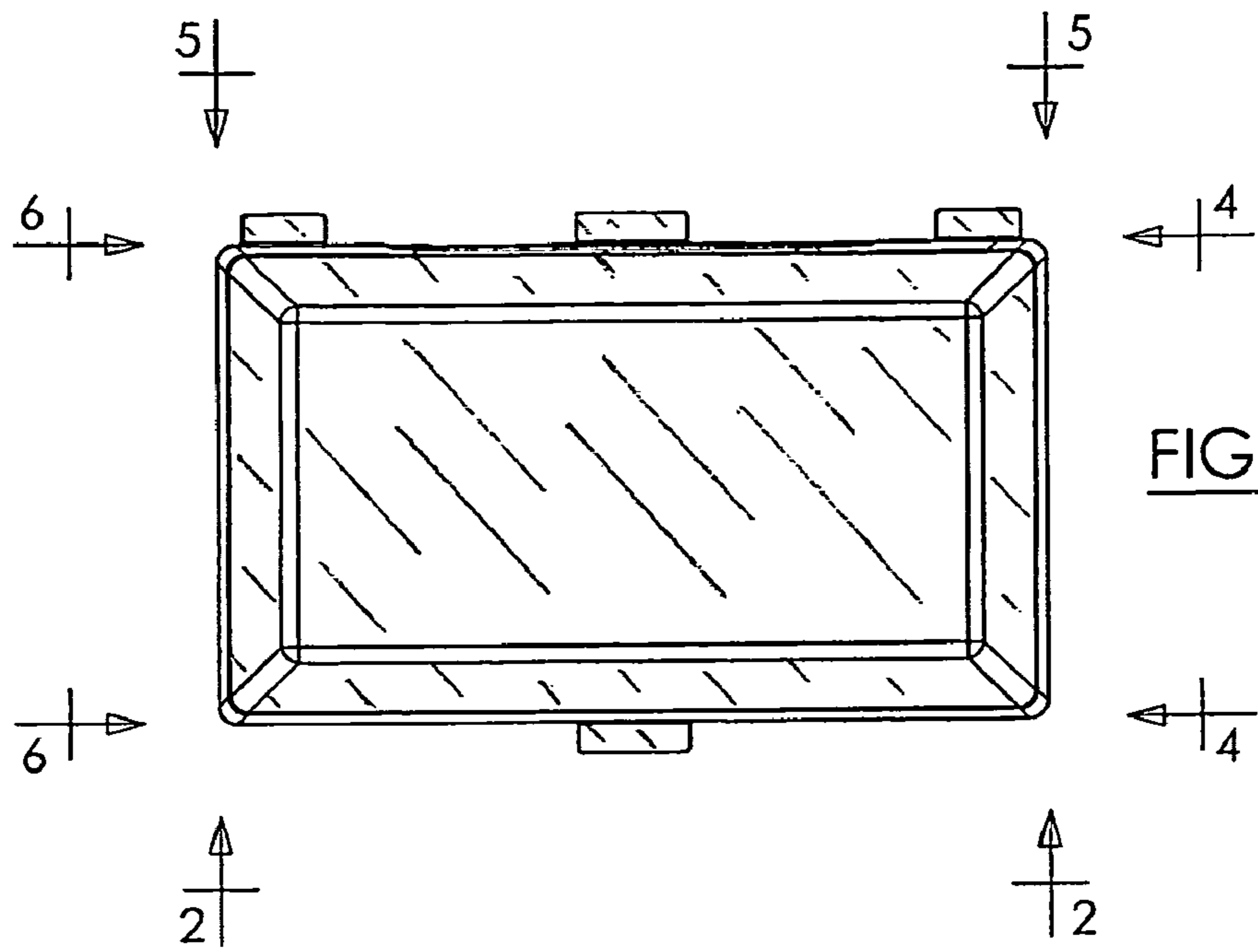


FIG. 1

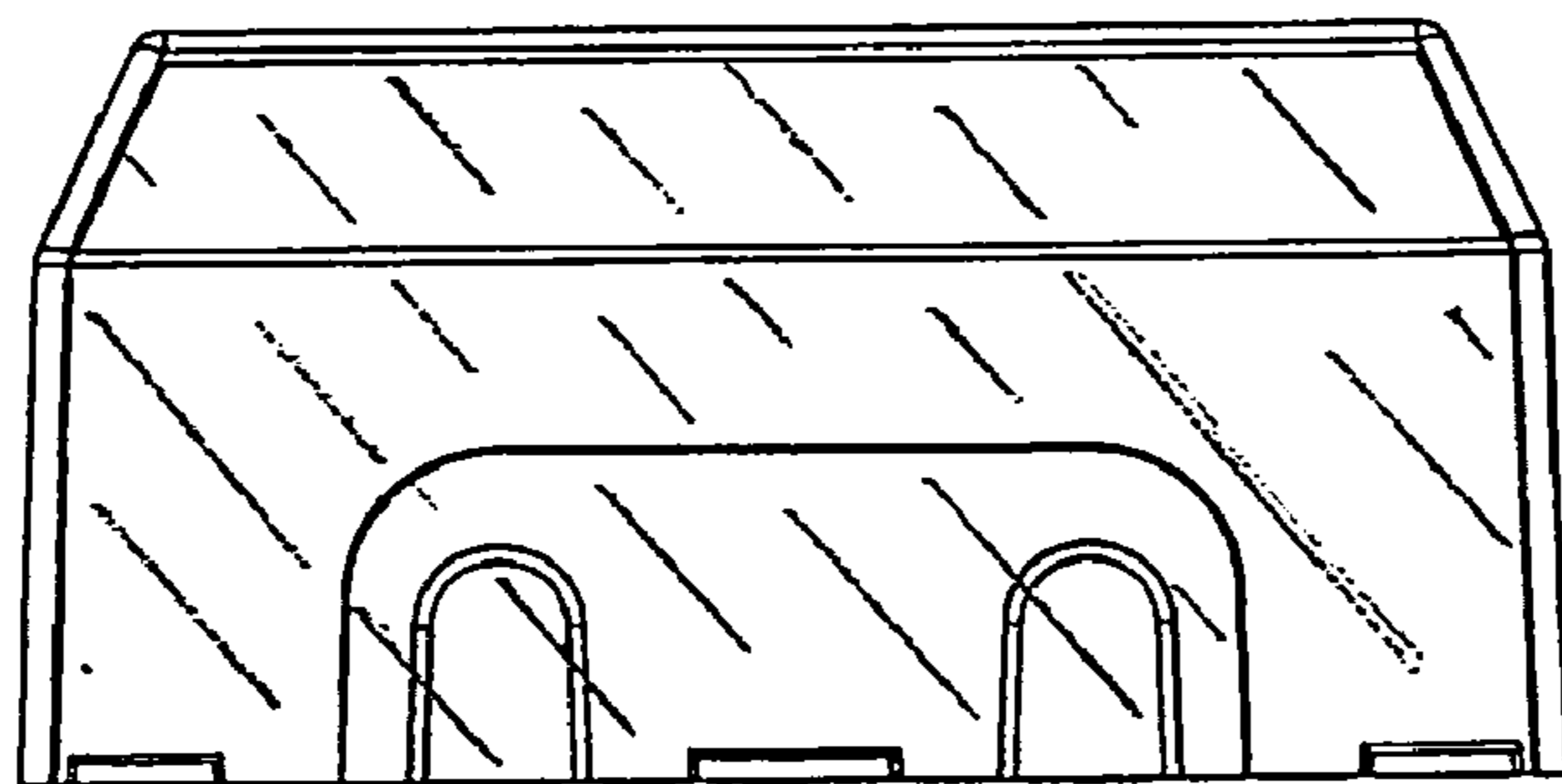


FIG. 2

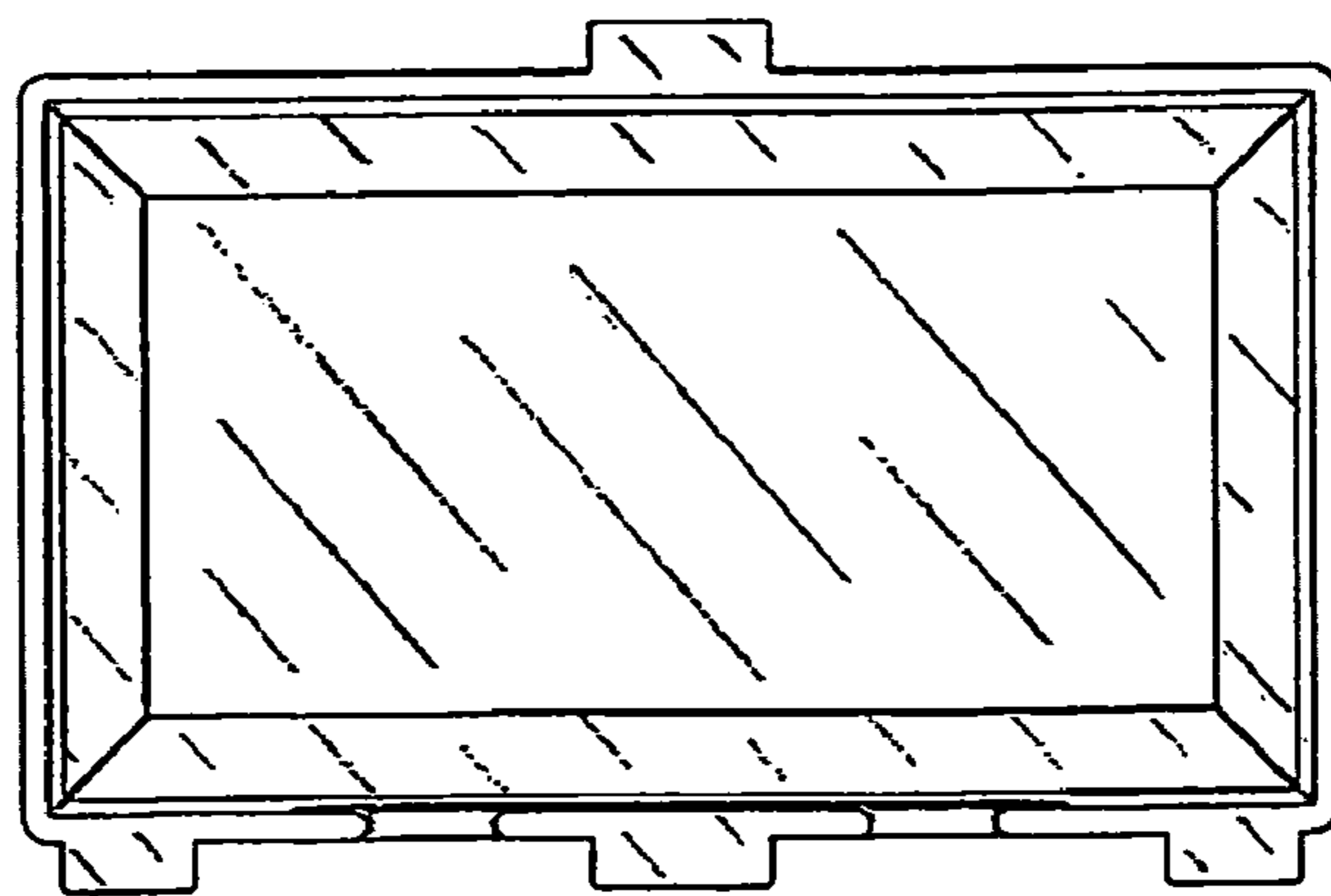


FIG. 3

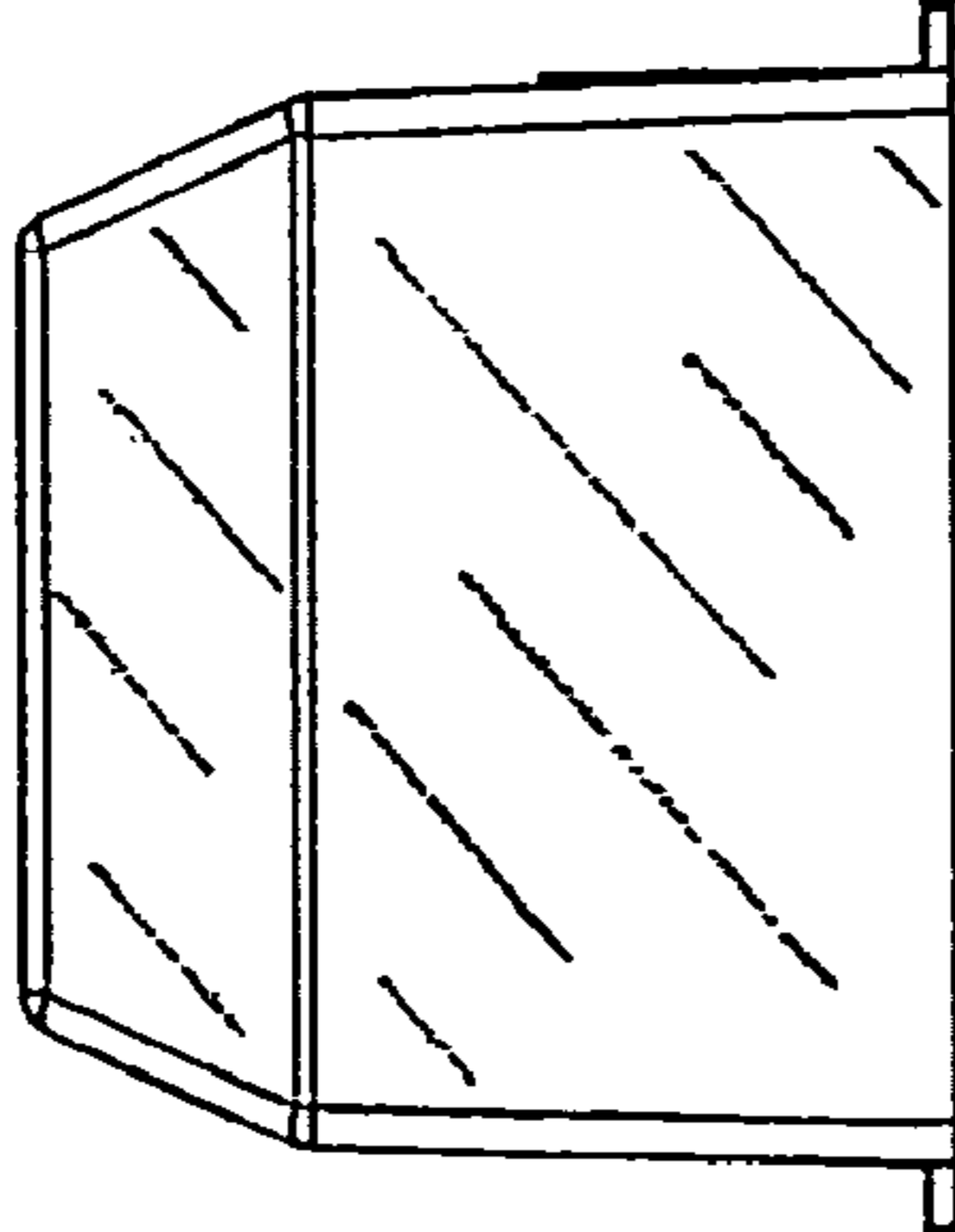


Fig. 4

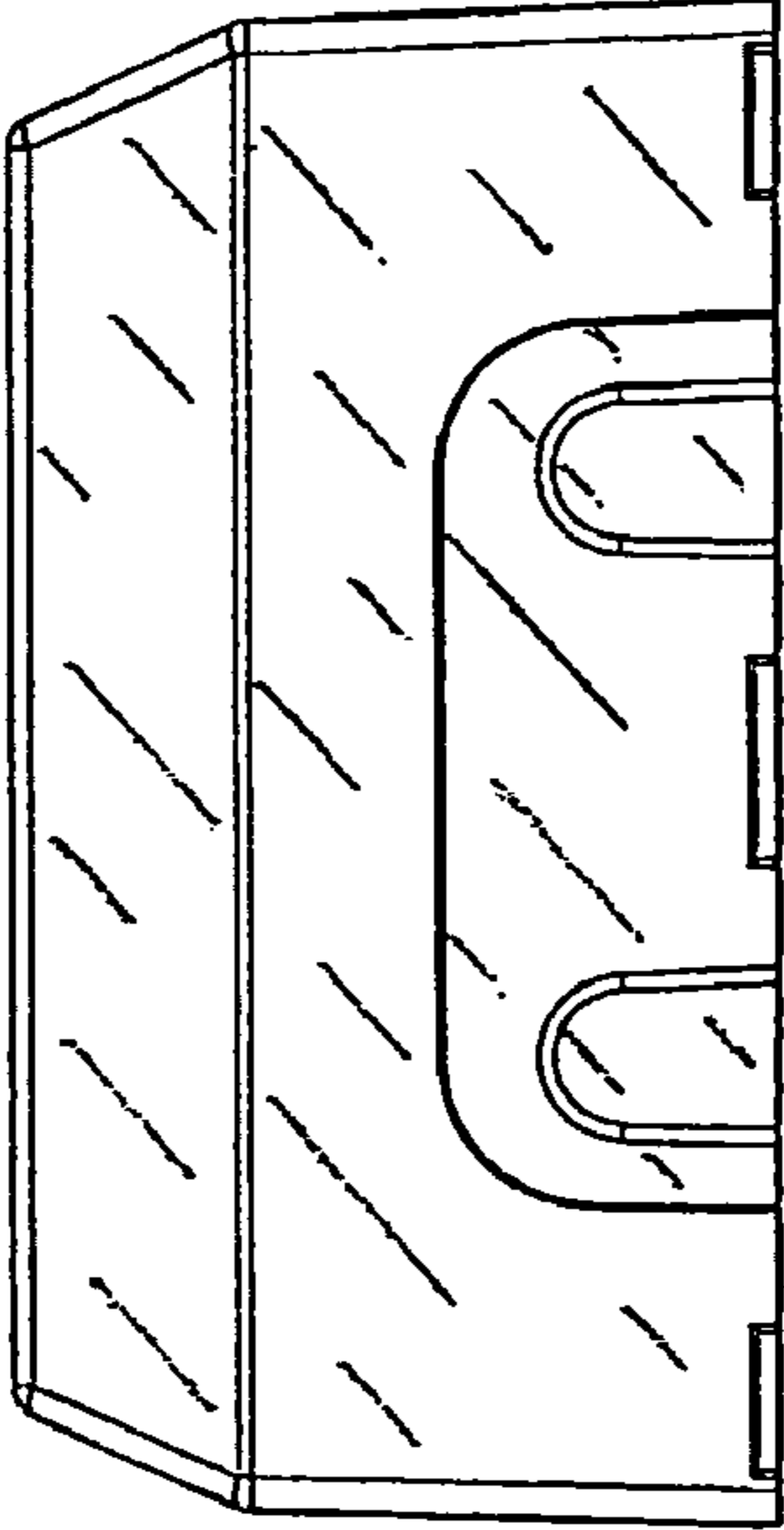


Fig. 5

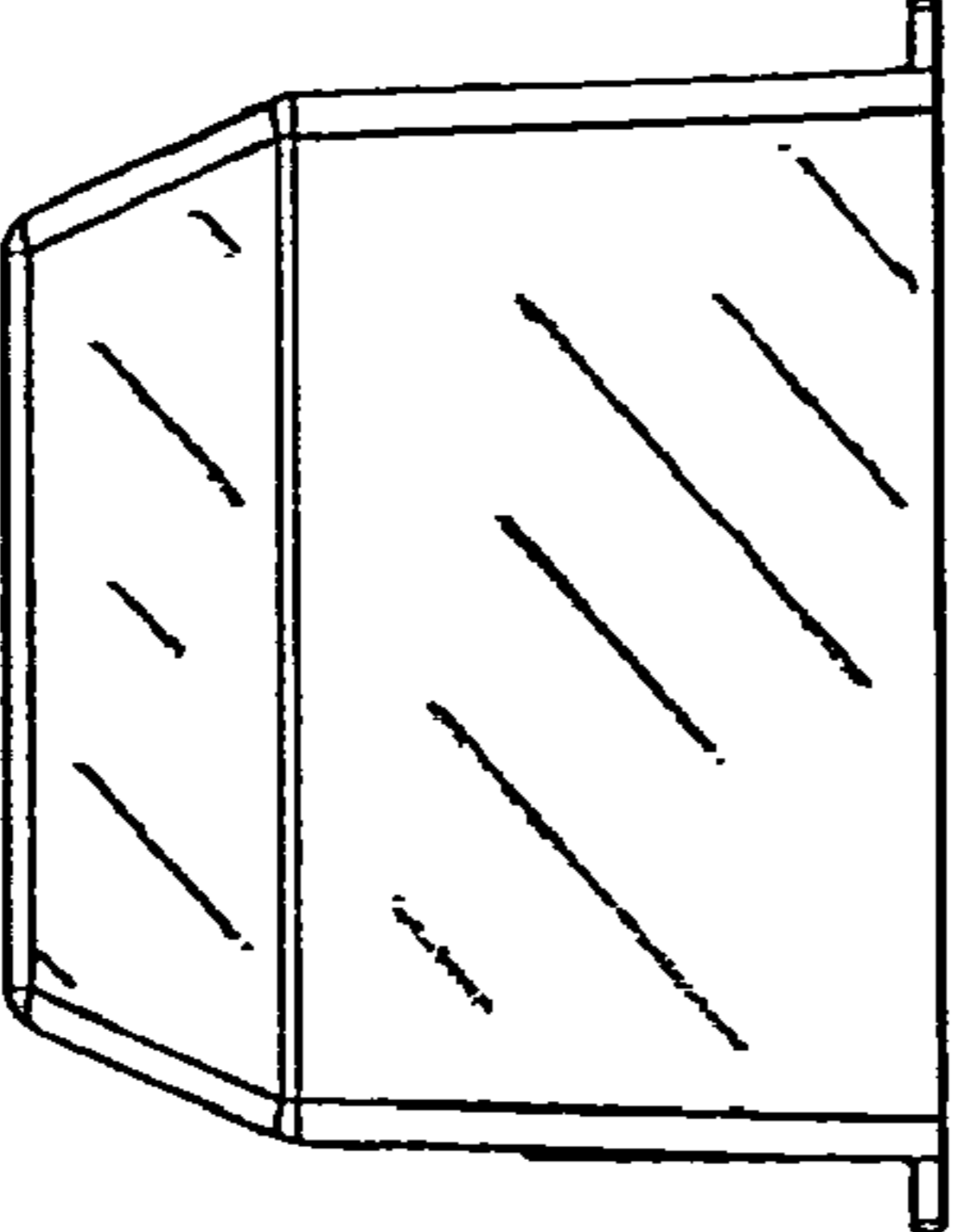


Fig. 6



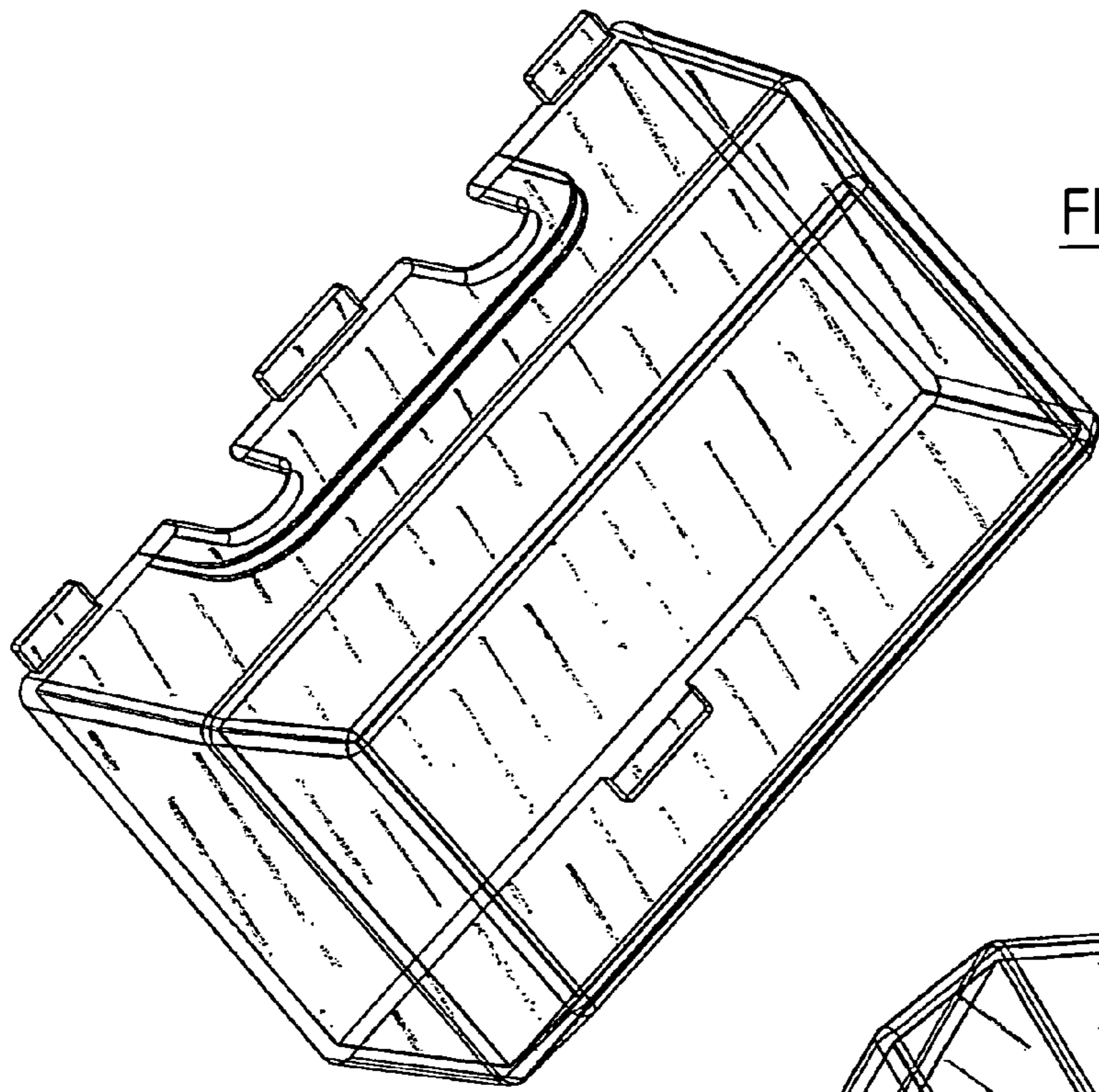


FIG. 7

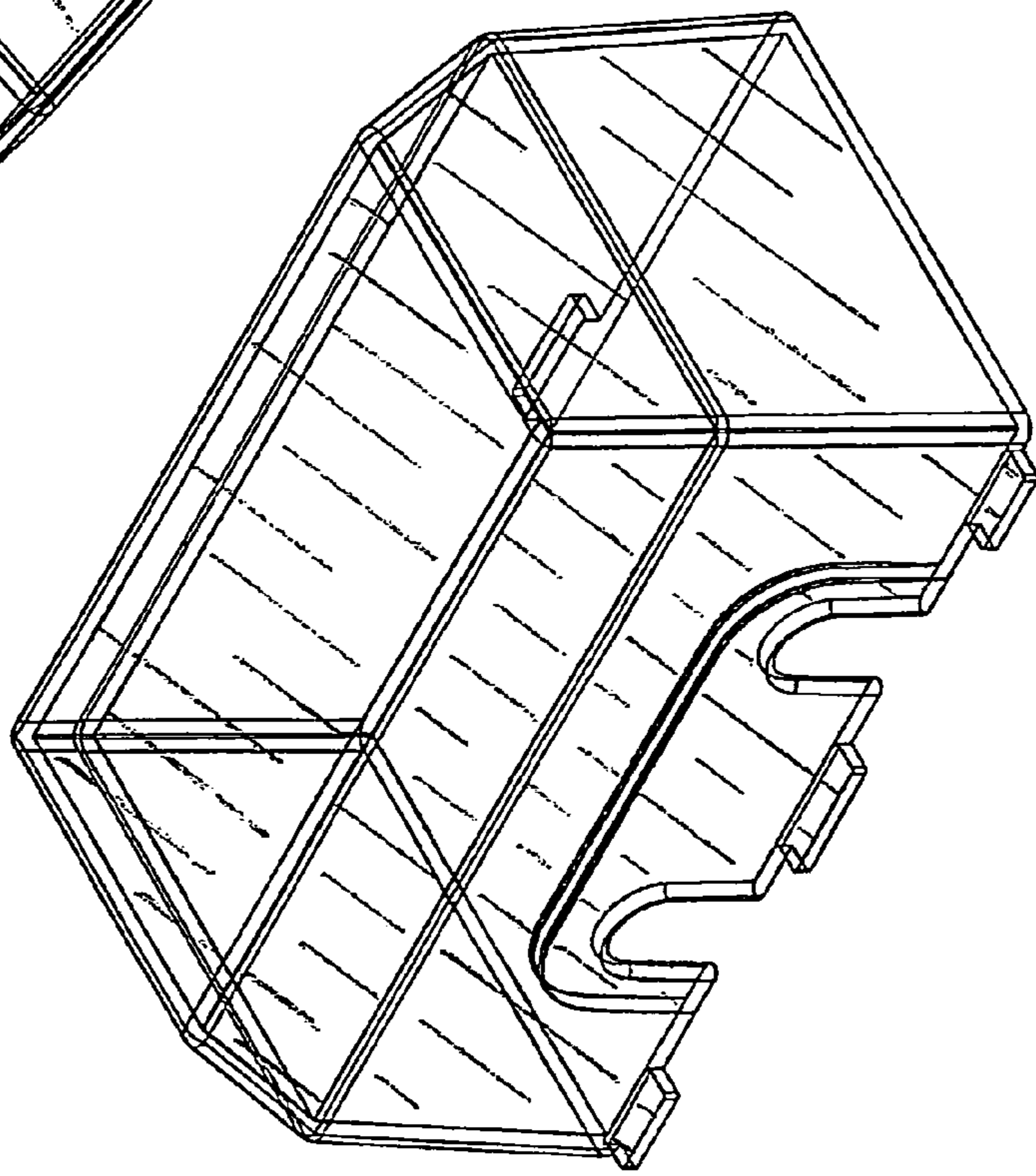


FIG. 8