



US00D678211S

(12) **United States Design Patent**  
**Chen**

(10) **Patent No.:** **US D678,211 S**

(45) **Date of Patent:** **\*\* Mar. 19, 2013**

(54) **ELECTRICAL CONNECTOR**

(75) Inventor: **Johnny Chen, Sindian (TW)**

(73) Assignee: **Willis Electric Co., Ltd., Taipei (TW)**

(\*\*) Term: **14 Years**

(21) Appl. No.: **29/388,785**

(22) Filed: **Apr. 1, 2011**

(51) **LOC (9) Cl.** ..... **13-03**

(52) **U.S. Cl.** ..... **D13/149**

(58) **Field of Classification Search** ..... D13/133,  
D13/146, 147, 151, 153, 154, 184, 199; 439/409,  
439/412, 417, 441, 709, 715, 716, 717, 721,  
439/729, 835, 260, 329, 492, 495, 570, 68,  
439/73, 135, 331, 526, 862

See application file for complete search history.

(56) **References Cited**

**U.S. PATENT DOCUMENTS**

D234,695	S	*	4/1975	Anderson	.....	D13/149
4,493,523	A		1/1985	Leong et al.		
4,859,205	A		8/1989	Fritz		
5,033,976	A		7/1991	Sarian et al.		
5,586,905	A		12/1996	Marshall et al.		
5,921,806	A		7/1999	Shuey		
6,111,201	A		8/2000	Drane et al.		
6,544,070	B1		4/2003	Radliff		
D486,385	S		2/2004	Smith-Kielland et al.		
D505,921	S	*	6/2005	Ma	.....	D13/149
D509,476	S	*	9/2005	Ma et al.	.....	D13/149
D588,996	S	*	3/2009	Grimm	.....	D13/149
D603,340	S	*	11/2009	Grimm	.....	D13/149
7,695,298	B2		4/2010	Arndt et al.		
D621,366	S	*	8/2010	Browder	.....	D13/149

D631,847	S	*	2/2011	Ma et al.	.....	D13/154
D651,179	S	*	12/2011	Browder	.....	D13/149
2004/0175974	A1	*	9/2004	Ma et al.	.....	439/135
2004/0242046	A1	*	12/2004	Ohtsuki et al.	.....	439/329

\* cited by examiner

*Primary Examiner* — Thomas Johannes

(74) *Attorney, Agent, or Firm* — Patterson Thuent  
Christensen Pedersen, P.A.

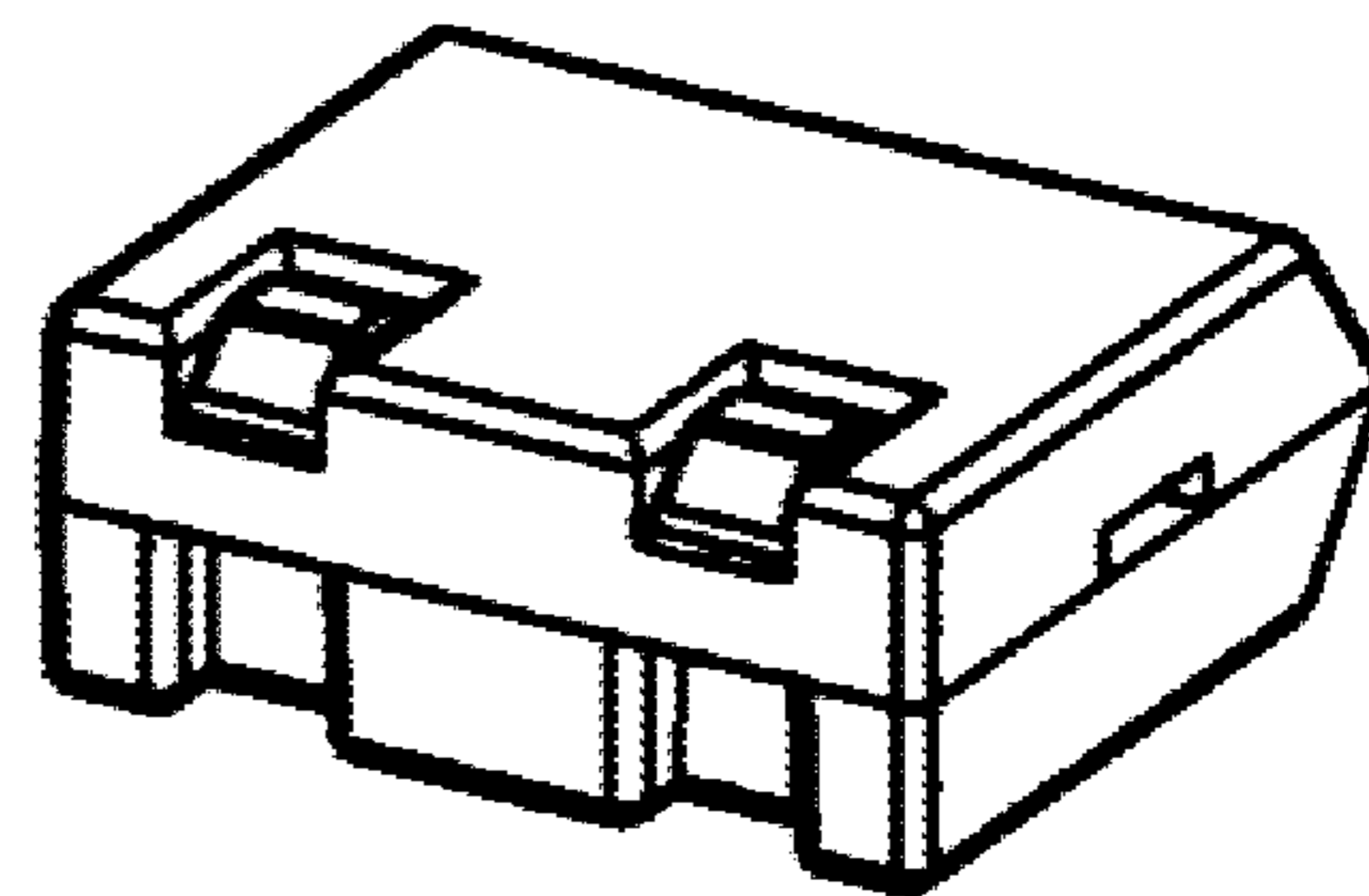
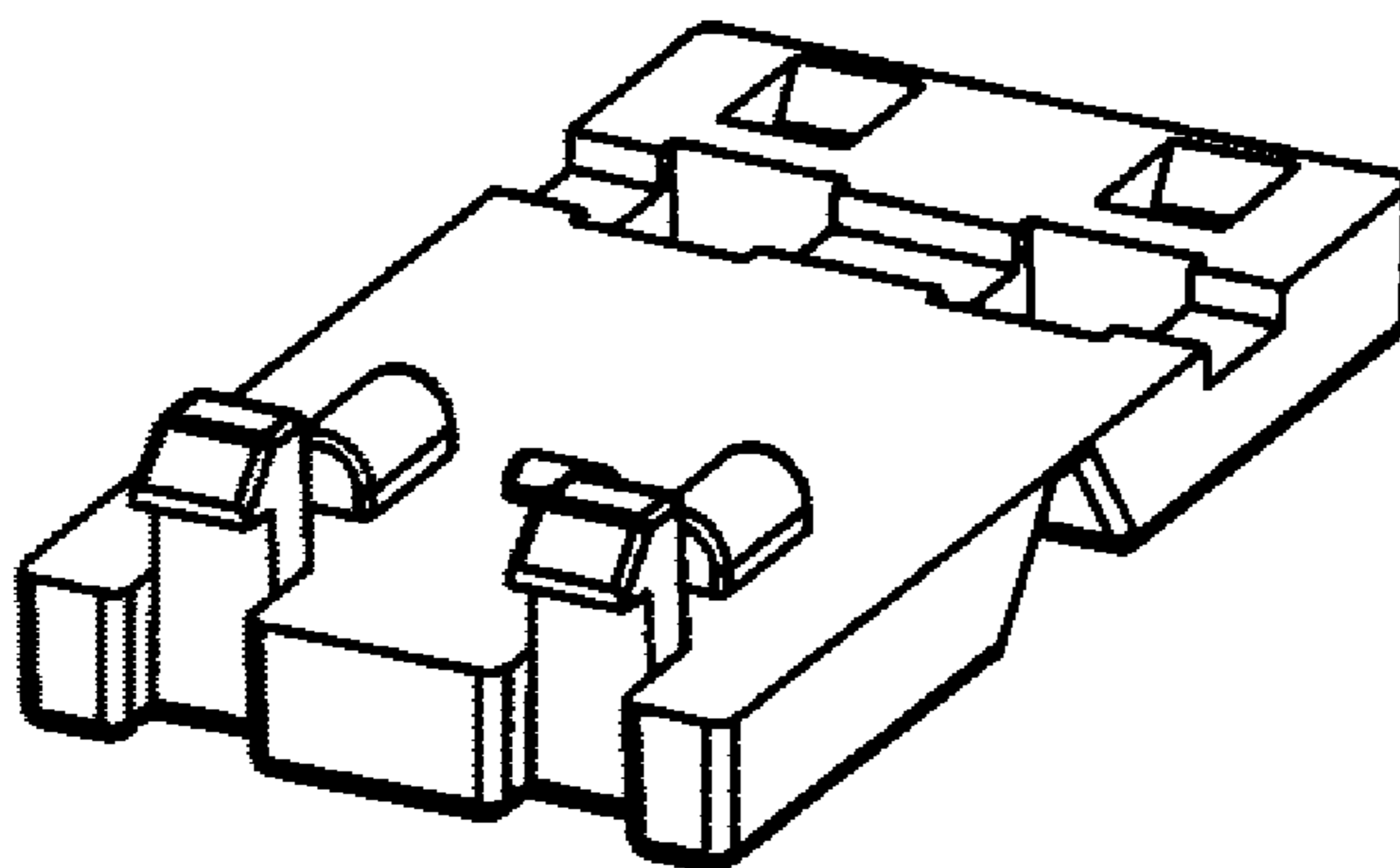
(57) **CLAIM**

I claim the ornamental design for an electrical connector, as shown and described.

**DESCRIPTION**

FIG. 1 is a top plan view of an electrical connector showing of my new design;  
 FIG. 2 is a front elevation view thereof;  
 FIG. 3 is a rear elevation view thereof;  
 FIG. 4 is a right-side elevation view thereof;  
 FIG. 5 is a left-side elevation view thereof;  
 FIG. 6 is a top plan view thereof;  
 FIG. 7 is a front, top perspective view thereof;  
 FIG. 8 is a front, bottom perspective view thereof;  
 FIG. 9 is a top plan view thereof in a closed position;  
 FIG. 10 is a right-side elevation view thereof, in a closed position;  
 FIG. 11 is a left-side view thereof, in a closed position;  
 FIG. 12 is a front view thereof, in a closed position;  
 FIG. 13 is a rear view thereof, in a closed position;  
 FIG. 14 is a bottom view thereof, in a closed position;  
 FIG. 15 is a front perspective view thereof, in a closed position; and,  
 FIG. 16 is a rear perspective view thereof, in a closed position.

**1 Claim, 2 Drawing Sheets**



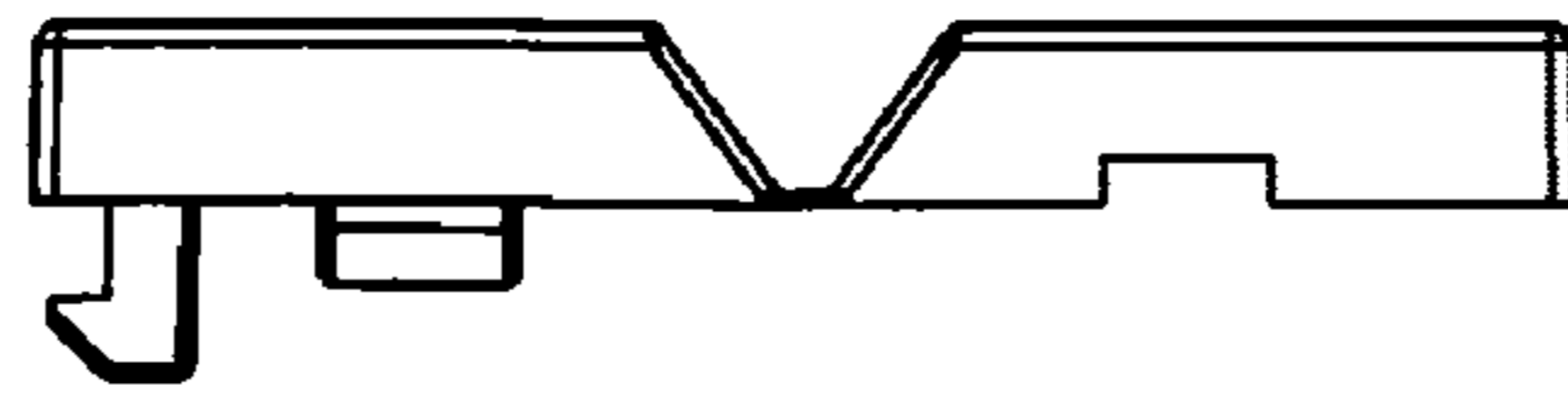


FIG. 5

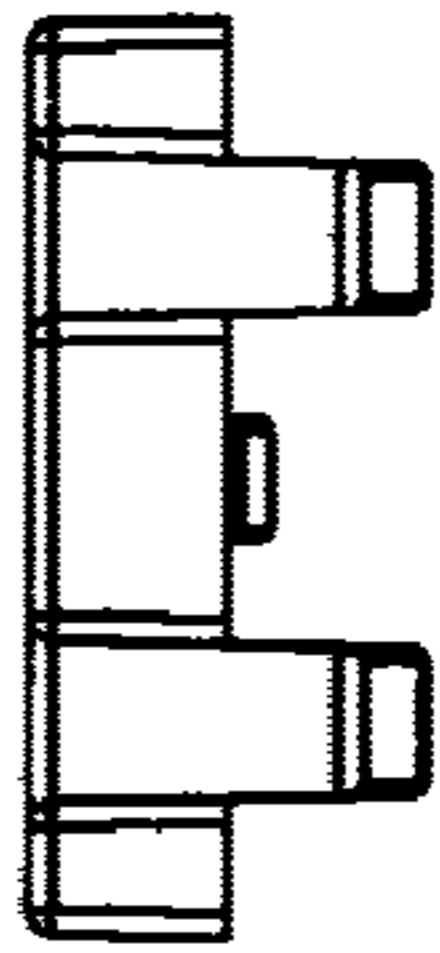


FIG. 2

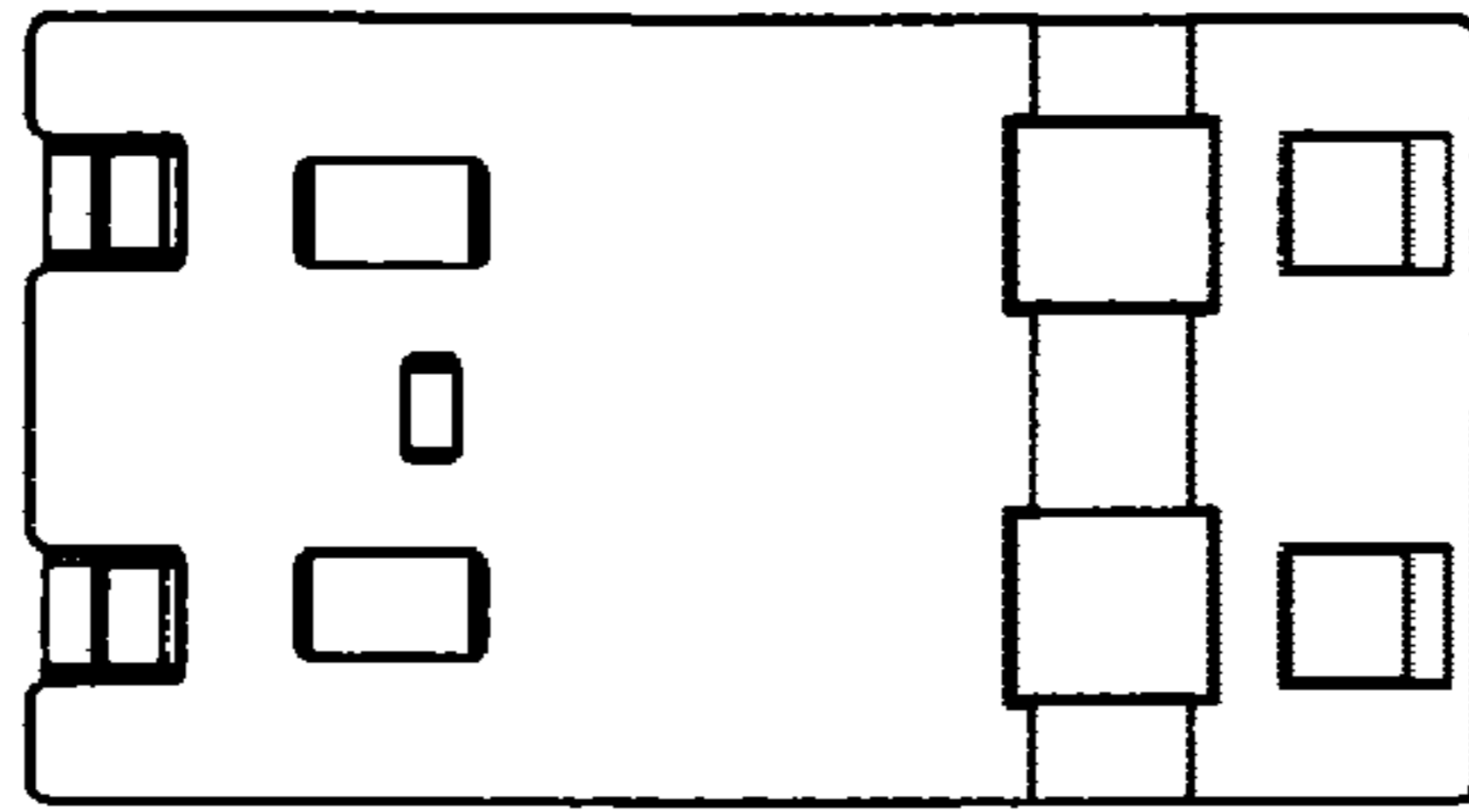


FIG. 1

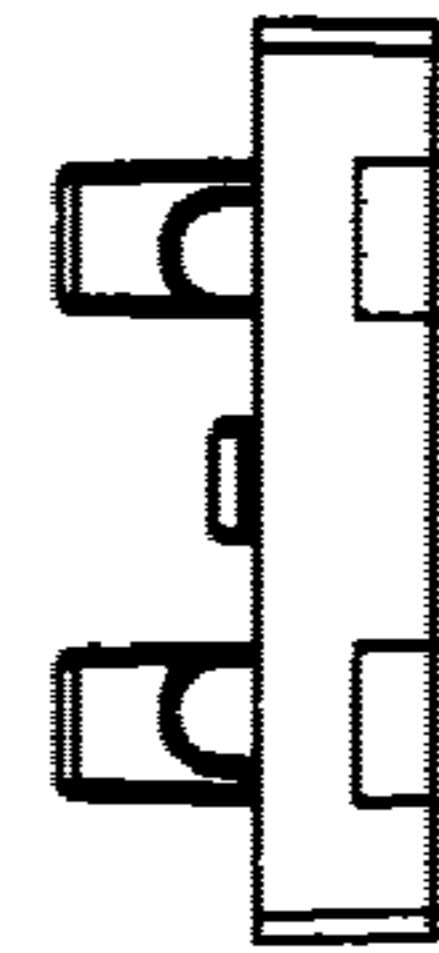


FIG. 3

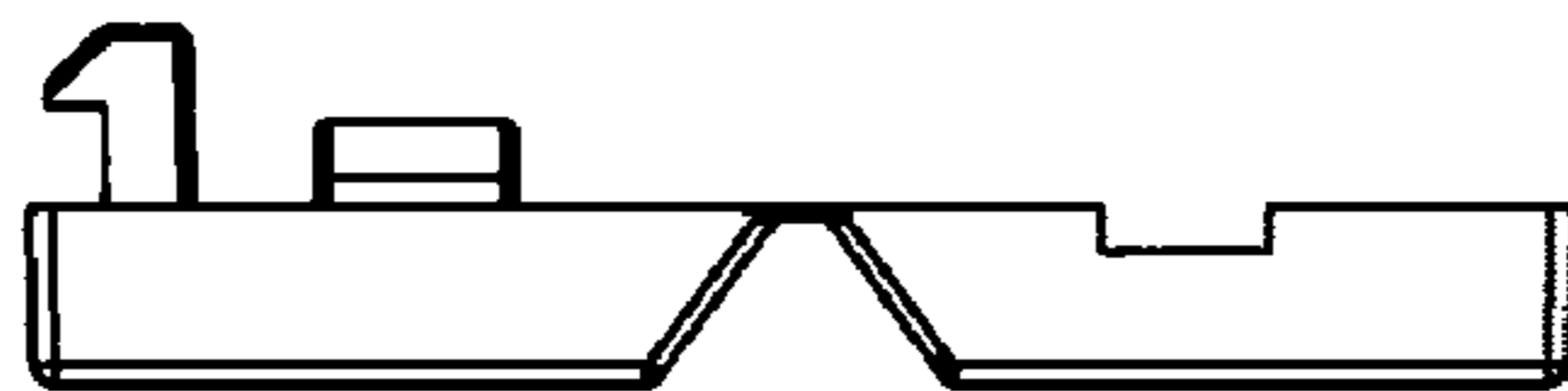


FIG. 4

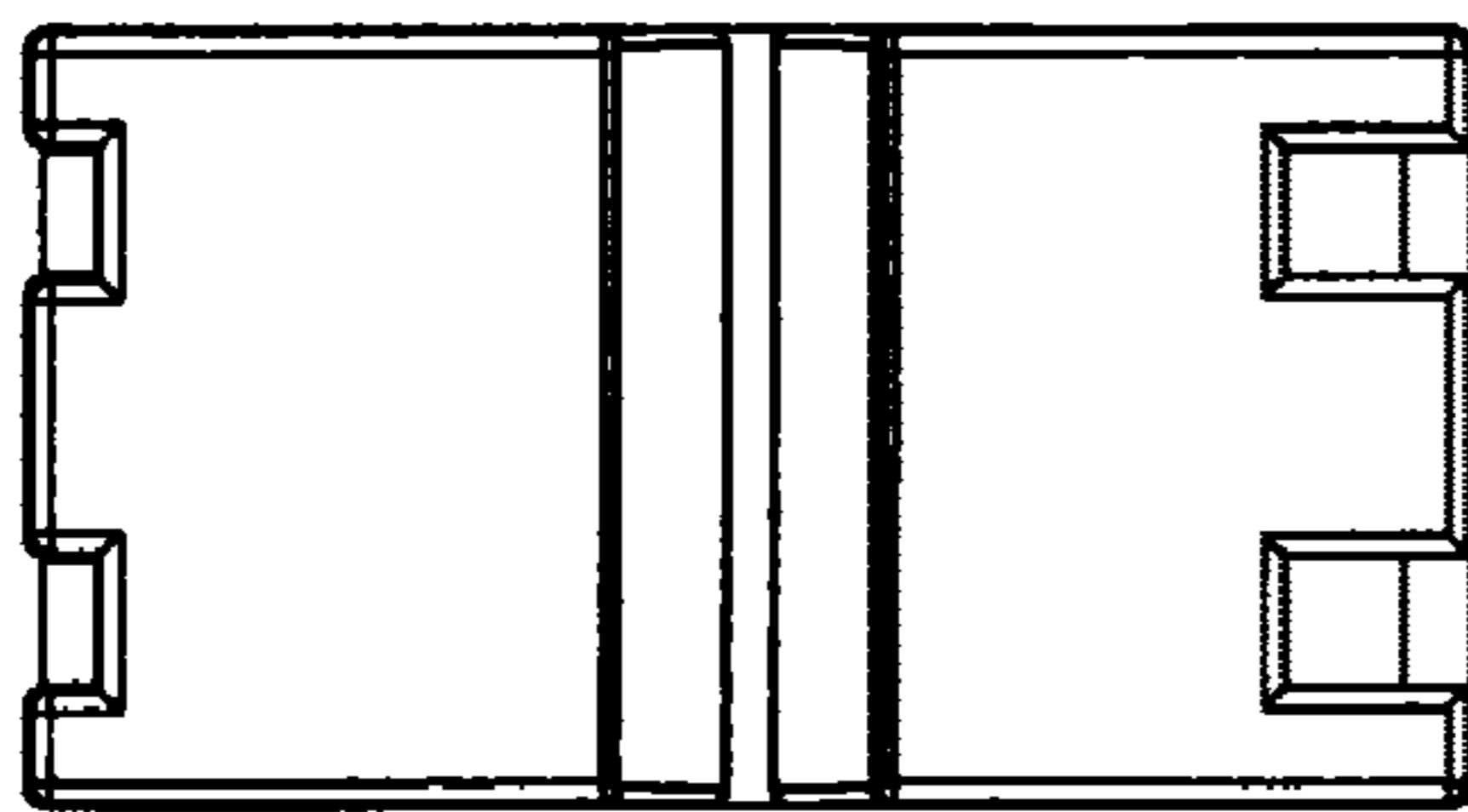


FIG. 6

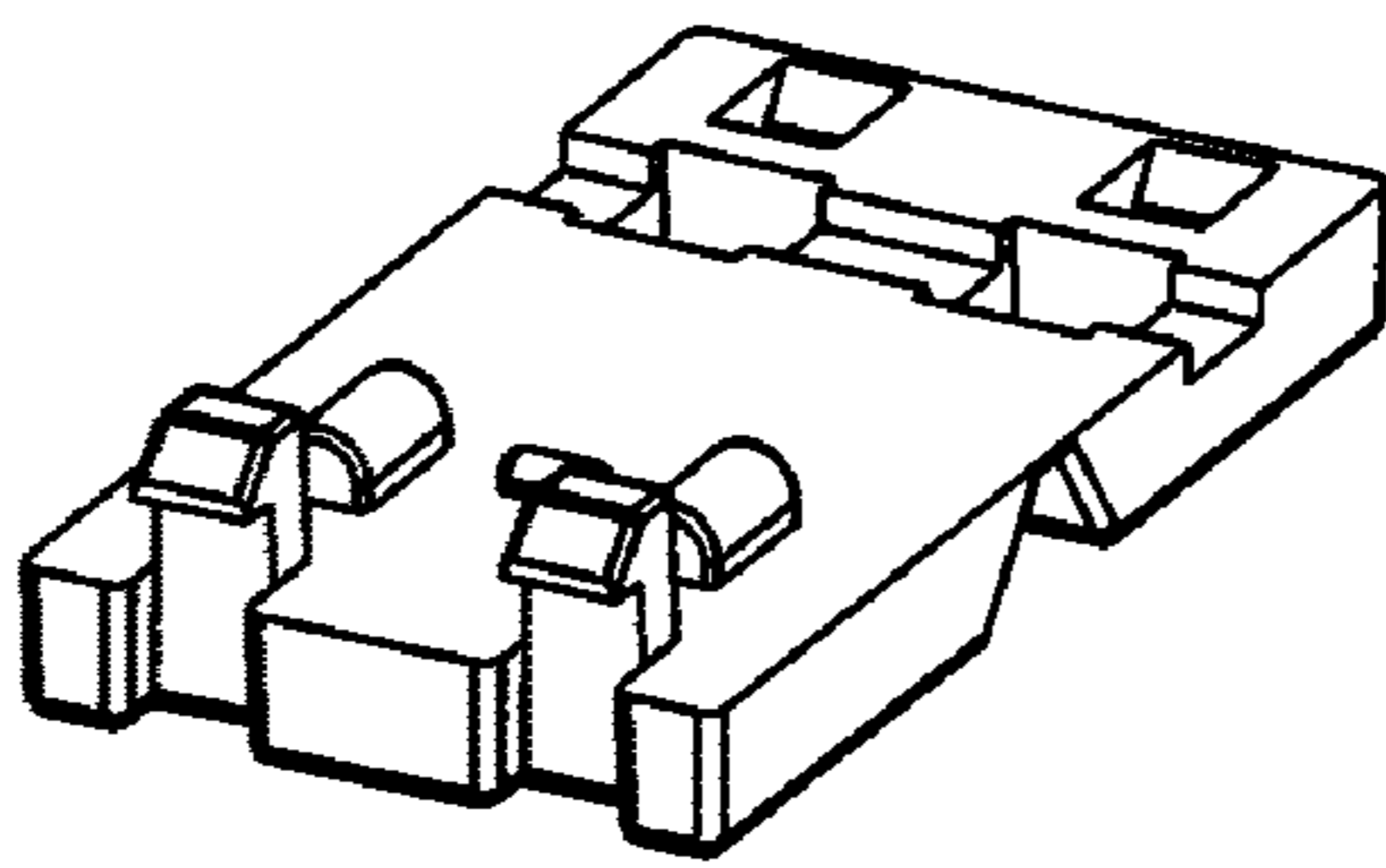


FIG. 7

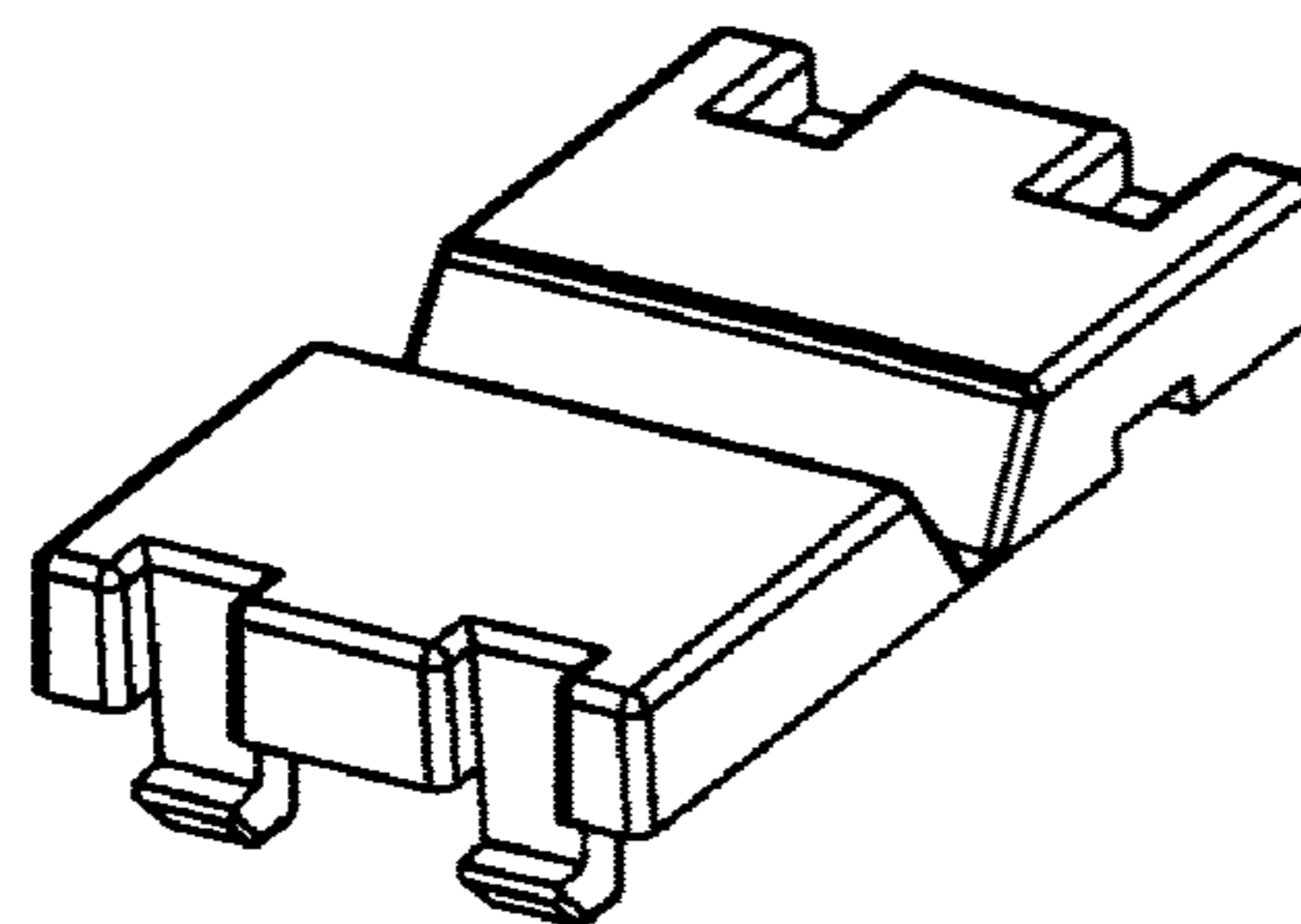


FIG. 8

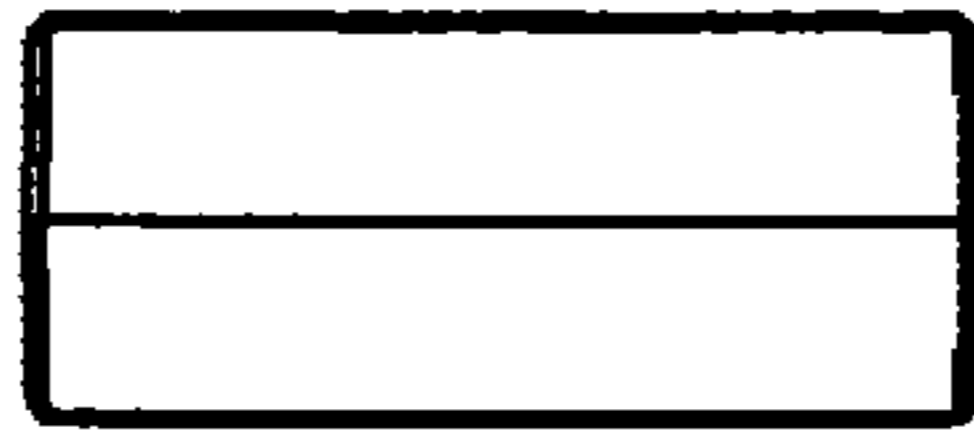


FIG. 13

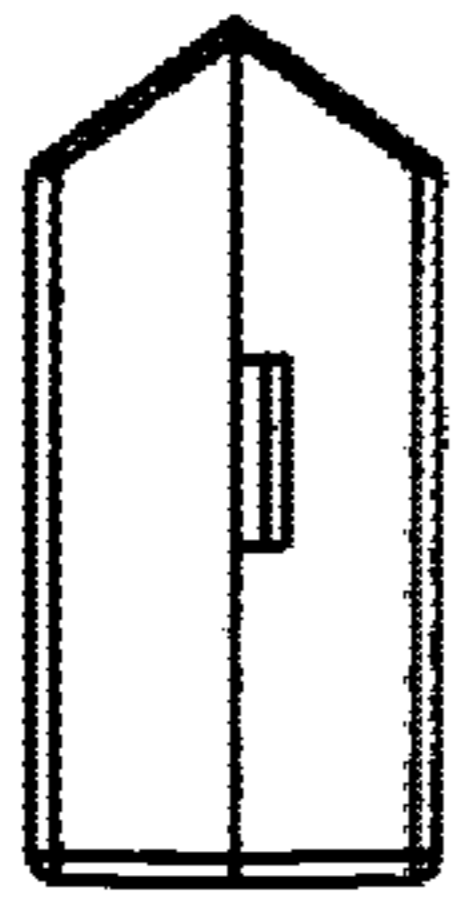


FIG. 10

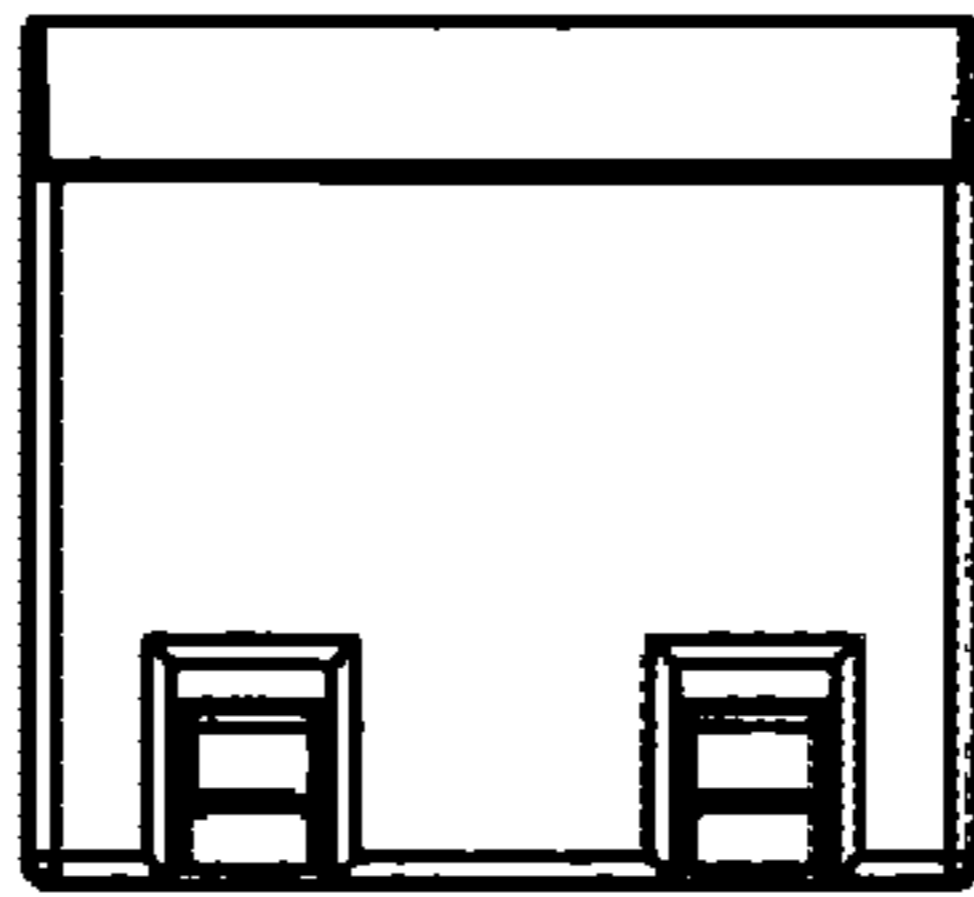


FIG. 9

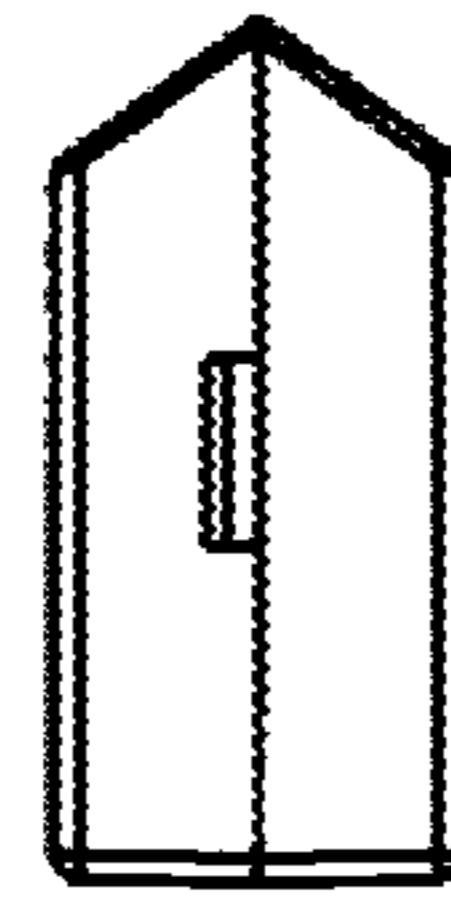


FIG. 11

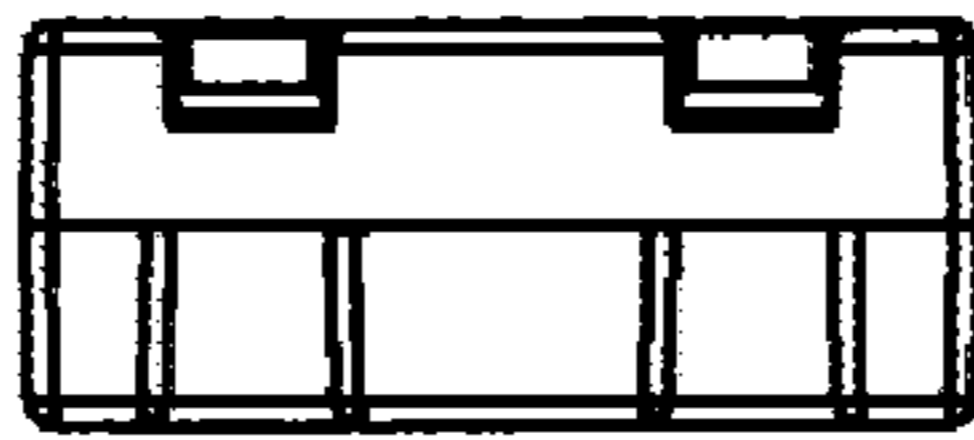


FIG. 12

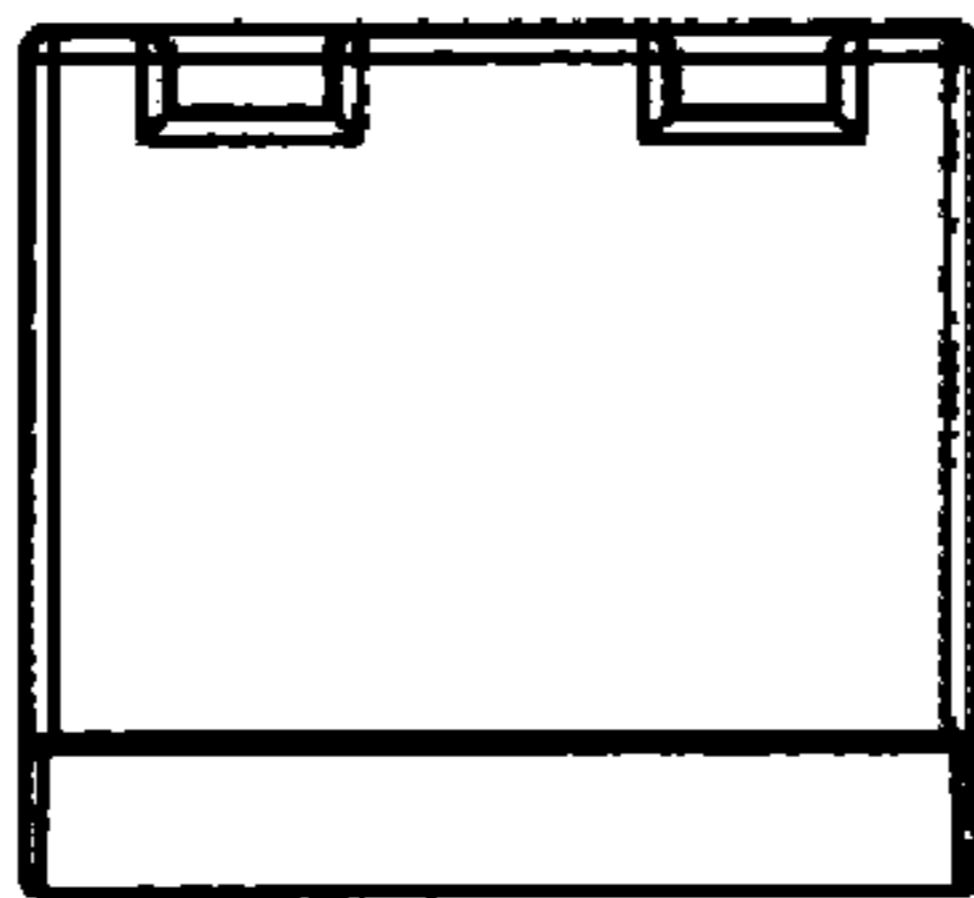


FIG. 14

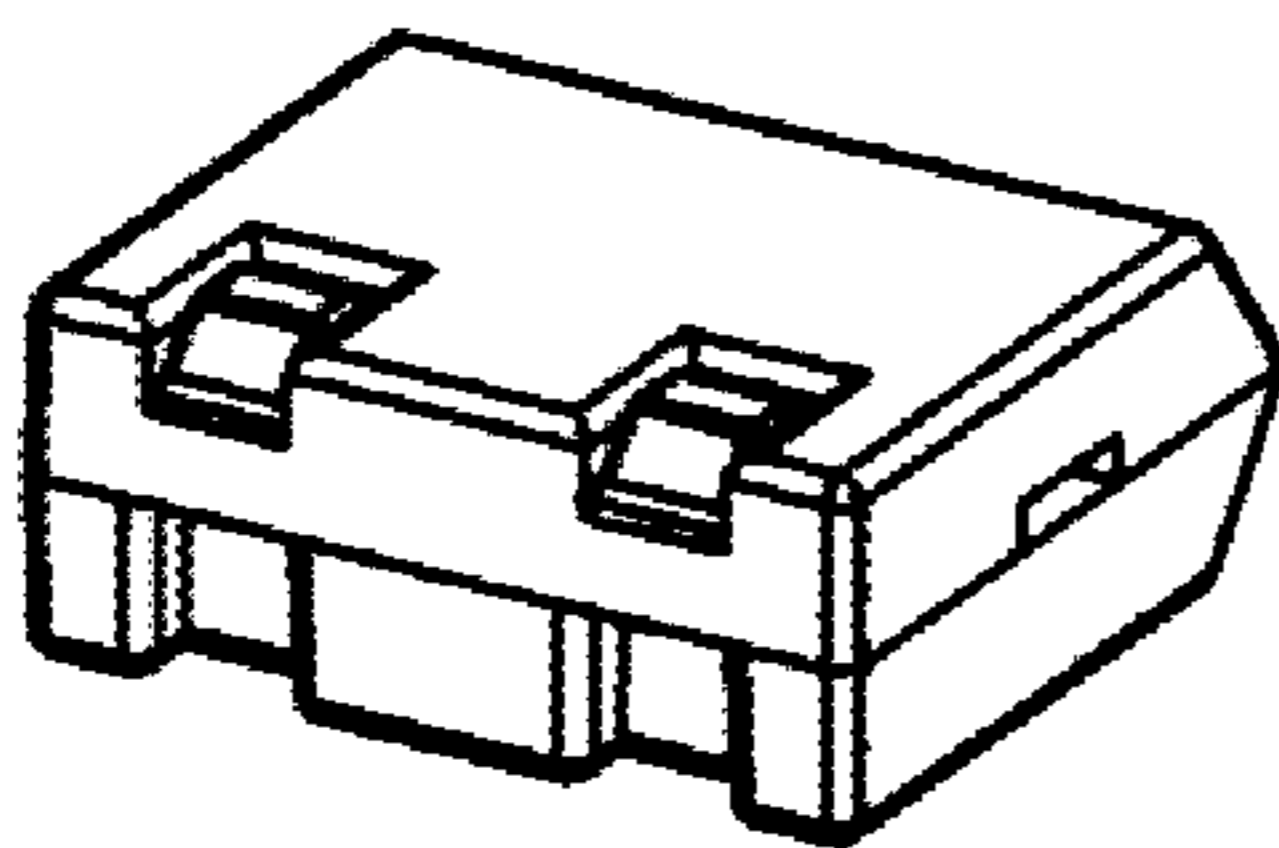


FIG. 15

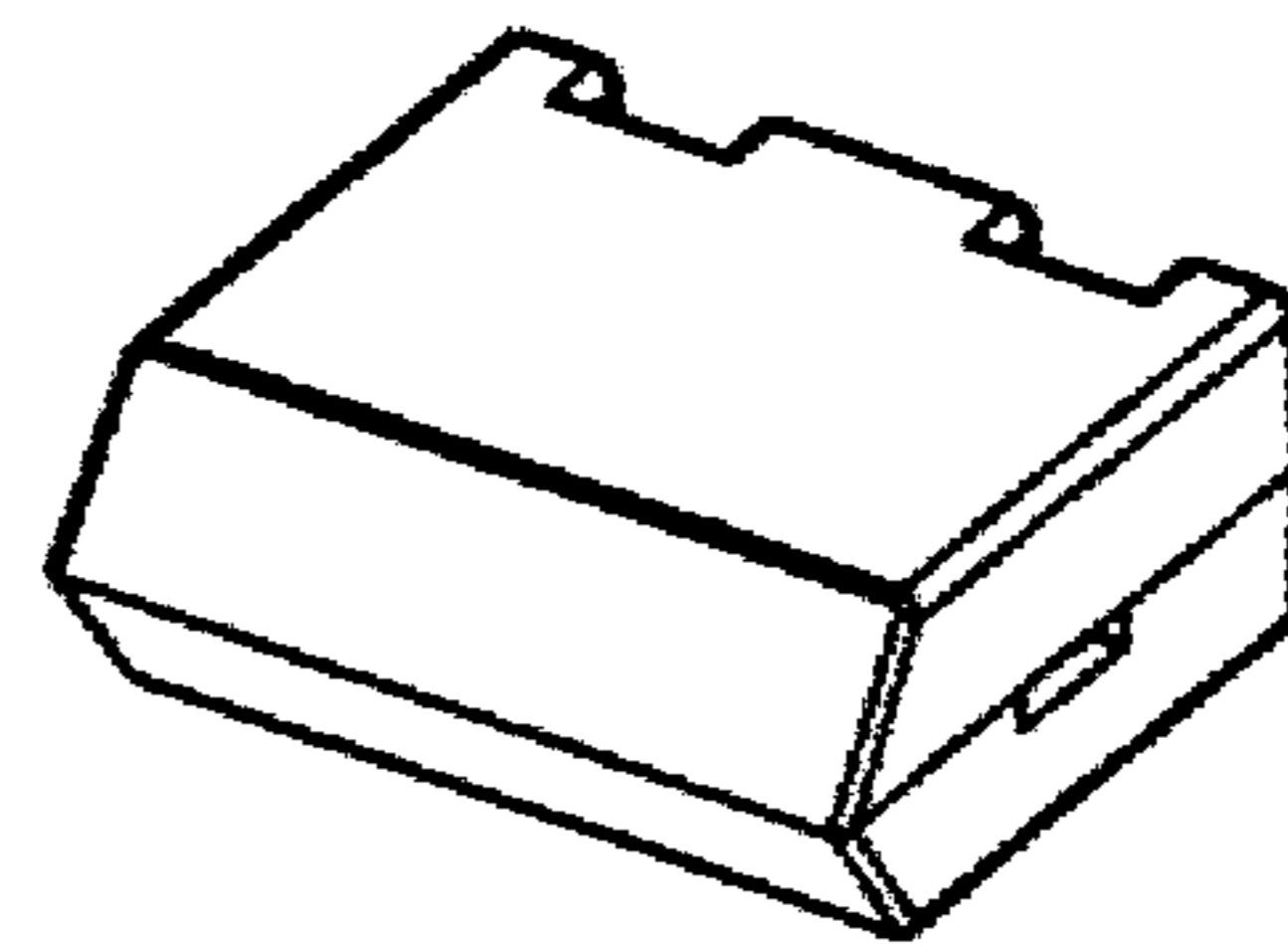


FIG. 16