



US00D678210S

(12) **United States Design Patent**
Masaki

(10) **Patent No.:** **US D678,210 S**
(45) **Date of Patent:** **** Mar. 19, 2013**

(54) **ELECTRICAL CONNECTOR**

(75) Inventor: **Youichirou Masaki**, Isesaki (JP)

(73) Assignee: **Hosiden Corporation**, Yao-Shi (JP)

(**) Term: **14 Years**

(21) Appl. No.: **29/401,772**

(22) Filed: **Sep. 15, 2011**

(30) **Foreign Application Priority Data**

Apr. 8, 2011 (JP) 2011-008088

(51) **LOC (9) Cl.** **13-03**

(52) **U.S. Cl.** **D13/147**

(58) **Field of Classification Search** D13/133,
D13/147, 154, 184, 199; 439/79, 108, 180,
439/246, 374, 488, 527, 529, 530, 533, 540.1,
439/541.5, 607.1, 607.4, 607.5, 607.17, 607.25,
439/607.34, 607.41, 607.53, 660, 676, 680,
439/883, 891, 892, 894

See application file for complete search history.

(56) **References Cited**

U.S. PATENT DOCUMENTS

D482,002 S * 11/2003 Suzuki et al. D13/147
D524,746 S * 7/2006 Lai D13/147

D550,162 S * 9/2007 Lai et al. D13/147
D553,090 S * 10/2007 Lai et al. D13/147
D569,804 S * 5/2008 Huang et al. D13/147
D611,424 S * 3/2010 Arai et al. D13/147
D649,940 S * 12/2011 Arai et al. D13/147
D650,759 S * 12/2011 Arai et al. D13/147

* cited by examiner

Primary Examiner — Daniel Bui

(74) *Attorney, Agent, or Firm* — Rankin, Hill & Clark LLP

(57) **CLAIM**

The ornamental design for an electrical connector, as shown and described.

DESCRIPTION

FIG. 1 is a front, right side and top perspective view of an electrical connector showing my new design;
FIG. 2 is a front, right side and bottom perspective view thereof;
FIG. 3 is a rear, right side and bottom perspective view thereof;
FIG. 4 is a front elevation view thereof;
FIG. 5 is a rear elevation view thereof;
FIG. 6 is a left side view thereof, a right side view being a mirror image thereof;
FIG. 7 is a top plan view thereof; and,
FIG. 8 is a bottom plan view thereof.

1 Claim, 4 Drawing Sheets

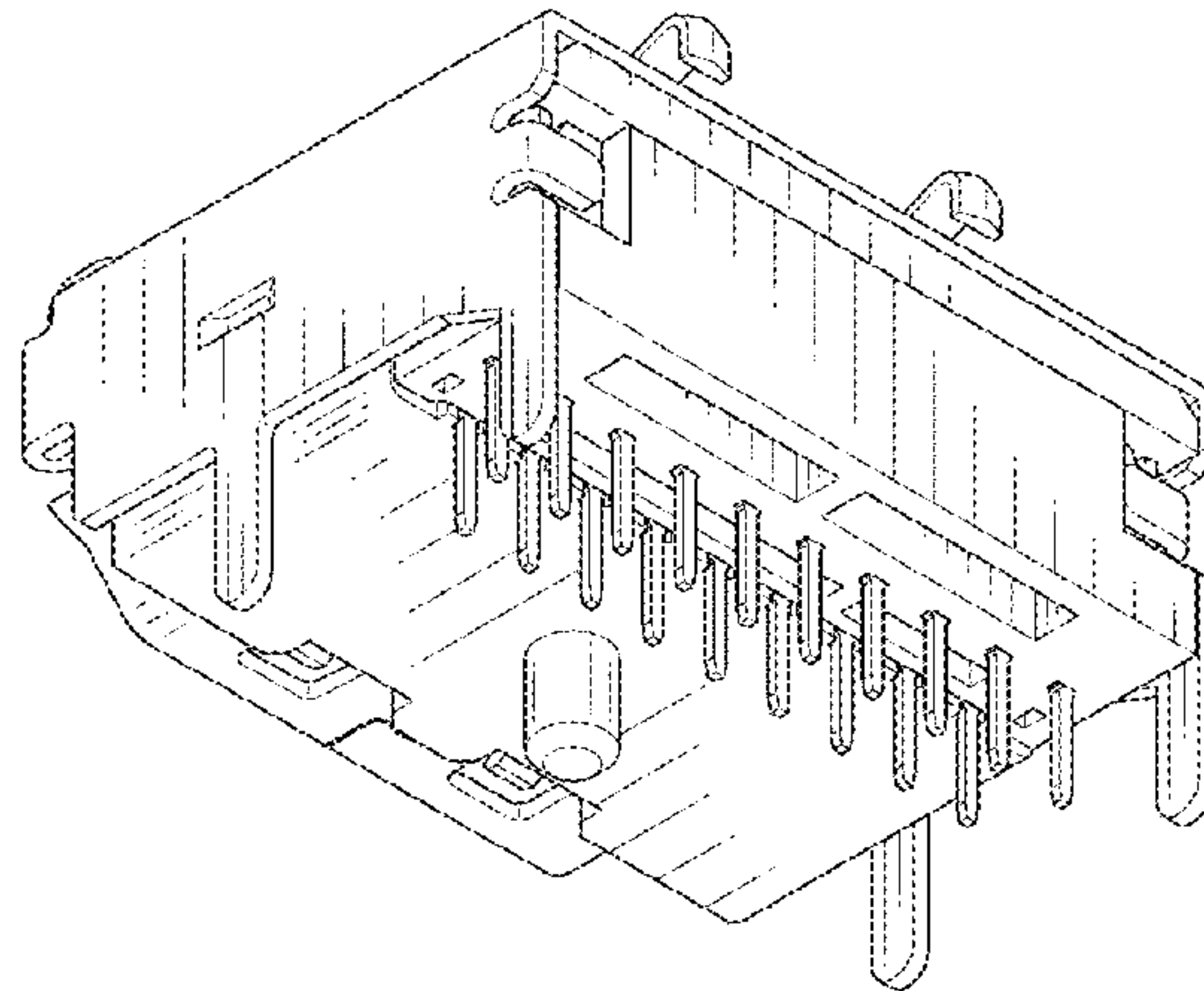
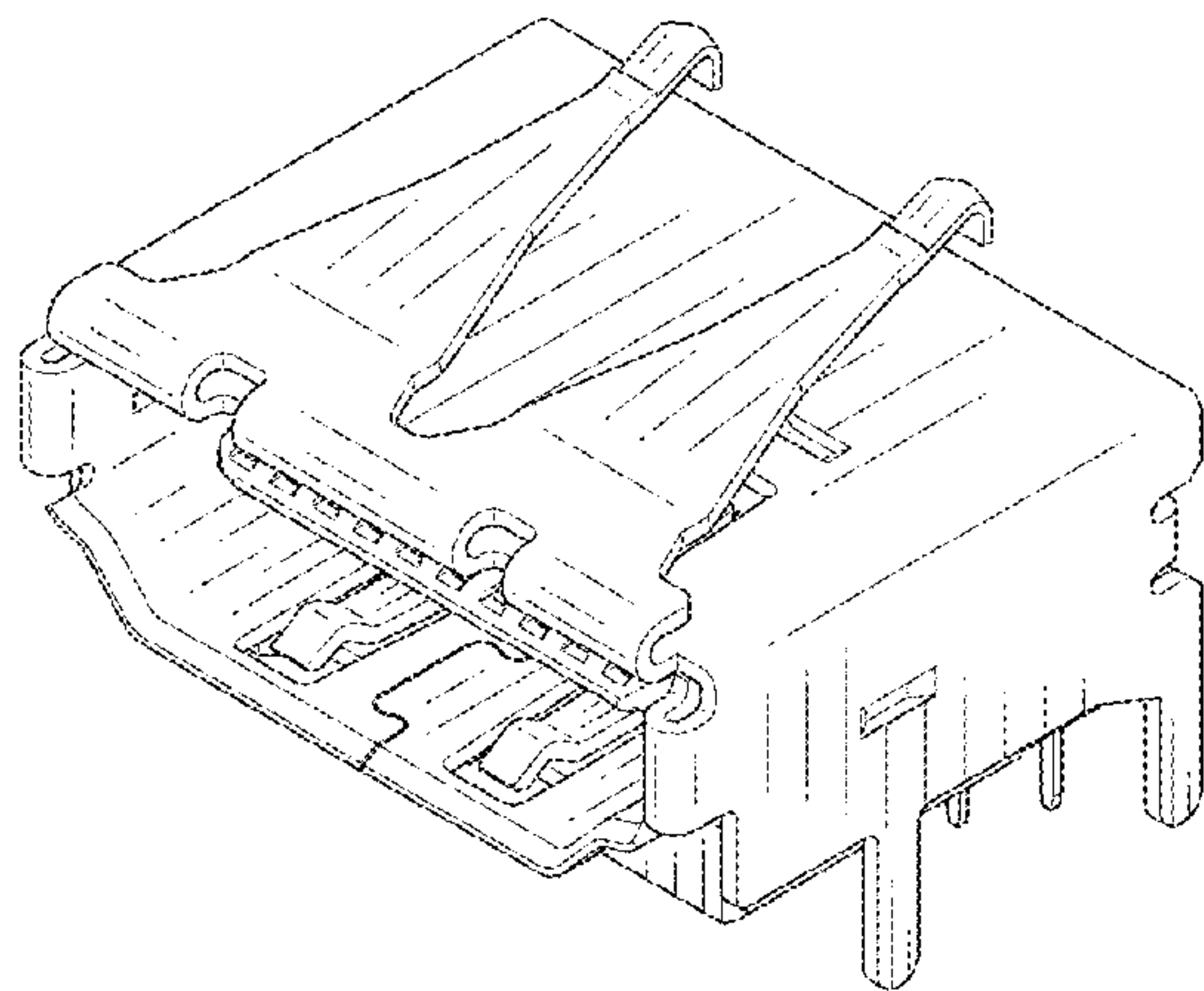


Fig. 1

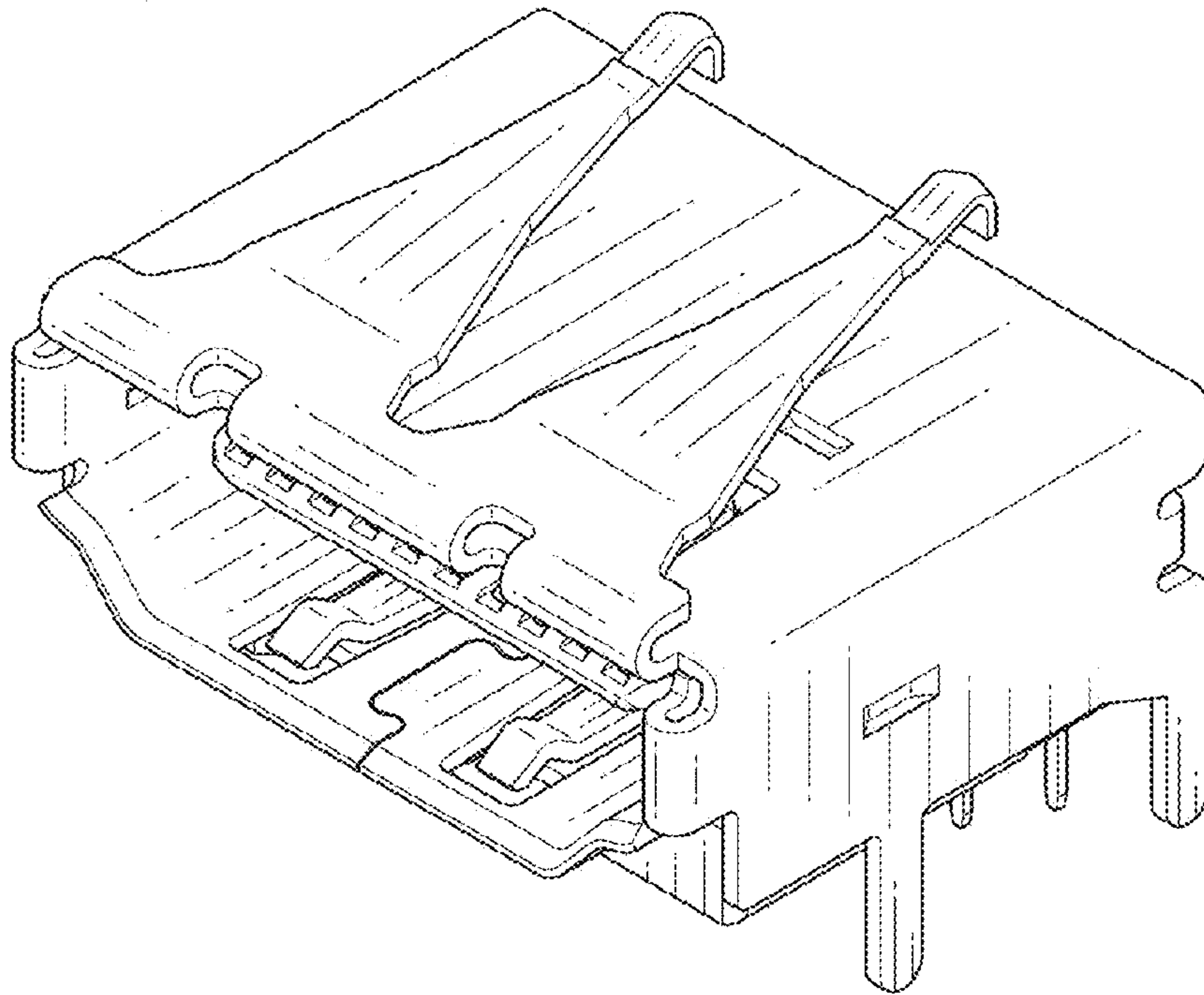


Fig. 2

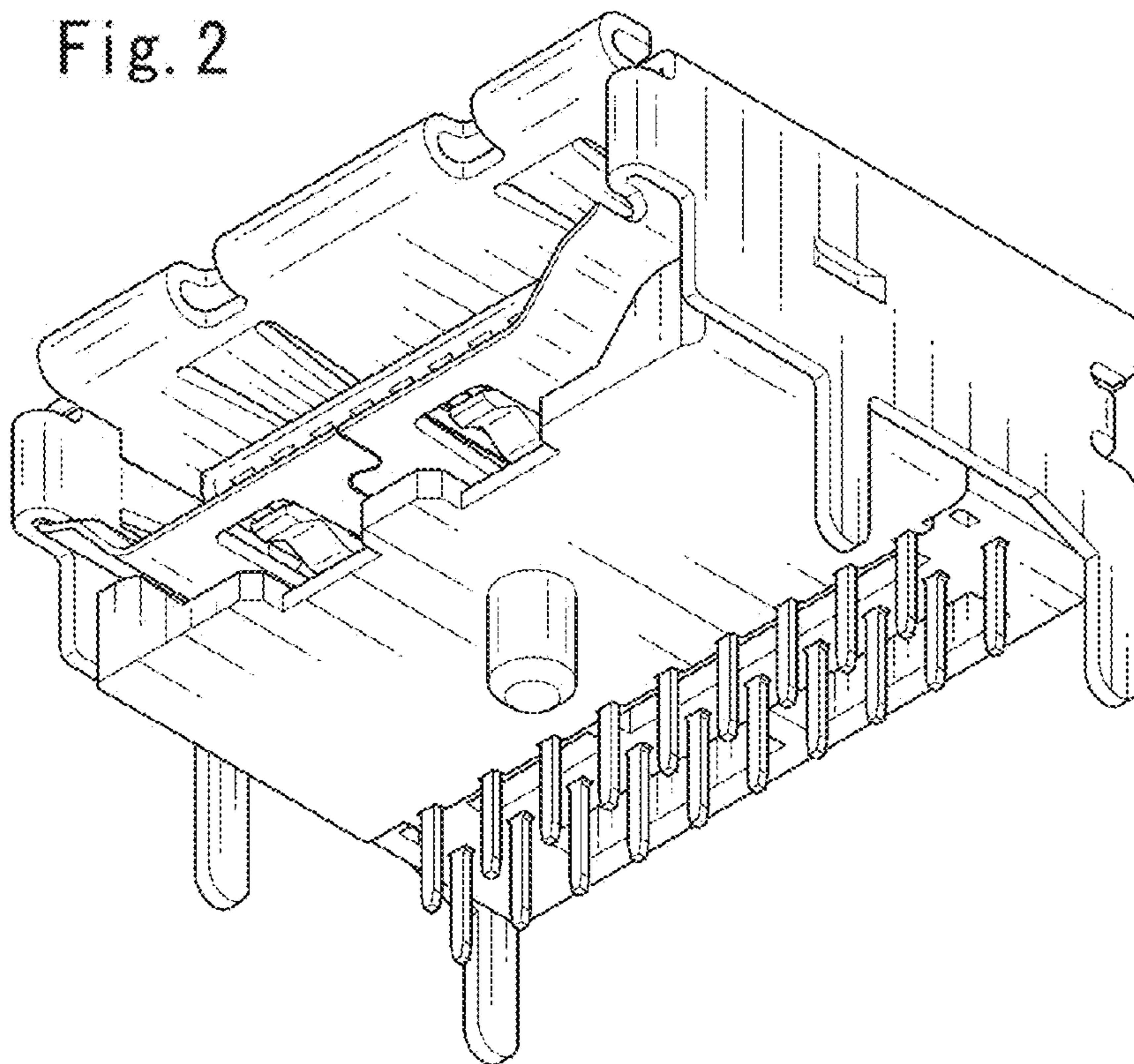


Fig. 3

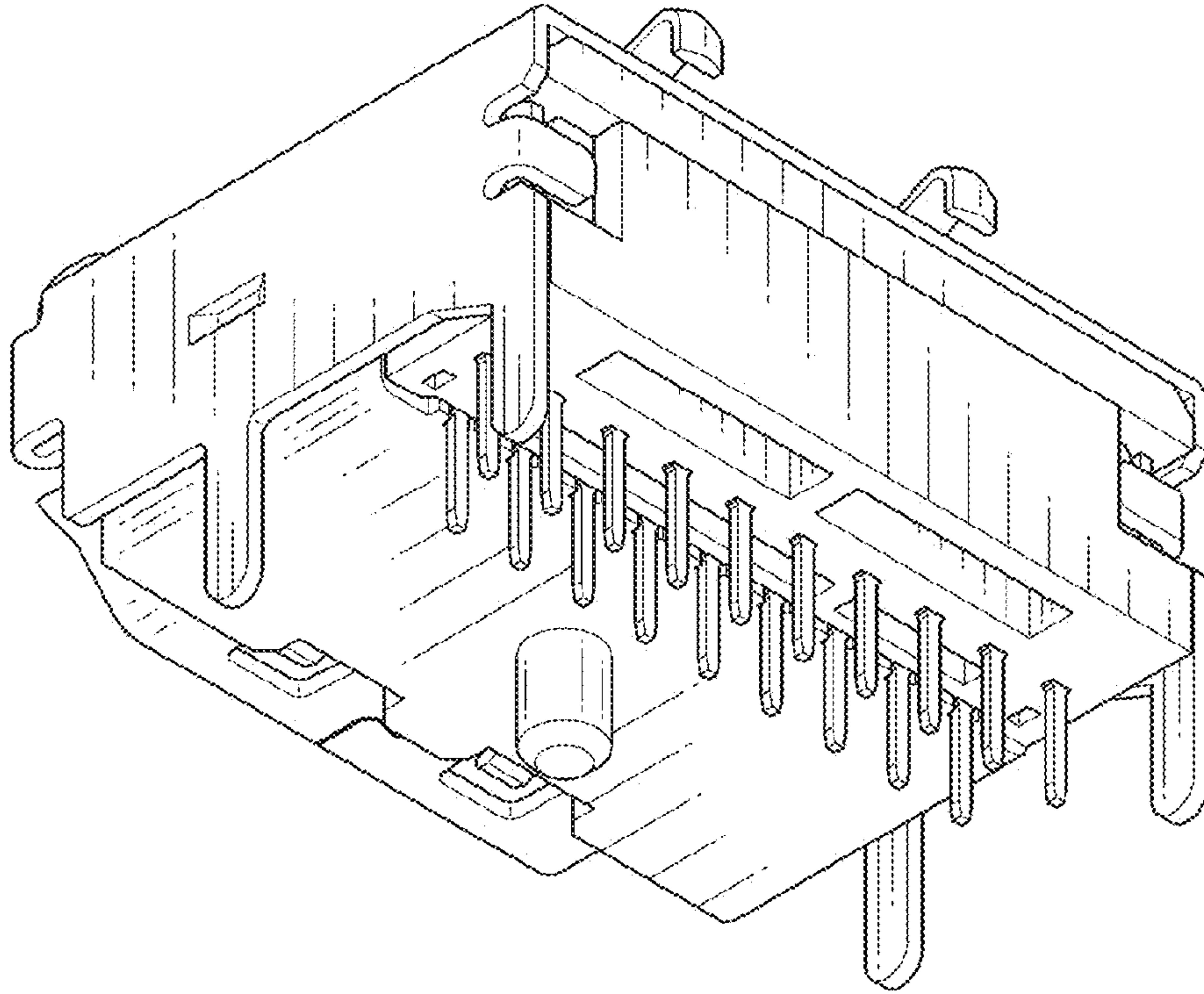


Fig. 4

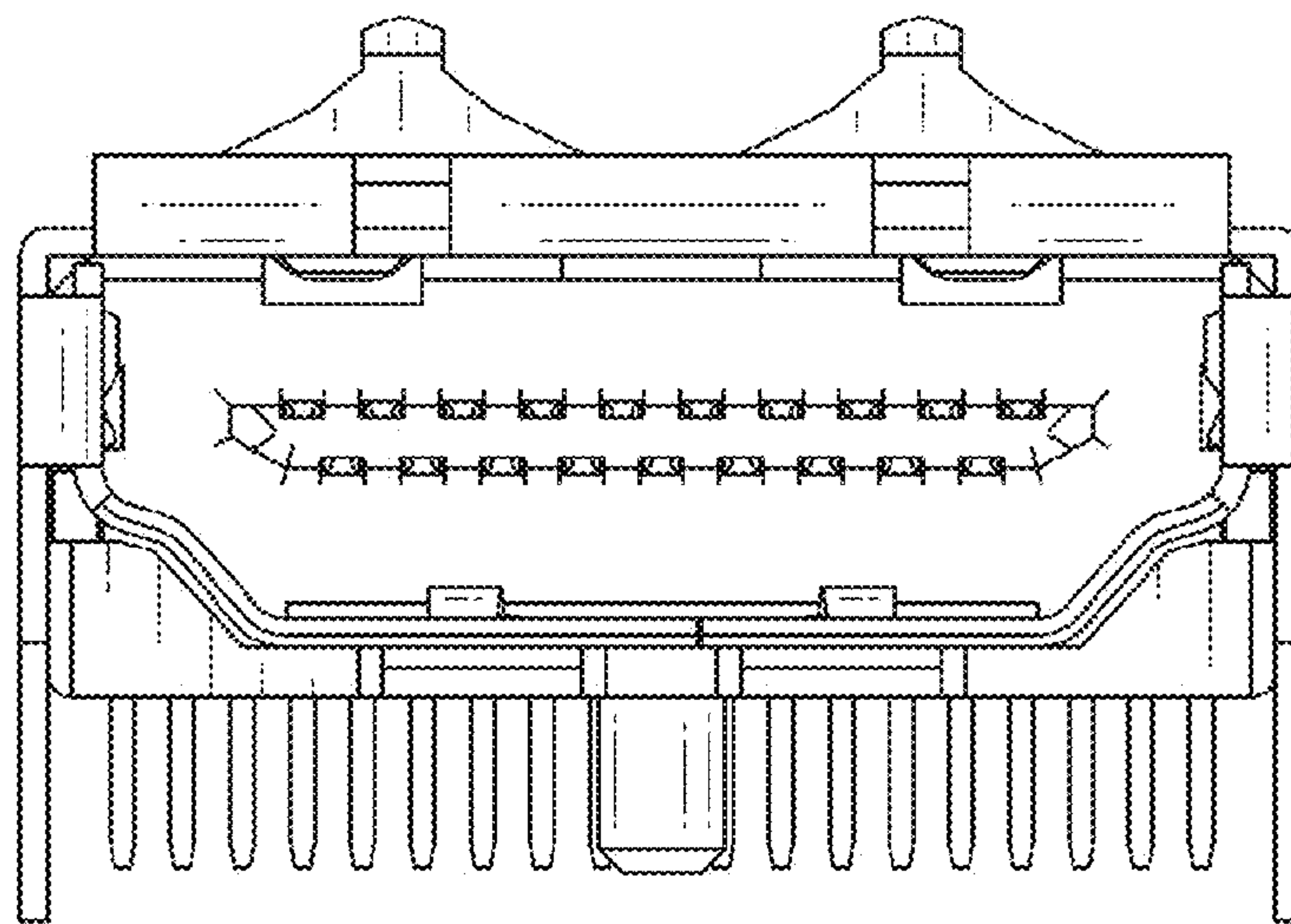


Fig. 5

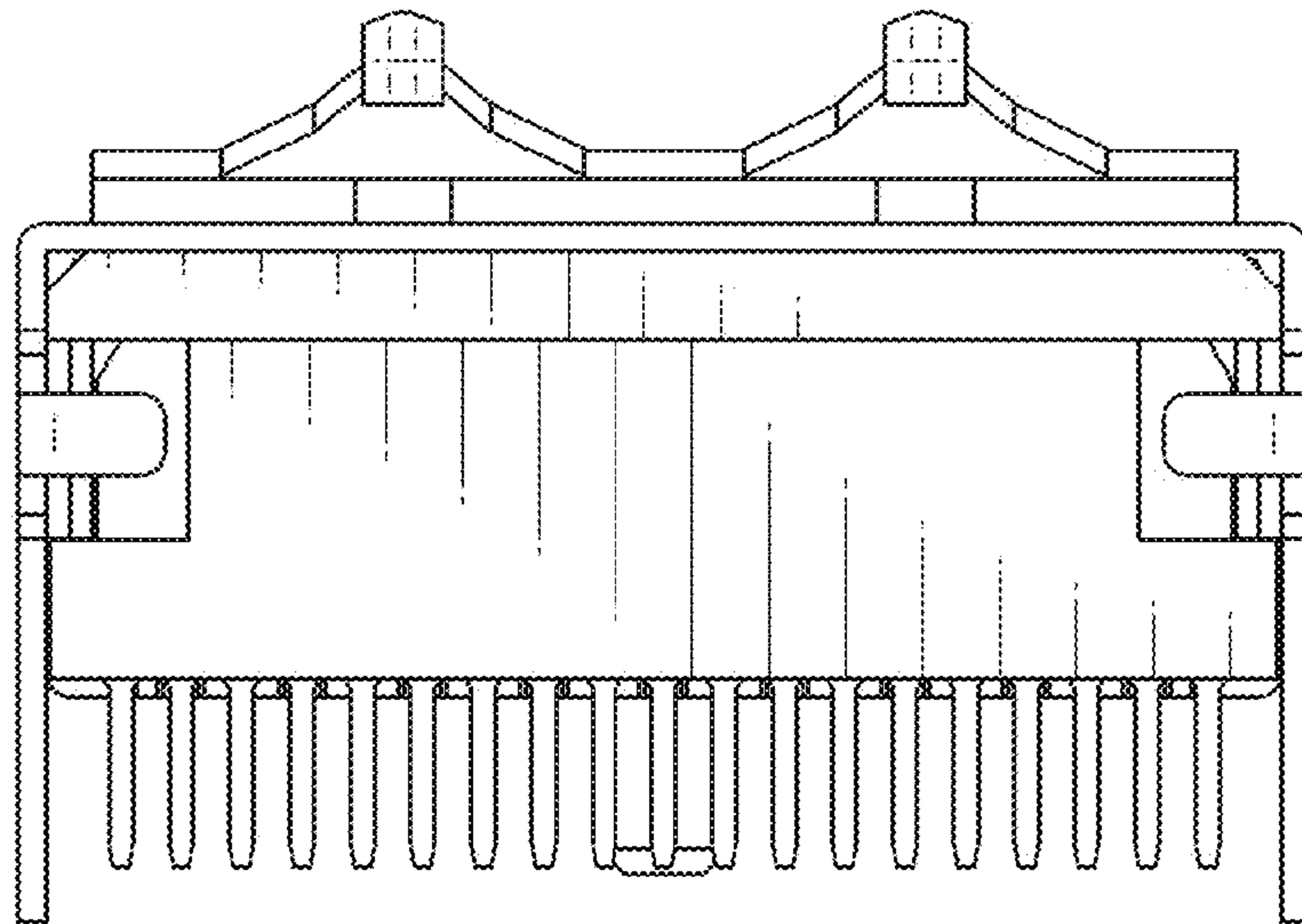


Fig. 6

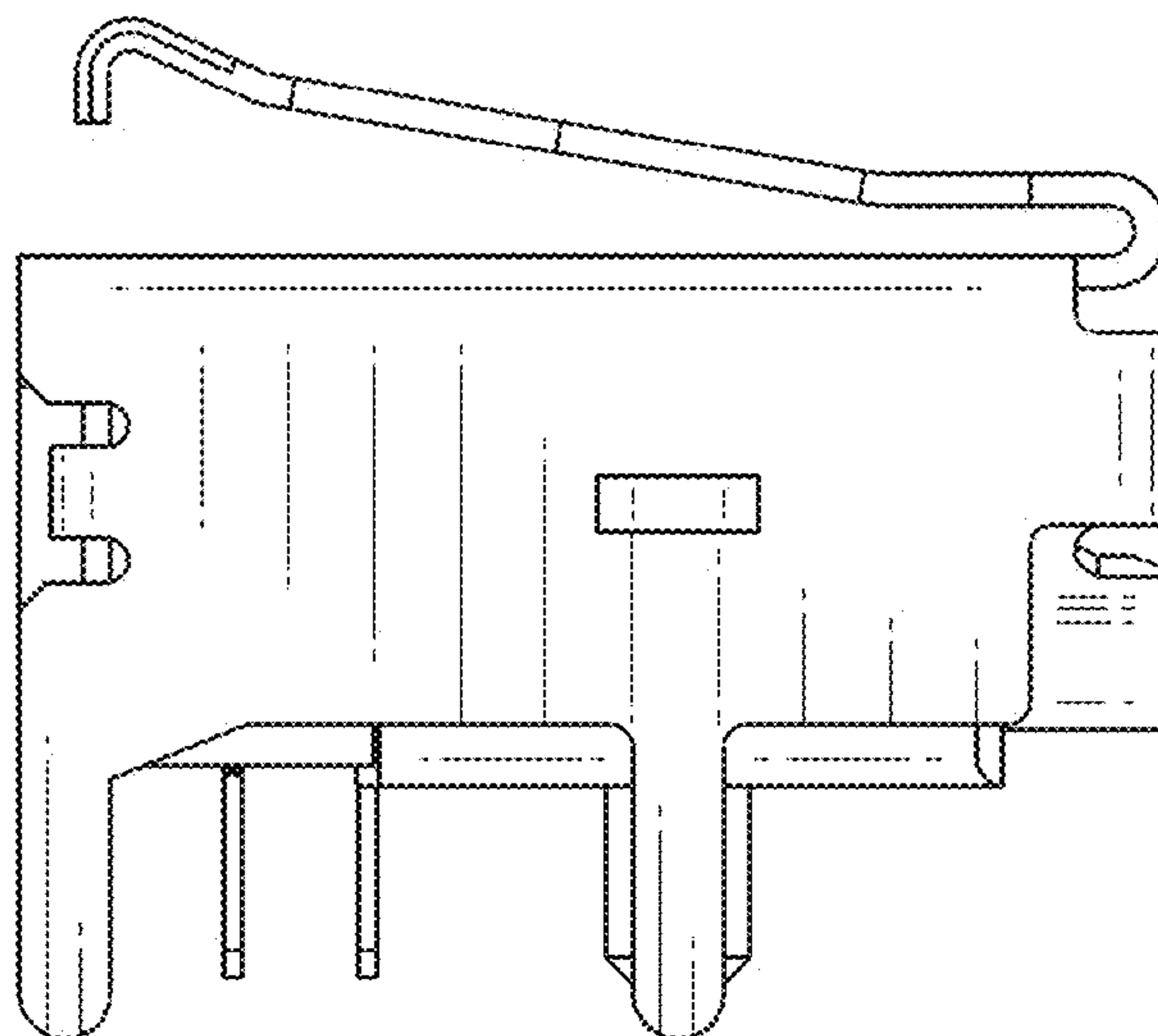


Fig. 7

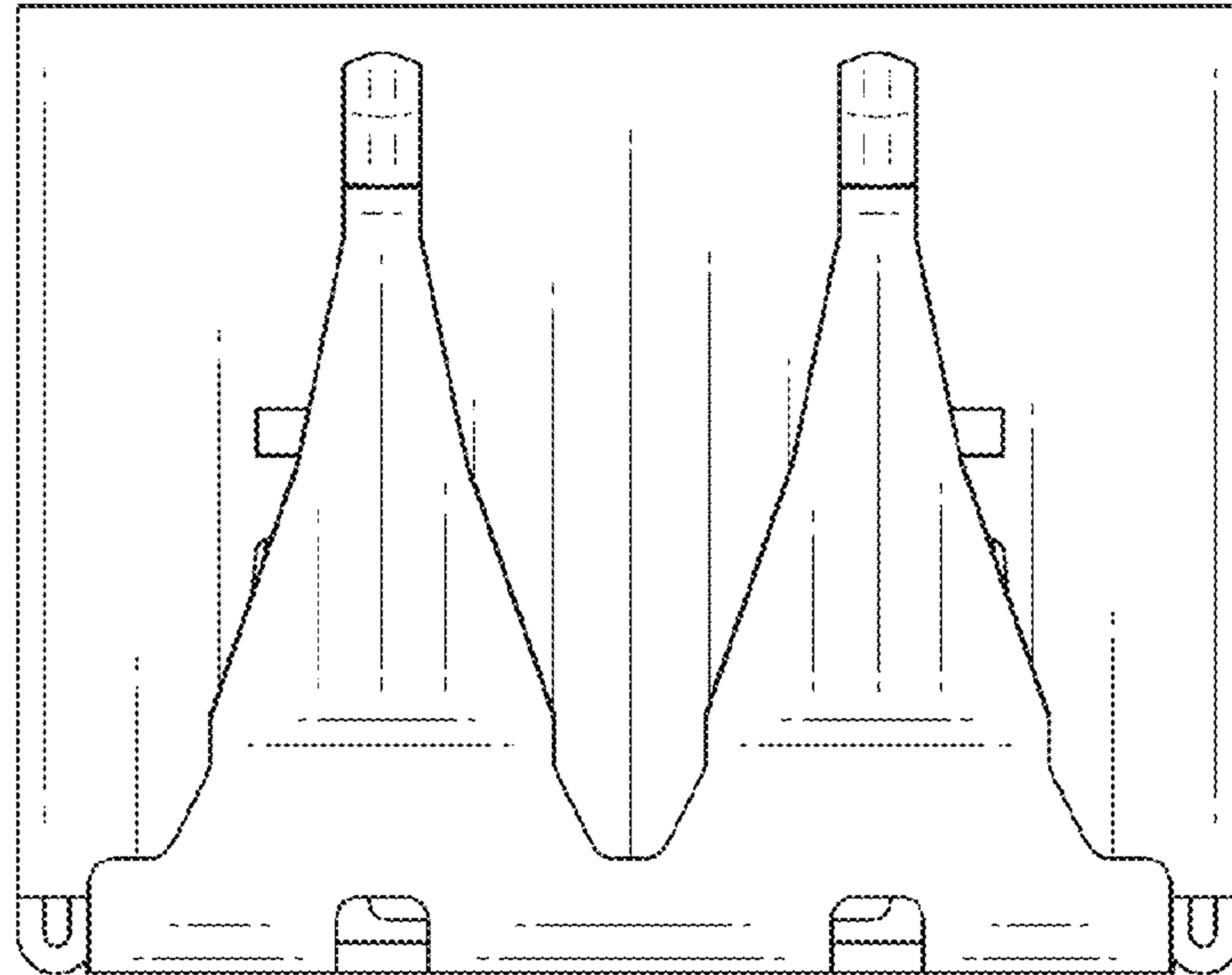


Fig. 8

