



US00D678209S

(12) **United States Design Patent**  
**Kondo et al.**

(10) **Patent No.:** **US D678,209 S**  
(45) **Date of Patent:** **\*\* Mar. 19, 2013**

(54) **ELECTRICAL CONNECTOR**

(75) Inventors: **Hayato Kondo**, Yao (JP); **Kosuke Sasada**, Yao (JP)

(73) Assignee: **Hosiden Corporation**, Yao-Shi (JP)

(\*\*) Term: **14 Years**

(21) Appl. No.: **29/400,358**

(22) Filed: **Aug. 26, 2011**

(30) **Foreign Application Priority Data**

Mar. 2, 2011 (JP) ..... 2011-004686

Mar. 15, 2011 (JP) ..... 2011-005888

(51) **LOC (9) Cl.** ..... **13-03**

(52) **U.S. Cl.** ..... **D13/147**

(58) **Field of Classification Search** ..... D13/133,  
D13/147, 154, 184, 199; 439/79, 108, 180,  
439/246, 374, 488, 527, 529, 530, 533, 540.1,  
439/541.5, 607.1, 607.4, 607.5, 607.17, 607.25,  
439/607.34, 607.41, 607.53, 660, 676, 680,  
439/883, 891, 892, 894

See application file for complete search history.

(56) **References Cited**

U.S. PATENT DOCUMENTS

D405,053	S	*	2/1999	Tan et al.	.....	D13/147
D443,251	S	*	6/2001	Wang et al.	.....	D13/147
D518,782	S	*	4/2006	Su	.....	D13/147
D538,233	S	*	3/2007	Wan et al.	.....	D13/147
D611,911	S	*	3/2010	Wang et al.	.....	D13/147
D650,758	S	*	12/2011	Sasada et al.	.....	D13/147
2012/0052726	A1	*	3/2012	Lai	.....	439/607.01

\* cited by examiner

*Primary Examiner* — Daniel Bui

(74) *Attorney, Agent, or Firm* — Rankin, Hill & Clark LLP

(57) **CLAIM**

The ornamental design for an electrical connector, as shown and described.

**DESCRIPTION**

FIG. 1 is a front, right side and top perspective view of an electrical connector showing our new design; FIG. 2 is a front, right side and bottom perspective view thereof; FIG. 3 is a front elevation view thereof; FIG. 4 is a rear elevation view thereof; FIG. 5 is a left side view thereof, a right side view being a mirror image thereof; FIG. 6 is a top plan view thereof; FIG. 7 is a bottom plan view thereof; and, FIG. 8 is an enlarged sectional view taken along a line 8-8 in FIG. 3 thereof.

**1 Claim, 3 Drawing Sheets**

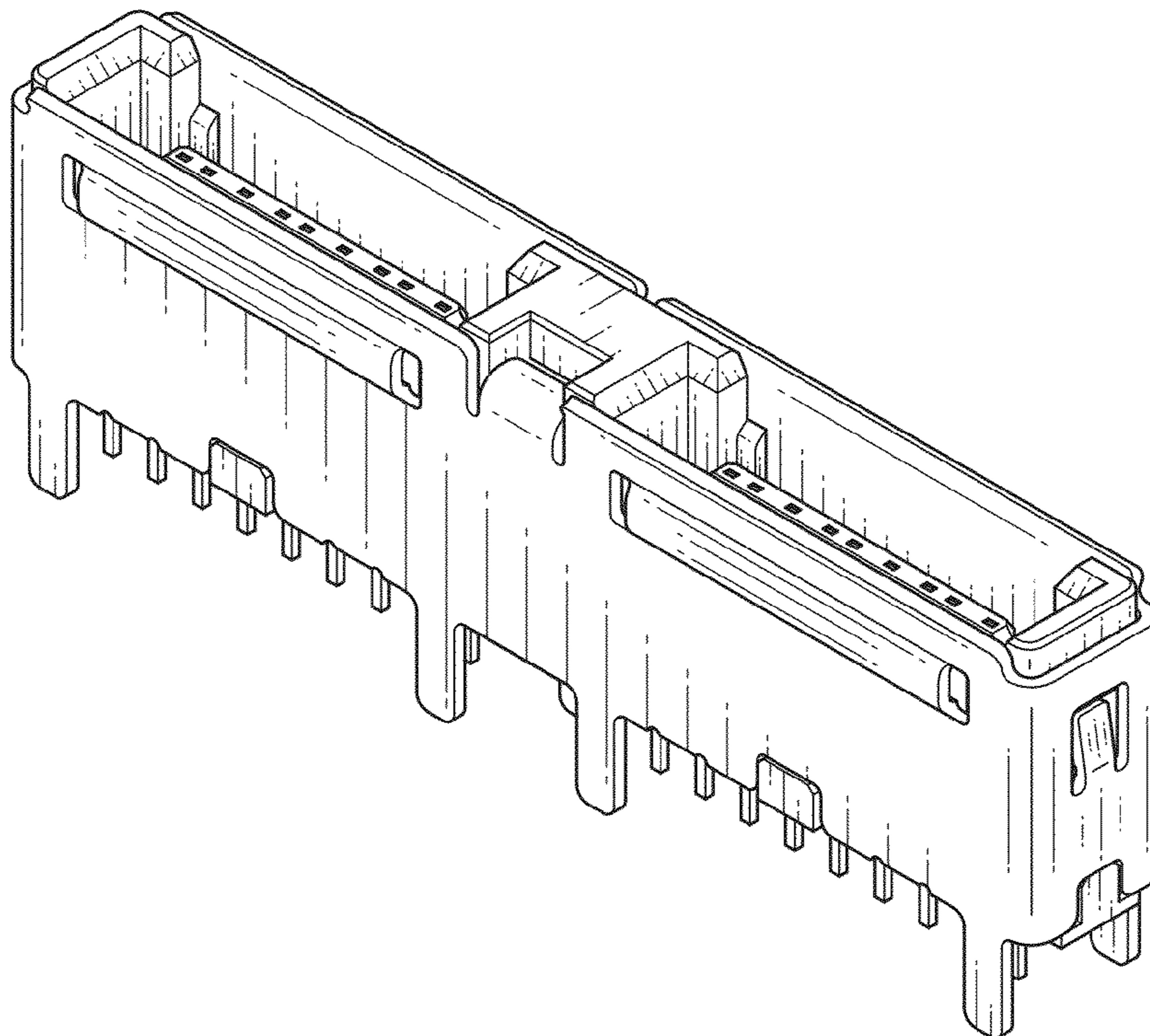


Fig. 1

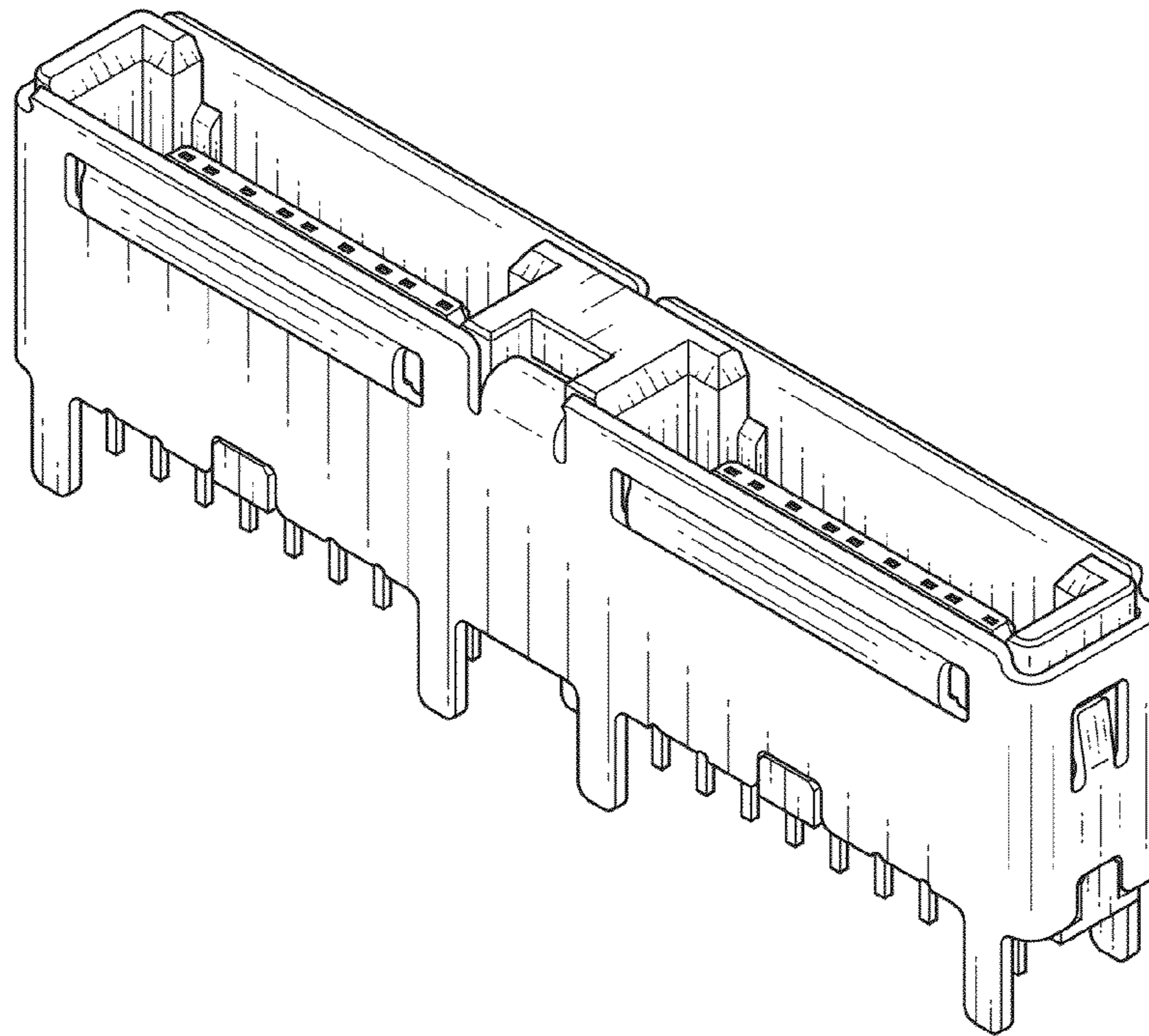


Fig. 2

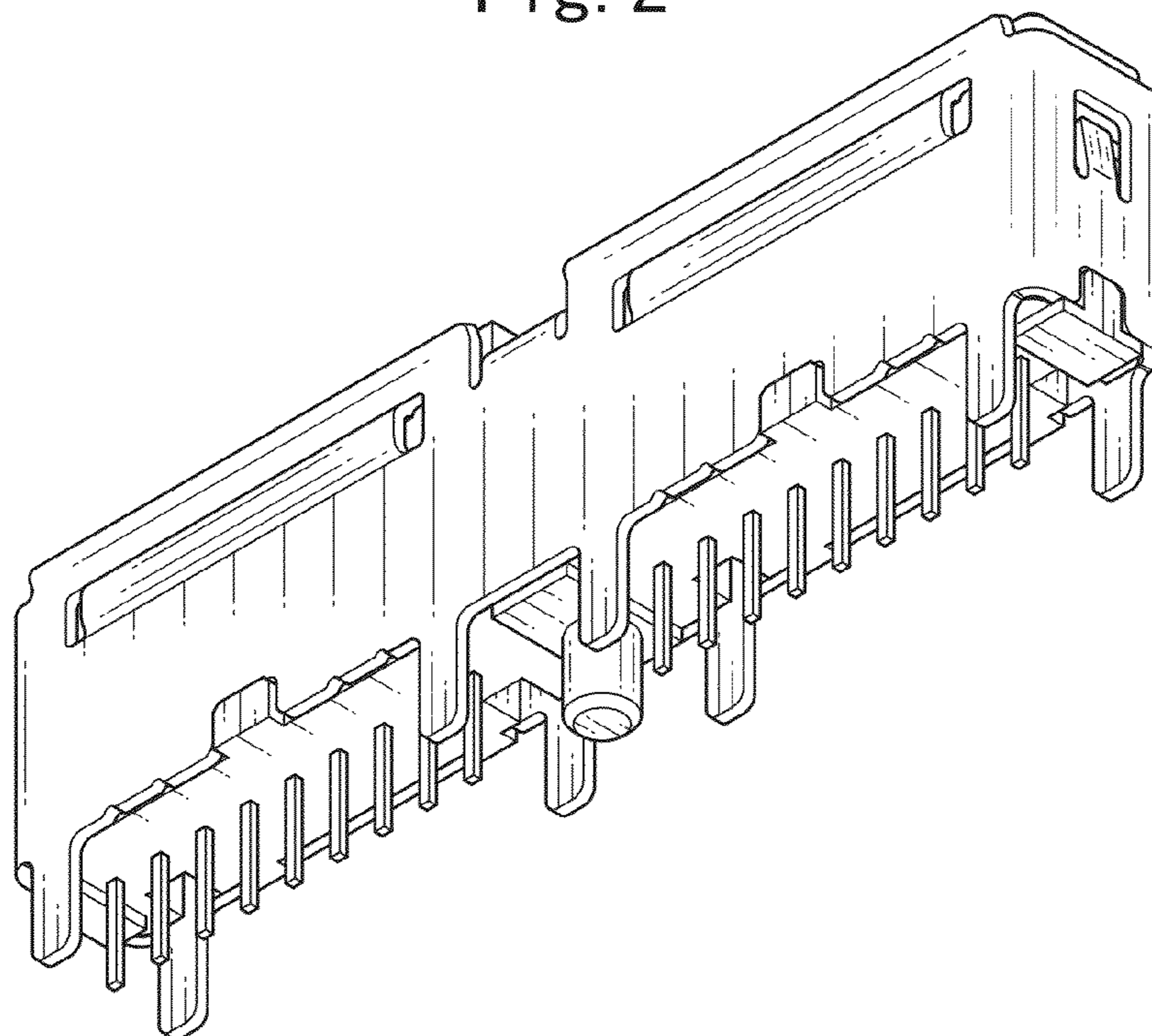


Fig. 3

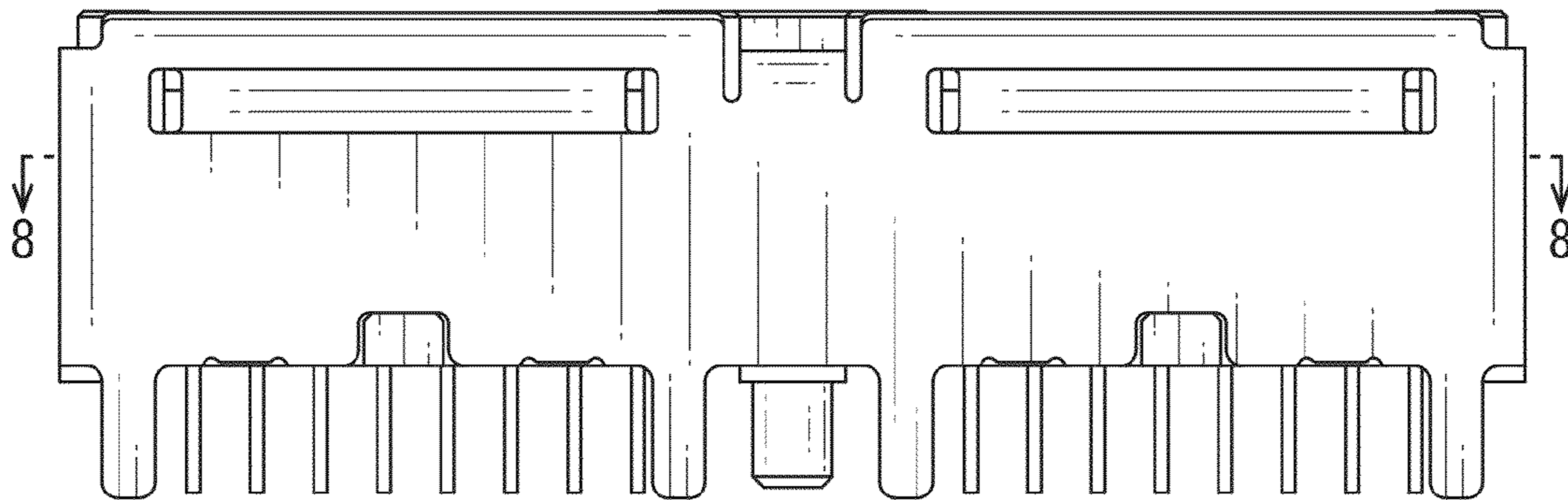


Fig. 4

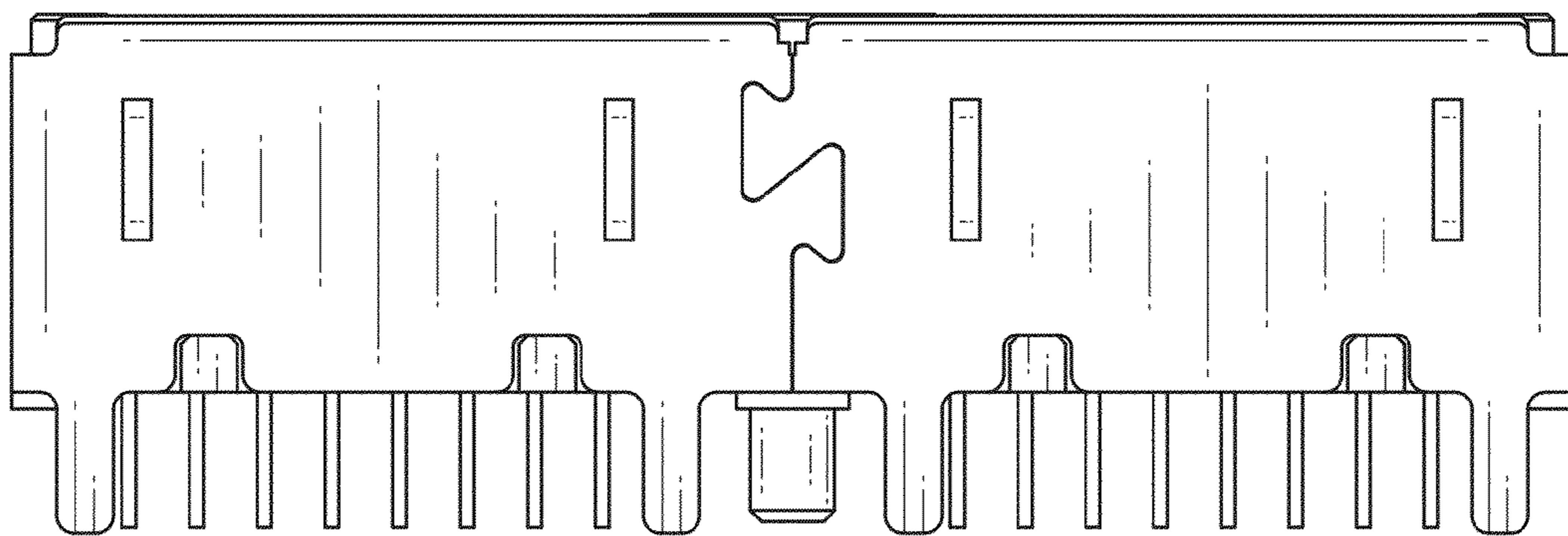




Fig. 5

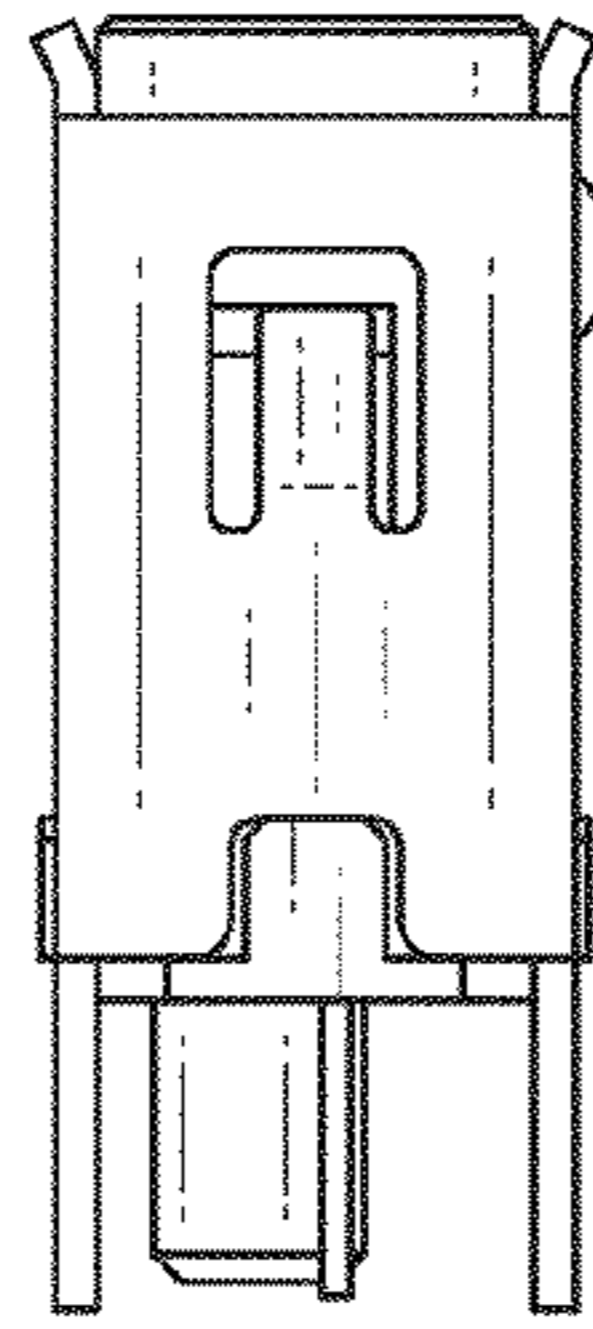


Fig. 6

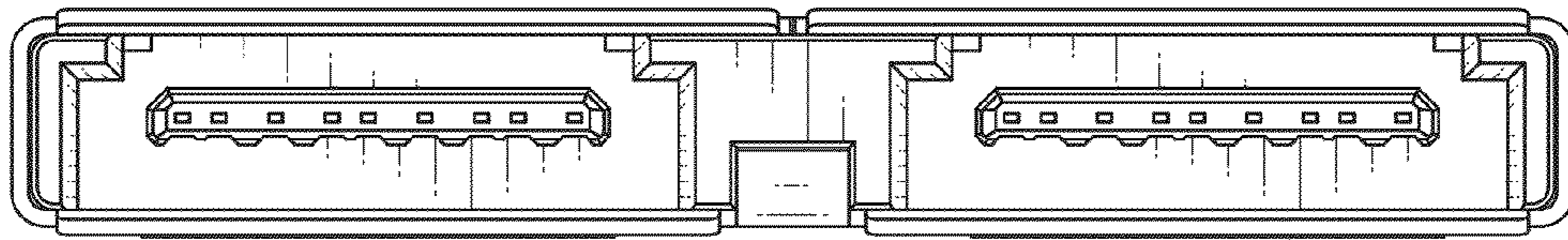


Fig. 7

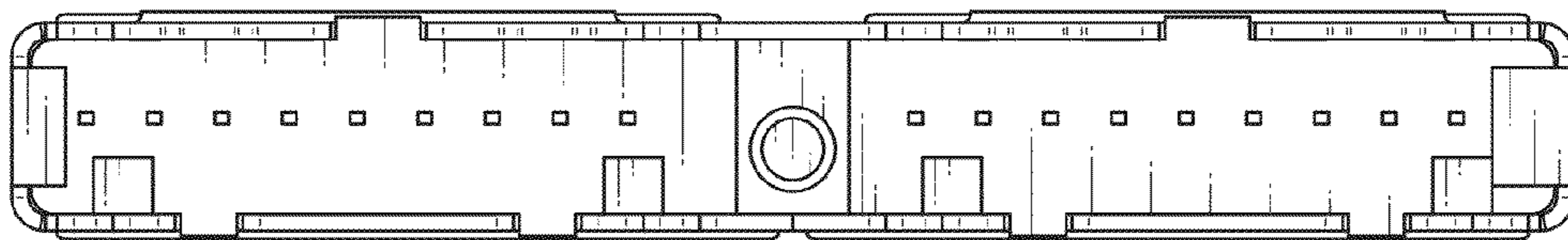


Fig. 8

