



US00D678208S

(12) **United States Design Patent**  
**McSweyn**

(10) **Patent No.:** **US D678,208 S**  
(45) **Date of Patent:** **\*\* Mar. 19, 2013**

(54) **FACE PLATE FOR CAR CHARGER**

(75) Inventor: **Christopher McSweyn**, Oxnard, CA  
(US)

(73) Assignee: **Scosche Industries, Inc.**, Oxnard, CA  
(US)

(\*\*) Term: **14 Years**

(21) Appl. No.: **29/427,787**

(22) Filed: **Jul. 23, 2012**

(51) **LOC (9) Cl.** ..... **13-03**

(52) **U.S. Cl.** ..... **D13/144**

(58) **Field of Classification Search** ..... D13/144,  
D13/107, 110, 118, 119, 120, 133, 154, 184,  
D13/199; D14/155, 217, 433; 320/65, 107,  
320/108, 109; 363/13, 146; 439/300, 620,  
439/638, 668, 669, 675, 825

See application file for complete search history.

(56) **References Cited**

U.S. PATENT DOCUMENTS

5,116,248 A \* 5/1992 Hiers et al. .... 439/669  
D525,938 S \* 8/2006 Seil et al. .... D13/144  
D604,699 S \* 11/2009 Yamamoto ..... D13/144

D624,498 S \* 9/2010 Chan ..... D13/144  
D624,499 S \* 9/2010 Chan ..... D13/144  
D625,267 S \* 10/2010 Tseng et al. .... D13/144  
D625,689 S \* 10/2010 Chan ..... D13/144  
D625,690 S \* 10/2010 Chan ..... D13/144  
D626,072 S \* 10/2010 Tseng et al. .... D13/144

\* cited by examiner

*Primary Examiner* — Derrick Holland

(74) *Attorney, Agent, or Firm* — Arent Fox, LLP

(57) **CLAIM**

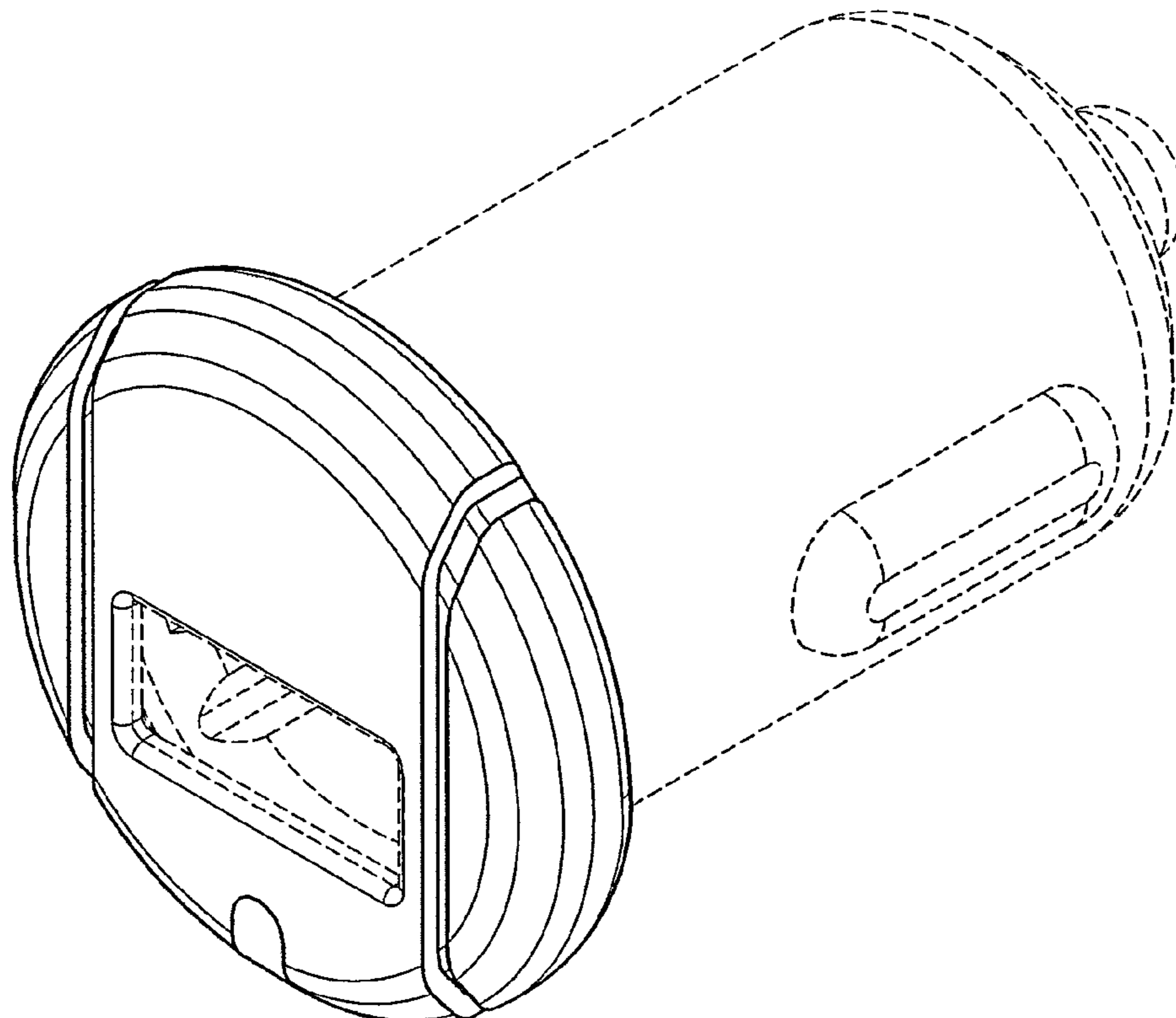
The ornamental design for a face plate for a car charger, as shown and described.

**DESCRIPTION**

FIG. 1 is a front perspective view of a face plate for a car charger showing my new design;  
FIG. 2 is a rear perspective view thereof;  
FIG. 3 is a side view thereof;  
FIG. 4 is a front view thereof;  
FIG. 5 is a back view thereof;  
FIG. 6 is a top view thereof; and,  
FIG. 7 is a bottom view thereof.

The broken lines shown represent unclaimed subject matter and form no part of the claimed design.

**1 Claim, 6 Drawing Sheets**



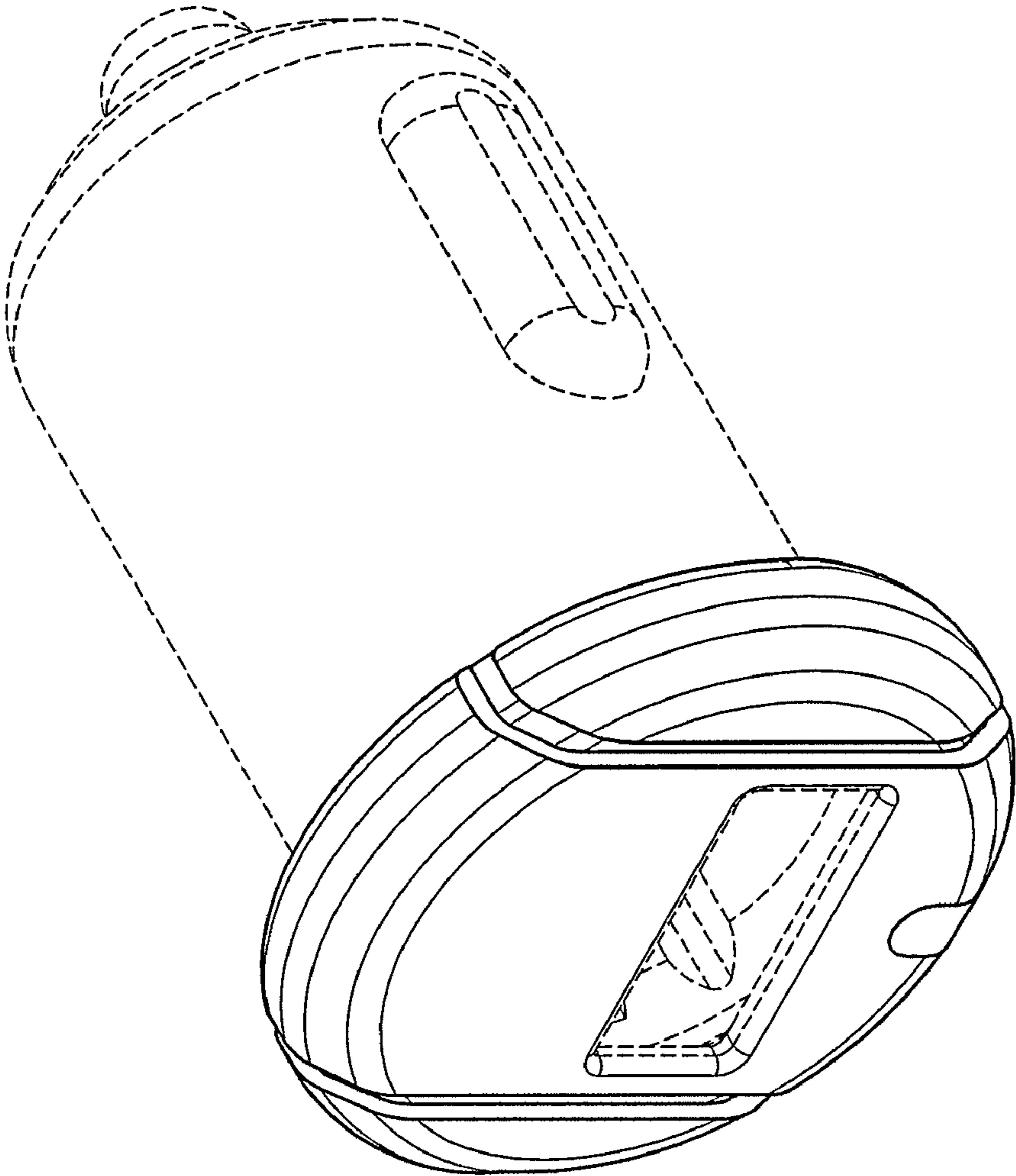


FIG. 1

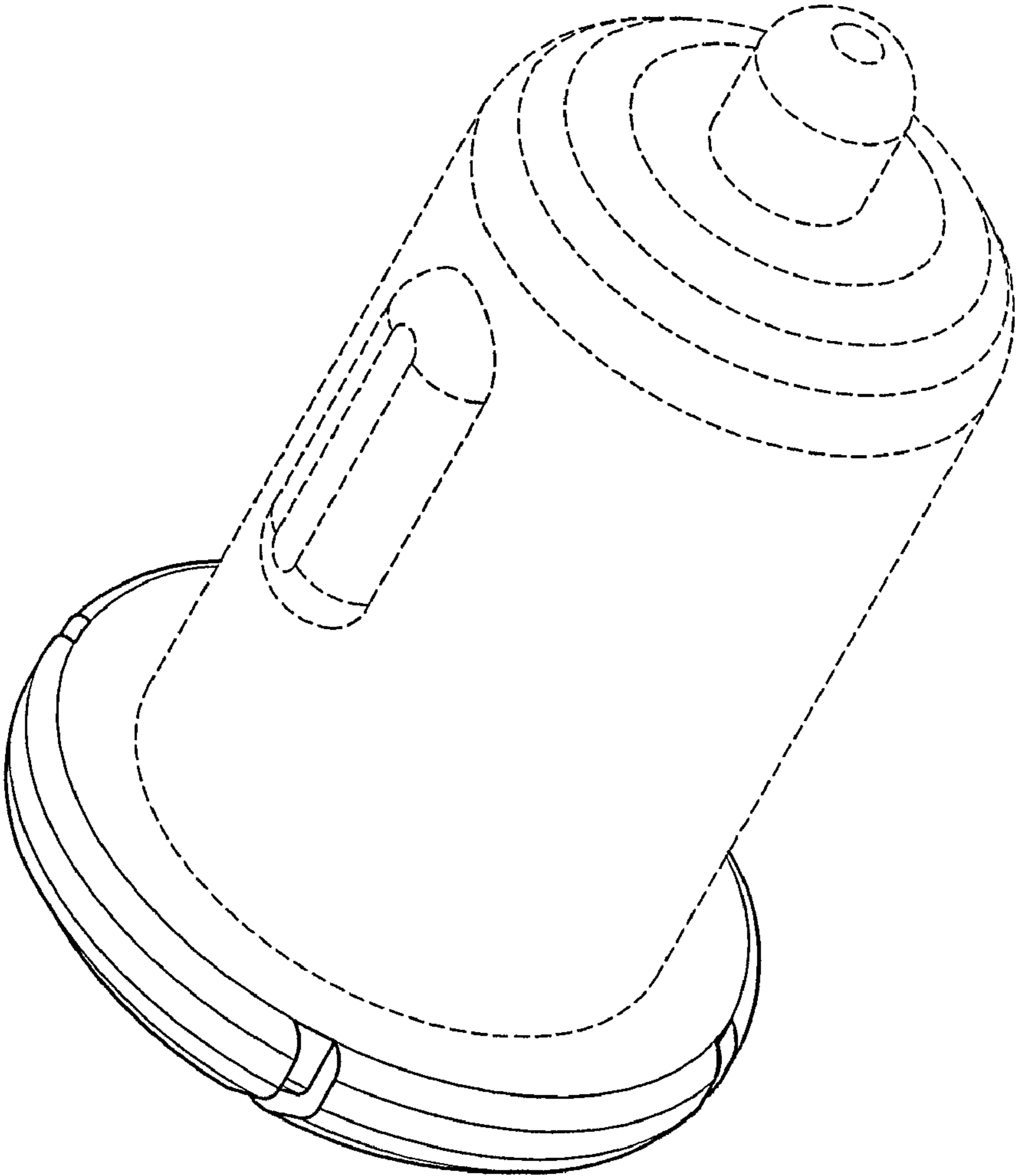


FIG. 2

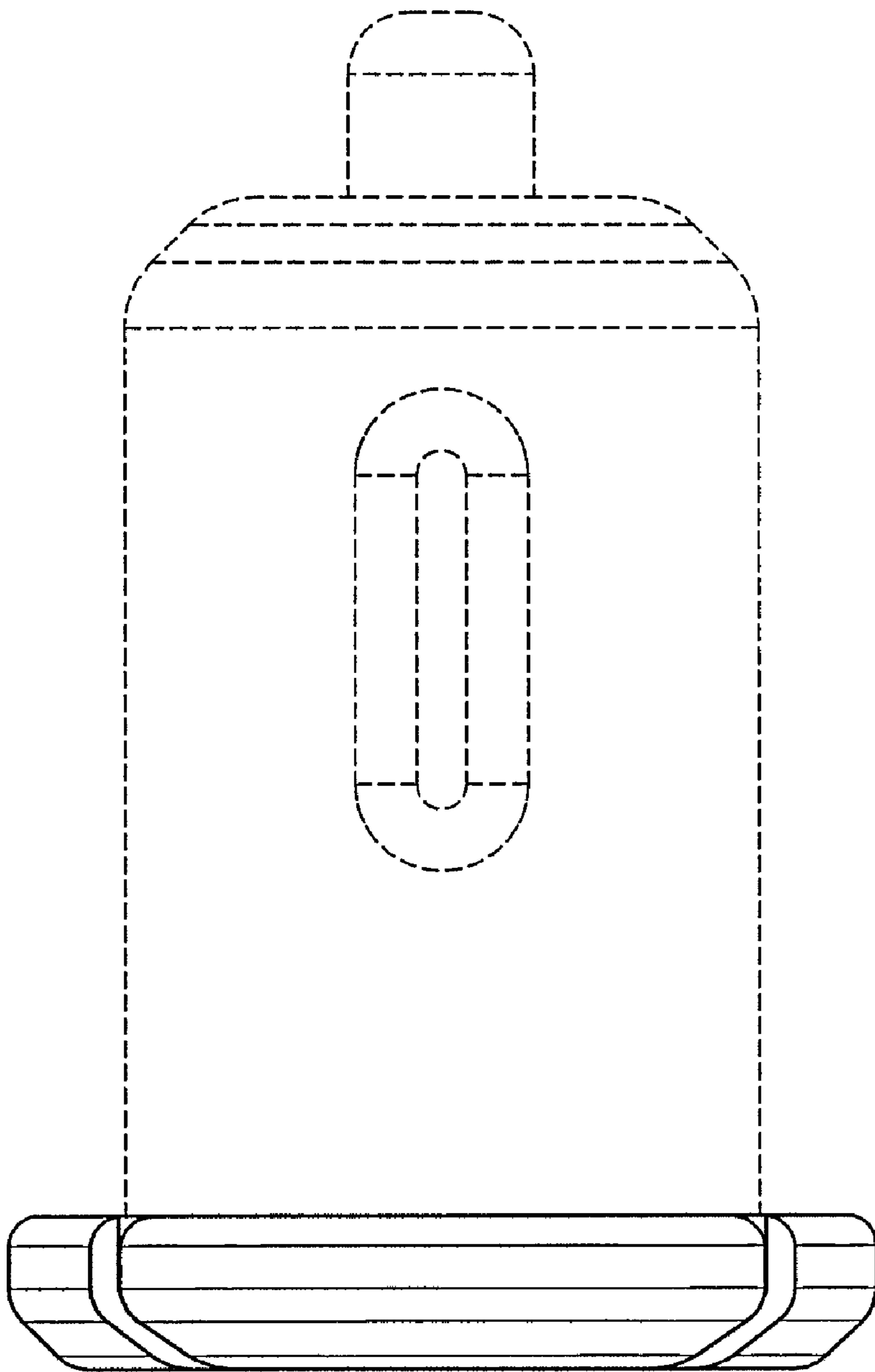


FIG. 3

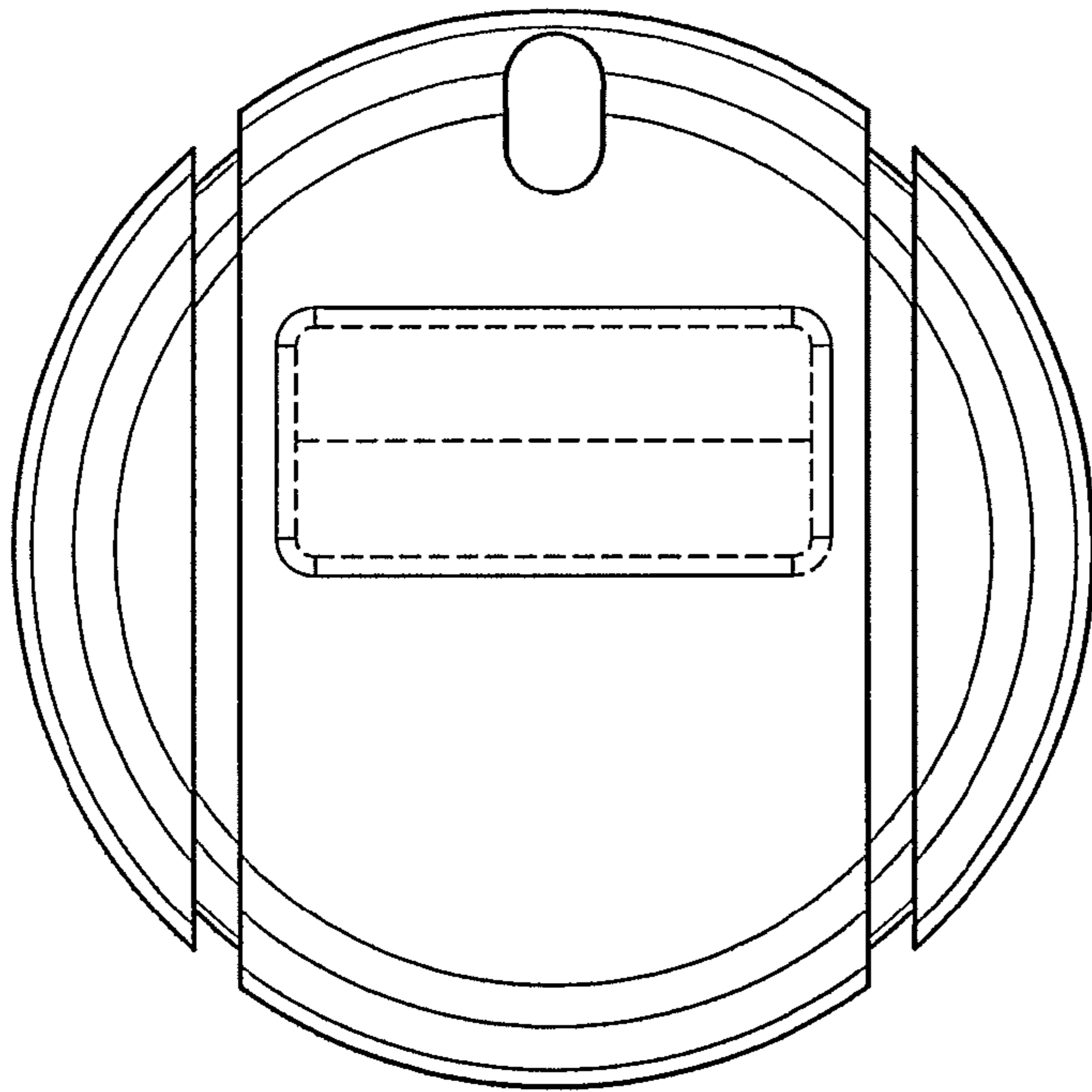


FIG. 4

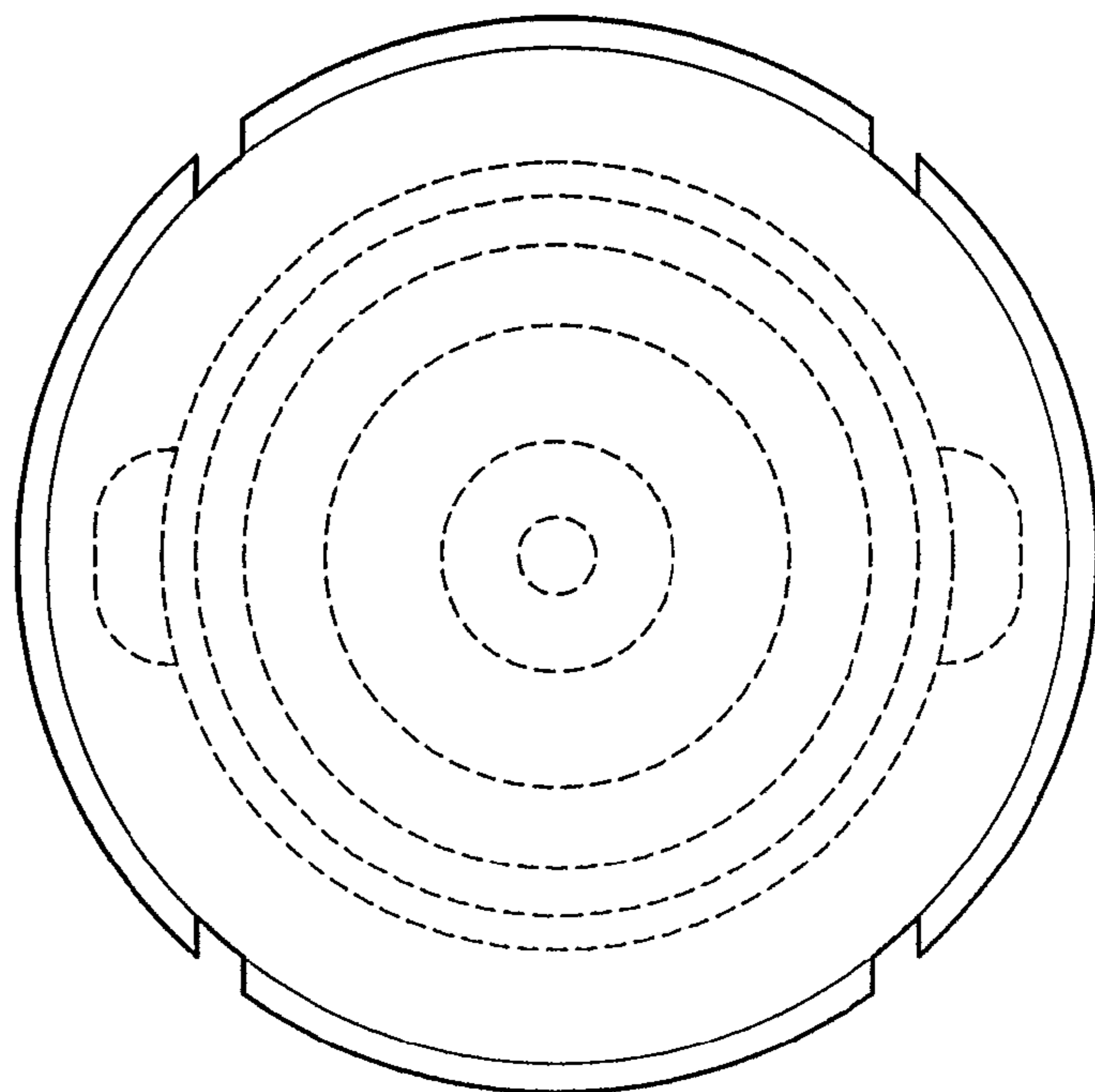


FIG. 5

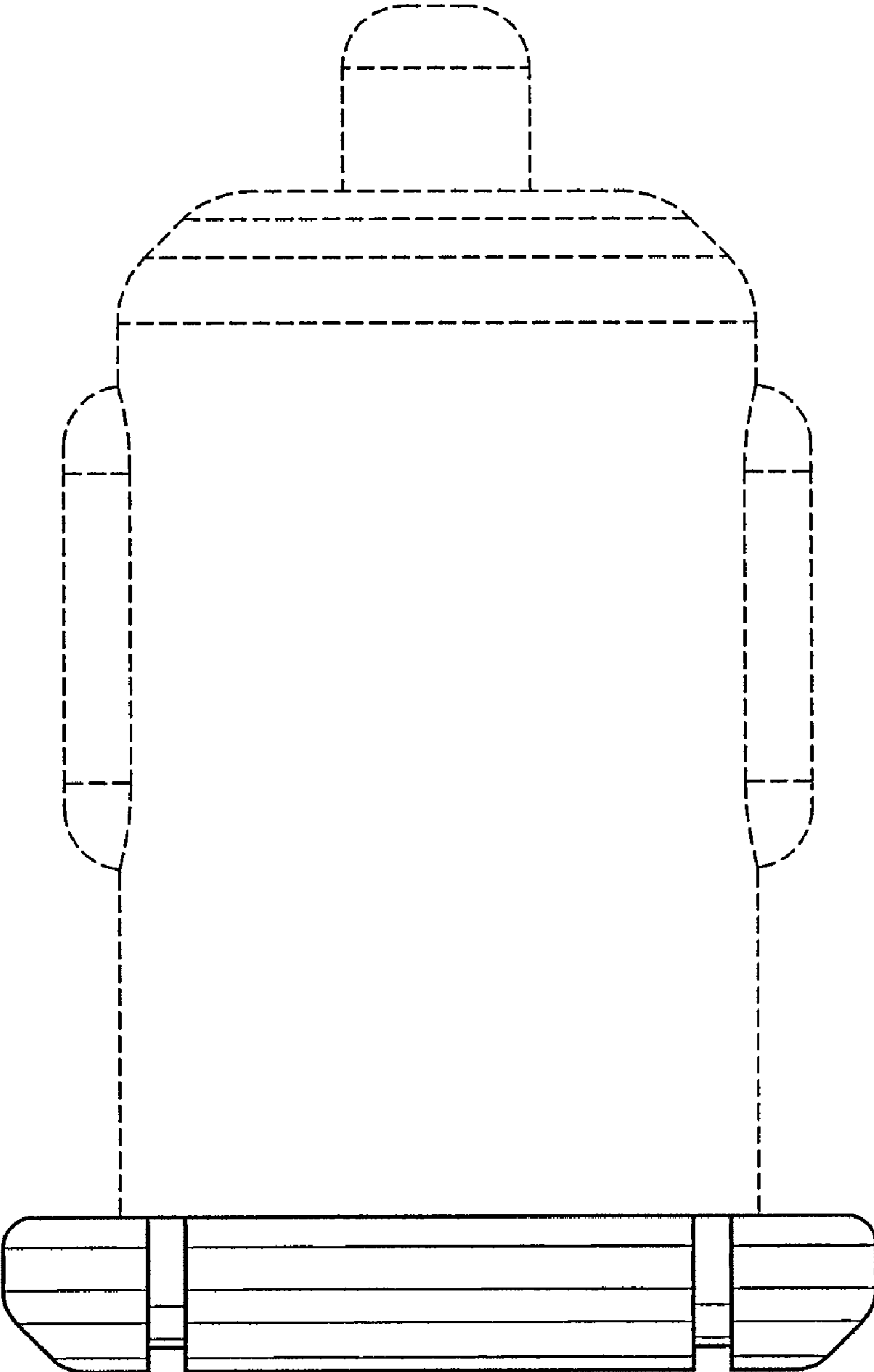


FIG. 6

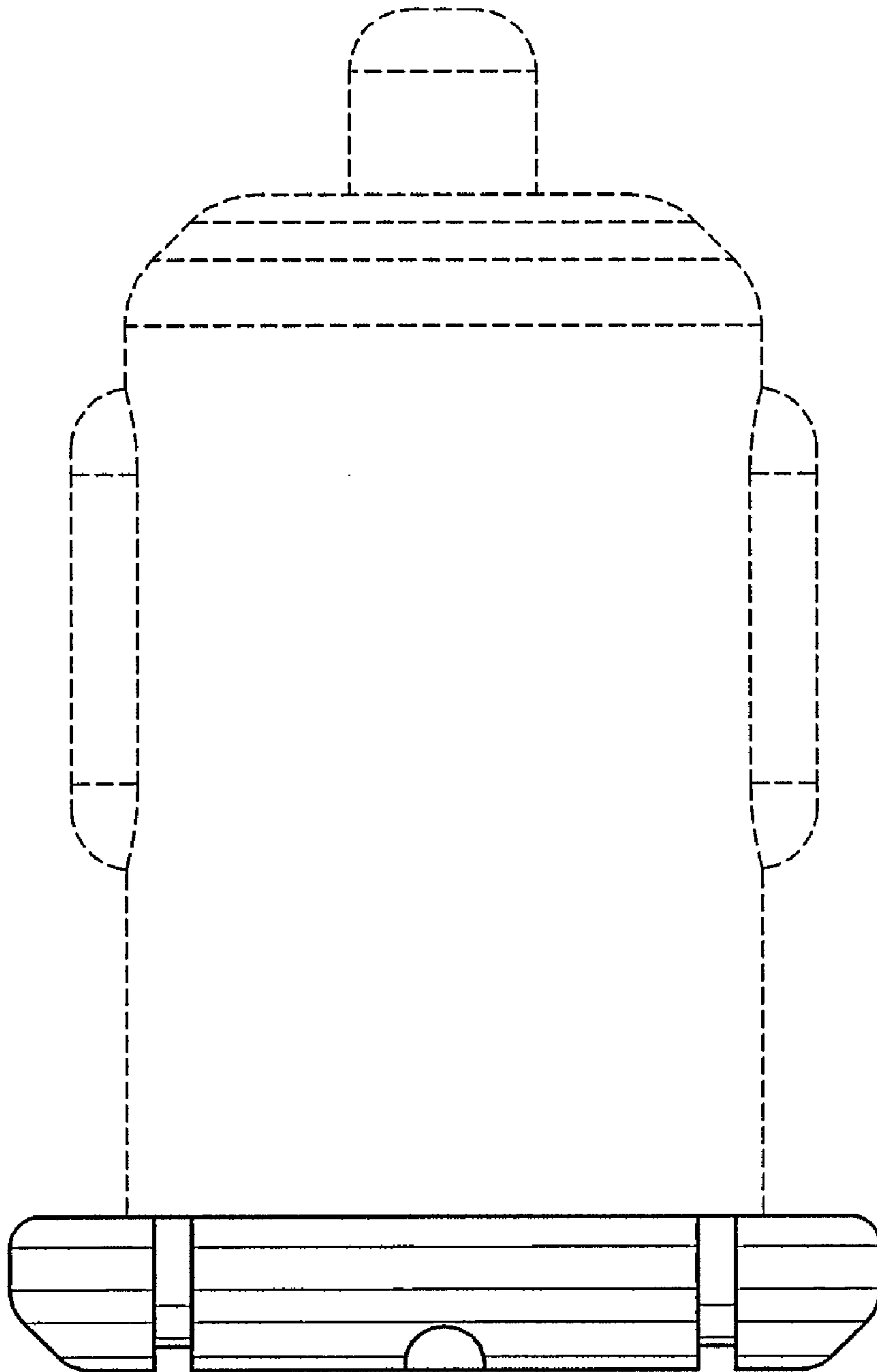


FIG. 7