



US00D678207S

(12) **United States Design Patent**
McSweyn

(10) **Patent No.:** **US D678,207 S**

(45) **Date of Patent:** **** Mar. 19, 2013**

(54) **FACE PLATE FOR CAR CHARGER**

(75) Inventor: **Christopher McSweyn**, Oxnard, CA
(US)

(73) Assignee: **Scosche Industries, Inc.**, Oxnard, CA
(US)

(**) Term: **14 Years**

(21) Appl. No.: **29/427,783**

(22) Filed: **Jul. 23, 2012**

(51) **LOC (9) Cl.** **13-03**

(52) **U.S. Cl.** **D13/144**

(58) **Field of Classification Search** D13/144,
D13/107, 110, 118, 119, 120, 133, 154, 184,
D13/199; D14/155, 217, 433; 320/65, 107,
320/108, 109; 363/13, 146; 439/300, 620,
439/638, 668, 669, 675, 825

See application file for complete search history.

(56) **References Cited**

U.S. PATENT DOCUMENTS

5,116,248 A * 5/1992 Hiers et al. 439/669
D525,938 S * 8/2006 Seil et al. D13/144
D604,699 S * 11/2009 Yamamoto D13/144

D624,498 S * 9/2010 Chan D13/144
D624,499 S * 9/2010 Chan D13/144
D625,267 S * 10/2010 Tseng et al. D13/144
D625,689 S * 10/2010 Chan D13/144
D625,690 S * 10/2010 Chan D13/144
D626,072 S * 10/2010 Tseng et al. D13/144

* cited by examiner

Primary Examiner — Derrick Holland

(74) *Attorney, Agent, or Firm* — Arent Fox, LLP

(57) **CLAIM**

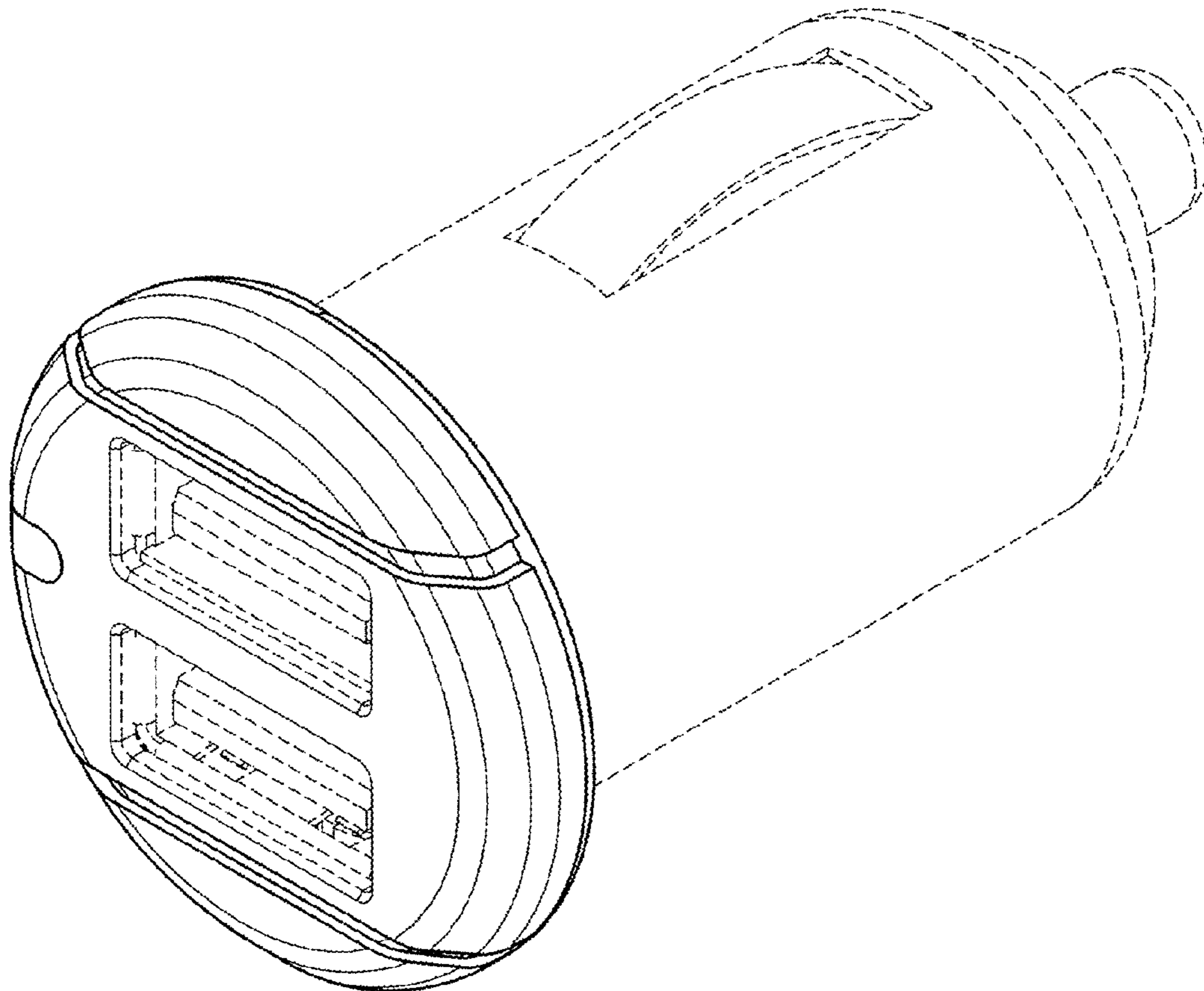
The ornamental design for a face plate for a car charger, as shown and described.

DESCRIPTION

FIG. 1 is a front perspective view of a face plate for car charger showing my new design;
FIG. 2 is a rear perspective view thereof;
FIG. 3 is a side view thereof;
FIG. 4 is a front view thereof;
FIG. 5 is a back view thereof;
FIG. 6 is a top view thereof; and,
FIG. 7 is a bottom view thereof.

The broken lines shown represent unclaimed subject matter and form no part of the claimed design.

1 Claim, 6 Drawing Sheets



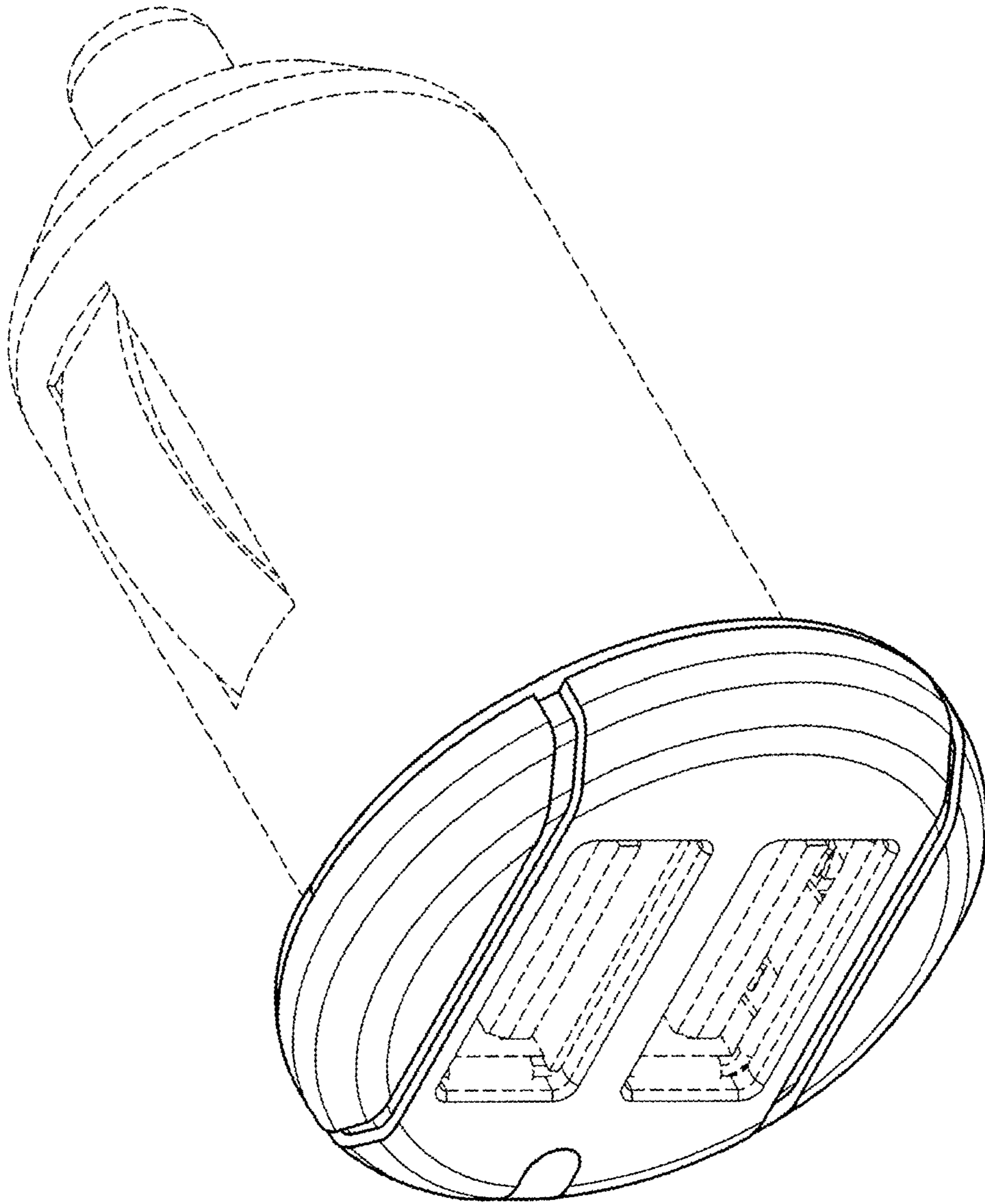


FIG. 1

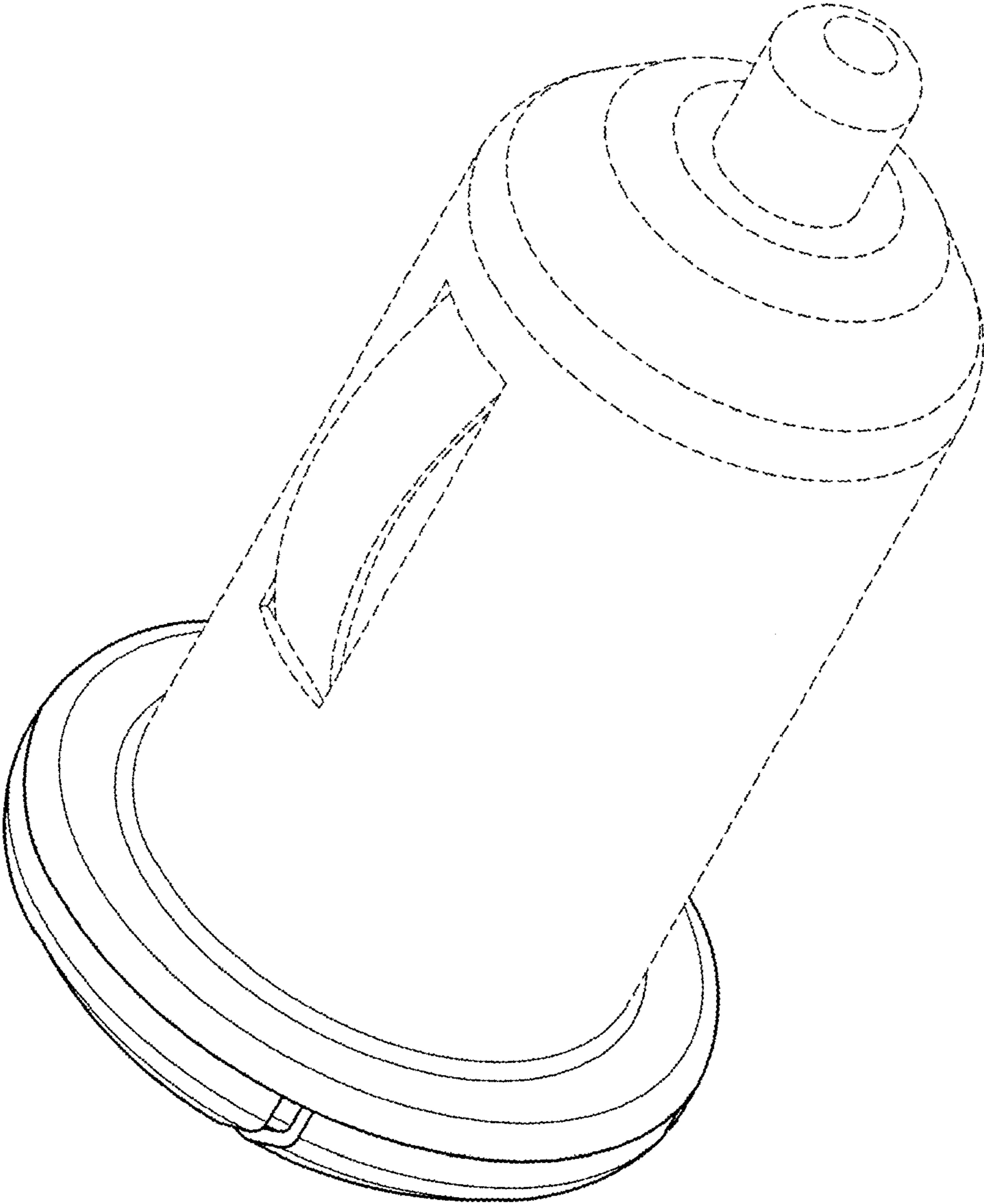


FIG. 2

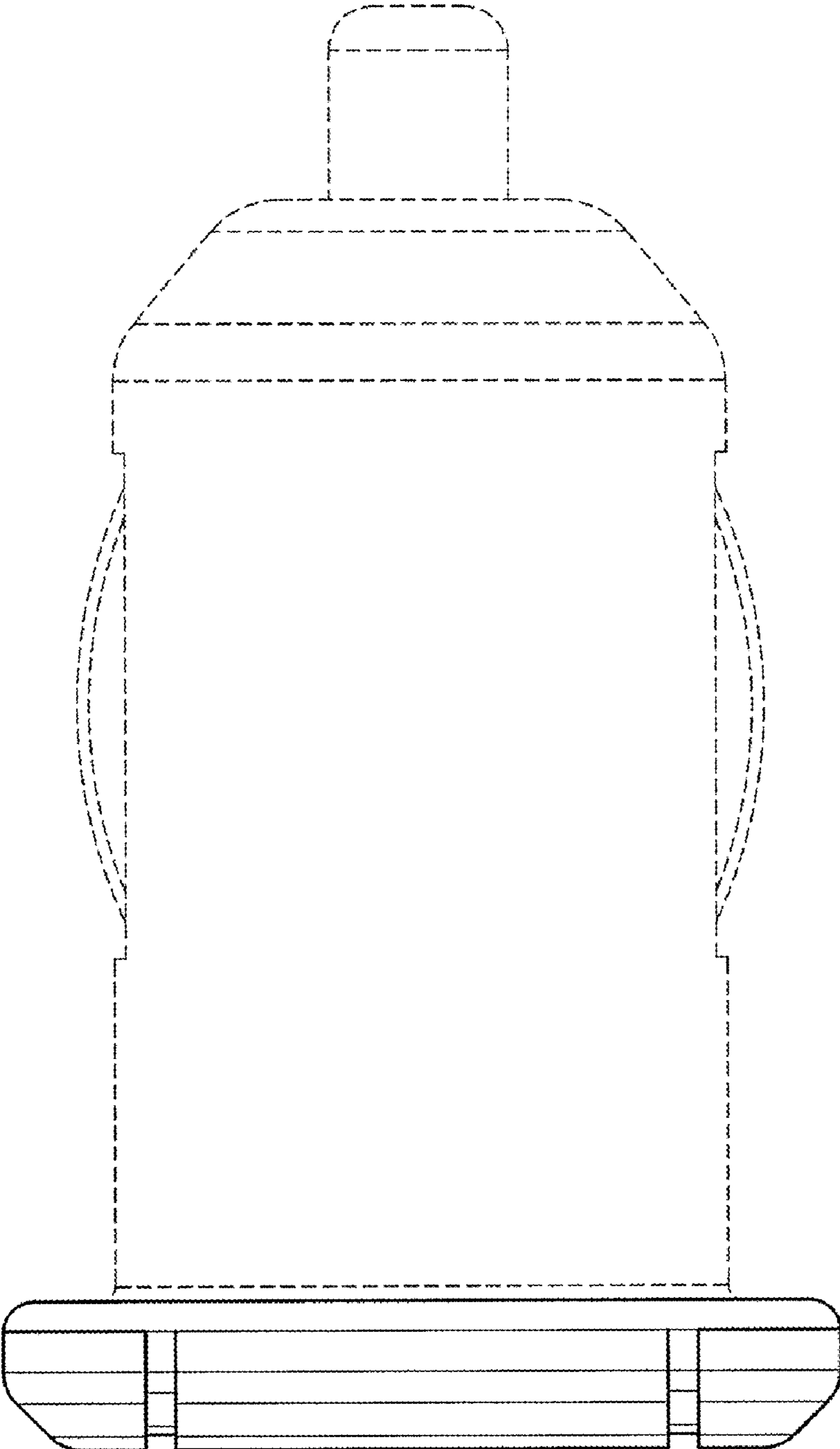


FIG. 3

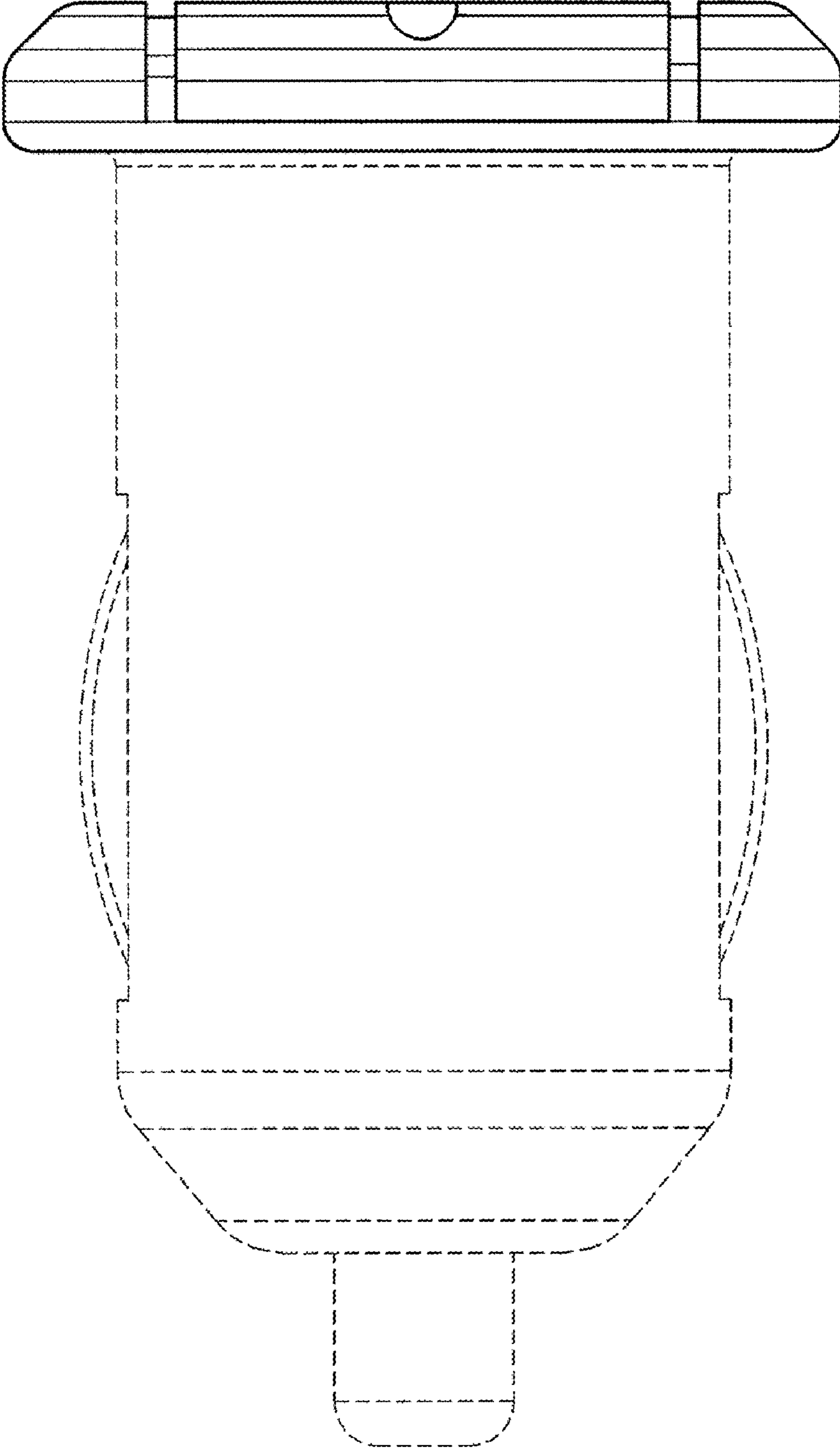


FIG. 4

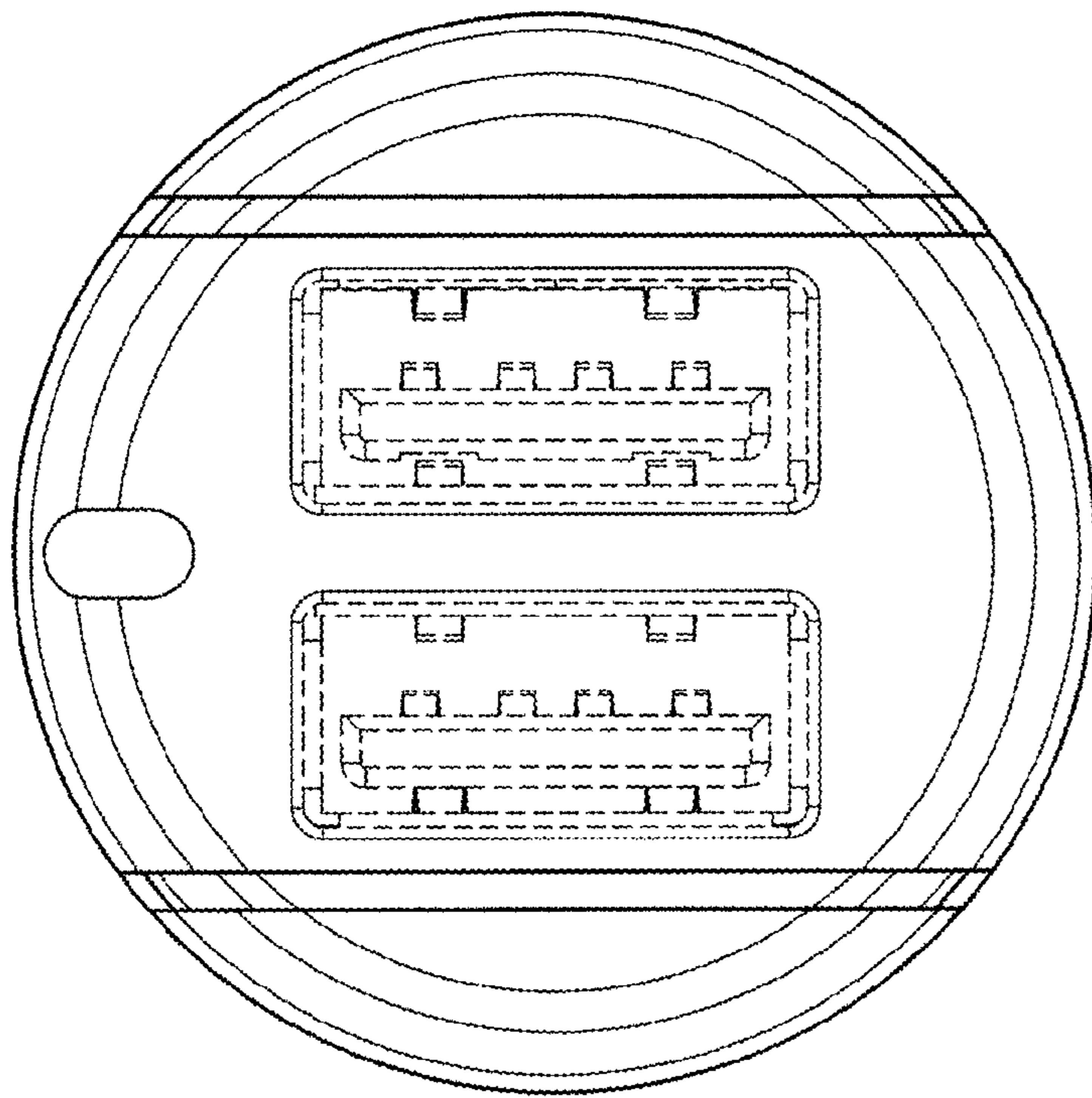


FIG. 5

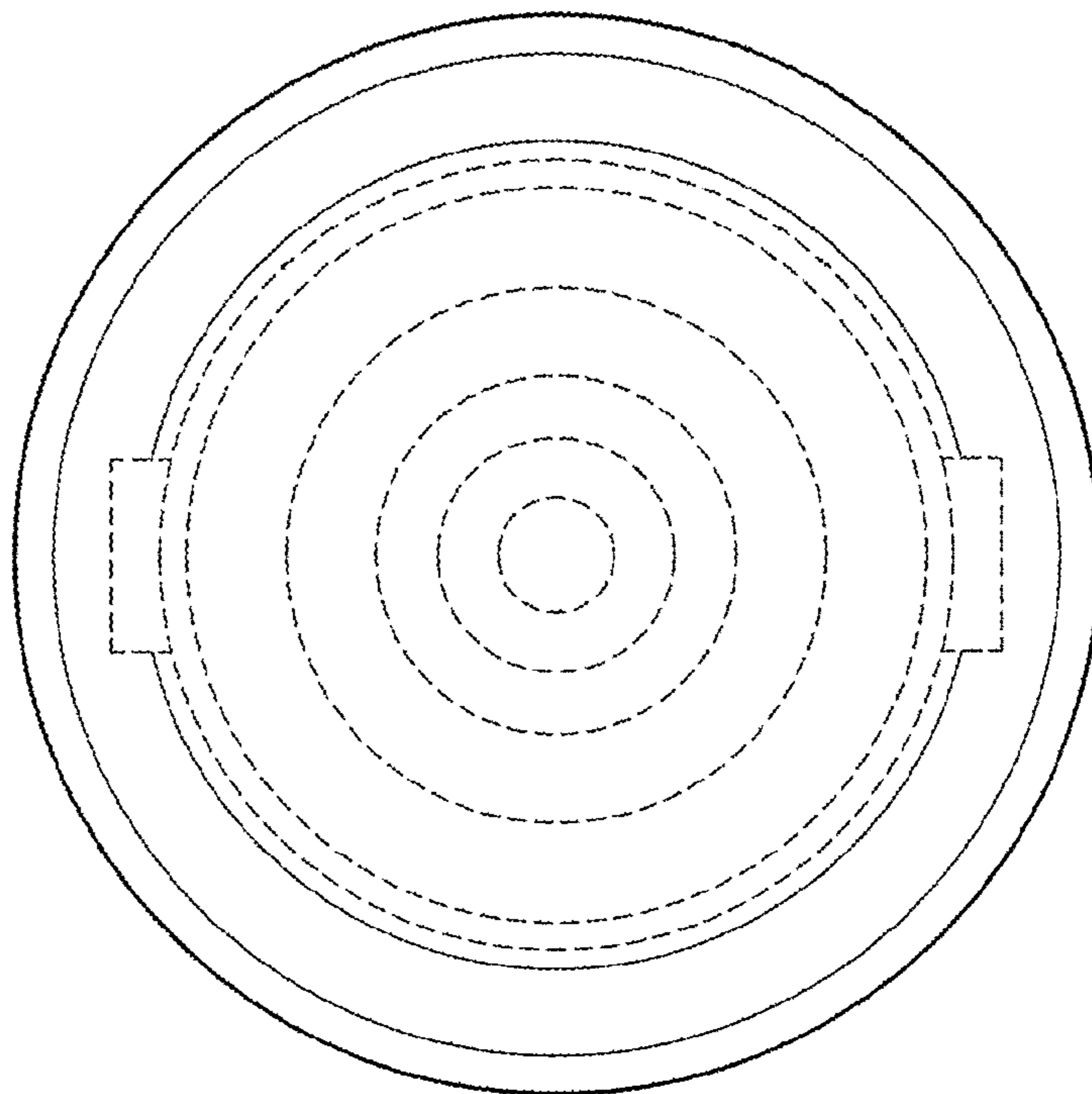


FIG. 6

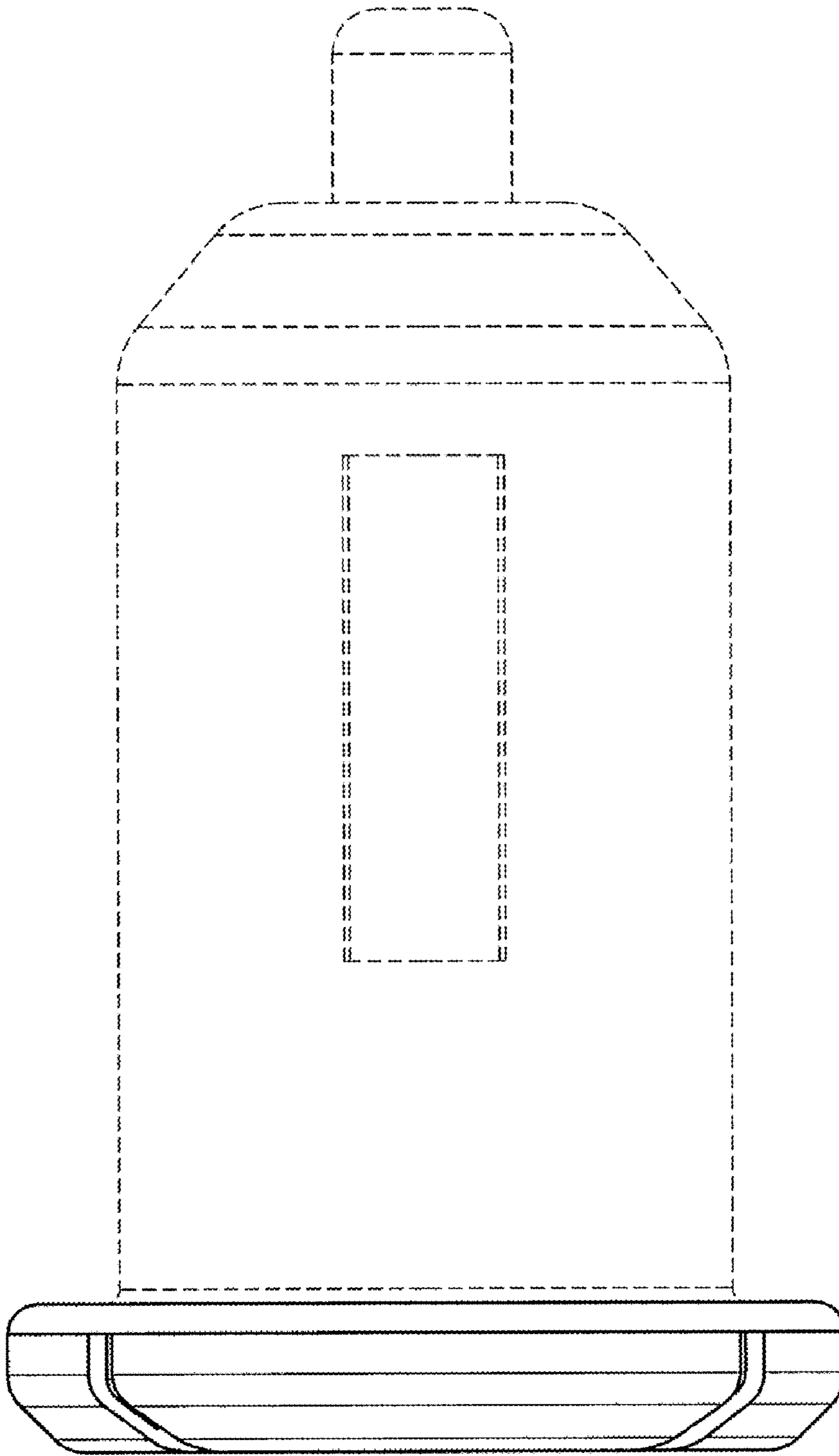


FIG. 7