



US00D678205S

(12) **United States Design Patent**
Shifris et al.

(10) **Patent No.:** **US D678,205 S**
(45) **Date of Patent:** **** Mar. 19, 2013**

(54) **TELECOMMUNICATION CONNECTOR**

(75) Inventors: **Pinchas Shifris**, Tel Aviv (IL); **Yaakov Haggay**, Kfar Saba (IL); **Nuzbrahe Marat**, Rehovot (IL)

(73) Assignee: **RIT Technologies Ltd.**, Tel Aviv (IL)

(**) Term: **14 Years**

(21) Appl. No.: **29/417,760**

(22) Filed: **Apr. 9, 2012**

(51) **LOC (9) Cl.** **13-03**

(52) **U.S. Cl.** **D13/133**

(58) **Field of Classification Search** D13/133,
D13/146, 147, 154, 184, 199; 439/180, 246,
439/252, 278, 253-354, 357-358, 374, 378-381,
439/527, 529, 533, 675, 750, 752, 842, 851,
439/889, 892, 894, 944, 948

See application file for complete search history.

(56) **References Cited**

U.S. PATENT DOCUMENTS

6,102,581	A *	8/2000	Deveau et al.	385/56
6,193,420	B1 *	2/2001	Sikorski, Jr.	385/55
6,357,934	B1 *	3/2002	Driscoll et al.	385/86
6,474,876	B1 *	11/2002	Sikorski, Jr.	385/55
D479,199	S *	9/2003	Jones et al.	D13/147
D520,449	S *	5/2006	Shiraishi et al.	D13/133

D574,773	S *	8/2008	Sutter	D13/133
7,837,395	B2 *	11/2010	Lin et al.	385/58
D651,171	S *	12/2011	Yamauchi et al.	D13/133

* cited by examiner

Primary Examiner — Daniel Bui

(74) *Attorney, Agent, or Firm* — Pearl Cohen Zedek Latzer, LLP

(57) **CLAIM**

The ornamental design for a telecommunication connector, as shown and described.

DESCRIPTION

FIG. 1 is a top perspective view of the telecommunication connector showing our new design;

FIG. 2 is rear view of the telecommunication connector shown in FIG. 1;

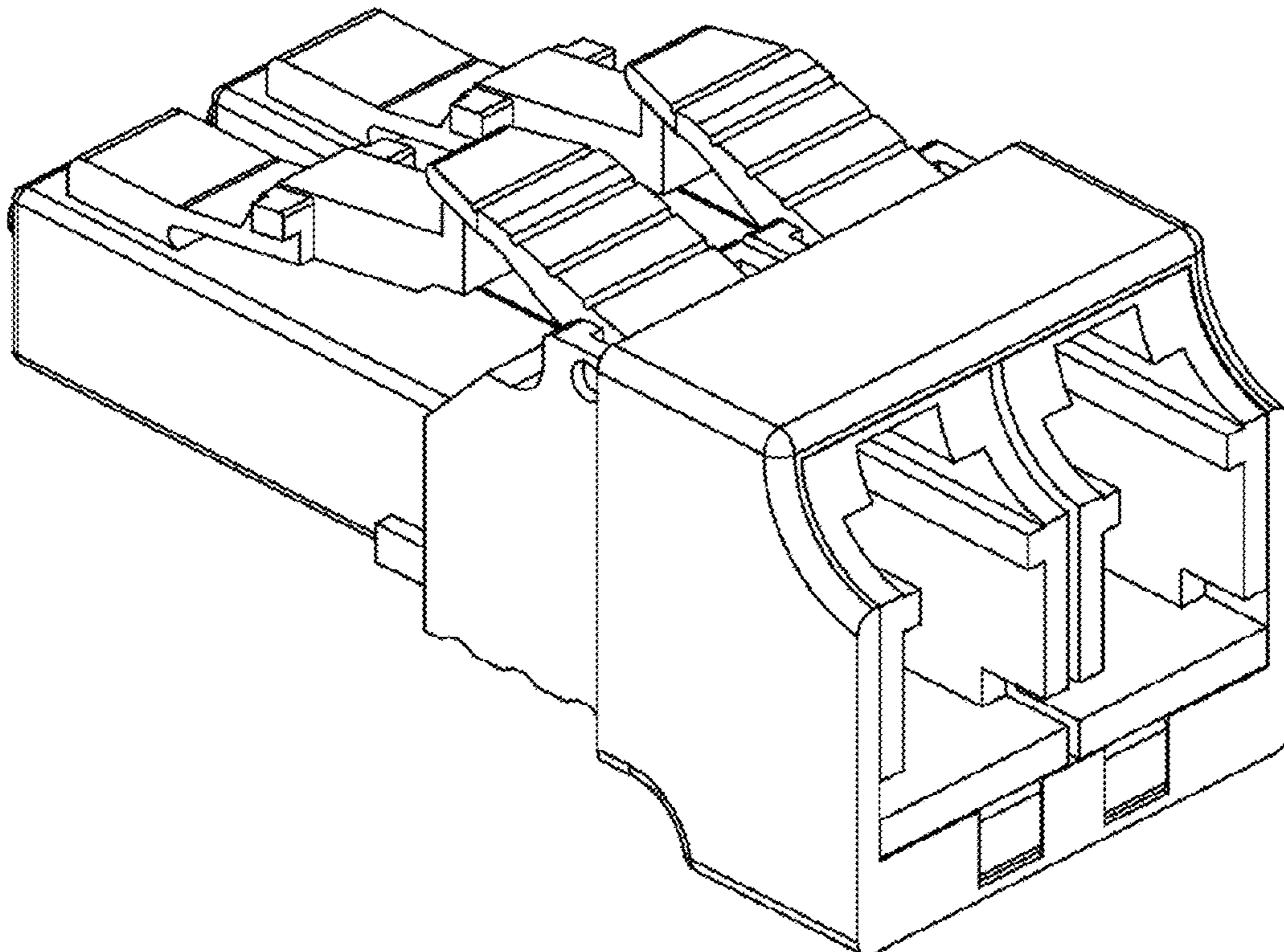
FIG. 3 is a side view of the telecommunication connector shown in FIG. 1;

FIG. 4 is a bottom view of the telecommunication connector shown in FIG. 1; and,

FIG. 5 is a top view of the telecommunication connector shown in FIG. 1.

The broken line of the internal elements of the connector shown in FIG. 2 is unclaimed environment and forms no part of the claimed design.

1 Claim, 5 Drawing Sheets



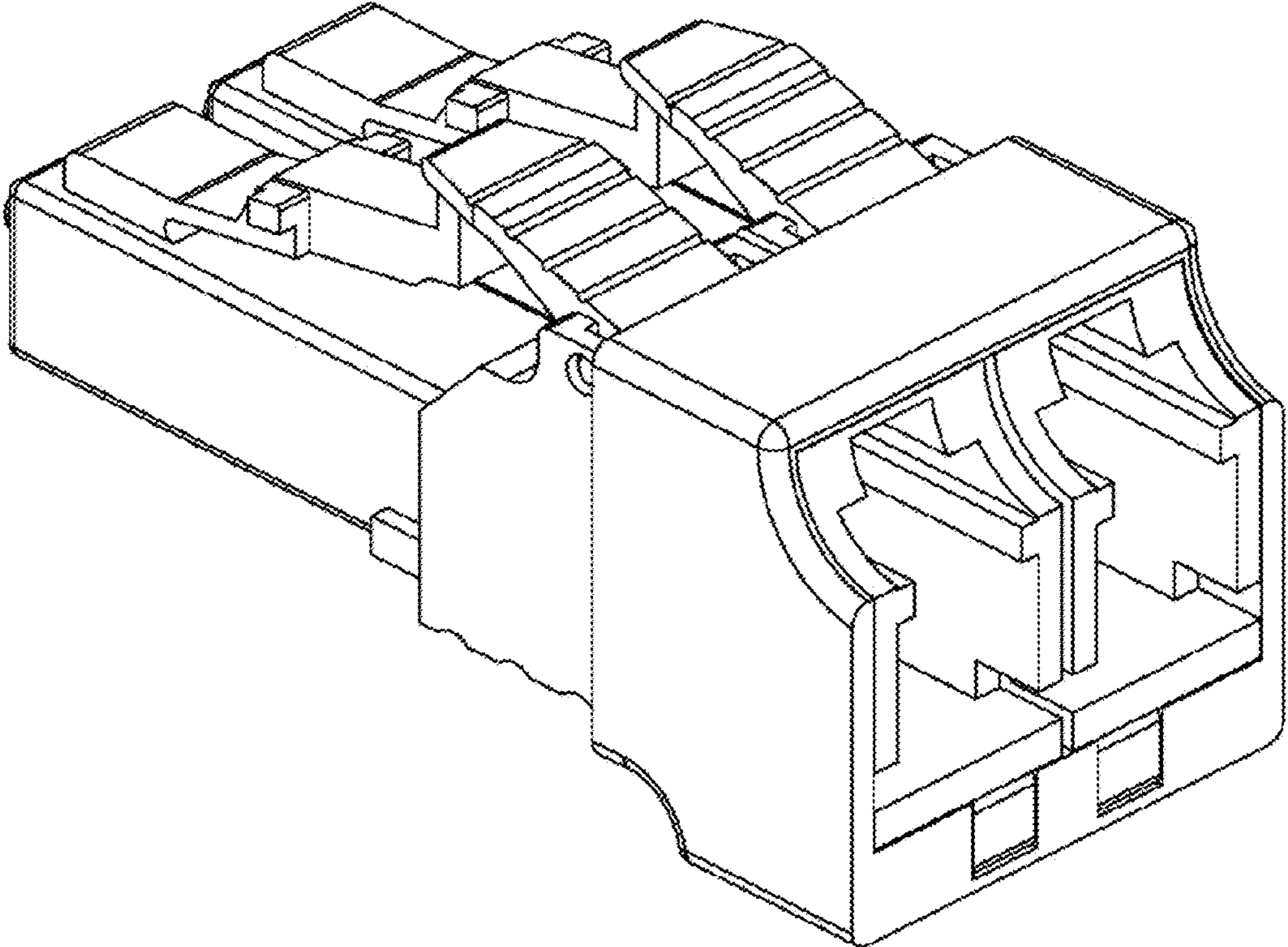


Fig. 1

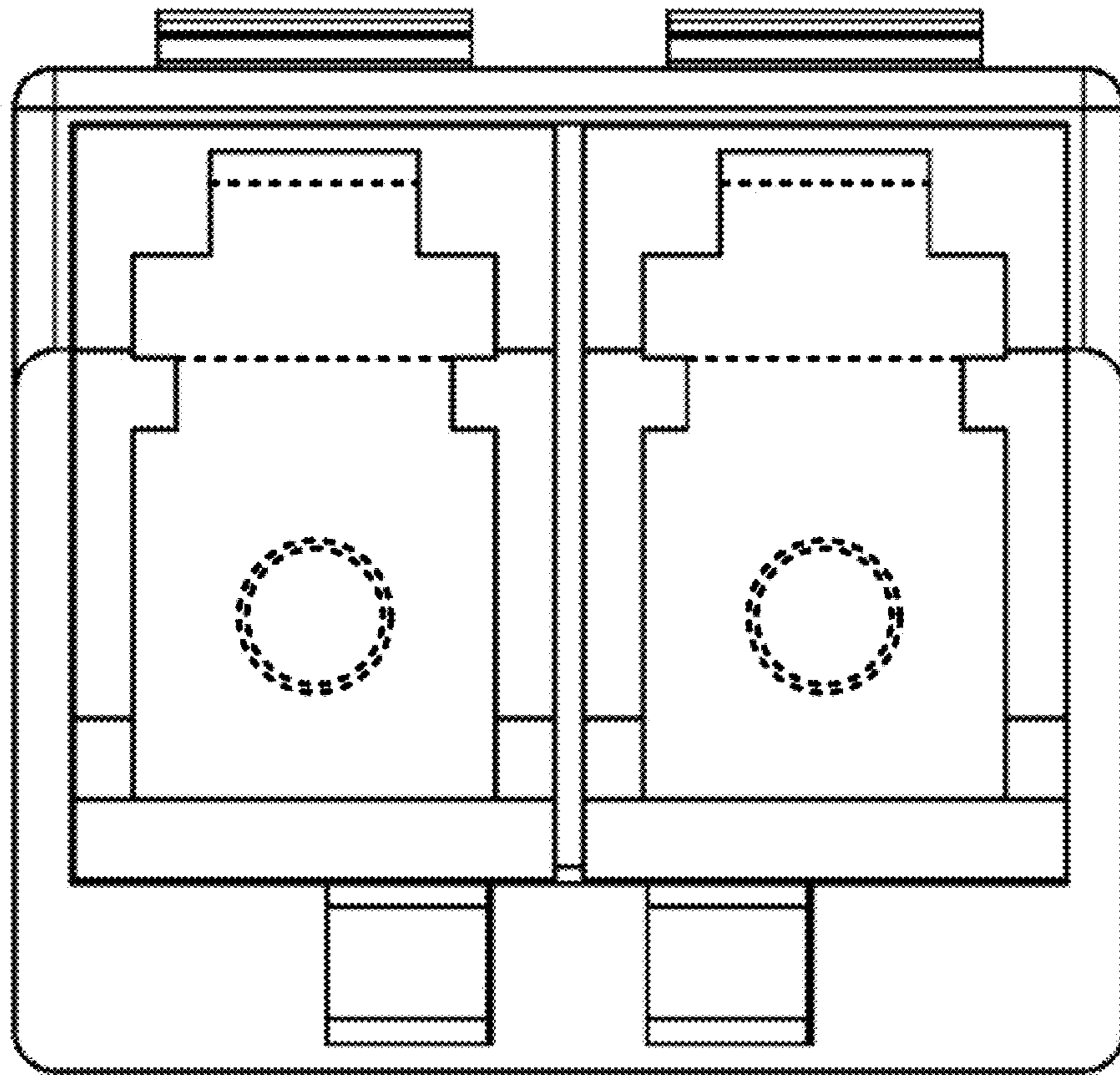


Fig. 2

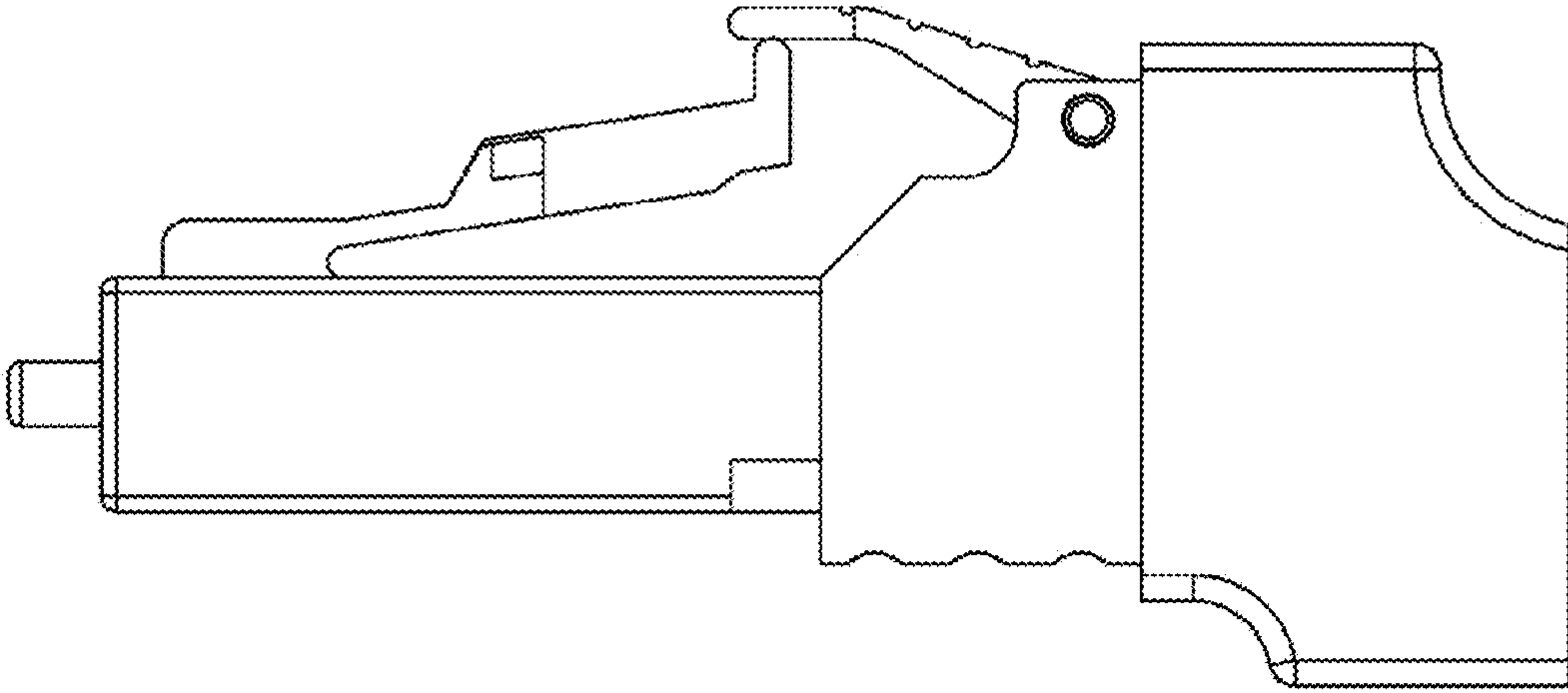


Fig. 3

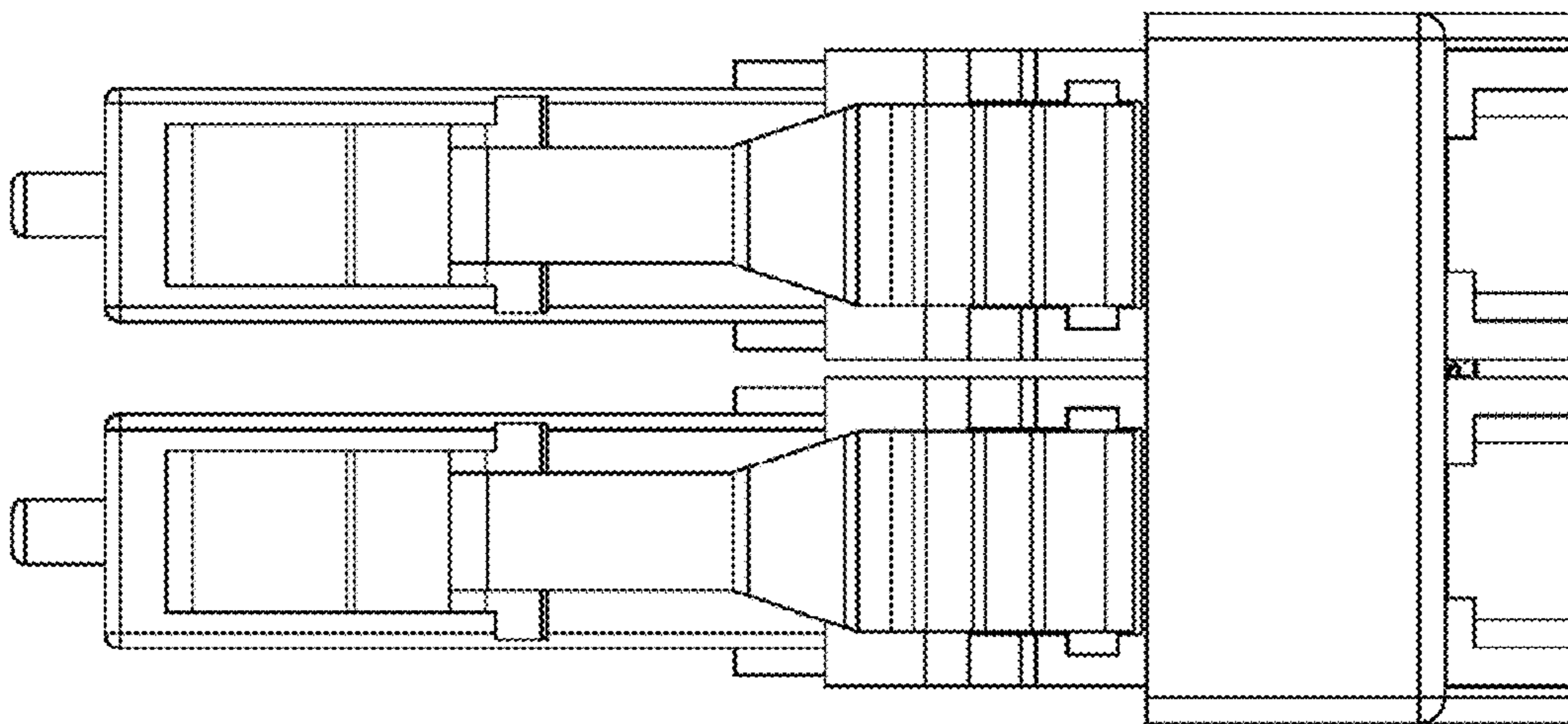


Fig. 4

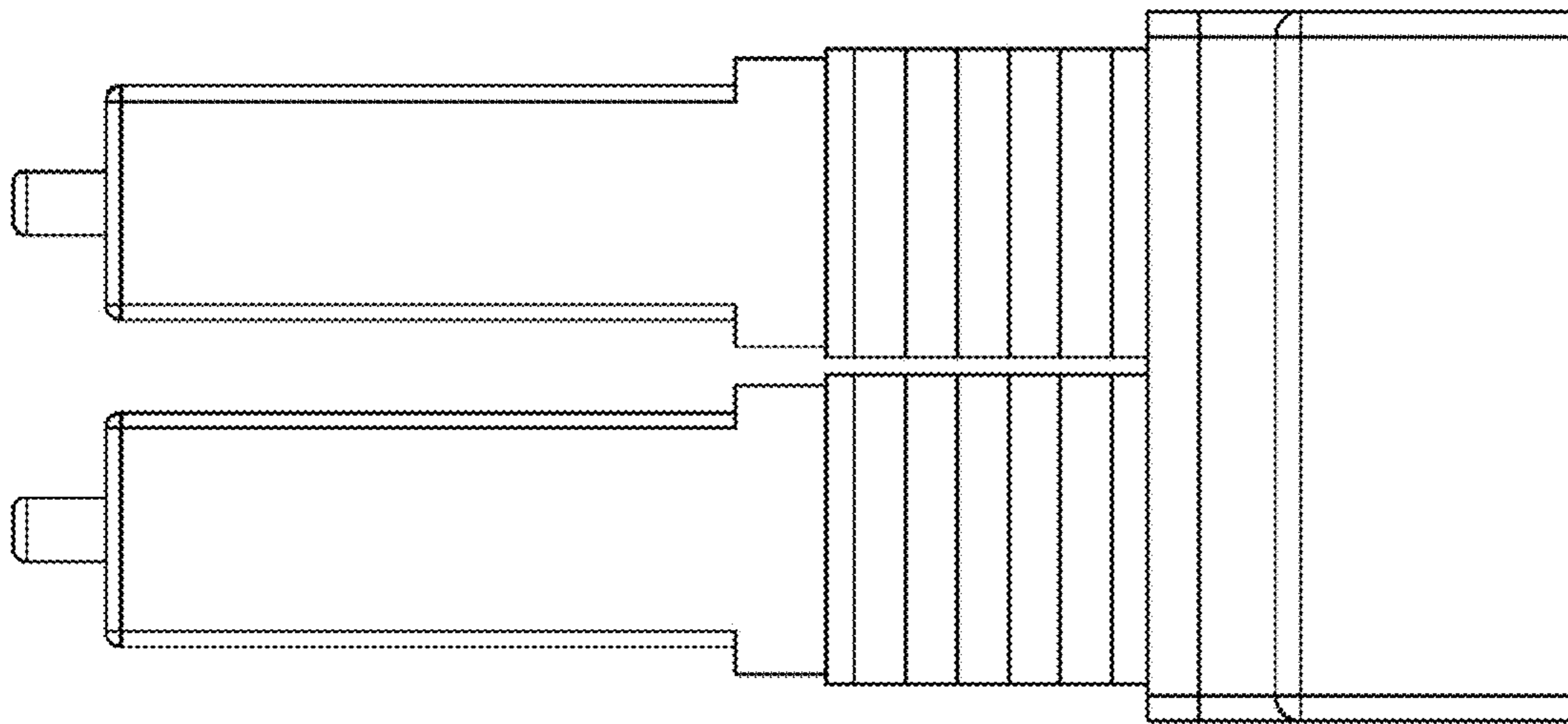


Fig. 5