



US00D678201S

(12) **United States Design Patent**
Corona

(10) **Patent No.:** **US D678,201 S**
(45) **Date of Patent:** **** Mar. 19, 2013**

(54) **ELECTRICAL CONNECTOR**

(75) Inventor: **Sergio Corona**, Upland, CA (US)

(73) Assignee: **DSM&T Company, Inc.**, Fontana, CA (US)

(**) Term: **14 Years**

(21) Appl. No.: **29/411,242**

(22) Filed: **Jan. 18, 2012**

(51) **LOC (9) Cl.** **13-03**

(52) **U.S. Cl.** **D13/133**

(58) **Field of Classification Search** D13/133,
D13/149, 151, 153, 154, 156, 199; 439/79,
439/248, 258, 274, 35, 352, 353, 358, 359,
439/362, 378, 445, 447, 578, 584, 585, 656,
439/66, 676, 677, 678, 679, 68, 681, 682,
439/686

See application file for complete search history.

(56) **References Cited**

U.S. PATENT DOCUMENTS

D286,397 S *	10/1986	Challans	D13/133
5,401,181 A	3/1995	Wilson		
D360,871 S	8/1995	Wilson		
D360,872 S	8/1995	Wilson		
D416,230 S *	11/1999	Narumo et al.	D13/147
D437,828 S	2/2001	Corona		
D439,221 S	3/2001	Corona		
D445,763 S	7/2001	Corona		
D446,186 S	8/2001	Corona		
6,379,169 B1	4/2002	Corona		
6,383,003 B1	5/2002	Corona		

D524,736 S *	7/2006	Morita et al.	D13/133
D555,594 S *	11/2007	So	D13/133
D571,727 S *	6/2008	Yang et al.	D13/133
7,390,210 B2	6/2008	Corona		
D573,536 S *	7/2008	Hariharesan et al.	D13/133
D586,750 S *	2/2009	Li	D13/133
D596,125 S *	7/2009	Norin et al.	D13/133
D613,246 S *	4/2010	Muecke et al.	D13/133
7,785,123 B2	8/2010	Corona		
RE42,230 E *	3/2011	Norin et al.	D13/133
D639,243 S *	6/2011	Gharib et al.	D13/133
D639,250 S *	6/2011	Svelnis et al.	D13/154
D651,171 S *	12/2011	Yamauchi et al.	D13/133
D651,172 S *	12/2011	Yamauchi et al.	D13/133

* cited by examiner

Primary Examiner — Thomas Johannes

(74) *Attorney, Agent, or Firm* — Keusey & Associates, P.C.

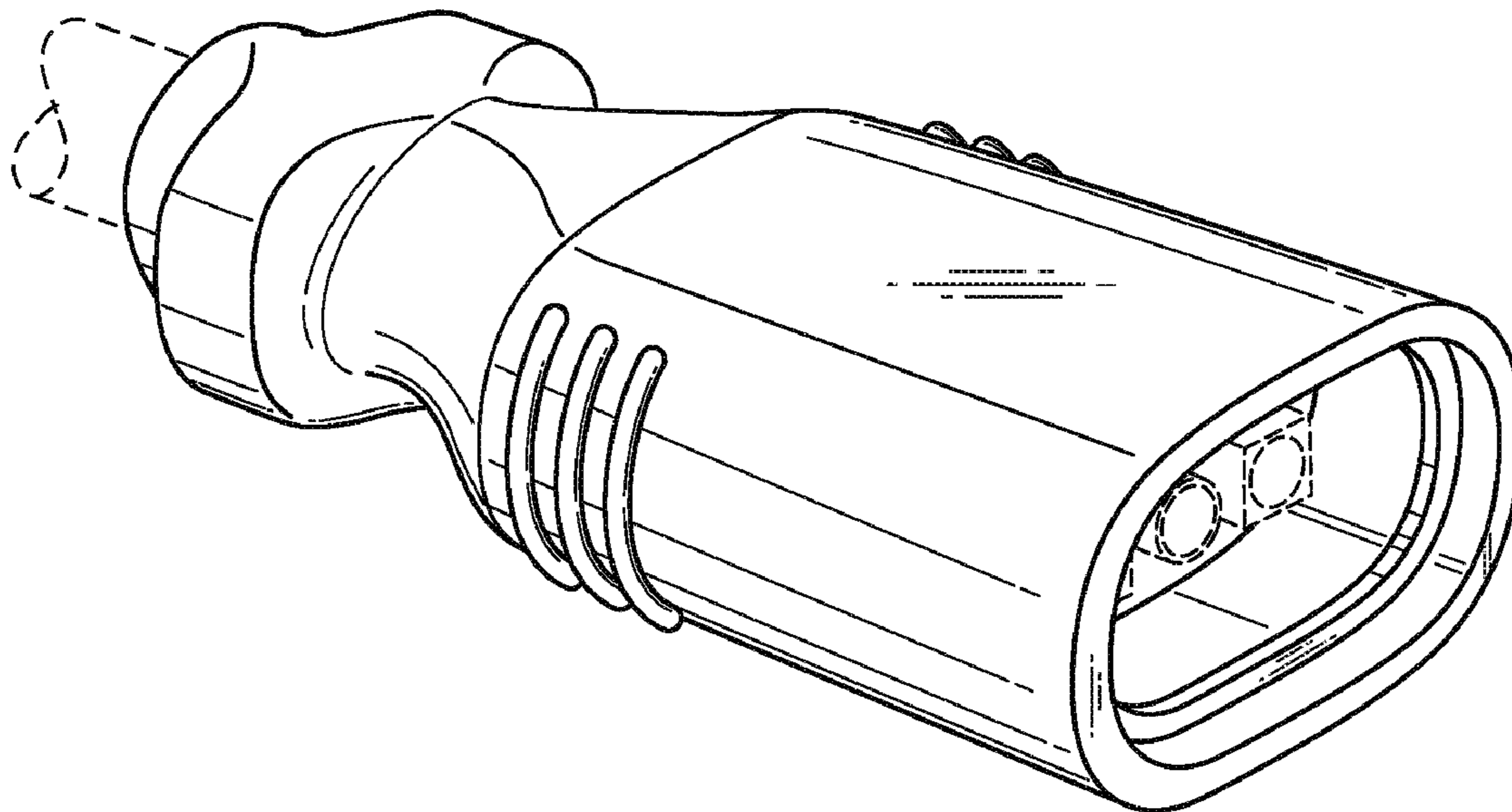
(57) **CLAIM**

I claim the ornamental design for an electrical connector, as shown and described.

DESCRIPTION

FIG. 1 is a front, top, left side perspective view of my new design for an electrical connector;
FIG. 2 is a left side elevation view thereof, the right side elevation view being a mirror image thereto;
FIG. 3 is a top plan view thereof, the bottom plan view being identical thereto;
FIG. 4 is a front side elevation view thereof; and,
FIG. 5 is a rear side elevation view thereof. The broken lines are included to show unclaimed environmental structure and form no part of the claimed design.

1 Claim, 2 Drawing Sheets



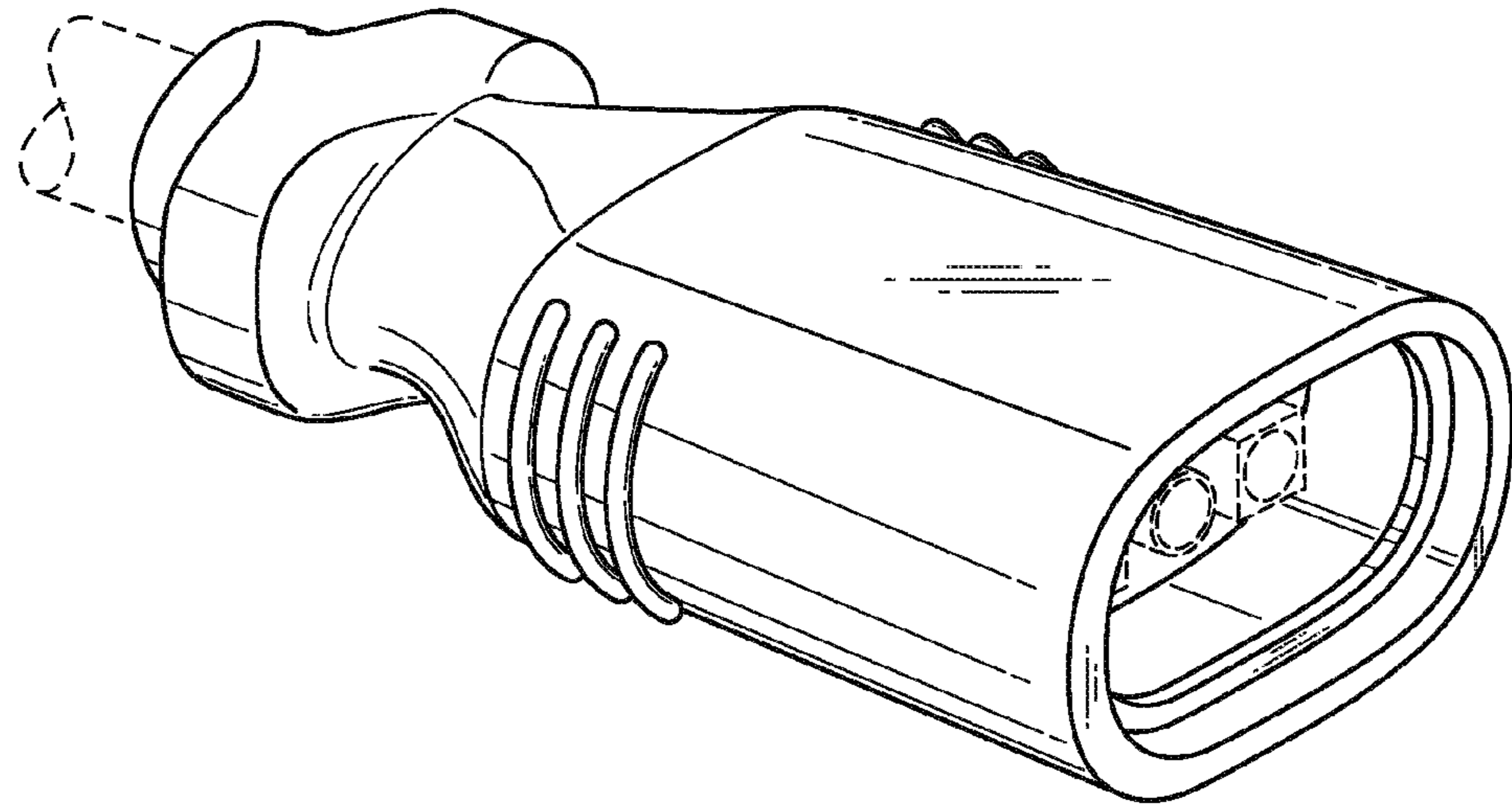


FIG. 1

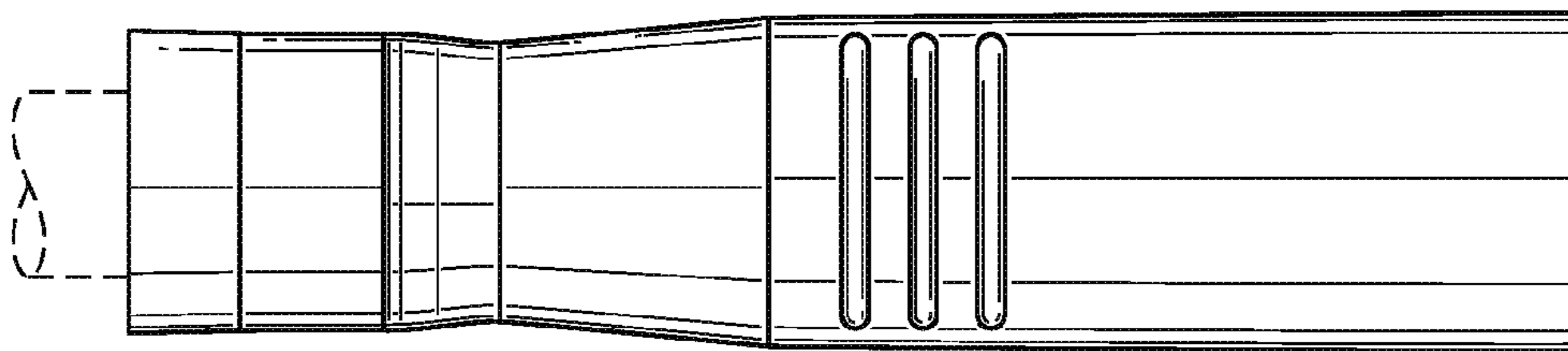


FIG. 2

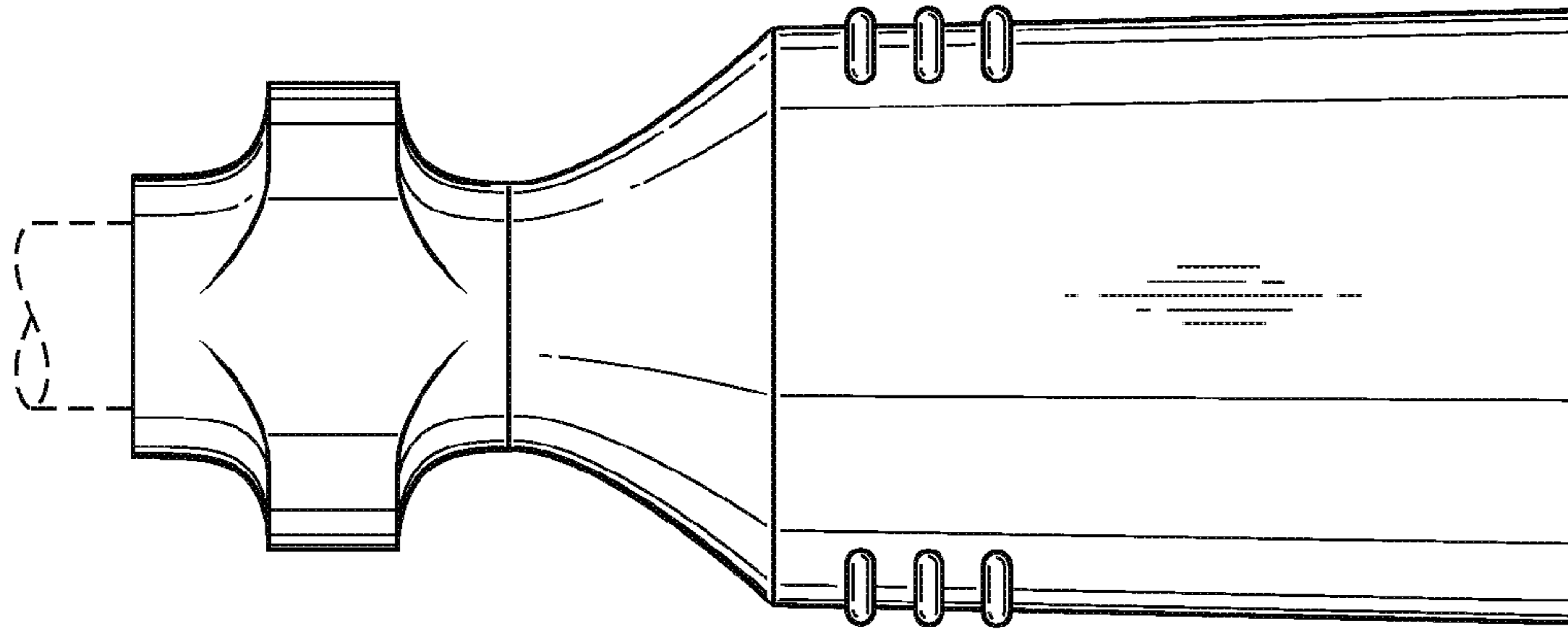


FIG. 3

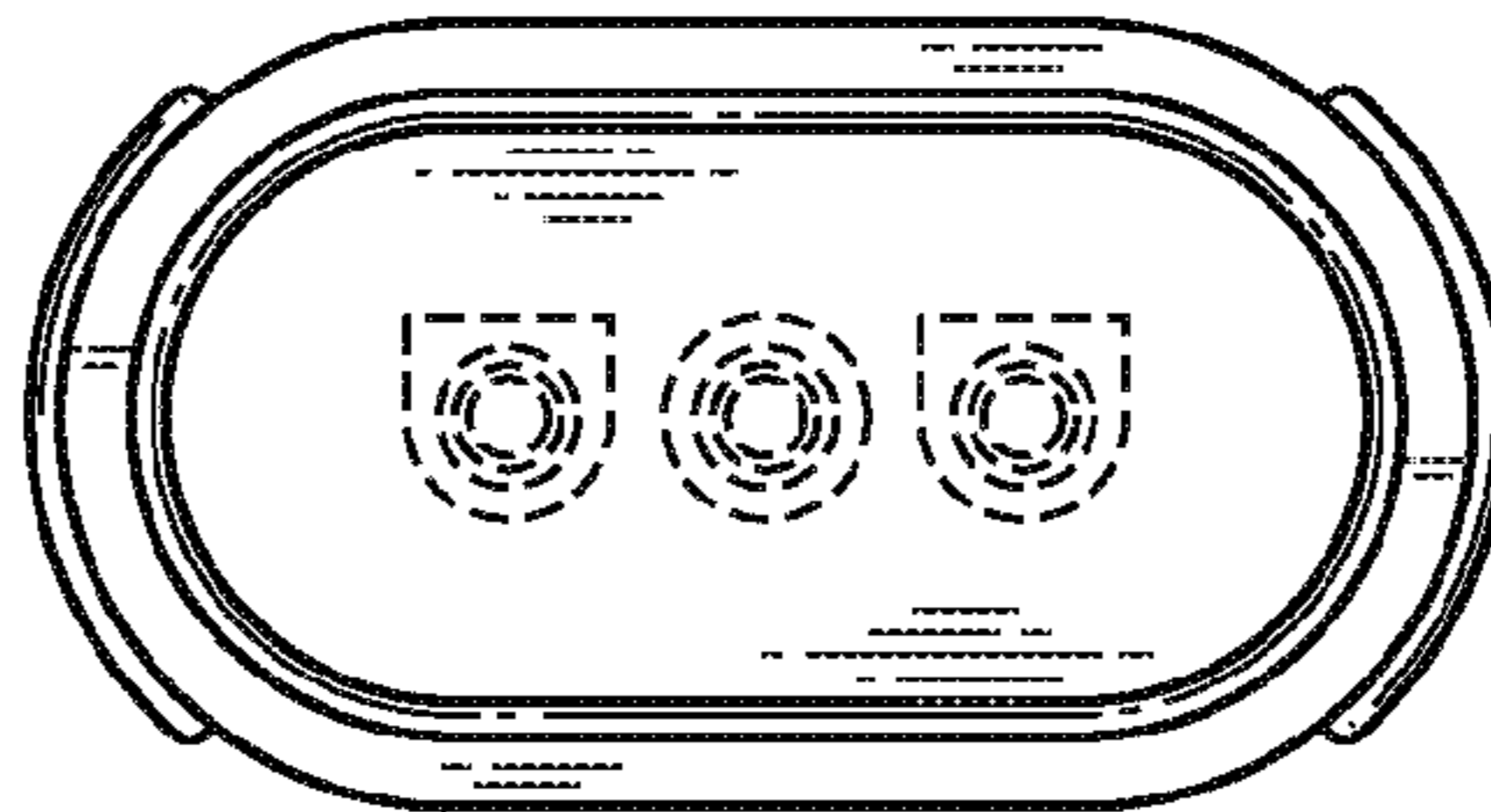


FIG. 4

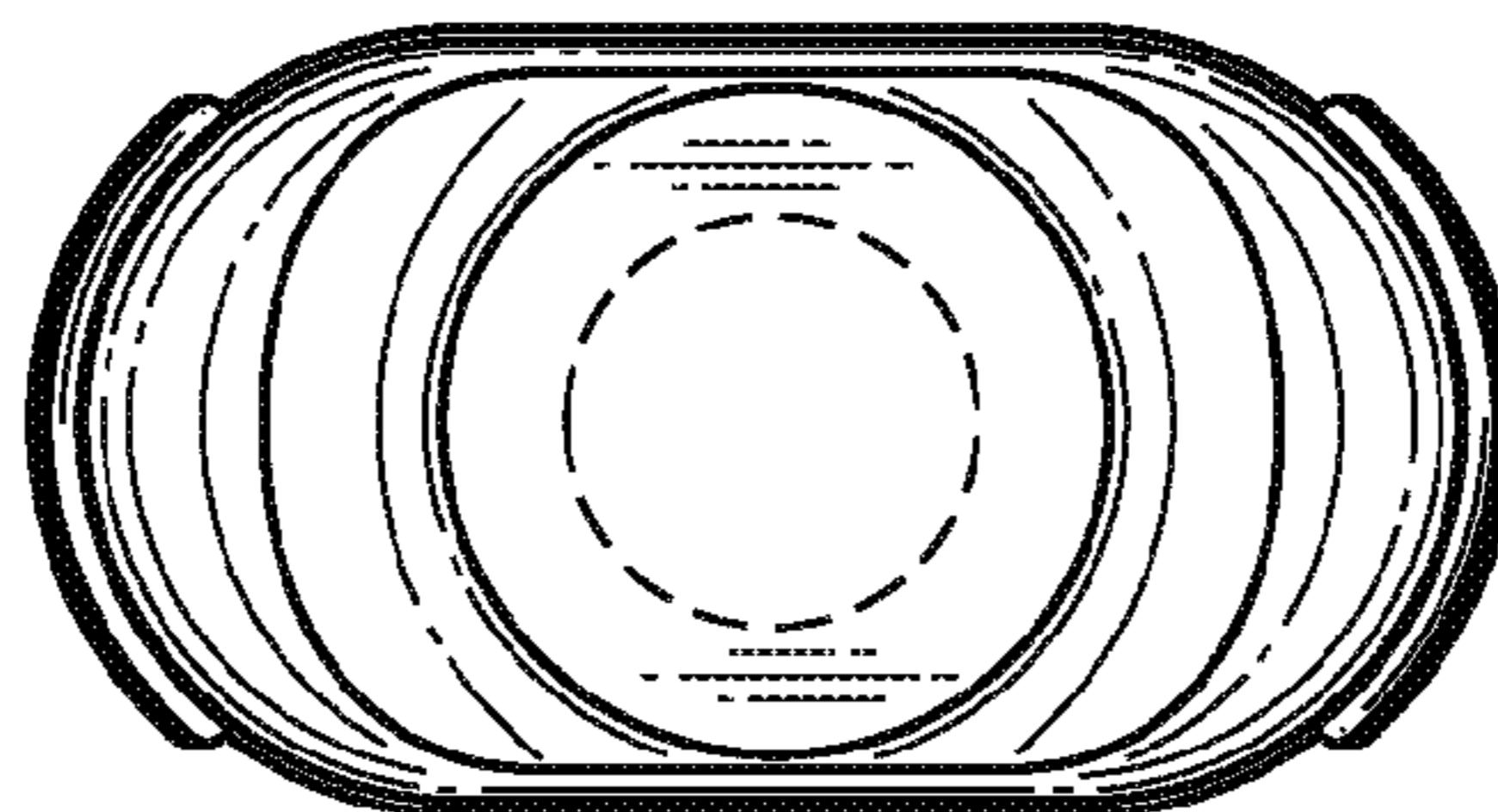


FIG. 5