



US00D678198S

(12) **United States Design Patent**
Izen et al.

(10) **Patent No.:** **US D678,198 S**
(45) **Date of Patent:** **** Mar. 19, 2013**

(54) **CABLE CONNECTOR**

(75) Inventors: **Mark S. Izen**, Chestnut Hill, MA (US);
Craig Small, Framingham, MA (US)

(73) Assignee: **First Act, Inc.**, Boston, MA (US)

(**) Term: **14 Years**

(21) Appl. No.: **29/410,560**

(22) Filed: **Jan. 9, 2012**

(51) **LOC (9) Cl.** **13-03**

(52) **U.S. Cl.** **D13/133**

(58) **Field of Classification Search** D13/120,
D13/133, 146, 147, 149, 151, 154, 184, 199;
439/180, 246, 252, 278, 374, 378, 379, 380,
439/381, 527, 529, 533, 675, 750, 842, 851,
439/889, 892, 894, 944, 948

See application file for complete search history.

(56) **References Cited**

U.S. PATENT DOCUMENTS

7,304,243	B2 *	12/2007	Polidori	174/84 C
7,484,990	B1 *	2/2009	Lee et al.	439/369
D597,946	S *	8/2009	Li	D13/133
7,723,611	B2 *	5/2010	Stagi et al.	174/15.1
D637,560	S *	5/2011	Pera	D13/154

D657,317	S *	4/2012	Tanaka et al.	D13/161
2007/0190487	A1 *	8/2007	Pollock et al.	433/126
2012/0003862	A1 *	1/2012	Newman et al.	439/488

* cited by examiner

Primary Examiner — Thomas Johannes

(74) *Attorney, Agent, or Firm* — Lando & Anastasi, LLP

(57) **CLAIM**

The ornamental design for a cable connector, as shown and described.

DESCRIPTION

FIG. 1 is a perspective view of the cable connector according to our new design.

FIG. 2 is a top plan view.

FIG. 3 is a bottom plan view.

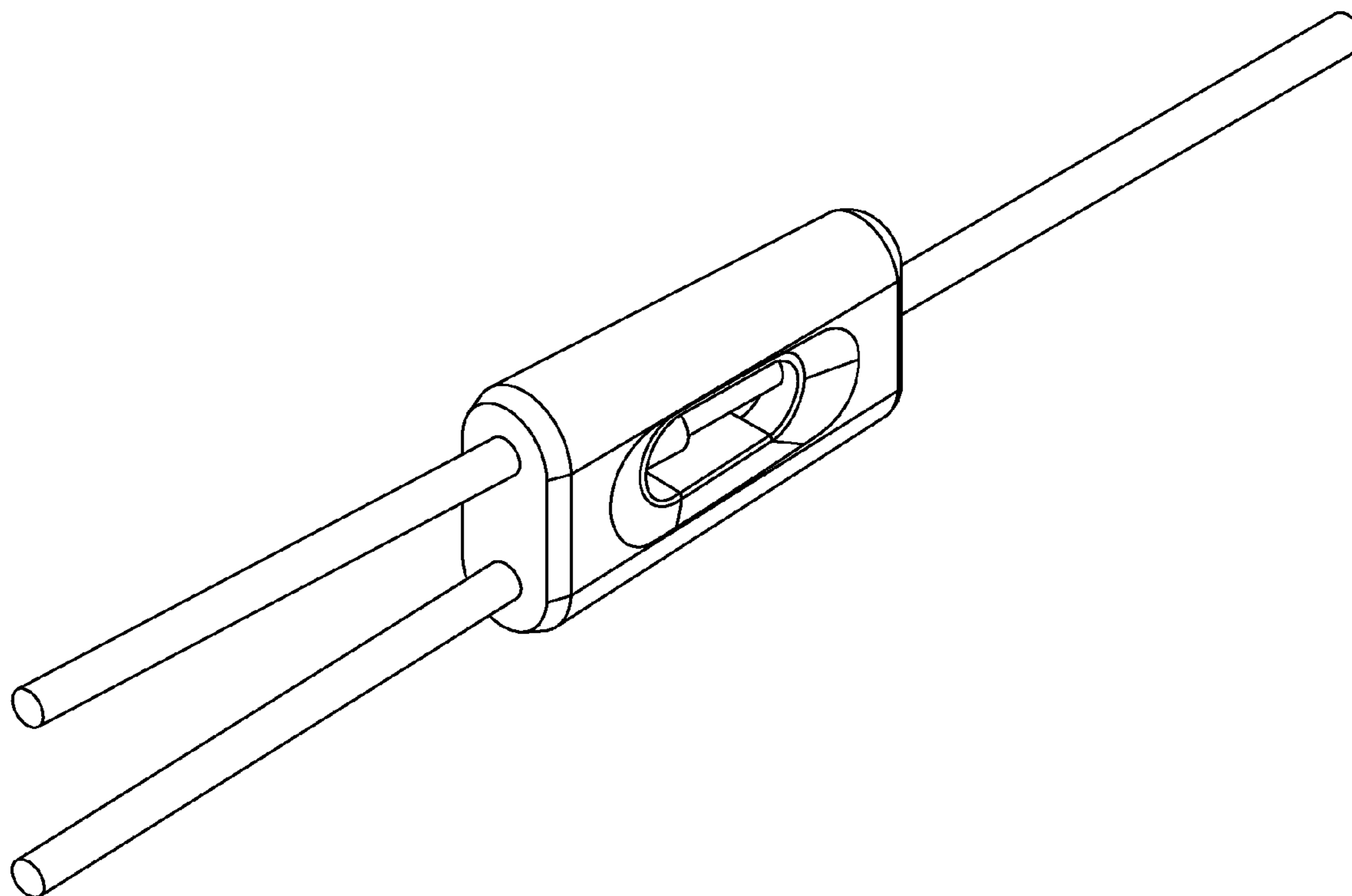
FIG. 4 is an elevation view as seen from the right side in FIG. 2.

FIG. 5 is an elevation view as seen from the left side in FIG. 2.

FIG. 6 is an elevation view as seen from the top in FIG. 2; and, FIG. 7 is an elevation view as seen from the bottom in FIG. 2.

The broken lines shown in the drawing show unclaimed subject matter only and form no part of the claimed design.

1 Claim, 7 Drawing Sheets



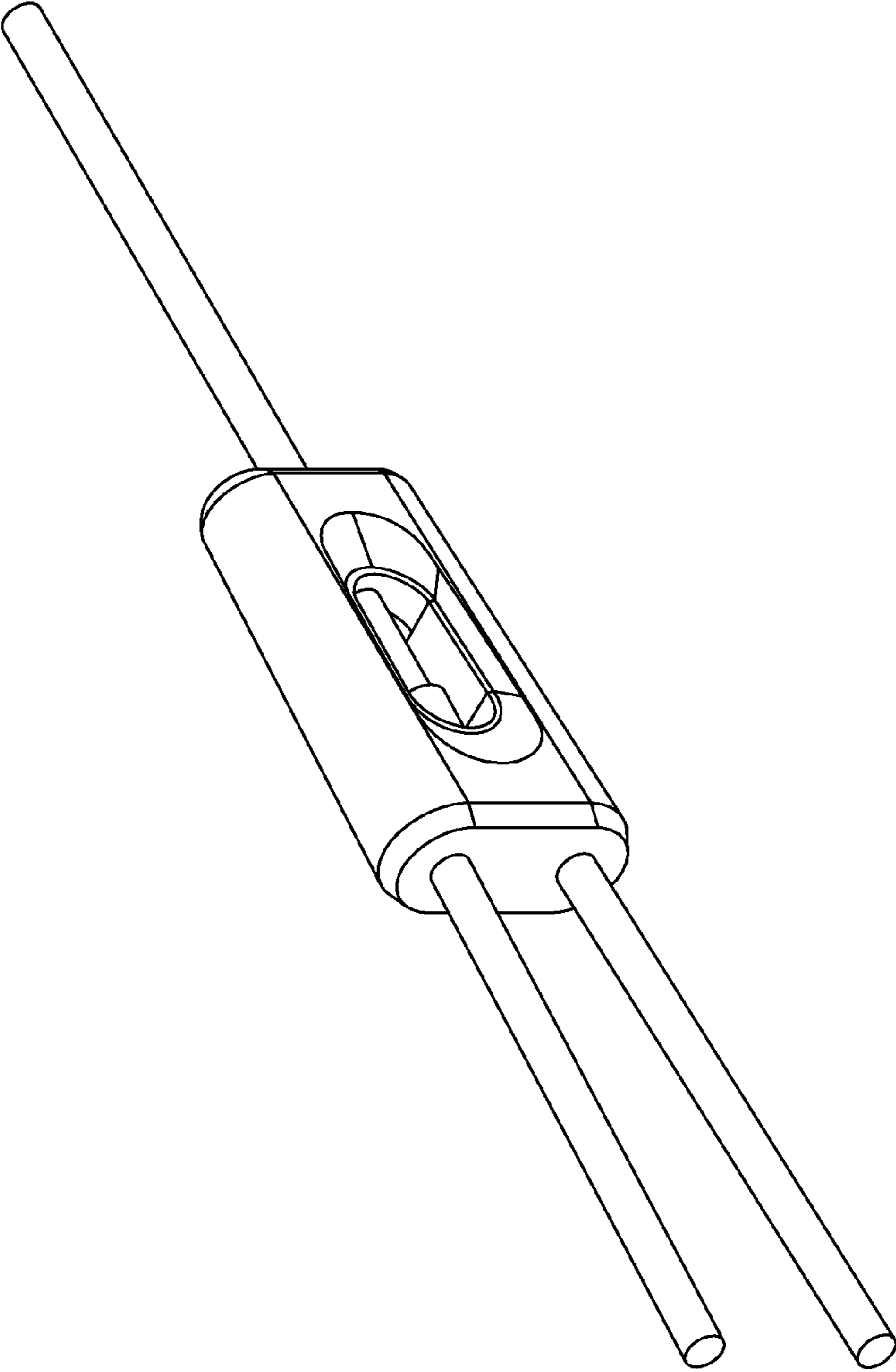


Fig. 1

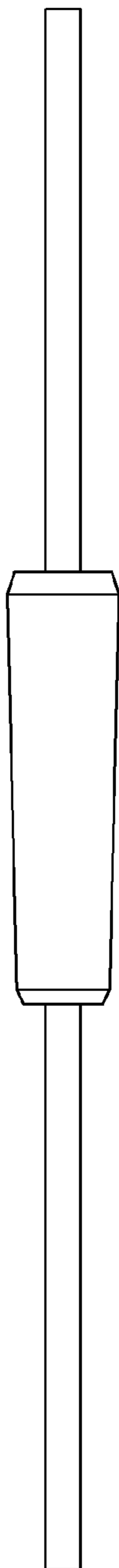


Fig. 2

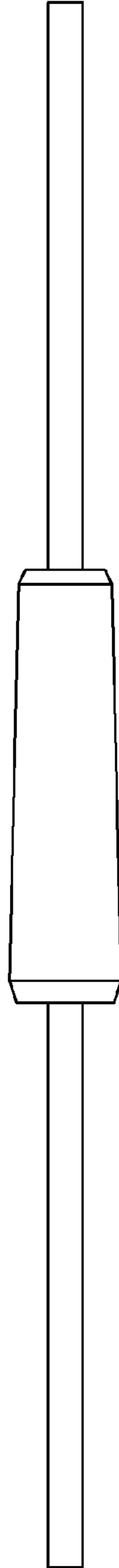


Fig. 3

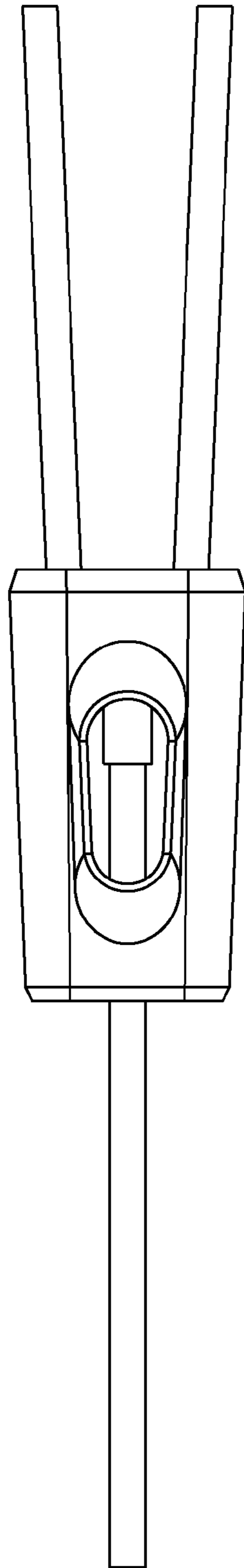


Fig. 4

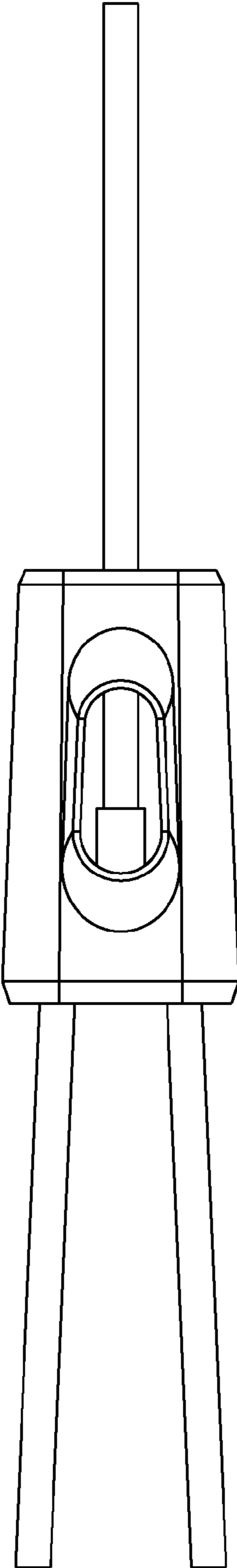


Fig. 5

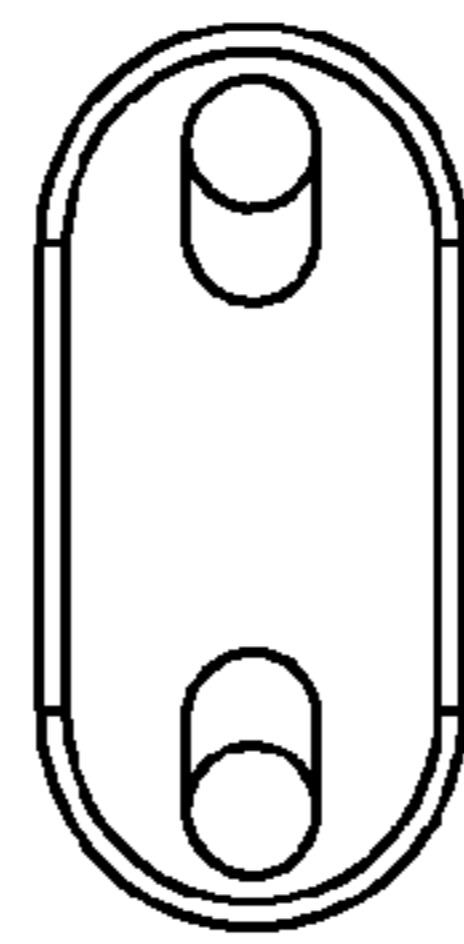


Fig. 6

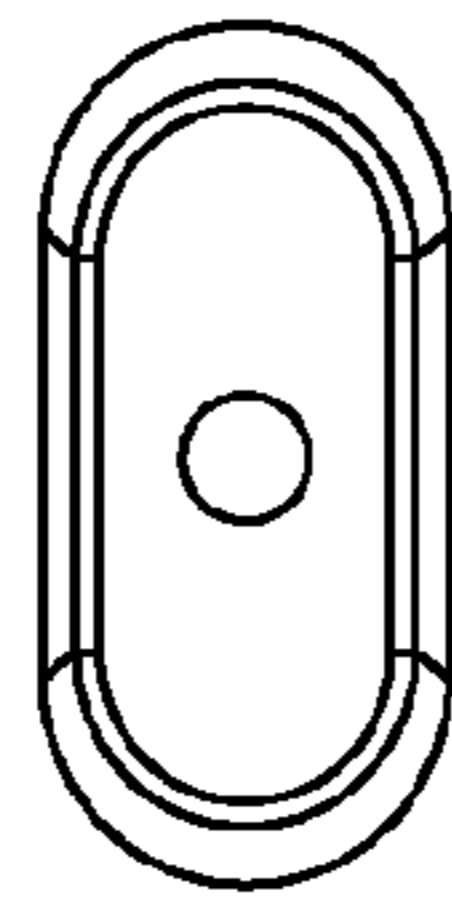


Fig. 7