



US00D678197S

(12) **United States Design Patent**
Kagelmacher et al.

(10) **Patent No.:** **US D678,197 S**
(45) **Date of Patent:** **** Mar. 19, 2013**

- (54) **ABS SENSOR CORD ADAPTOR**
- (76) Inventors: **David R. Kagelmacher**, North
Tonawanda, NY (US); **David J. Levan**,
North Collins, NY (US); **Jeffrey**
McKeown, Wake Forest, NC (US)
- (**) Term: **14 Years**
- (21) Appl. No.: **29/401,774**
- (22) Filed: **Sep. 15, 2011**
- (51) **LOC (9) Cl.** **13-03**
- (52) **U.S. Cl.** **D13/133**
- (58) **Field of Classification Search** D13/133,
D13/149, 151, 153, 154, 156, 199; 439/79,
439/248, 258, 274, 35, 352, 353, 358, 359,
439/362, 378, 445, 447, 578, 584, 585, 656,
439/66, 676, 677, 678, 679, 68, 681, 682,
439/686

See application file for complete search history.

(56) **References Cited**

U.S. PATENT DOCUMENTS

D222,263	S	*	10/1971	De Sio	D13/133
3,720,904	A	*	3/1973	De Sio	439/131
4,400,048	A	*	8/1983	Sacks	334/46
D291,303	S	*	8/1987	Wood et al.	D13/133

D514,070	S	*	1/2006	Bachmann	D13/149
D596,579	S	*	7/2009	Chawgo et al.	D13/151
D596,580	S	*	7/2009	Chawgo et al.	D13/151
D596,581	S	*	7/2009	Amidon	D13/151
7,661,979	B2	*	2/2010	Hughes et al.	439/445
D616,821	S	*	6/2010	The	D13/133

* cited by examiner

Primary Examiner — Thomas Johannes

(74) *Attorney, Agent, or Firm* — Phillips Lytle LLP

(57) **CLAIM**

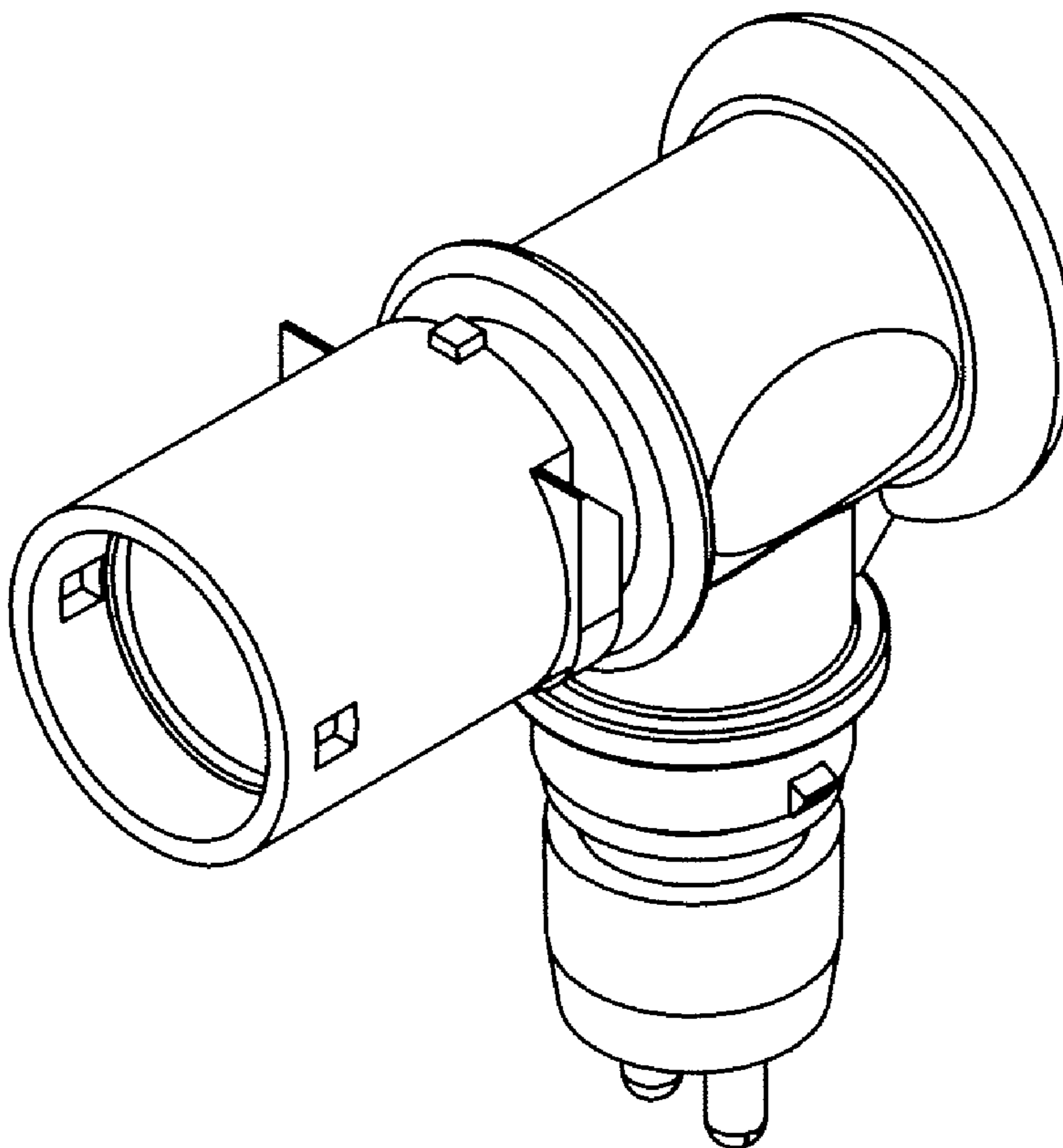
We claim the ornamental design for an ABS sensor cord adaptor, as shown and described.

DESCRIPTION

FIG. 1 is a perspective view of an ABS sensor cord adaptor showing our new design;
 FIG. 2 is a left side view thereof;
 FIG. 3 is a right side view thereof;
 FIG. 4 is a front view thereof;
 FIG. 5 is a rear view thereof;
 FIG. 6 is a top view thereof; and,
 FIG. 7 is a bottom view thereof.

The broken line portion of the figure drawings is included to show unclaimed subject matter only and forms no part of the claimed design.

1 Claim, 3 Drawing Sheets



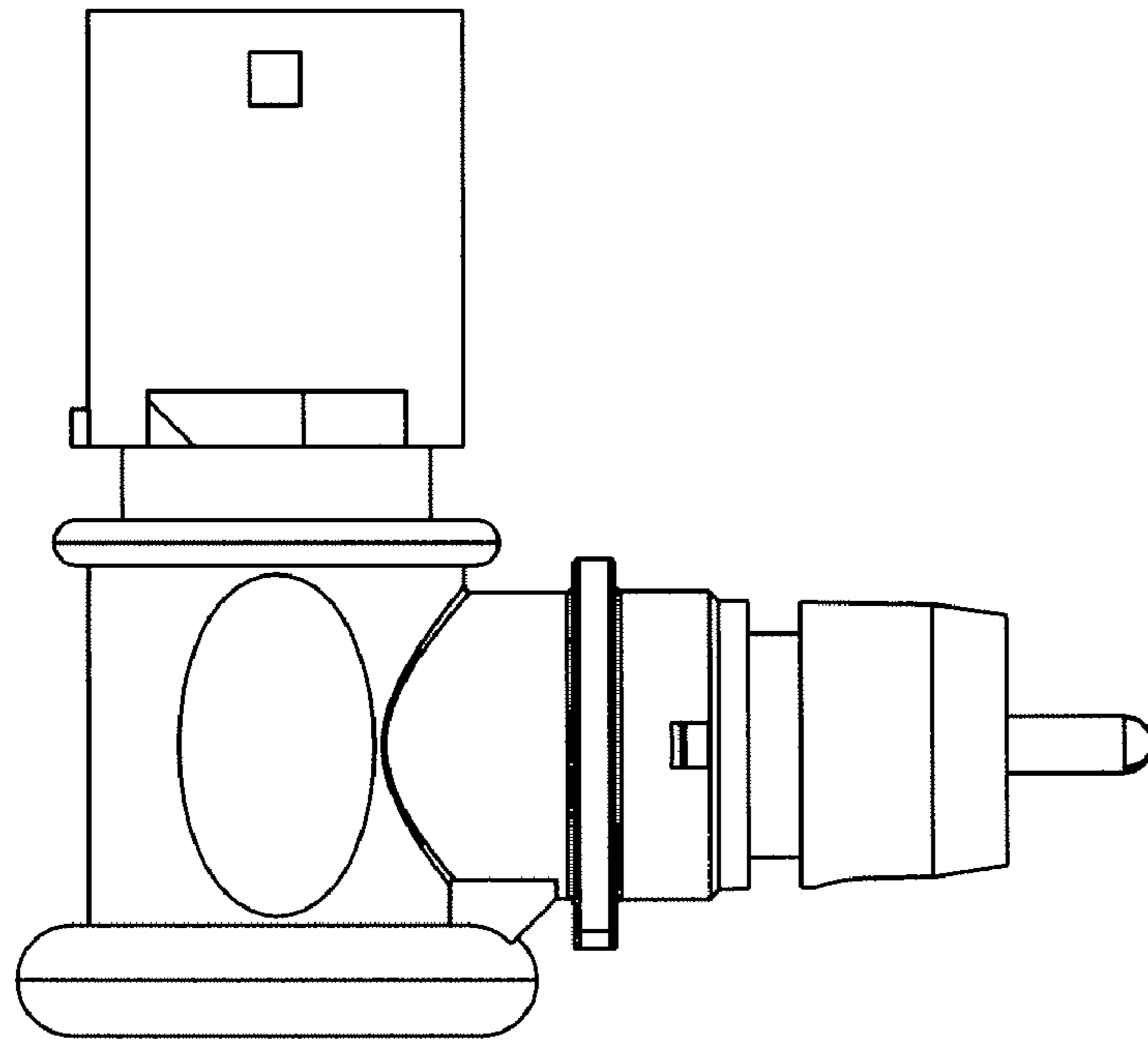


FIG. 2

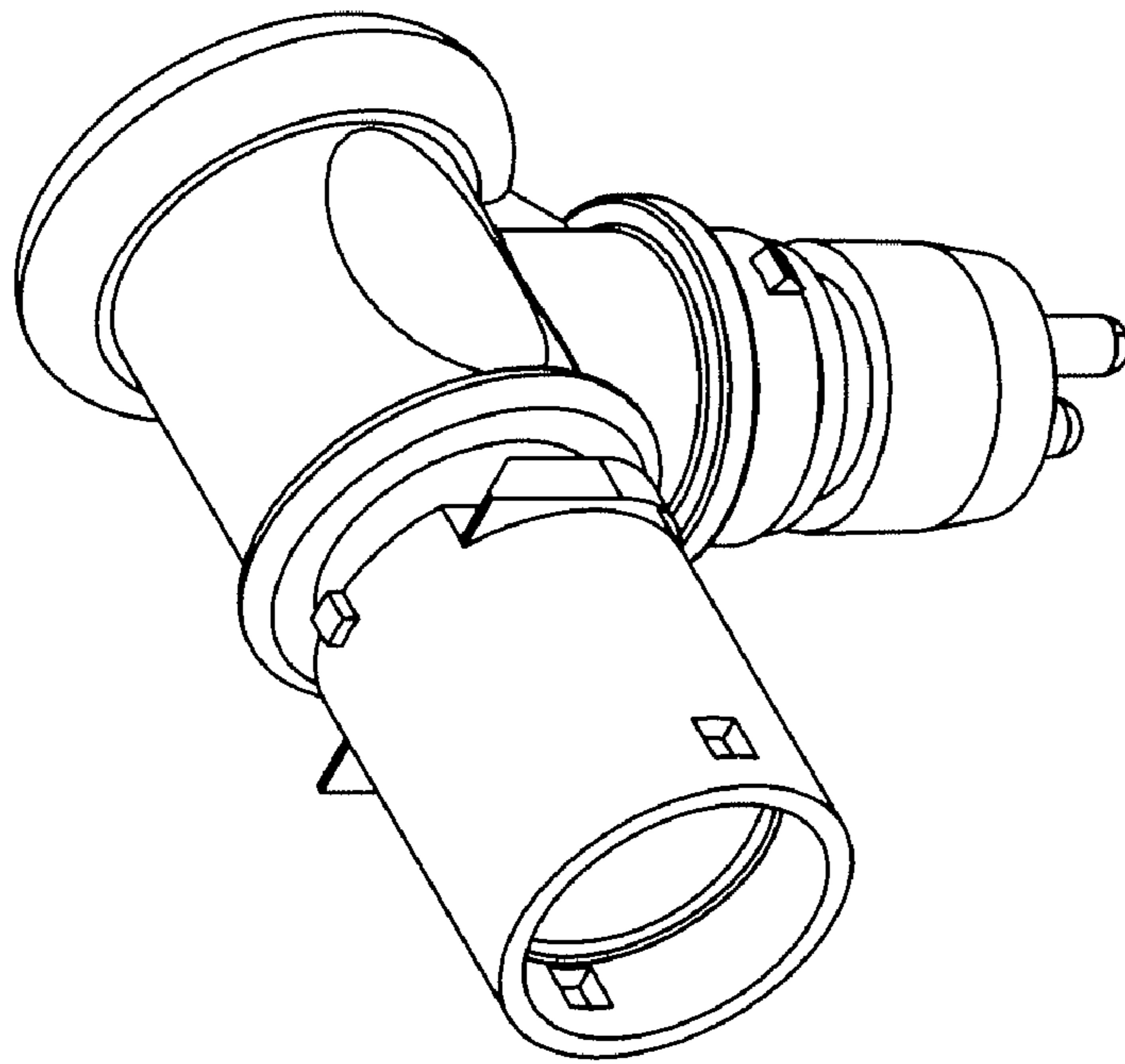


FIG. 1

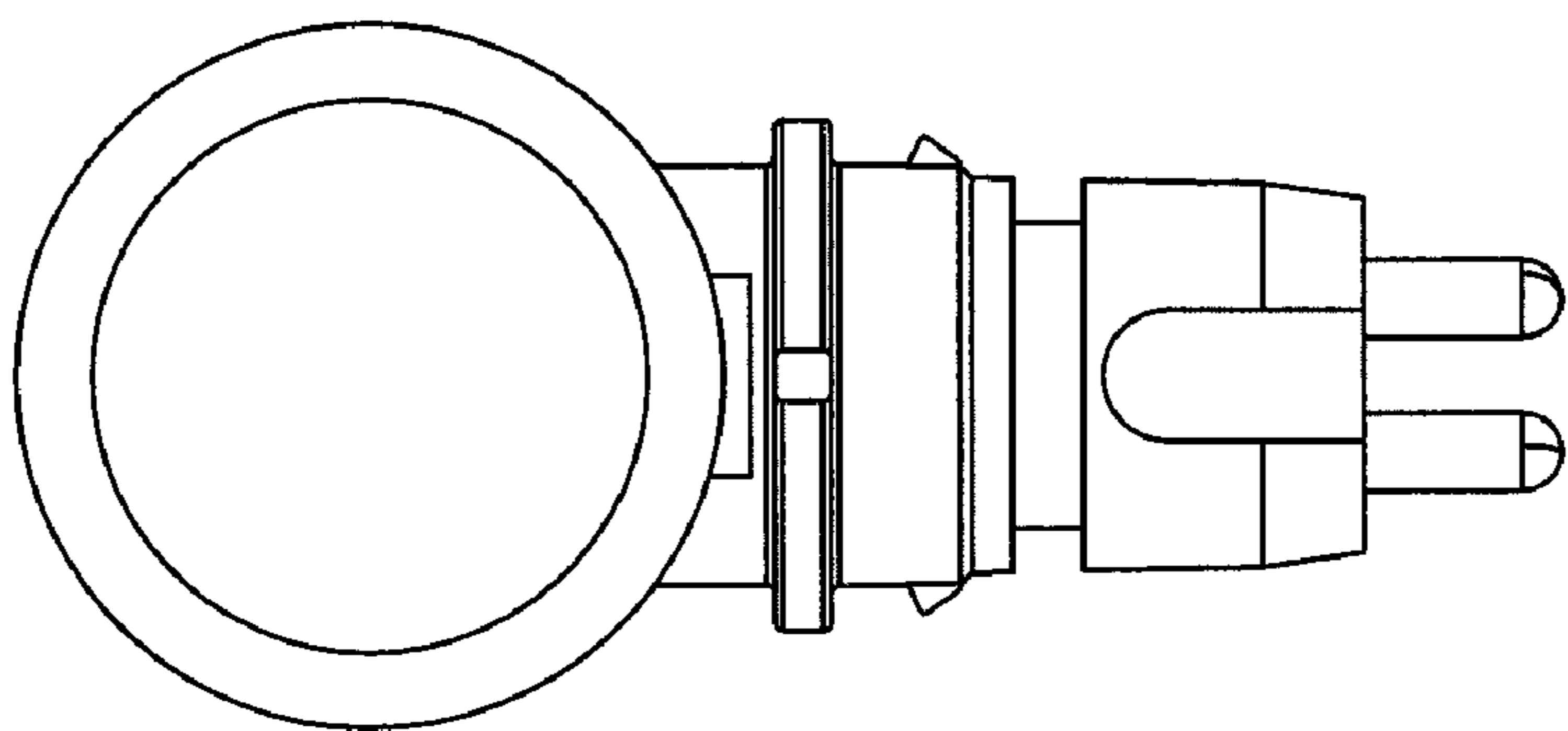


FIG. 5

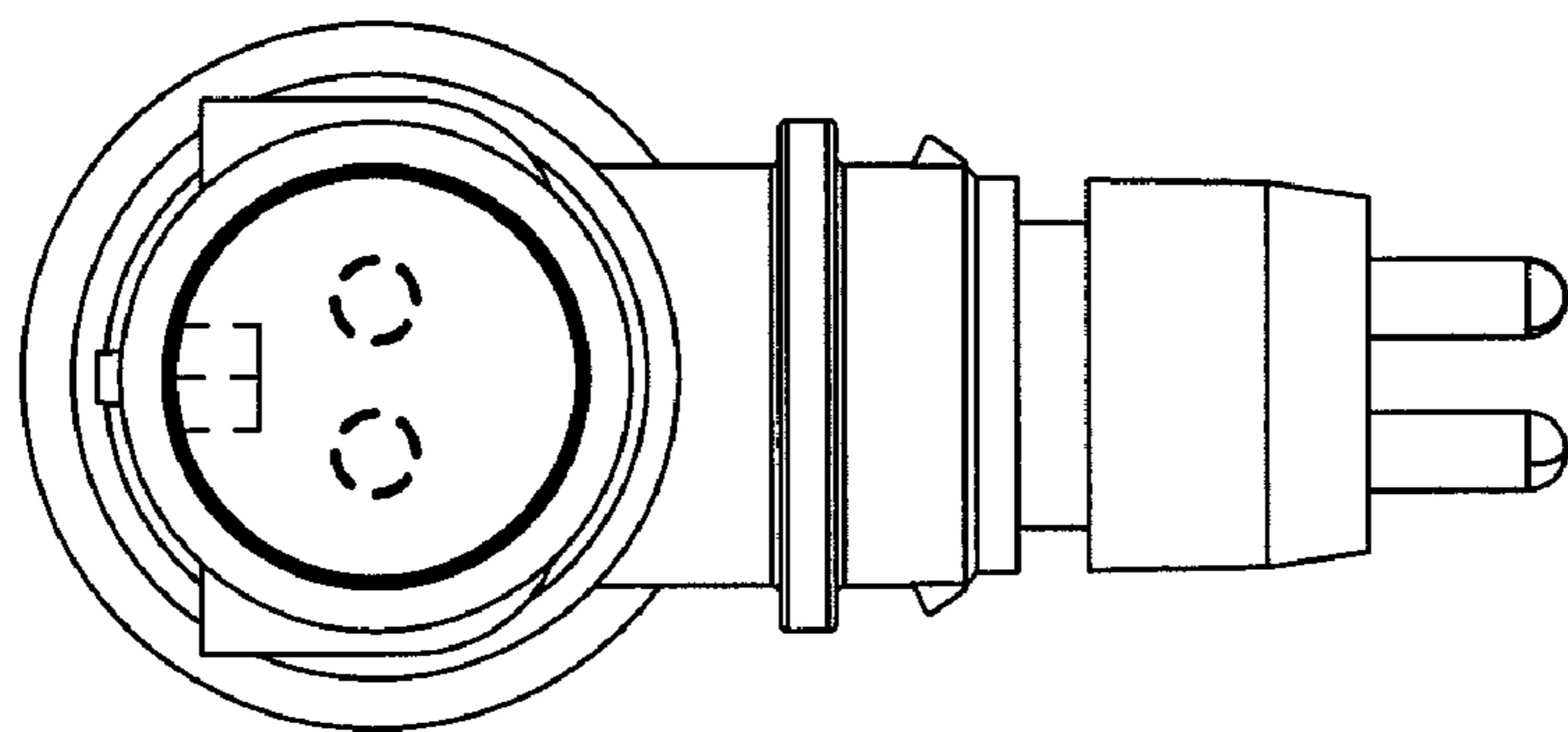


FIG. 4

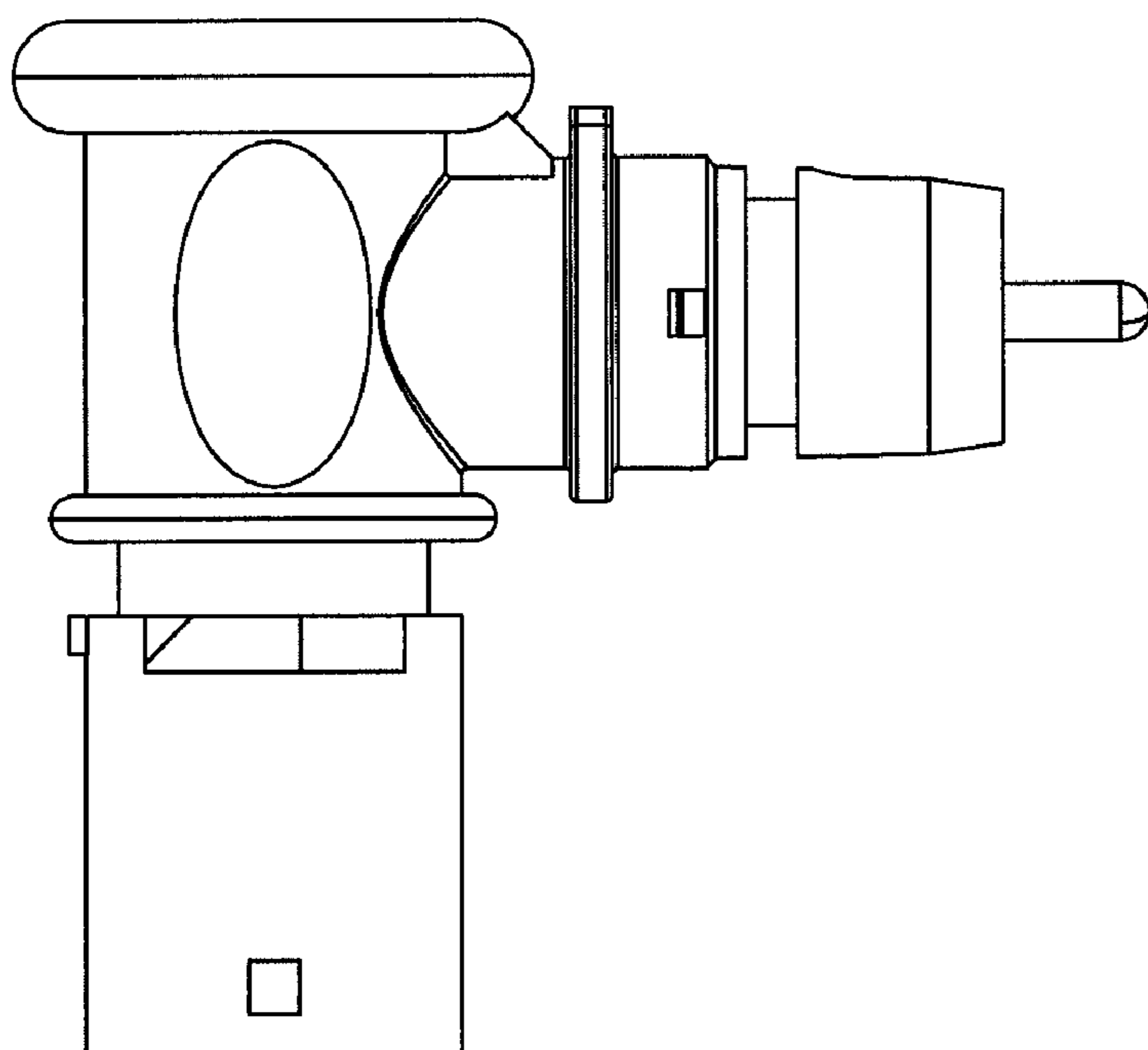


FIG. 3

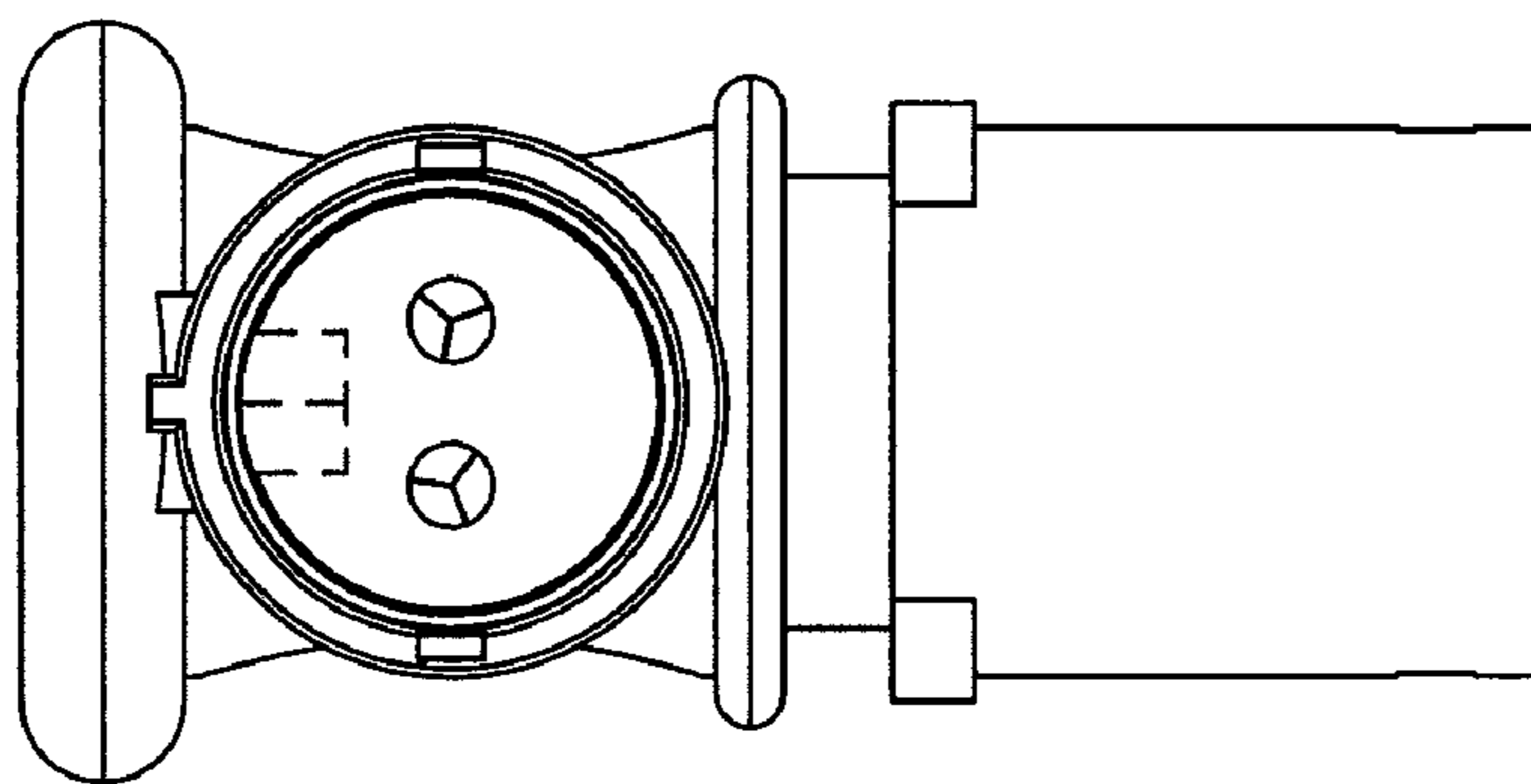


FIG. 7

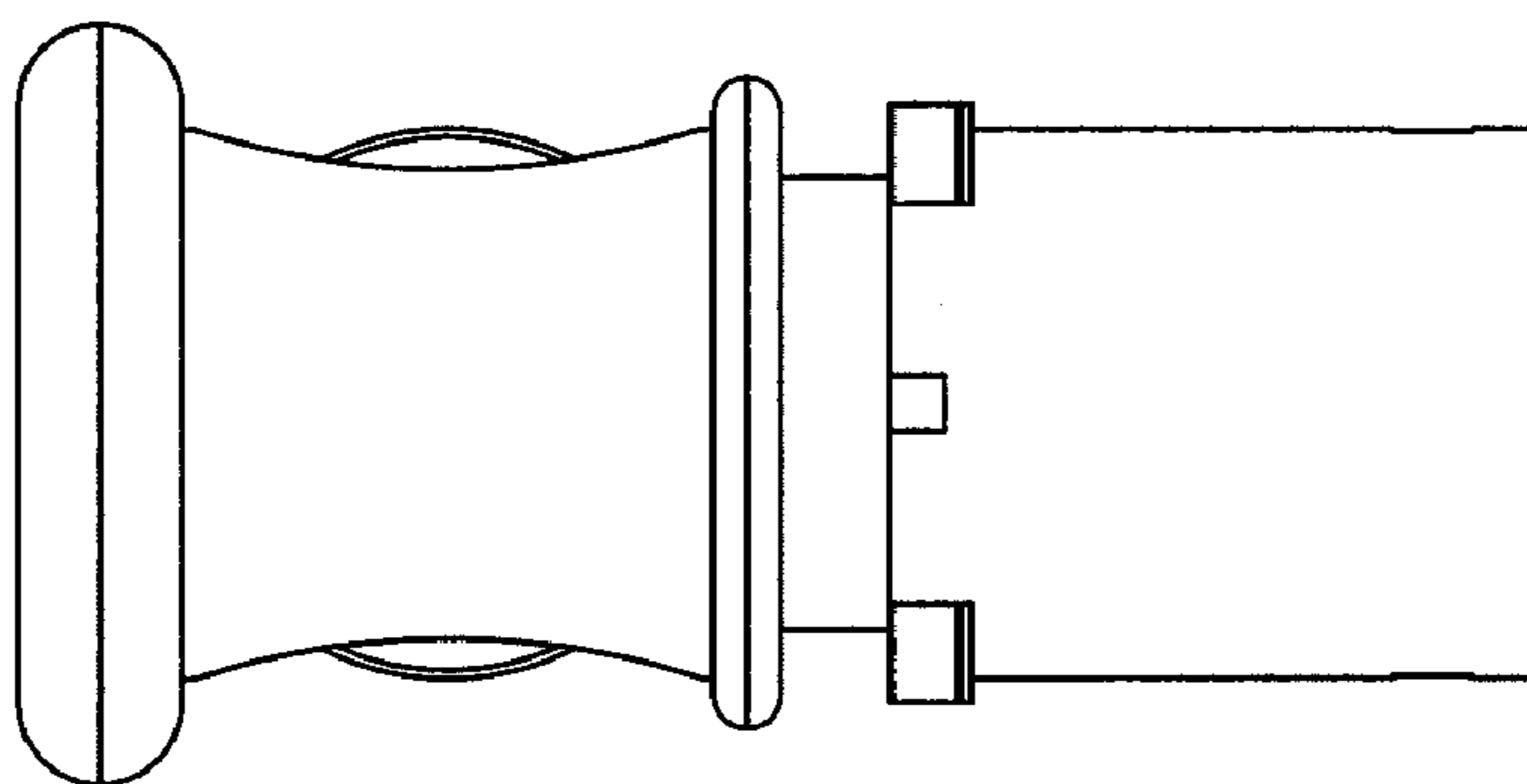


FIG. 6