



US00D678196S

(12) **United States Design Patent**
Miyauchi et al.

(10) **Patent No.:** **US D678,196 S**
(45) **Date of Patent:** **** Mar. 19, 2013**

(54) **INPUT SIGNAL SELECTOR FOR PROJECTOR**

(75) Inventors: **Hiroto Miyauchi**, Matsumoto (JP);
Teruhiko Unno, Shiojiri (JP)
(73) Assignee: **Seiko Epson Corporation**, Tokyo (JP)
(**) Term: **14 Years**

(21) Appl. No.: **29/396,231**

(22) Filed: **Jun. 28, 2011**

(30) **Foreign Application Priority Data**

Jan. 7, 2011 (JP) 2011-000188

(51) **LOC (9) Cl.** **13-03**

(52) **U.S. Cl.** **D13/123; D13/164**

(58) **Field of Classification Search** D13/110,
D13/119, 123, 133, 146, 147, 152, 158-164,
D13/171, 173, 174, 177, 178, 184, 199; 455/89,
455/90, 346-349; 361/601, 622, 627-628,
361/679-681, 690; 340/825.22, 825.24

See application file for complete search history.

(56) **References Cited**

U.S. PATENT DOCUMENTS

D328,591	S	*	8/1992	Yokoi et al.	D14/357
D329,221	S	*	9/1992	Khoo	D13/107
D431,535	S	*	10/2000	Kubis et al.	D13/164
D473,195	S	*	4/2003	Wang	D13/158
D485,545	S	*	1/2004	Wang	D14/217
D585,374	S	*	1/2009	Kim	D13/123
D663,760	S	*	7/2012	Miyauchi et al.	D16/230

* cited by examiner

Primary Examiner — Thomas Johannes

(57) **CLAIM**

The ornamental design for an input signal selector for projector, as shown.

DESCRIPTION

FIG. 1 is a front, top and right side perspective view of an input signal selector for projector showing our new design; FIG. 2 is a rear, top and left side perspective view thereof; FIG. 3 is a front view thereof; FIG. 4 is a rear view thereof; FIG. 5 is a top plan view thereof; FIG. 6 is a bottom plan view thereof; FIG. 7 is a right side elevational view thereof; and, FIG. 8 is a left side elevational view thereof.

1 Claim, 4 Drawing Sheets

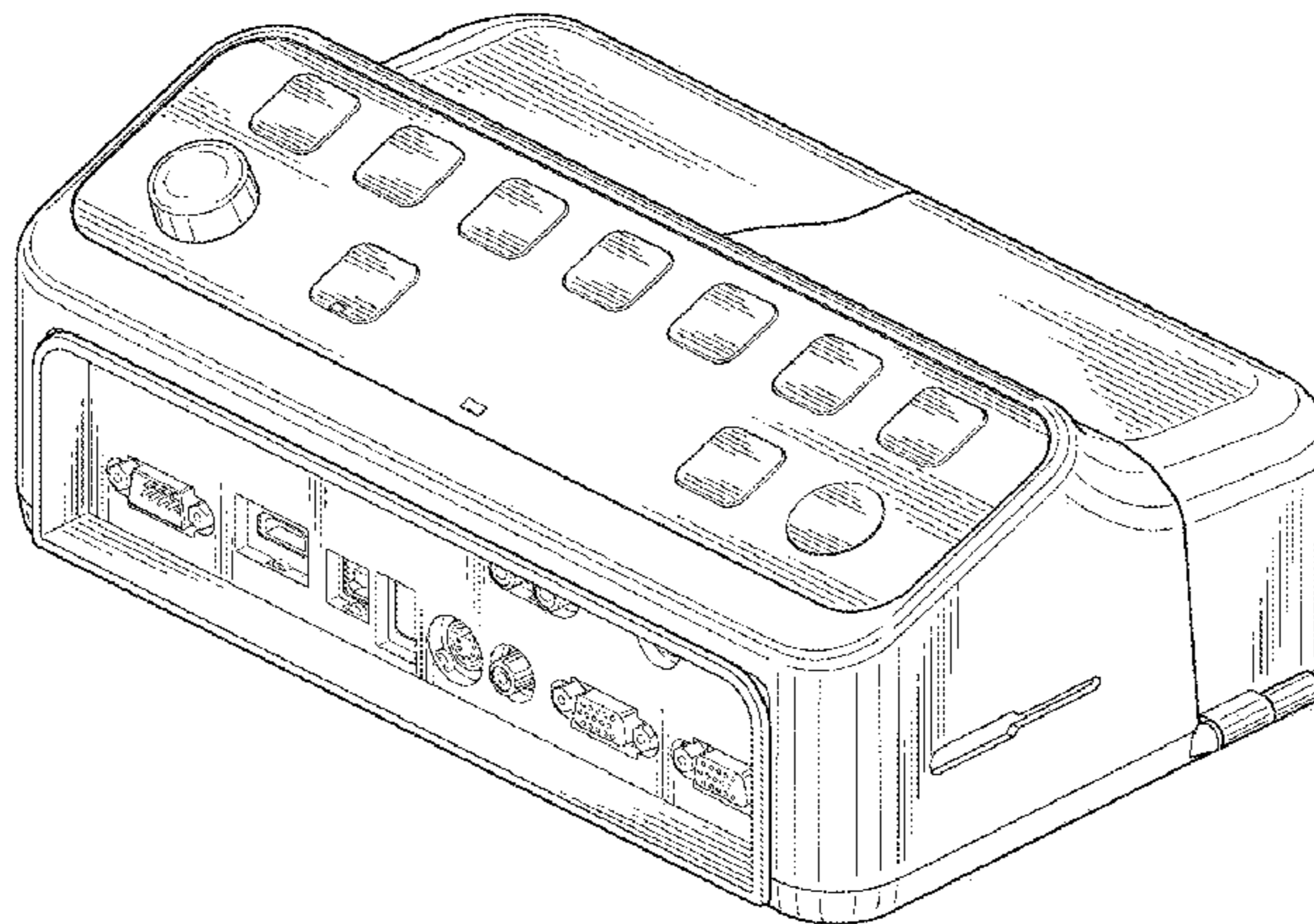
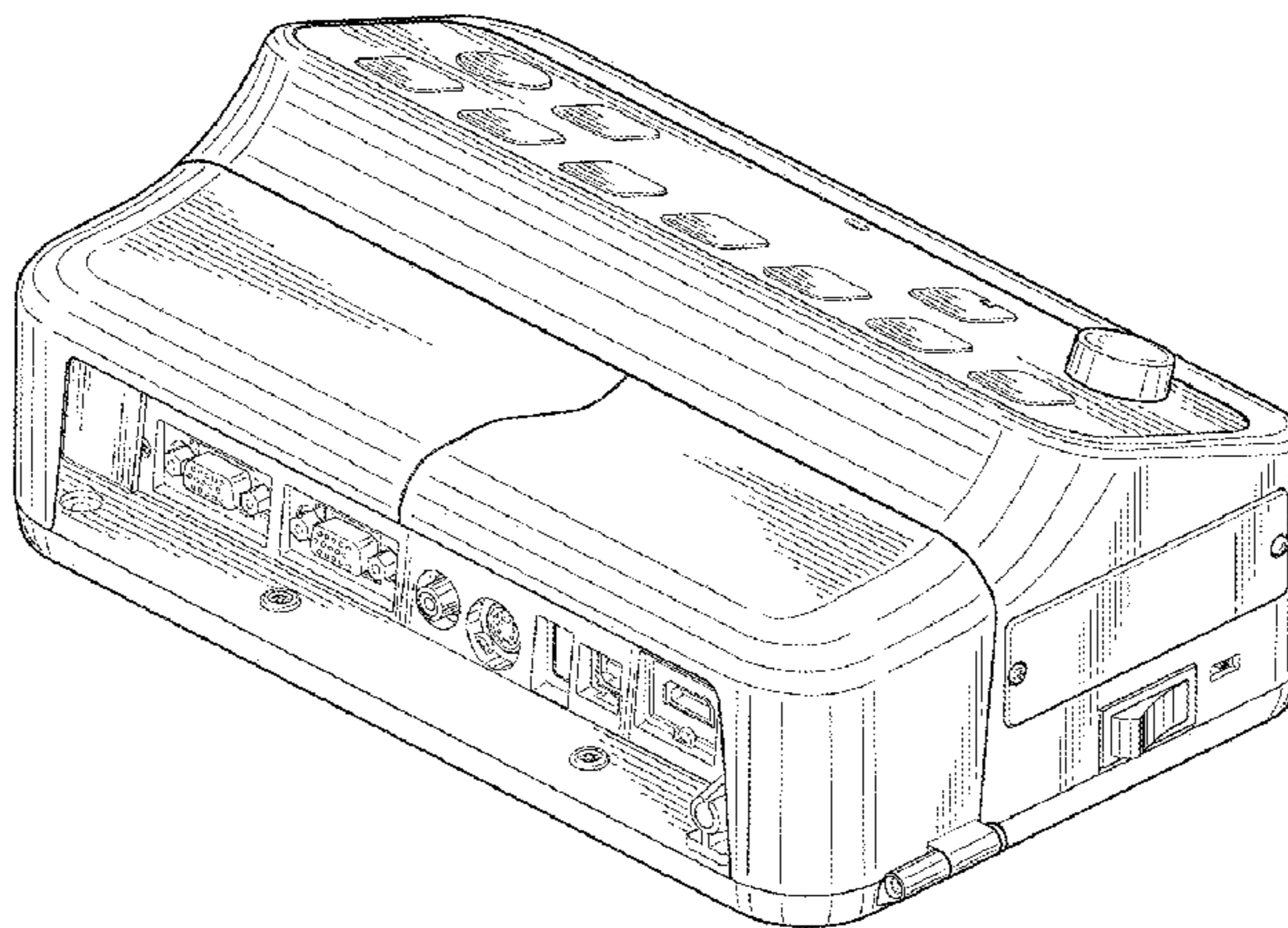


FIG. 1

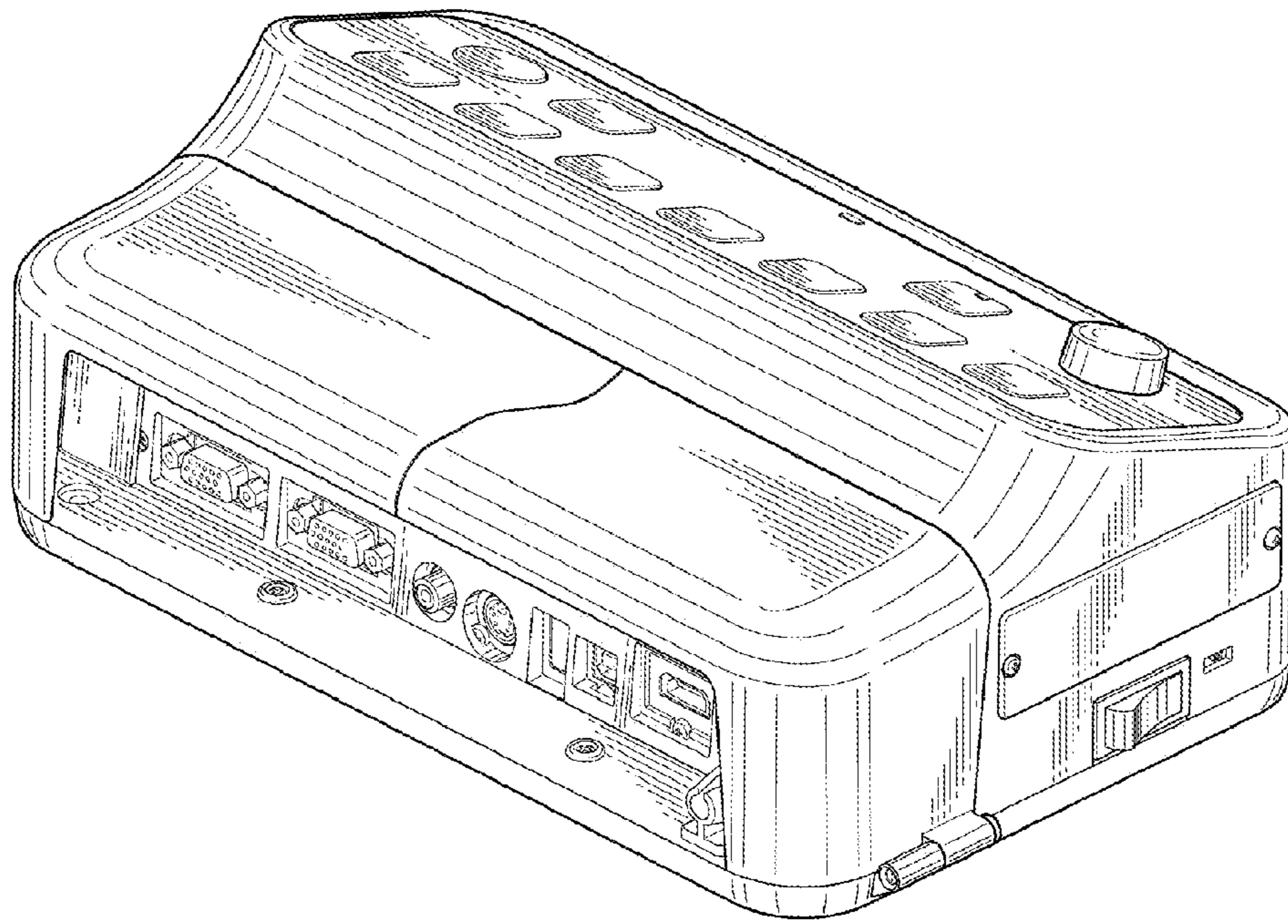


FIG. 2

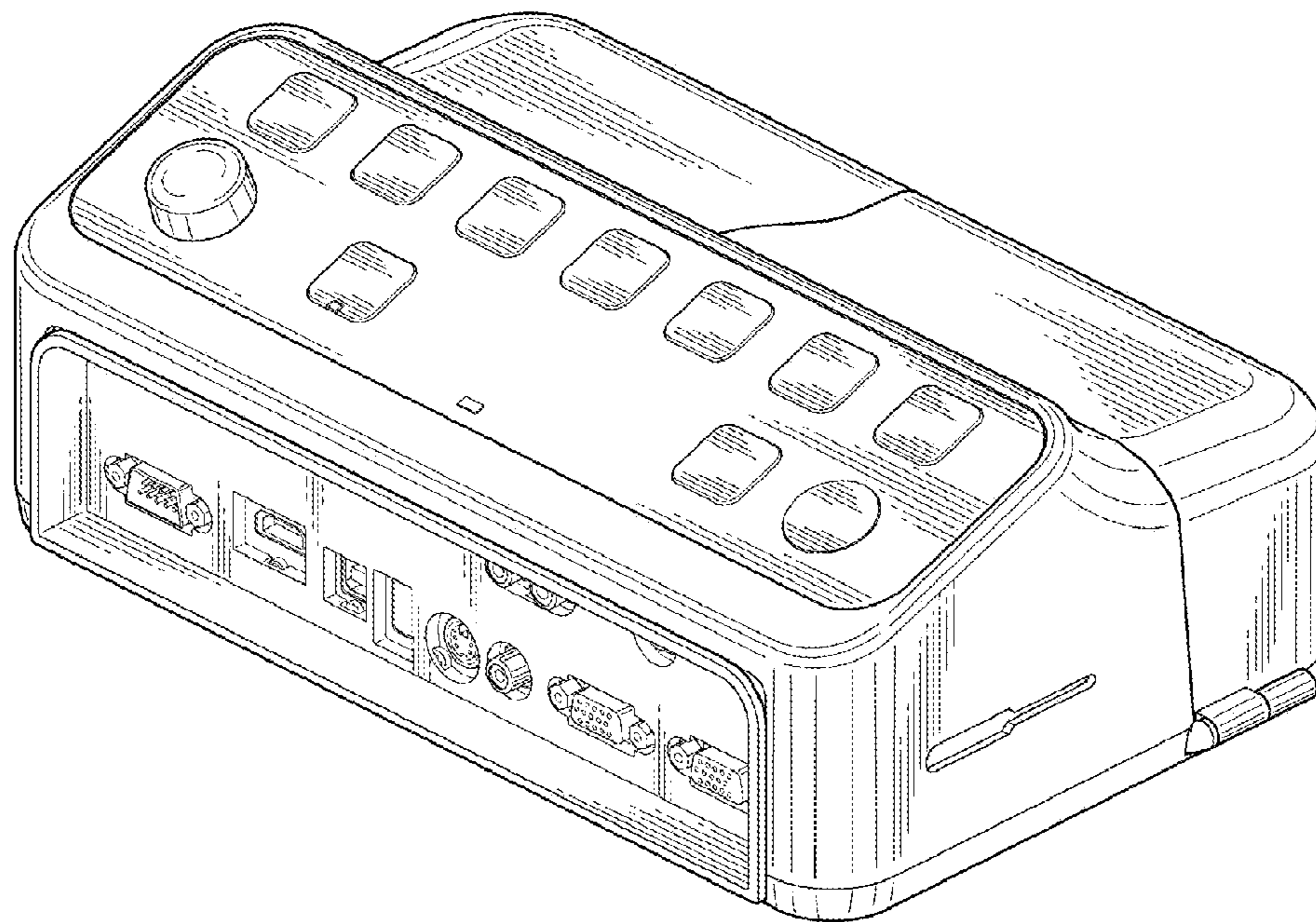


FIG. 3

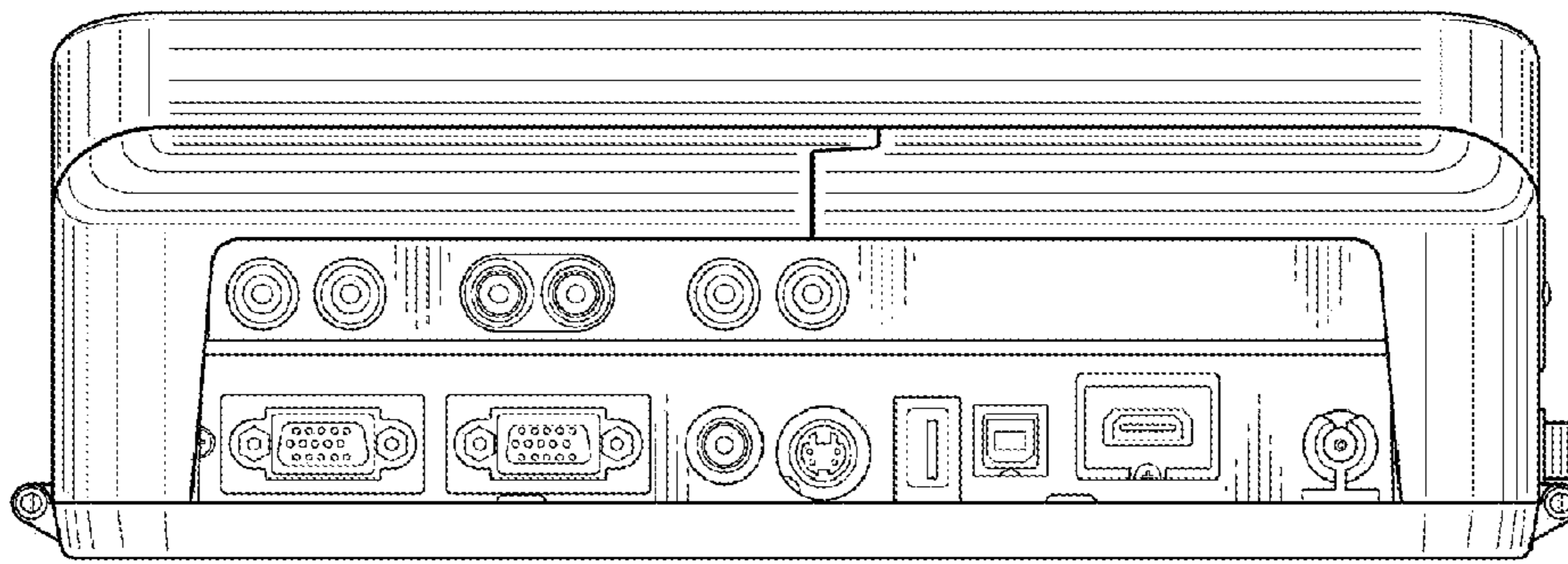


FIG. 4

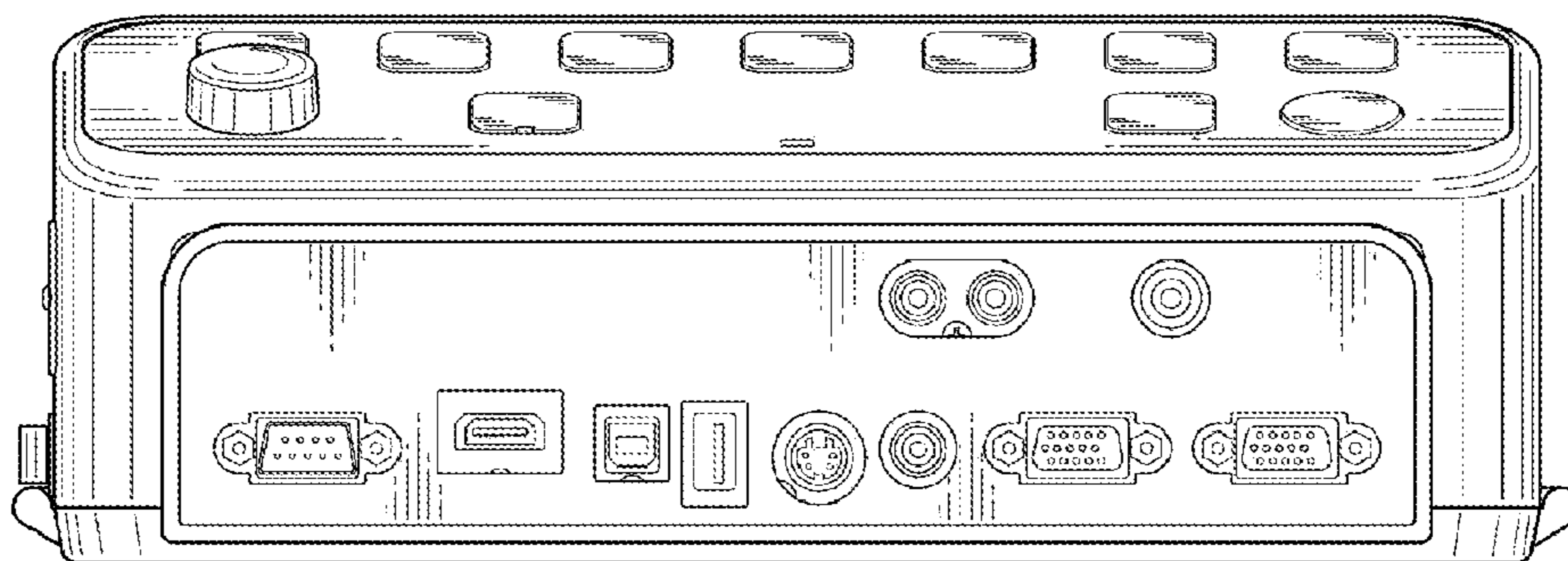


FIG. 5

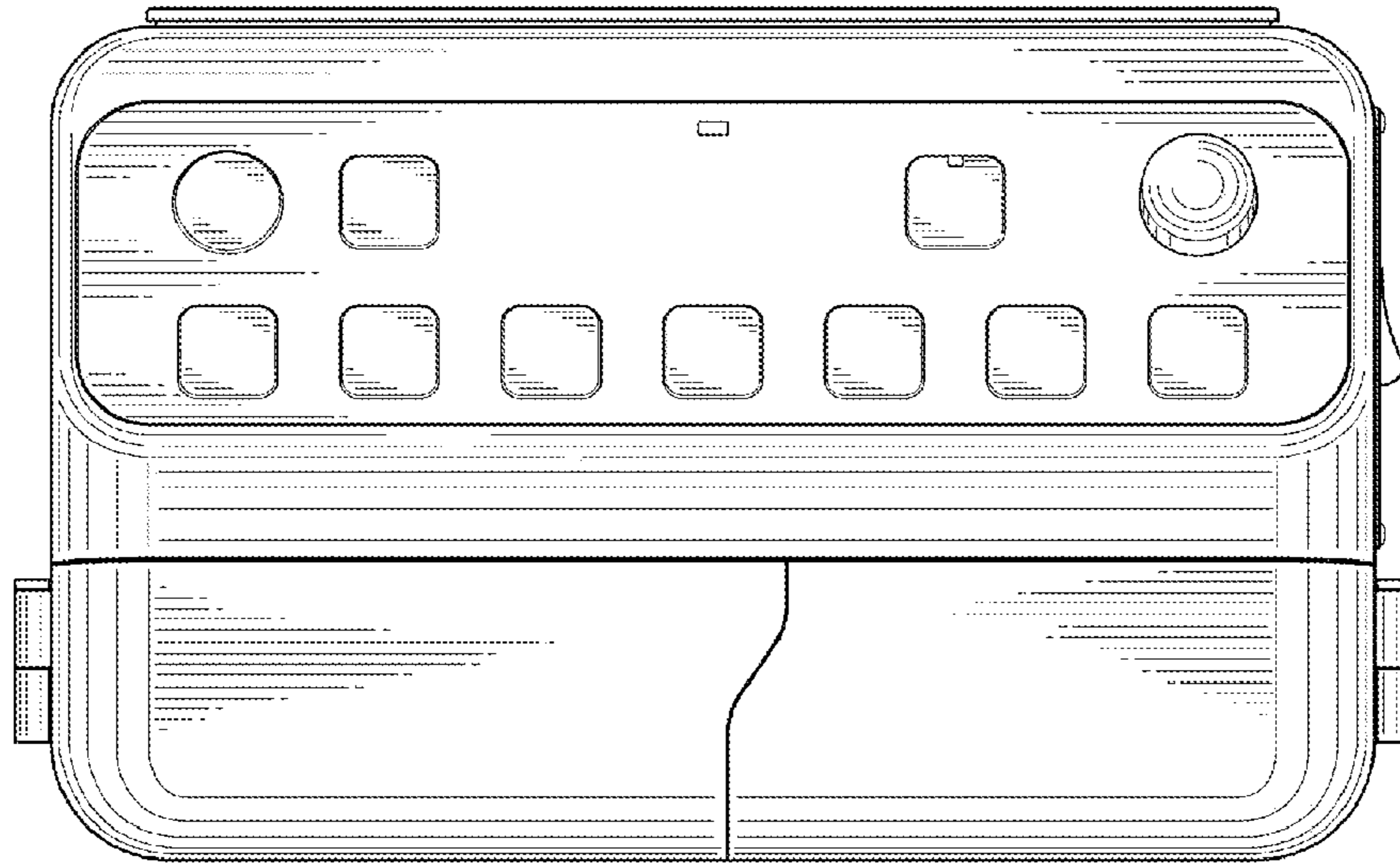


FIG. 6

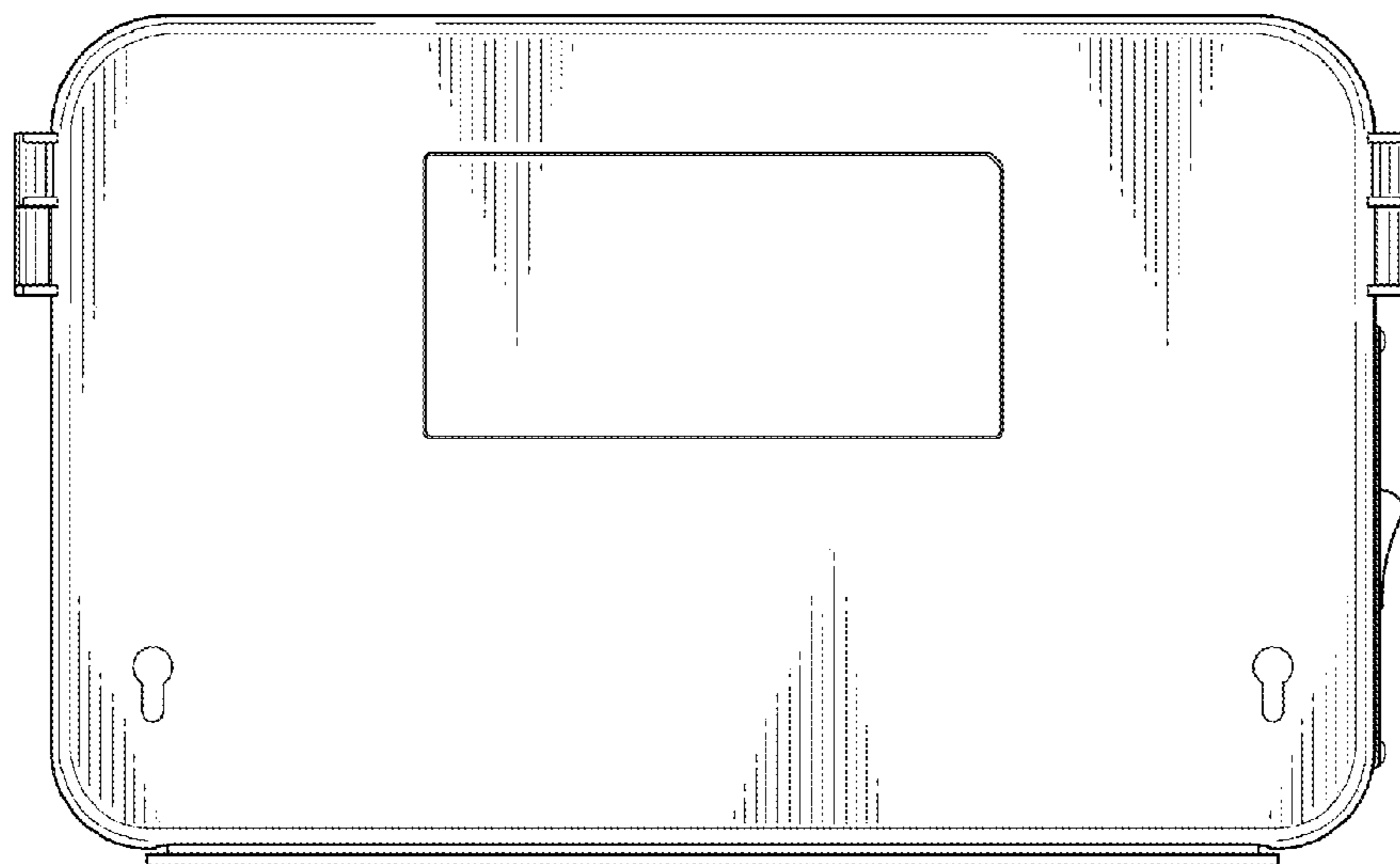


FIG. 7

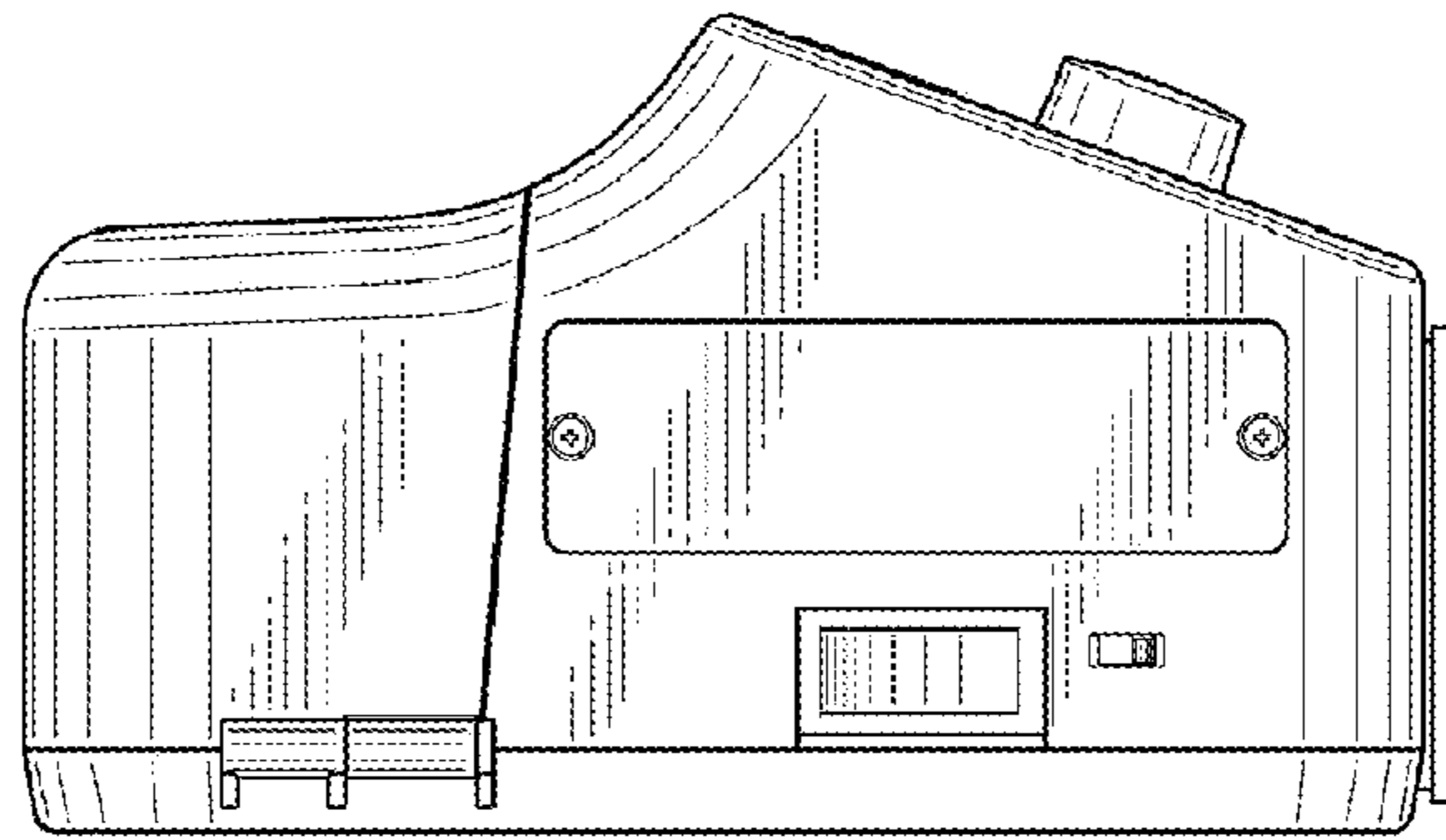


FIG. 8

