



US00D678195S

(12) **United States Design Patent**
Bole et al.

(10) **Patent No.:** **US D678,195 S**

(45) **Date of Patent:** **** Mar. 19, 2013**

(54) **STEAM CASING OF EXTRACTION CUM
CONDENSING TURBINE**

(75) Inventors: **Yogendra Kumar Bole**, Bangalore (IN);
Pramodchandra Umakant Gopi,
Bangalore (IN); **Sankar Bhaskarannair**,
Bangalore (IN)

(73) Assignee: **Triveni Turbine Limited**, Bangalore
(IN)

(**) Term: **14 Years**

(21) Appl. No.: **29/396,637**

(22) Filed: **Jul. 3, 2011**

(51) **LOC (9) Cl.** **13-01**

(52) **U.S. Cl.** **D13/122**

(58) **Field of Classification Search** D13/112,
D13/113, 114, 115, 118, 120, 122, 184, 199;
D15/1, 5, 7, 199; 60/39.3, 39.42, 39.43,
60/39.44, 39.53, 39.55, 670, 736; 239/543,
239/548; 415/1, 11, 13, 108, 134, 150, 151,
415/220

See application file for complete search history.

(56) **References Cited**

U.S. PATENT DOCUMENTS

D114,886 S * 5/1939 Jacobs D13/115
3,677,658 A * 7/1972 Dinunno et al. 415/108

D343,844 S * 2/1994 Dulak D15/7
6,071,073 A * 6/2000 Maier 415/150
6,332,754 B1 * 12/2001 Matsuda et al. 415/191
6,568,908 B2 * 5/2003 Namura et al. 416/190
6,631,858 B1 * 10/2003 Farineau et al. 239/548
7,065,968 B2 * 6/2006 Takahashi et al. 60/670
D587,649 S * 3/2009 Gudewer D13/115

* cited by examiner

Primary Examiner — Derrick Holland

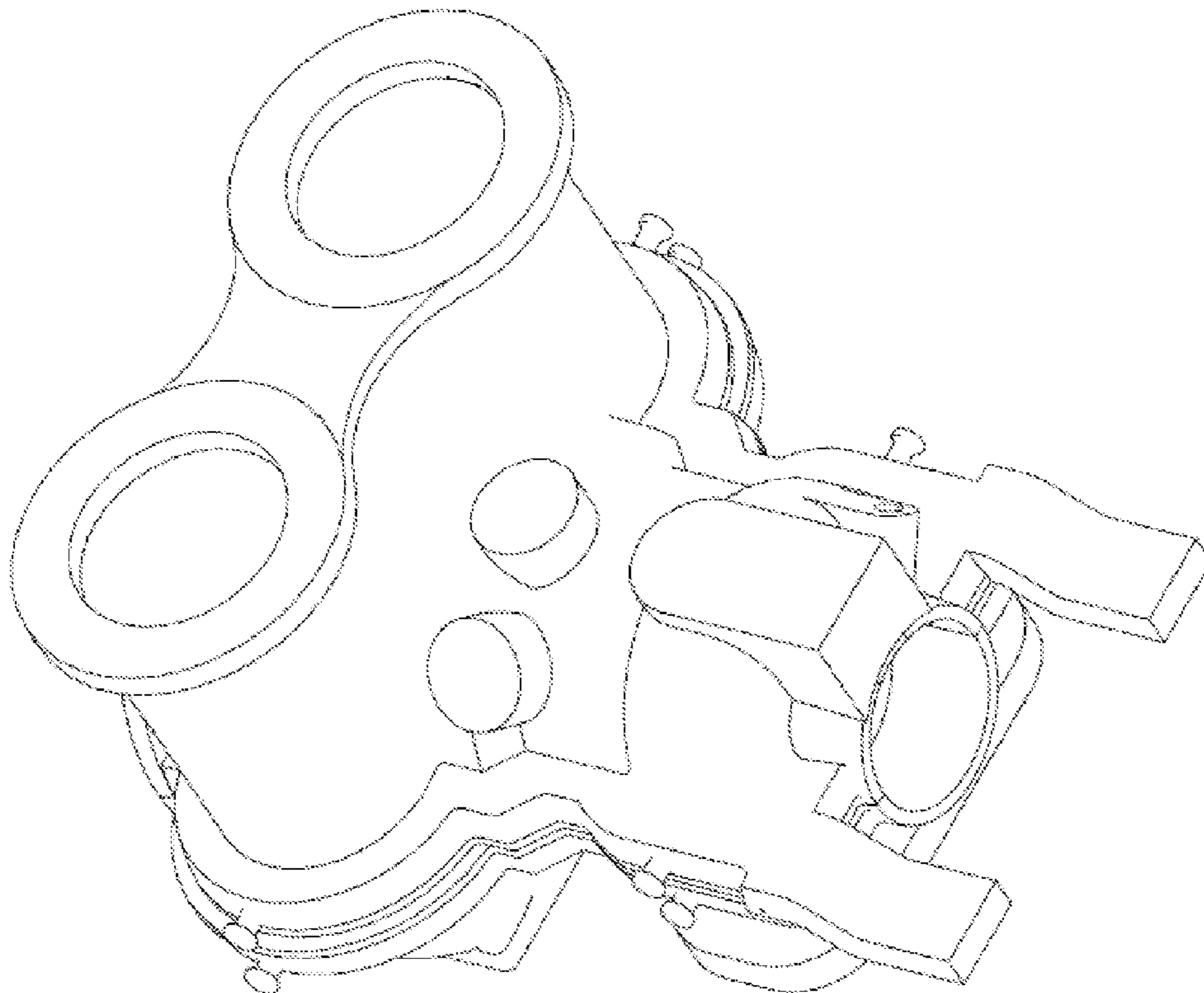
(57) **CLAIM**

The ornamental design for a steam casing of extraction cum condensing turbine, as shown and described.

DESCRIPTION

FIG. 1 is a top perspective view of the steam casing of extraction cum condensing turbine showing the new design; FIG. 2 is a bottom perspective view thereof; FIG. 3 is a top plan view thereof; FIG. 4 is a bottom plan view thereof; FIG. 5 is a front elevational view thereof; FIG. 6 is a back elevational view thereof; FIG. 7 is a right side elevational view thereof; and, FIG. 8 is a left side elevational view thereof. The broken lines shown represent unclaimed subject matter and form no part of the claimed design.

1 Claim, 8 Drawing Sheets



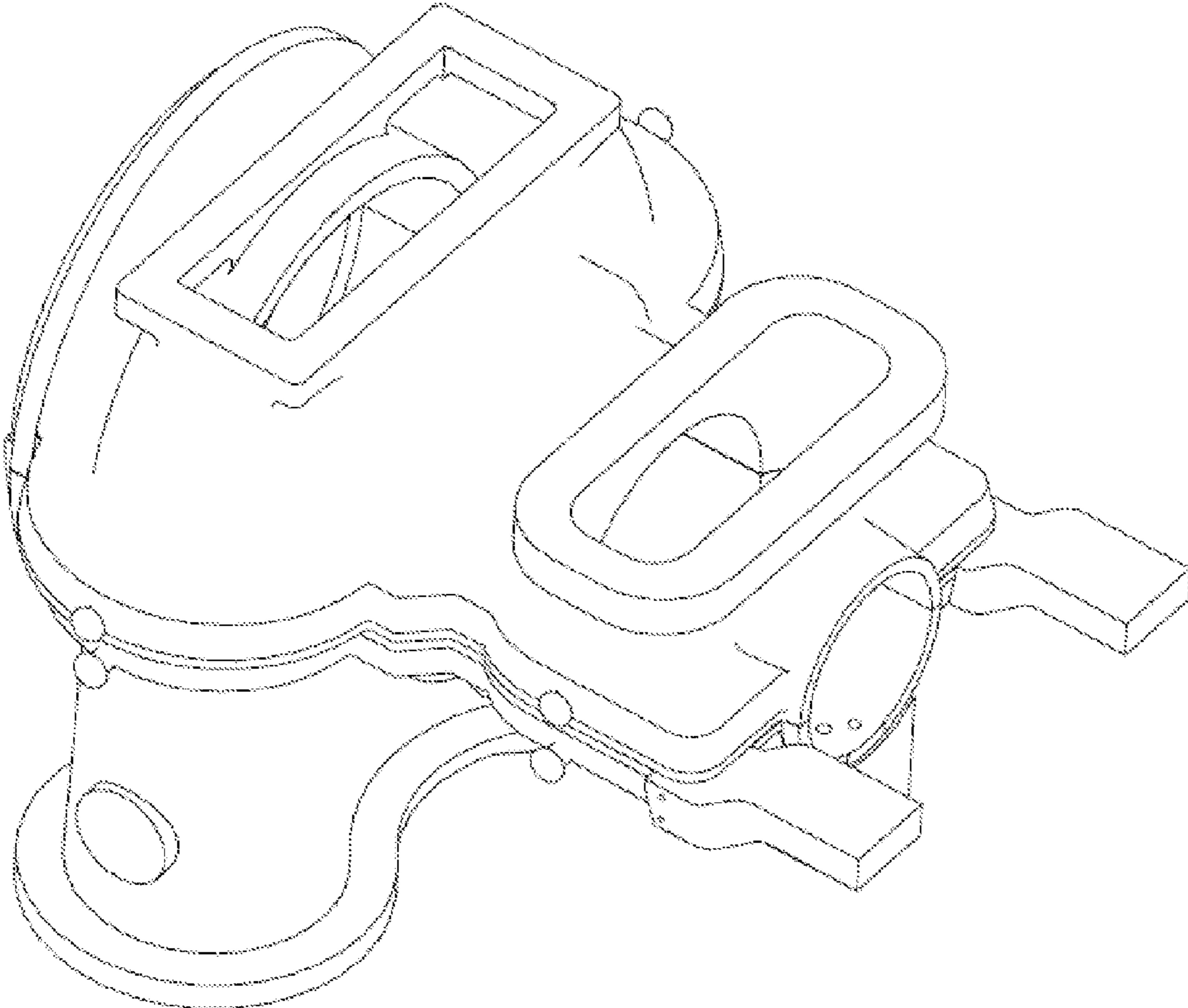


FIG. 1

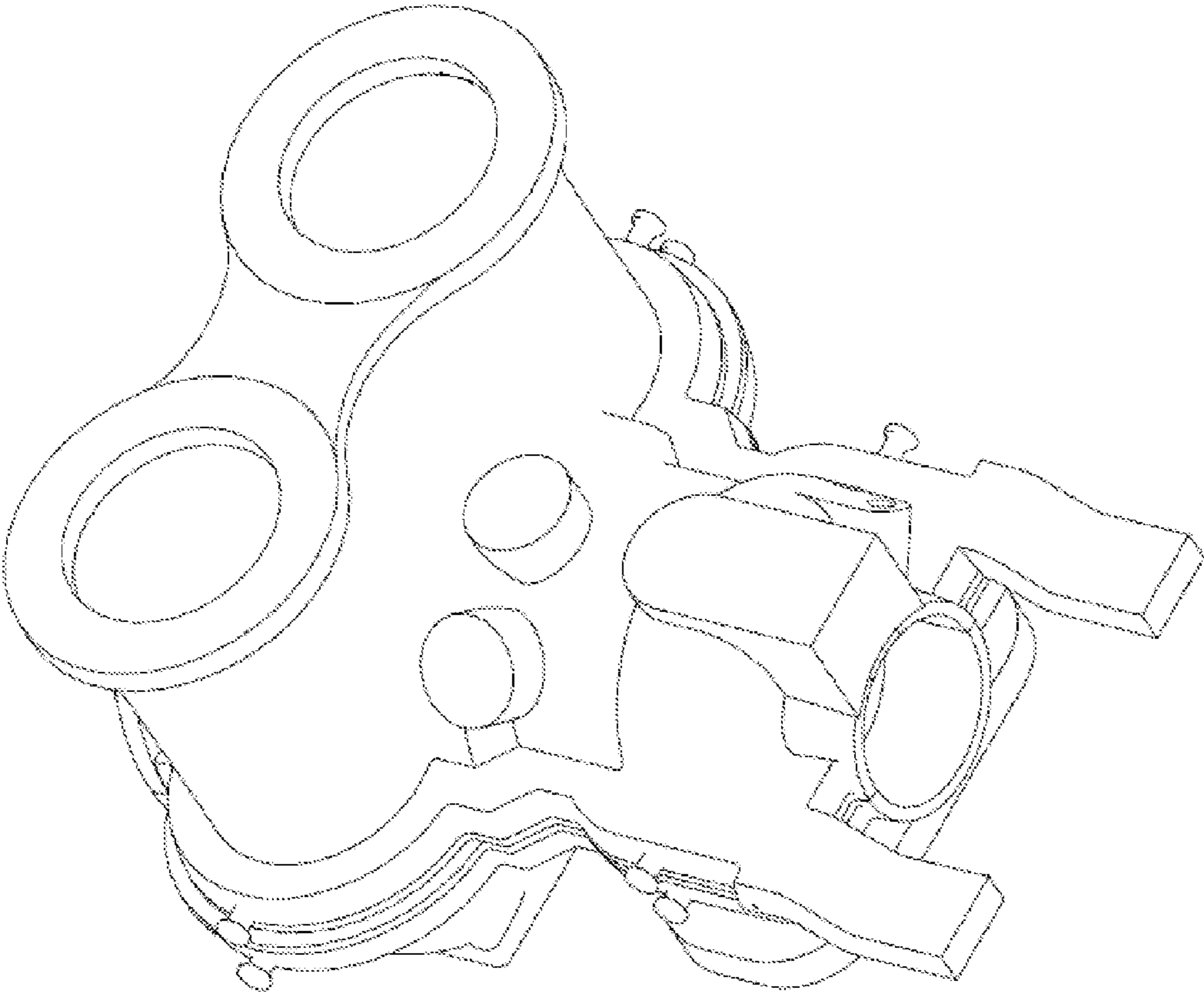


FIG. 2

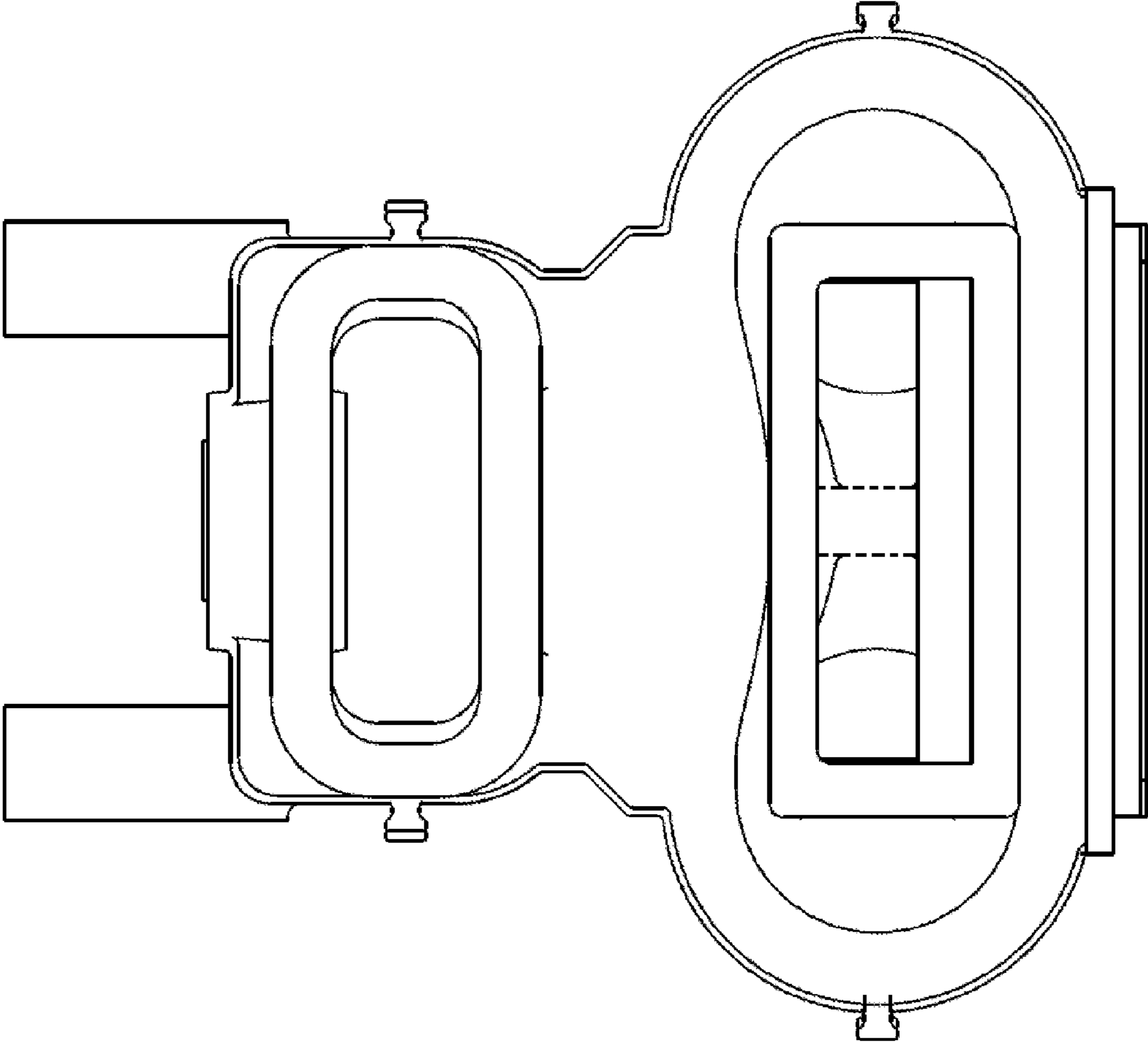


FIG. 3

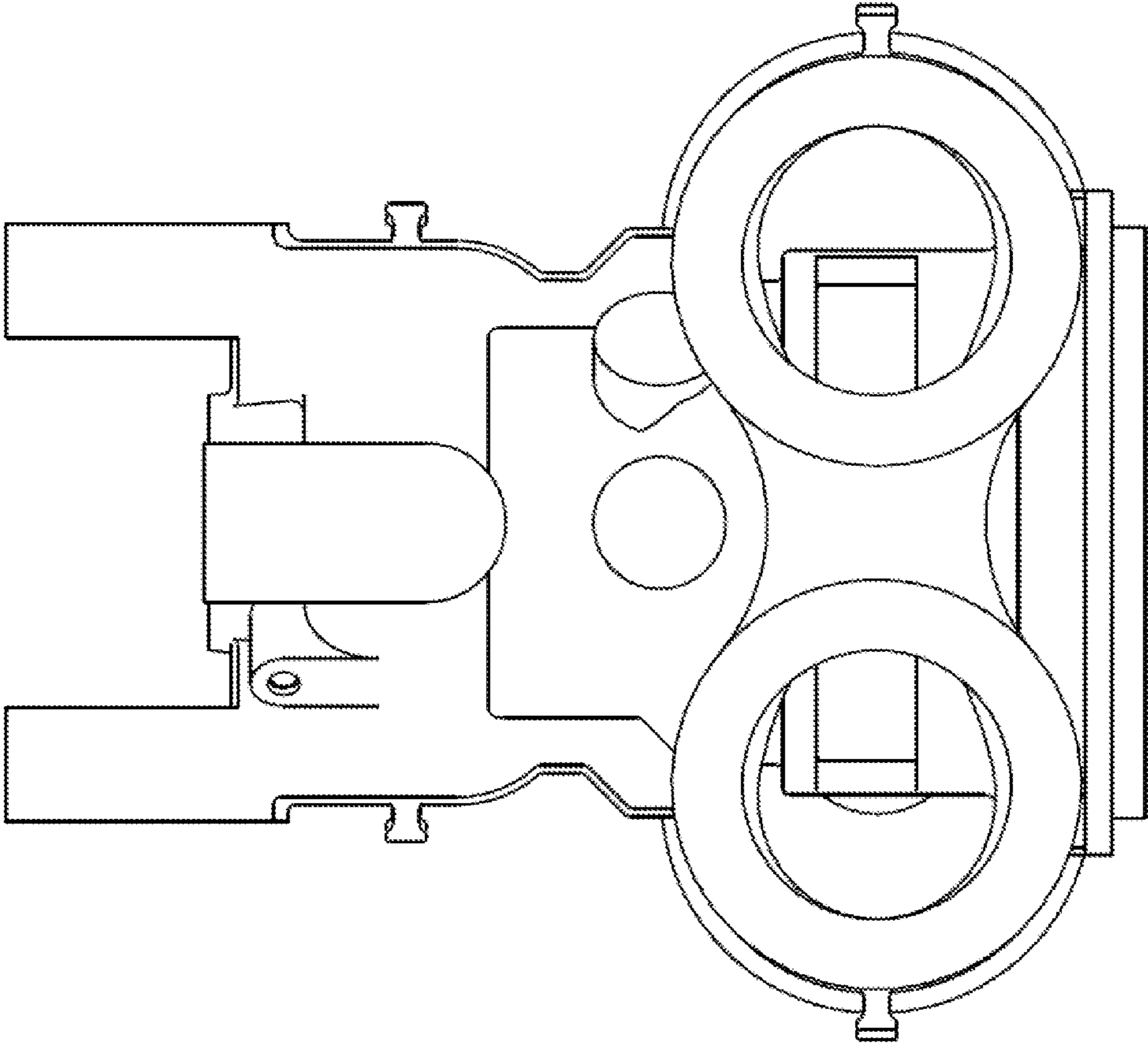


FIG. 4

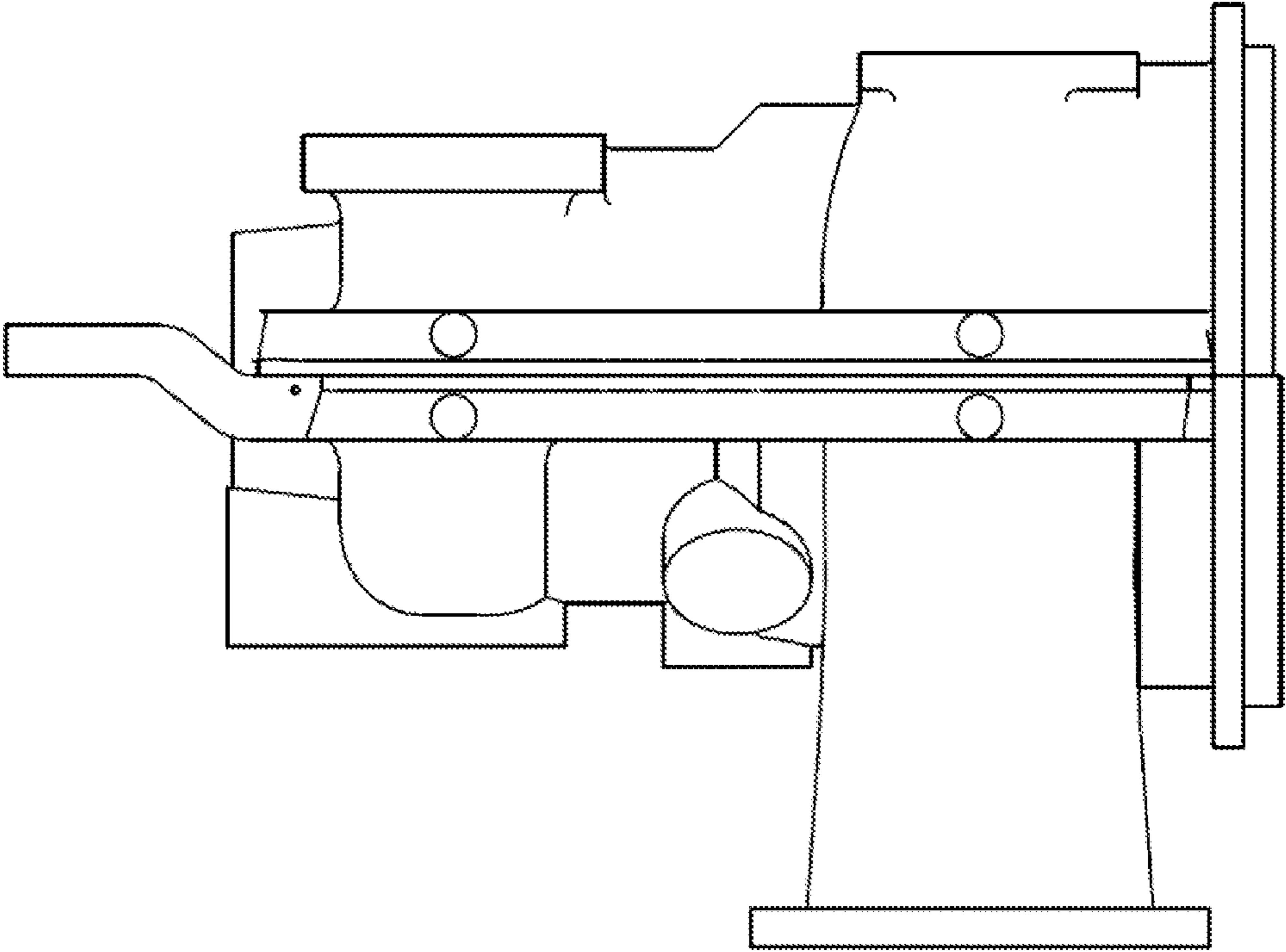


FIG. 5

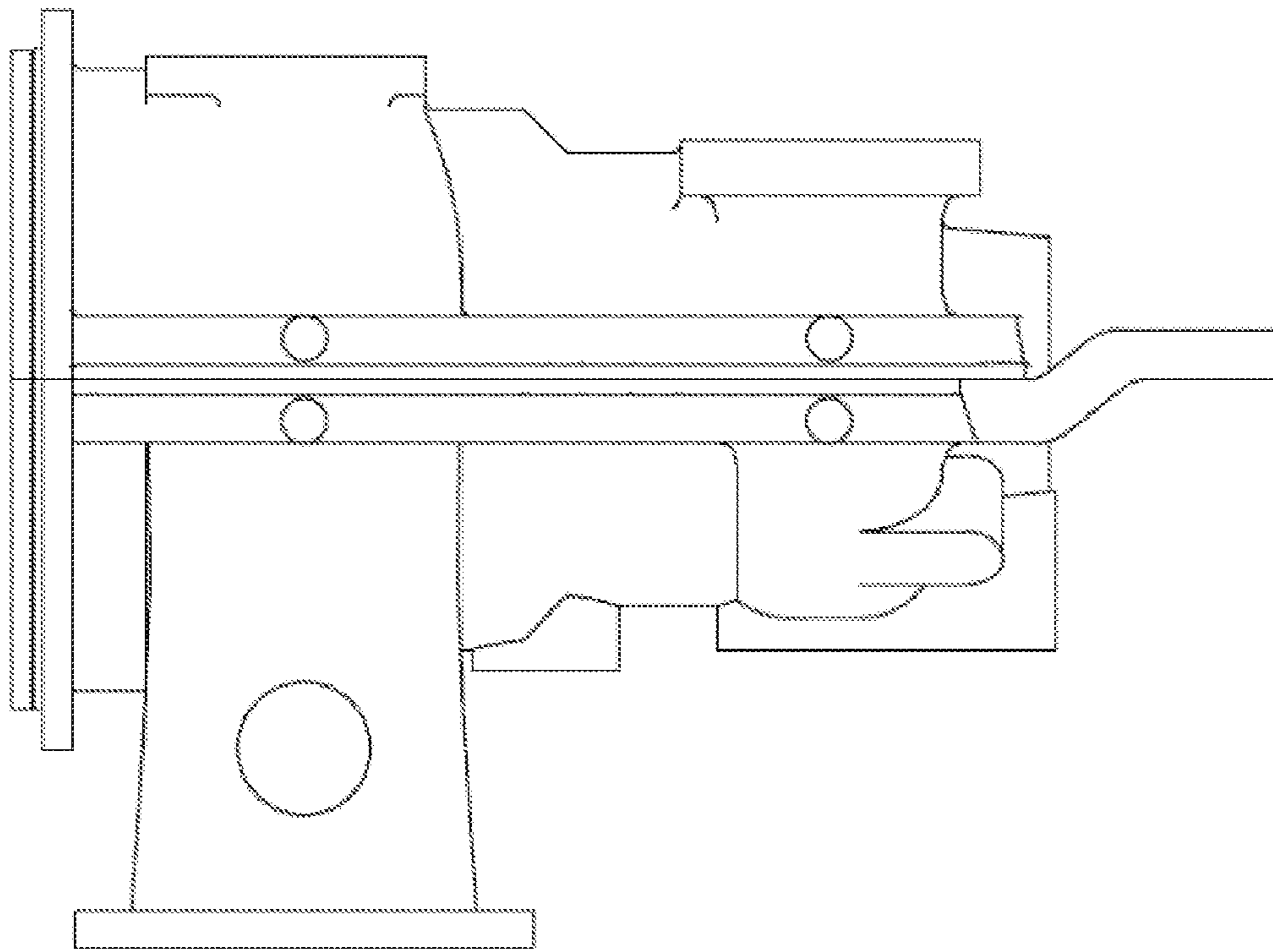


FIG. 6

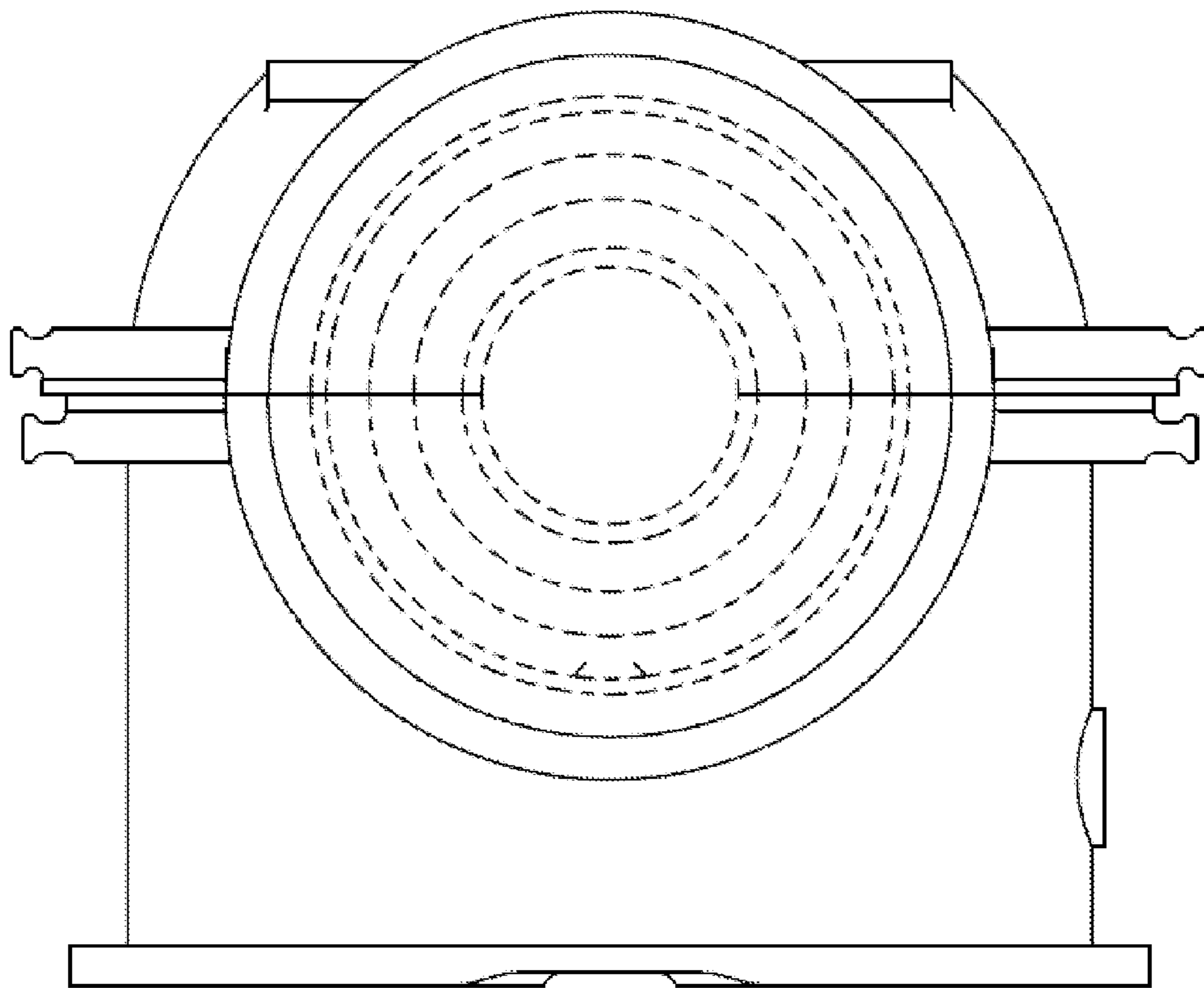


FIG. 7

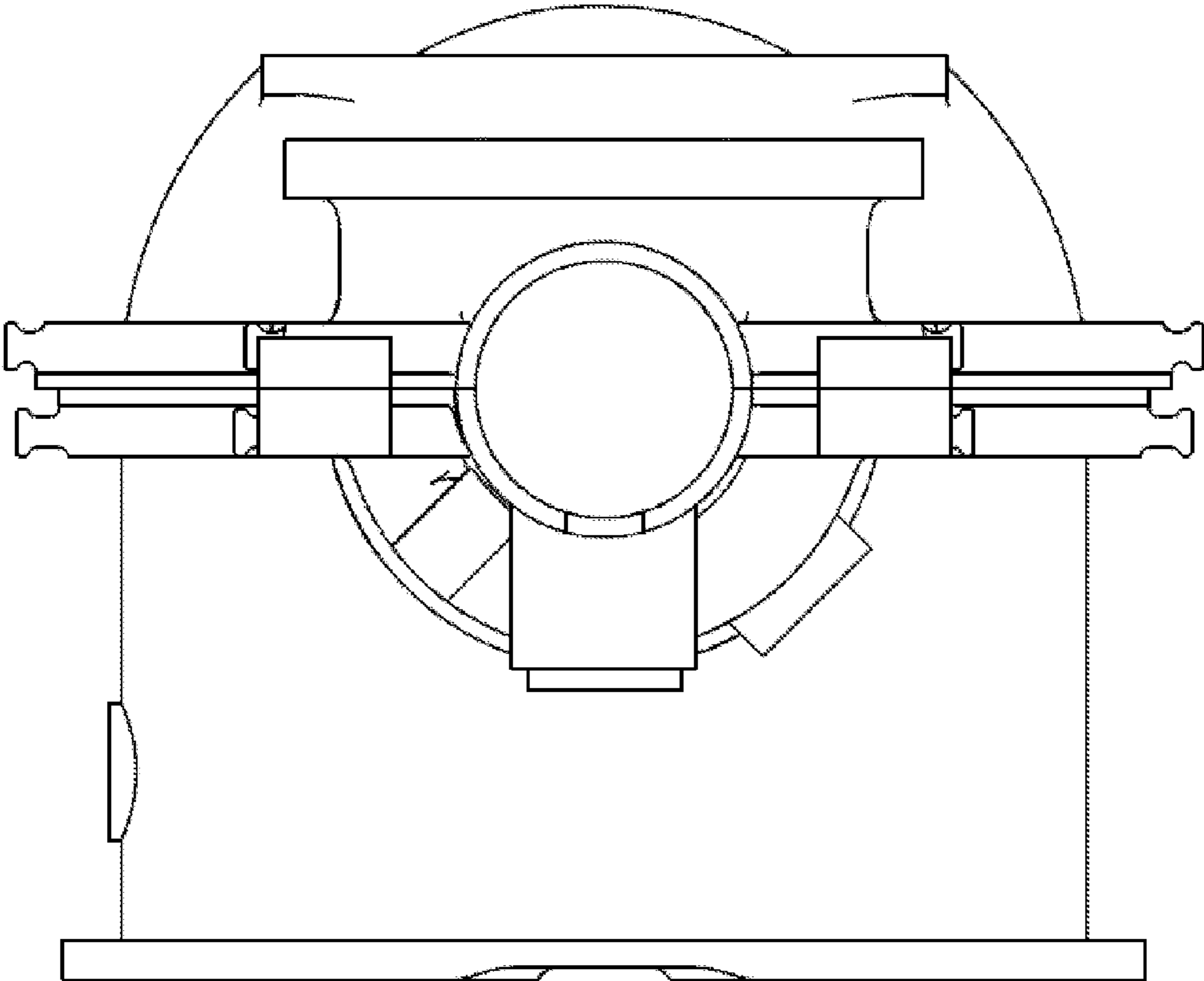


FIG. 8