



US00D678194S

(12) **United States Design Patent**
Lannoch

(10) **Patent No.:** **US D678,194 S**
(45) **Date of Patent:** **** Mar. 19, 2013**

(54) **ELECTRIC MOTOR**

(75) Inventor: **Hans-Juergen Lannoch**,
Linkenheim-Hochstetten (DE)

(73) Assignee: **Sew-Eurodrive GmbH & Co. KG**,
Bruchsal (DE)

(**) Term: **14 Years**

(21) Appl. No.: **29/429,243**

(22) Filed: **Aug. 8, 2012**

Related U.S. Application Data

(62) Division of application No. 29/366,657, filed on Jul. 28, 2010, now Pat. No. Des. 667,372.

(30) **Foreign Application Priority Data**

Feb. 3, 2010 (DE) 40 2010 000 620

(51) **LOC (9) Cl.** **13-01**

(52) **U.S. Cl.** **D13/112**

(58) **Field of Classification Search** D13/112,
D13/113, 114, 122, 199; D15/3, 5, 199;
74/606 R, 609; 310/10, 40 R, 42, 51, 58,
310/71, 85, 89, 91, 109, 236, 239, 254; 318/245,
318/255

See application file for complete search history.

(56) **References Cited**

U.S. PATENT DOCUMENTS

D137,665 S 4/1944 Heintz
D140,493 S * 2/1945 Wehner D13/112
D207,401 S 4/1967 Kerr et al.
D236,985 S 9/1975 Baumann
4,244,098 A 1/1981 Barcus

D297,426 S 8/1988 Mabuchi
D310,816 S 9/1990 Sawato et al.
D314,742 S 2/1991 Sieber
D336,890 S 6/1993 Hirose et al.
5,543,671 A 8/1996 Williams
D386,744 S 11/1997 Urvoy
D424,516 S 5/2000 Friedrichsen
D511,138 S * 11/2005 Kwan D13/112
D516,506 S 3/2006 Ichimaru et al.
D571,290 S * 6/2008 Gebhart et al. D13/112
D576,941 S 9/2008 Evon et al.
D609,181 S * 2/2010 Lannoch D13/112

* cited by examiner

Primary Examiner — Derrick Holland

(74) *Attorney, Agent, or Firm* — Kenyon & Kenyon LLP

(57) **CLAIM**

The ornamental design for an electric motor, as shown and described.

DESCRIPTION

FIG. 1 is a front perspective view of an electric motor showing my new design;

FIG. 2 is a left side view thereof;

FIG. 3 is a right side view thereof;

FIG. 4 is a front view thereof;

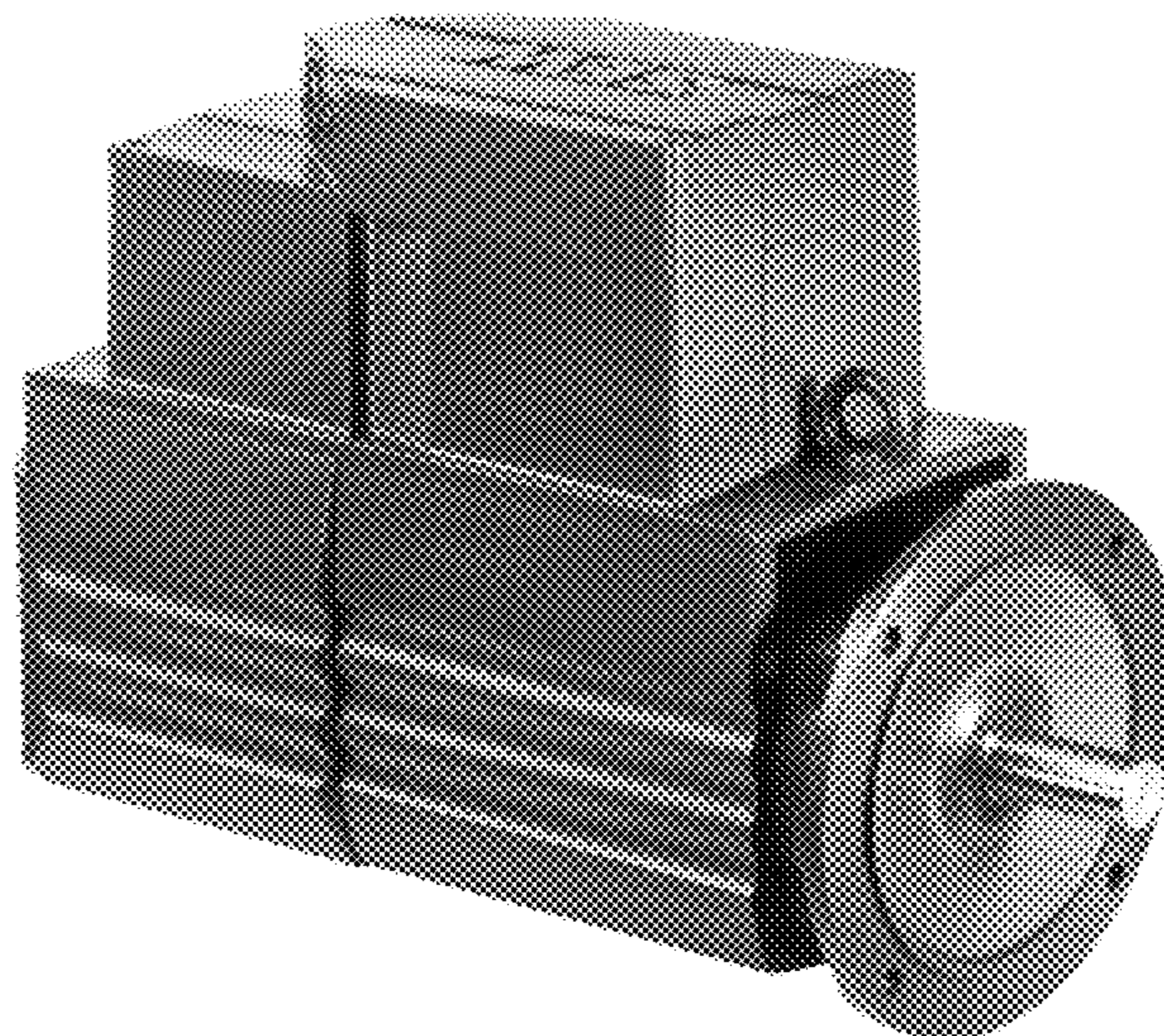
FIG. 5 is a rear view thereof;

FIG. 6 is a top view thereof; and,

FIG. 7 is a bottom view thereof.

The Figures include an illustration of the logo, "SEW," and other written matter, which is shown for illustrative purposes and forms no part of the claimed design. The colors included in the Figures are for illustrative purposes and form no part of the claimed design, i.e., color is not an integral part of the claimed design.

1 Claim, 7 Drawing Sheets



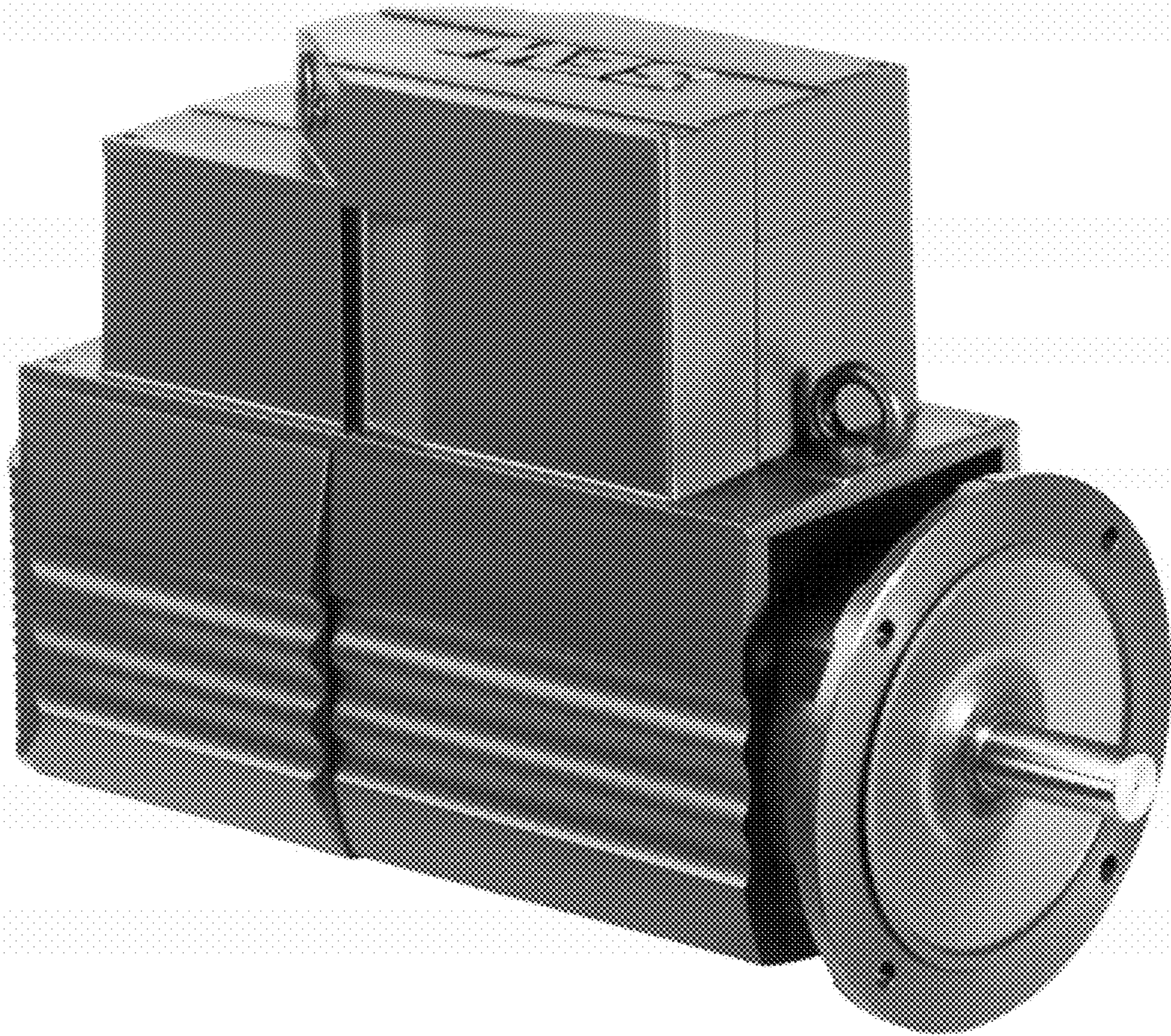


FIG. 1

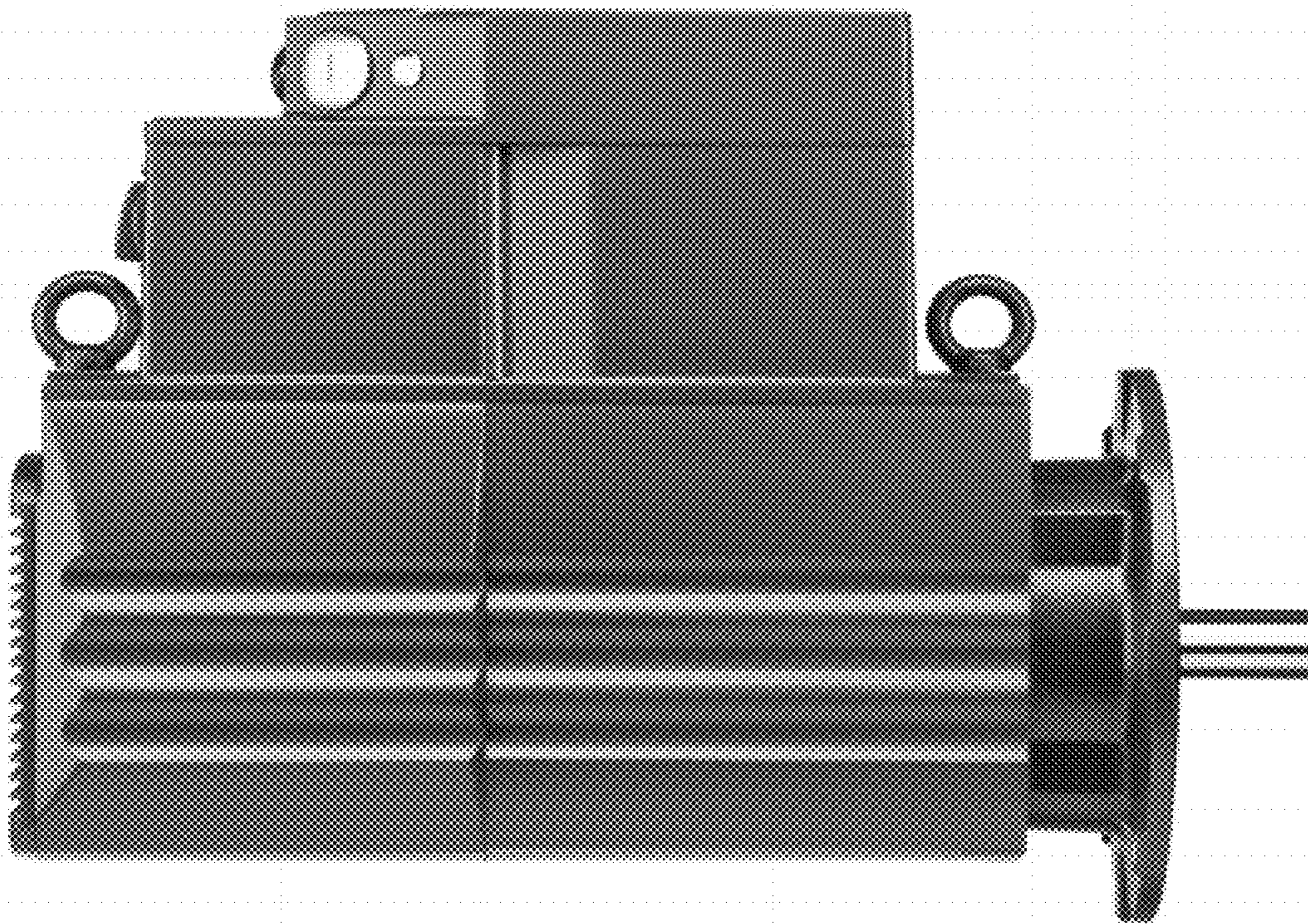


FIG. 2

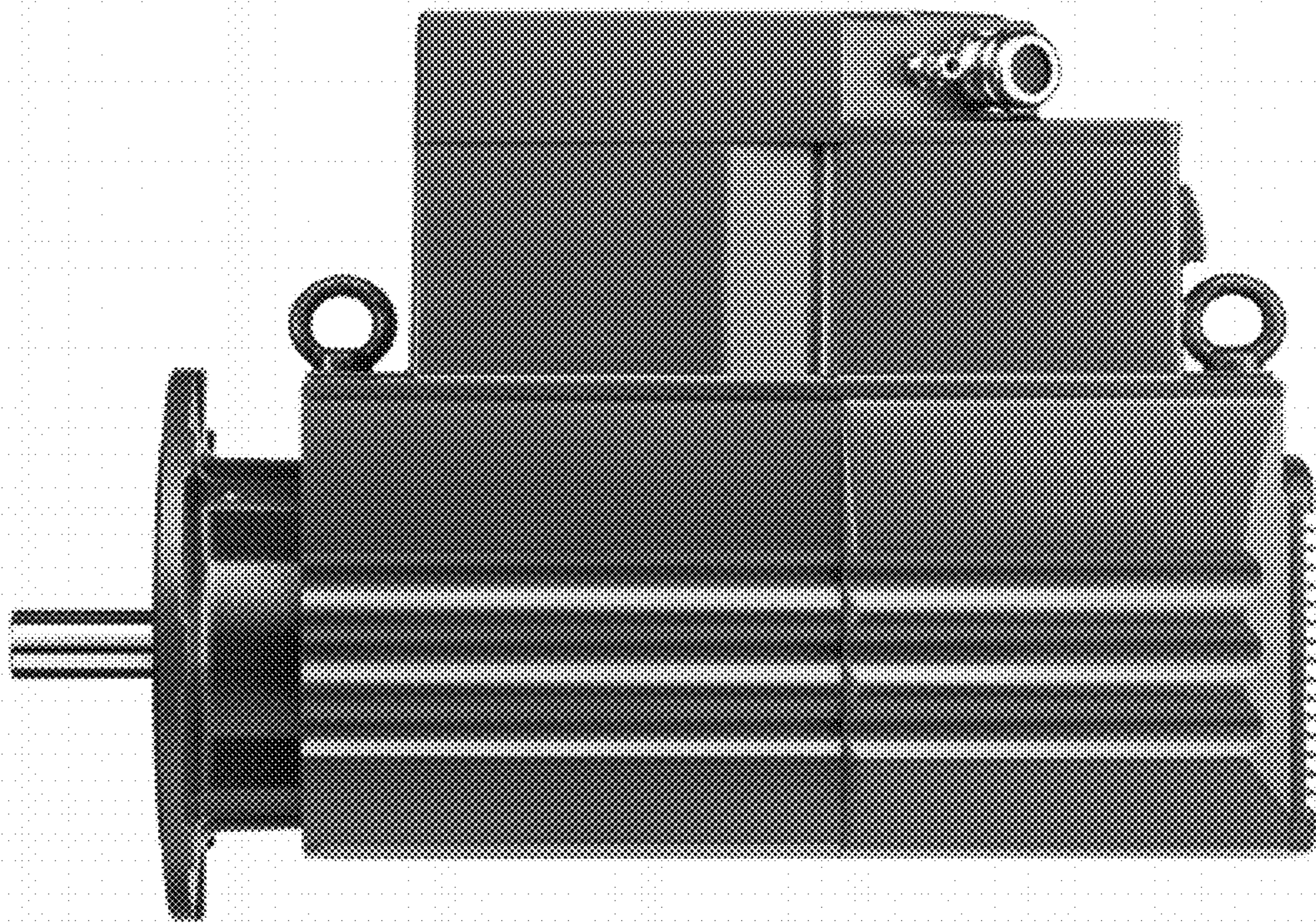


FIG. 3

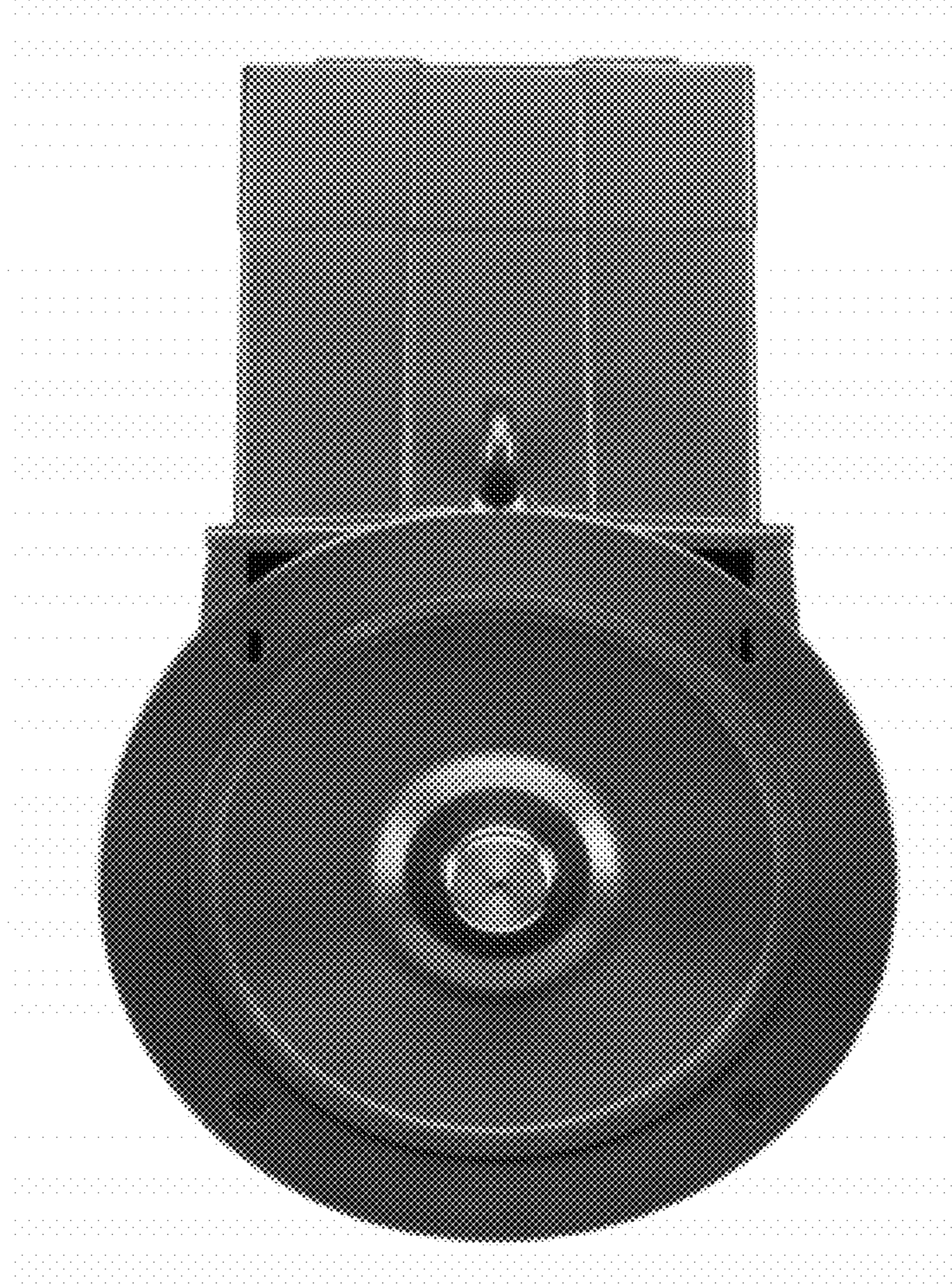


FIG. 4

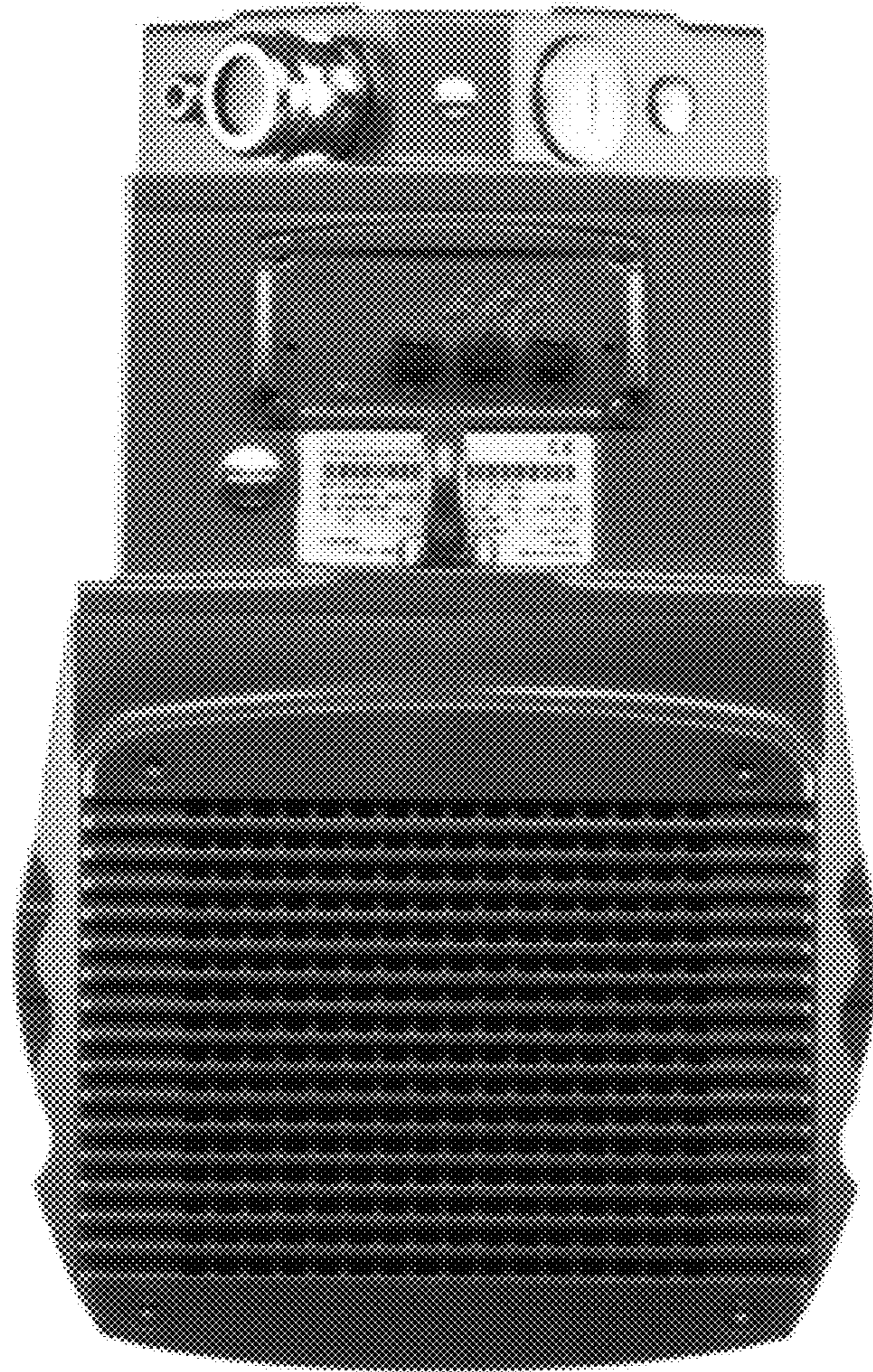


FIG. 5



FIG. 6

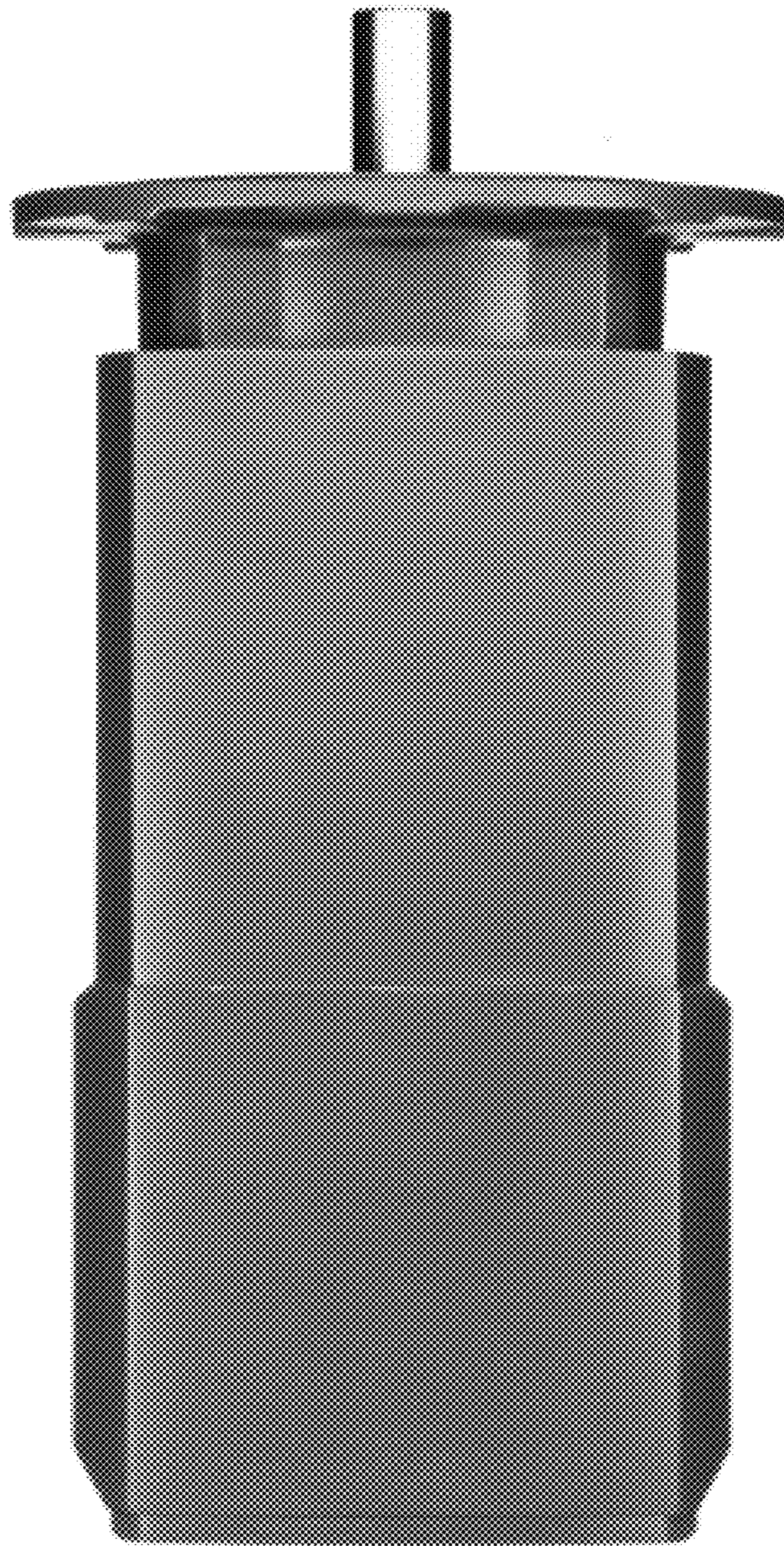


FIG. 7