



US00D678193S

(12) **United States Design Patent**
Siminoff et al.

(10) **Patent No.:** **US D678,193 S**
(45) **Date of Patent:** **** Mar. 19, 2013**

(54) **CHARGING UNIT FOR MOBILE DEVICES**

D542,279 S * 5/2007 Chan D14/216
D602,430 S * 10/2009 Green et al. D13/110
D602,615 S * 10/2009 Liu D26/26

(71) Applicant: **Edison Junior, LLC**, Pacific Palisades,
CA (US)

OTHER PUBLICATIONS

(72) Inventors: **James Siminoff**, Pacific Palisades, CA
(US); **John Modestine**, Lansdale, PA
(US)

U.S. Appl. No. 29/435,237, filed Oct. 22, 2012, entitled, "Charging
Unit for Mobile Devices."
U.S. Appl. No. 13/656,953, filed Oct. 22, 2012, entitled, "Portable
Device Charger."

(73) Assignee: **Edison Junior, LLC**, Pacific Palisades,
CA (US)

* cited by examiner

(**) Term: **14 Years**

Primary Examiner — Rosemary K Tarca

(21) Appl. No.: **29/435,226**

(57) **CLAIM**

We claim the ornamental design for an charging unit for
mobile devices, substantially shown as described.

(22) Filed: **Oct. 22, 2012**

DESCRIPTION

(51) **LOC (9) Cl.** **13-02**

(52) **U.S. Cl.** **D13/108**

(58) **Field of Classification Search** D13/107–110,
D13/118–119, 184, 199; D14/251, 253,
D14/432, 434; 320/107–115

See application file for complete search history.

FIG. 1. is a front side view of a charging unit for mobile
devices in accordance with the present design;
FIG. 2. is top view thereof;
FIG. 3. is a bottom view thereof;
FIG. 4. is a top perspective view thereof; and,
FIG. 5. is a bottom perspective view thereof.

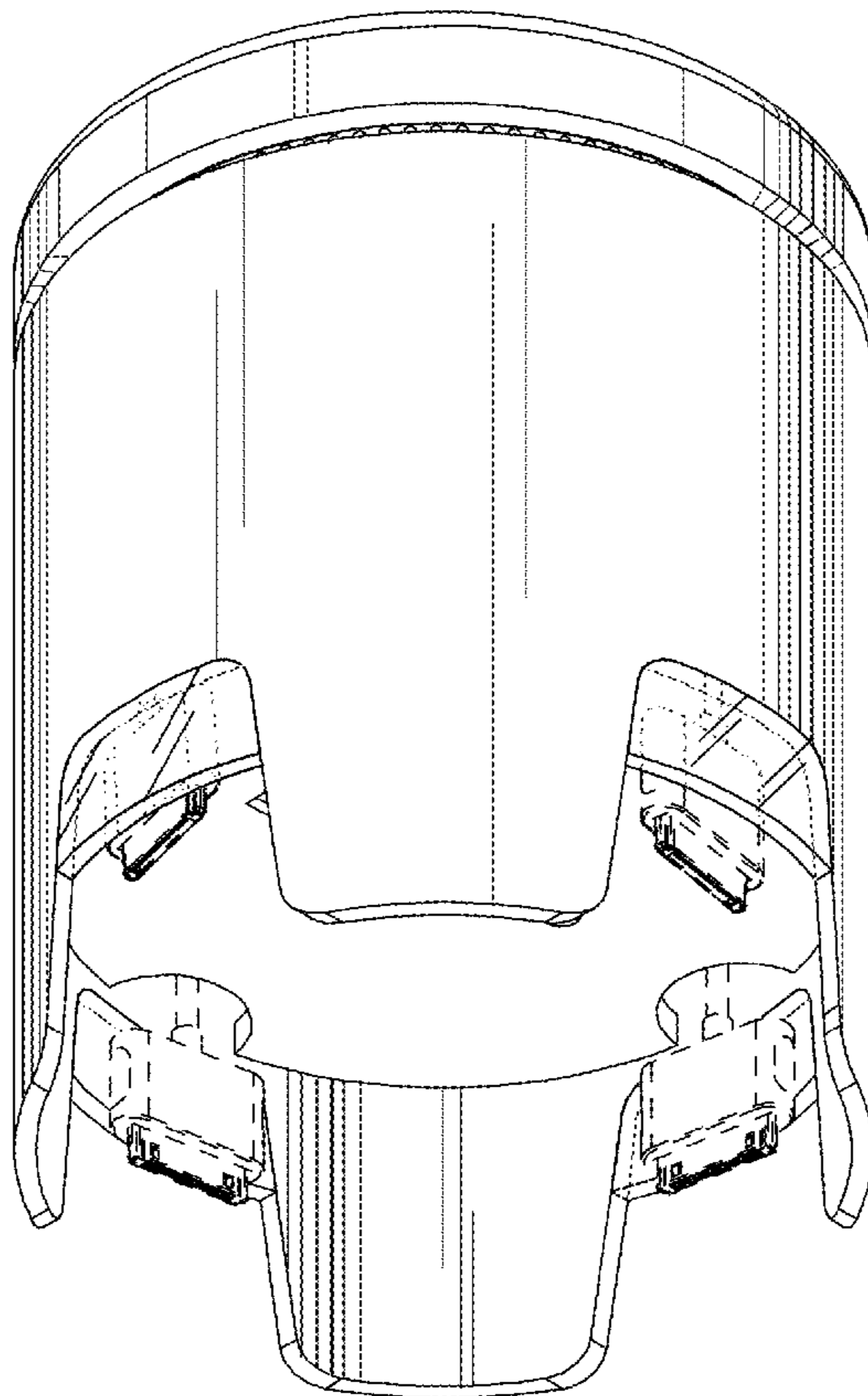
The broken lines shown in FIGS. 1, 3, 4 and 5 are included for
the purpose of illustrating an environment for an embodiment
of my new design and form no part of the claimed design.

(56) **References Cited**

U.S. PATENT DOCUMENTS

D456,026 S * 4/2002 Goto D14/447
D525,193 S * 7/2006 Vu D13/108

1 Claim, 5 Drawing Sheets



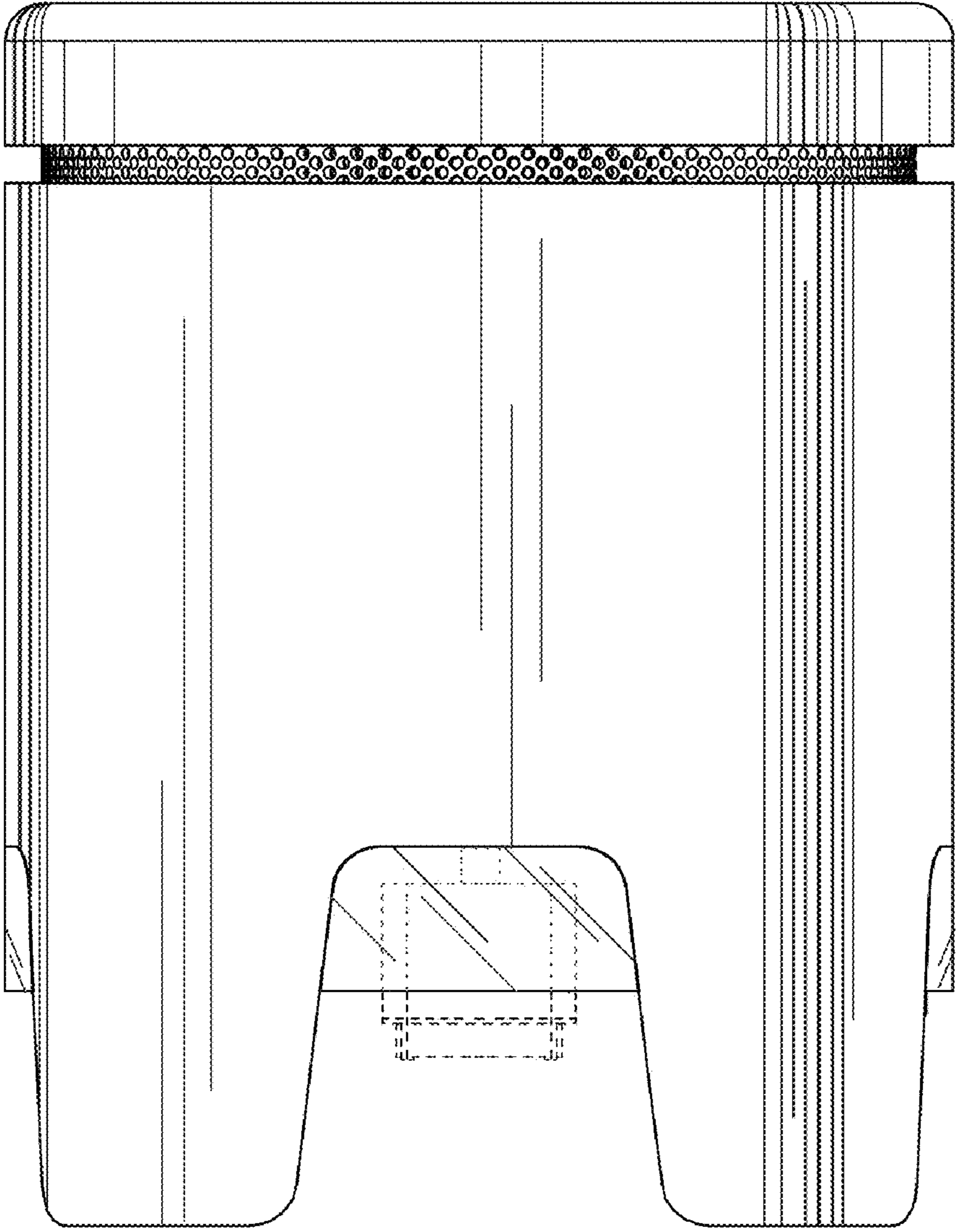


Fig 1

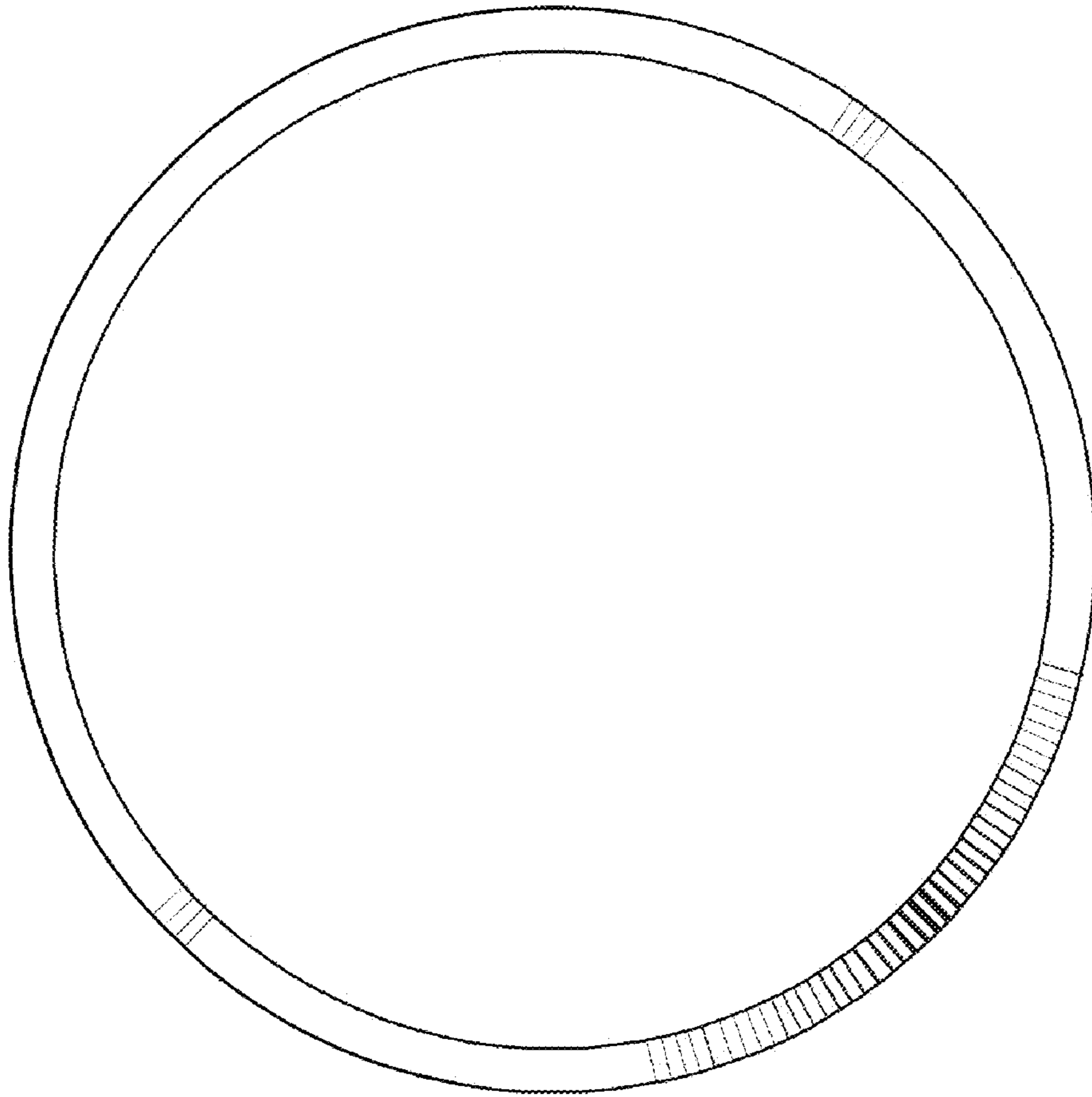


Fig 2

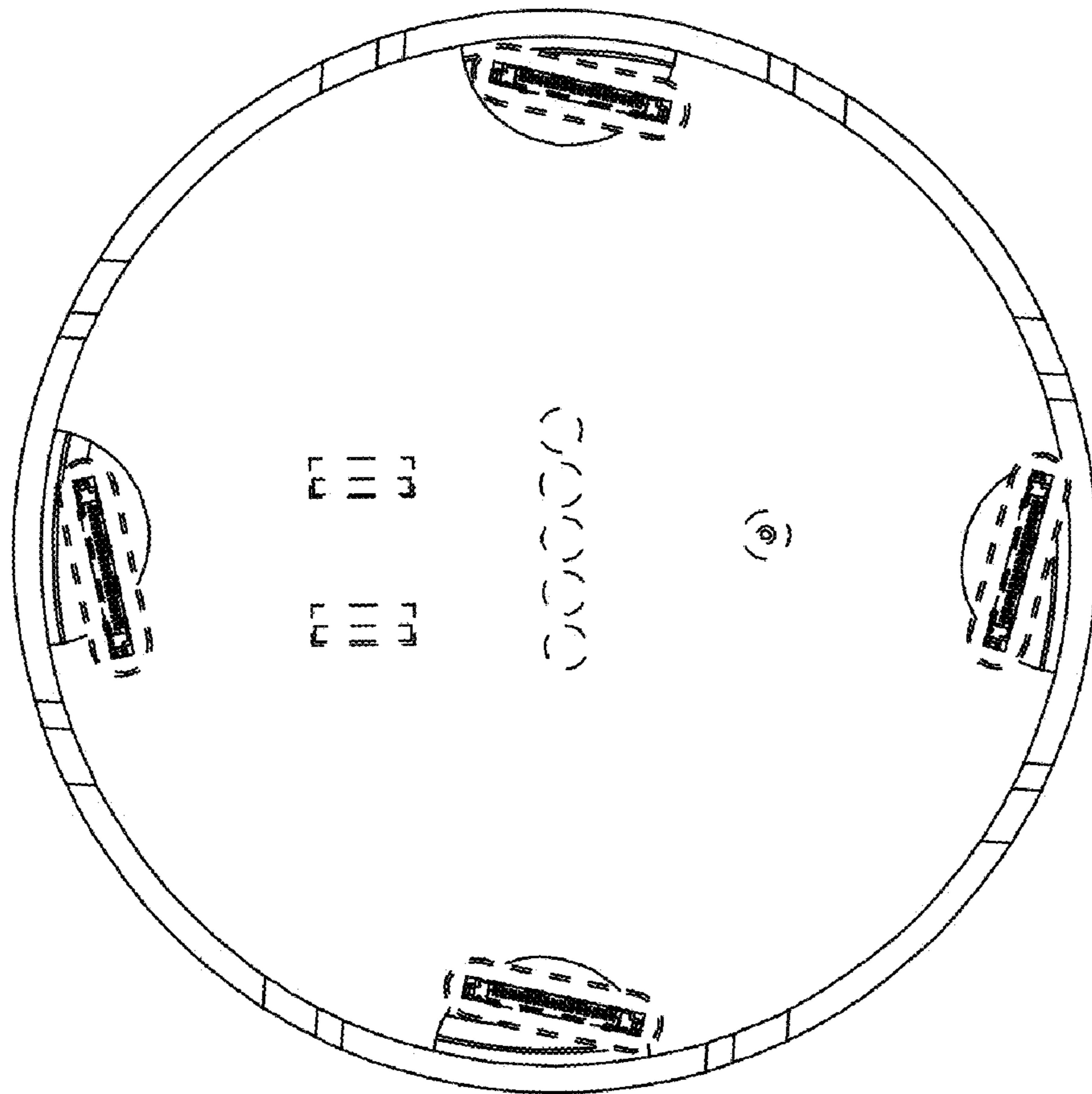


Fig 3

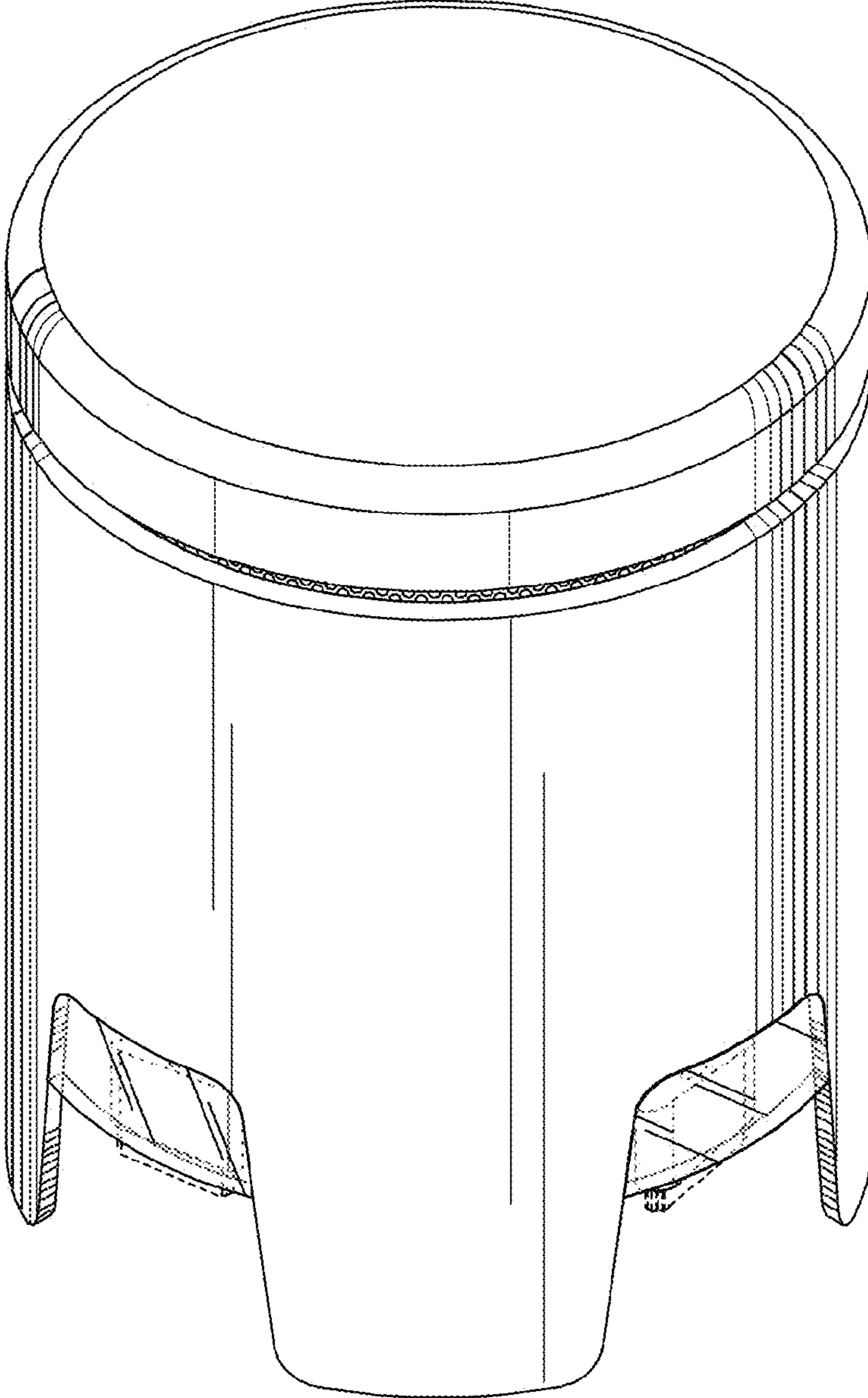


Fig 4

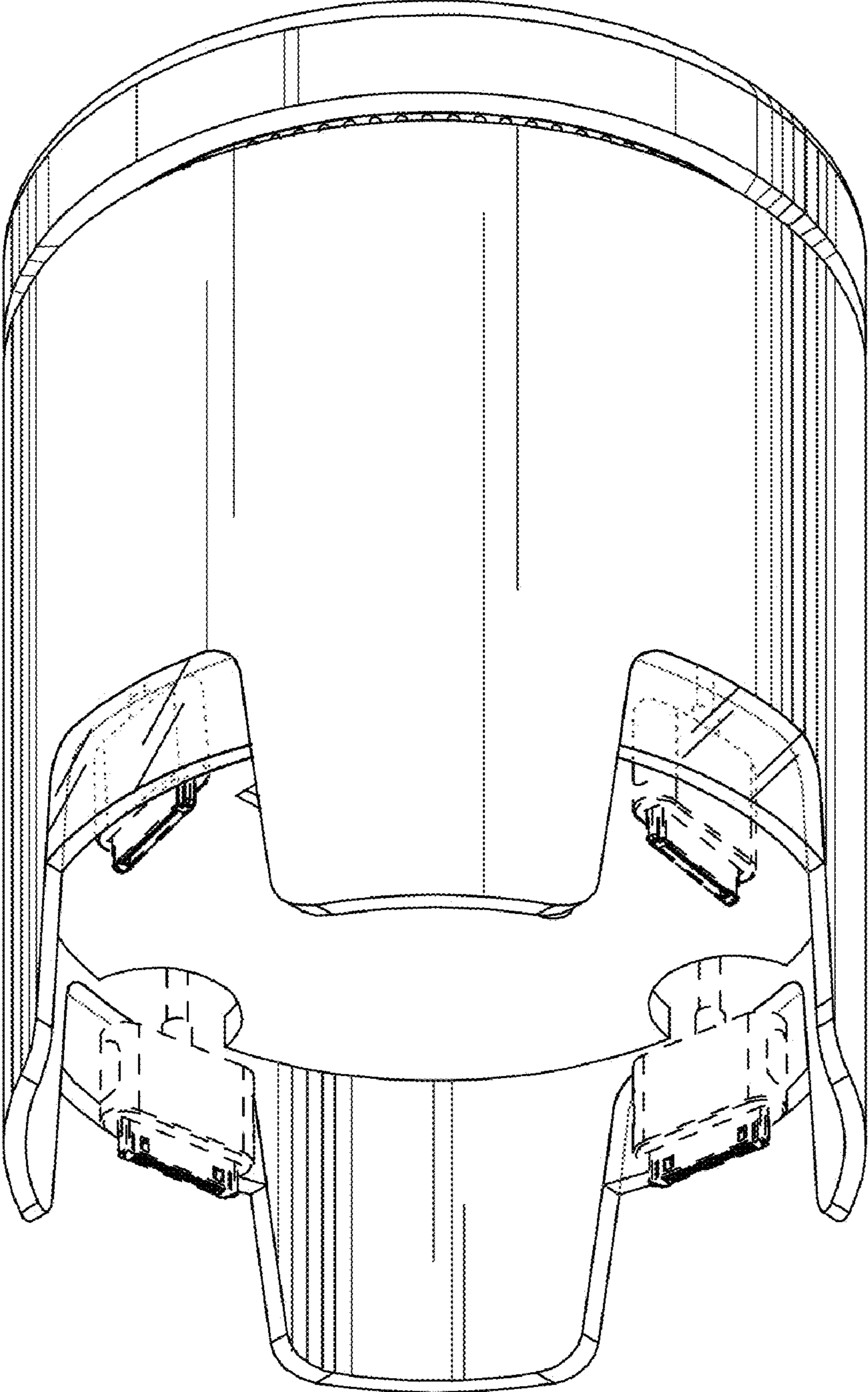


Fig 5