



US00D678188S

(12) **United States Design Patent**  
**Sasada**

(10) **Patent No.:** **US D678,188 S**  
(45) **Date of Patent:** **\*\* Mar. 19, 2013**

(54) **BATTERY**

(75) Inventor: **Motohiro Sasada**, Sumoto (JP)

(73) Assignee: **SANYO Electric Co., Ltd.**,  
Moriguchi-shi, Osaka (JP)

(\*\*) Term: **14 Years**

(21) Appl. No.: **29/427,187**

(22) Filed: **Jul. 16, 2012**

(30) **Foreign Application Priority Data**

Jan. 26, 2012 (JP) ..... 2012-001430

(51) **LOC (9) Cl.** ..... **13-02**

(52) **U.S. Cl.** ..... **D13/103**

(58) **Field of Classification Search** ..... D13/102-106,  
D13/110, 118-119, 184; 429/96-100, 163,  
429/176

See application file for complete search history.

(56) **References Cited**

**U.S. PATENT DOCUMENTS**

D386,742 S *	11/1997	Amero et al.	.....	D13/103
D394,841 S *	6/1998	Hashimoto et al.	.....	D13/103
D451,883 S *	12/2001	Reynolds	.....	D13/110
D452,475 S *	12/2001	Reynolds	.....	D13/110
D462,658 S *	9/2002	Reynolds	.....	D13/110
D494,924 S *	8/2004	Maruyama	.....	D13/103
D529,437 S *	10/2006	Miyashita	.....	D13/103
D535,944 S *	1/2007	Albano et al.	.....	D13/110
D555,587 S *	11/2007	Yamamoto et al.	.....	D13/103
D622,659 S *	8/2010	Soeda et al.	.....	D13/103
D642,978 S *	8/2011	Sato et al.	.....	D13/103
D642,980 S *	8/2011	Inaba	.....	D13/119
D644,988 S *	9/2011	Finney et al.	.....	D13/103
D645,814 S *	9/2011	Otani et al.	.....	D13/103

D649,933 S *	12/2011	Wang et al.	.....	D13/110
D651,167 S *	12/2011	Lemelman et al.	.....	D13/103
D661,249 S *	6/2012	Smith et al.	.....	D13/110
D666,148 S *	8/2012	Inaba	.....	D13/119
D669,427 S *	10/2012	Ignor et al.	.....	D13/103

**FOREIGN PATENT DOCUMENTS**

JP 1367815 S 8/2009

\* cited by examiner

*Primary Examiner* — Rosemary K Tarcza

(74) *Attorney, Agent, or Firm* — Westerman, Hattori,  
Daniels & Adrian, LLP

(57) **CLAIM**

The ornamental design for a battery, as shown and described.

**DESCRIPTION**

FIG. 1 is a left front perspective view of a battery, showing my new design;

FIG. 2 is a left rear perspective view thereof;

FIG. 3 is a front elevational view thereof;

FIG. 4 is a rear elevational view thereof;

FIG. 5 is a top plan view thereof;

FIG. 6 is a bottom plan view thereof;

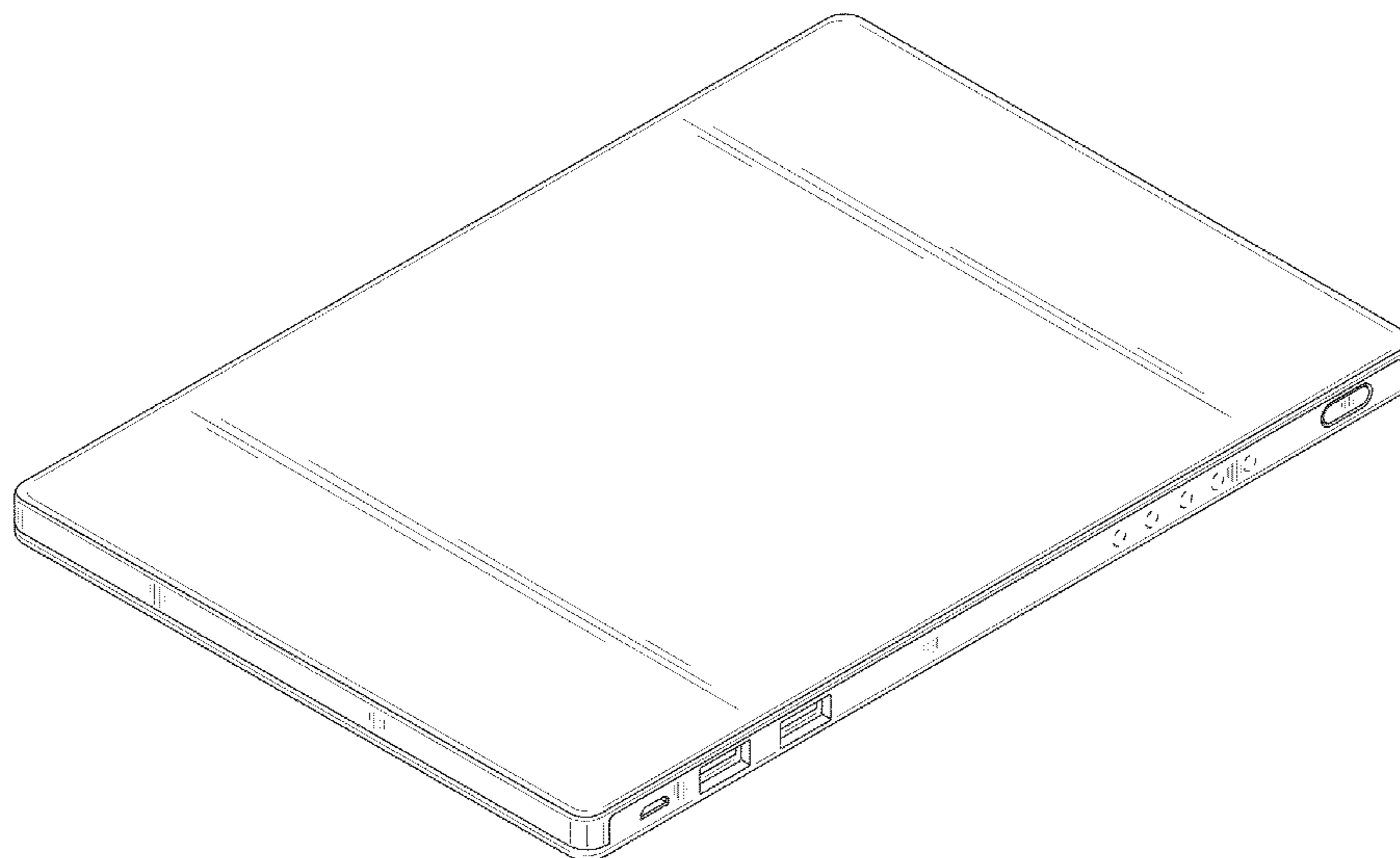
FIG. 7 is a right side elevational view thereof, the left side elevational view being a mirror image thereof;

FIG. 8 is a perspective view showing the battery in use, wherein the cable portion is plugged into an electronic device; and,

FIG. 9 is a perspective view showing the battery in use, wherein an adapter is plugged into the battery for charging.

The broken lines illustrate environmental structure only and form no part of the claimed design.

**1 Claim, 9 Drawing Sheets**



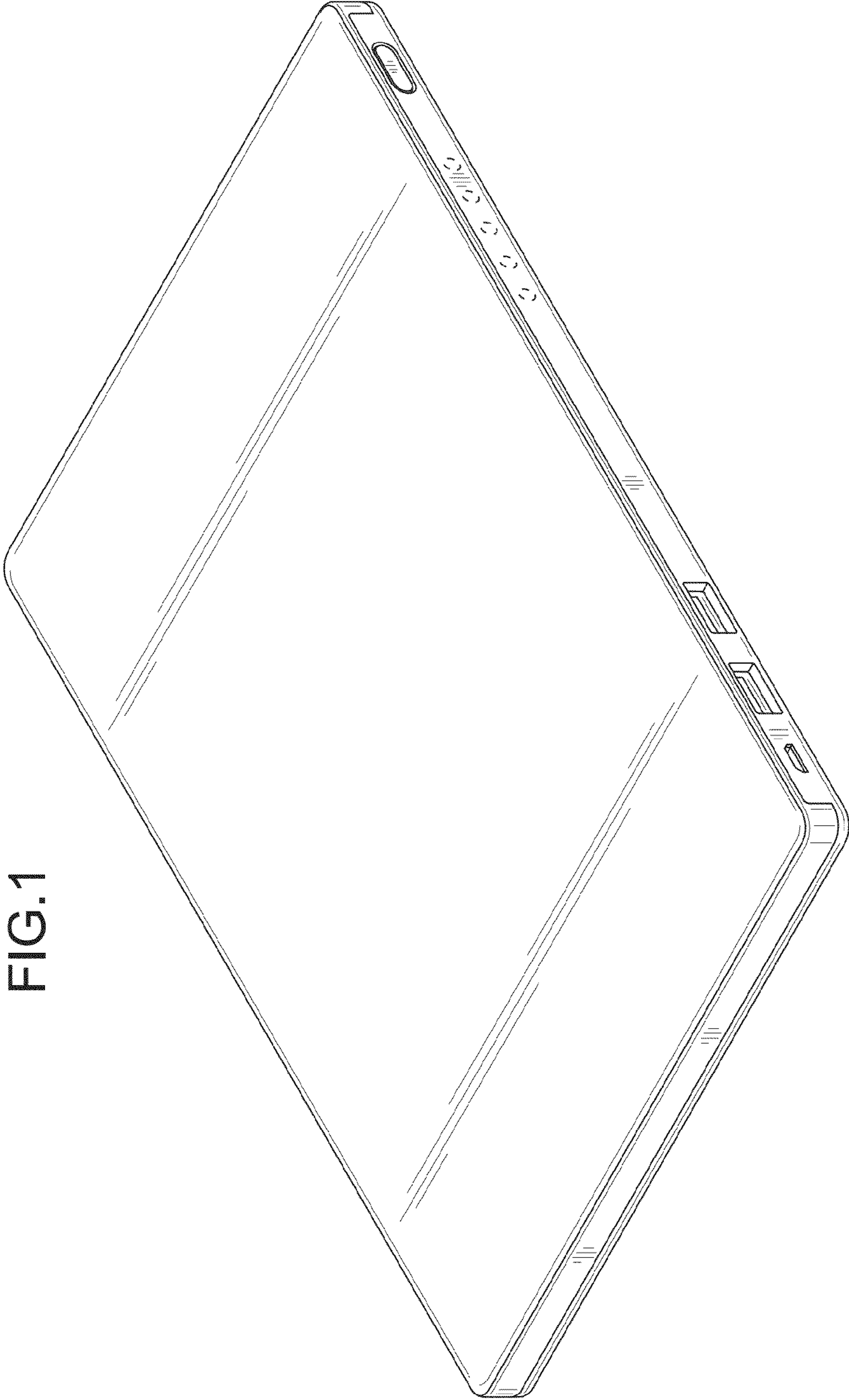


FIG.1

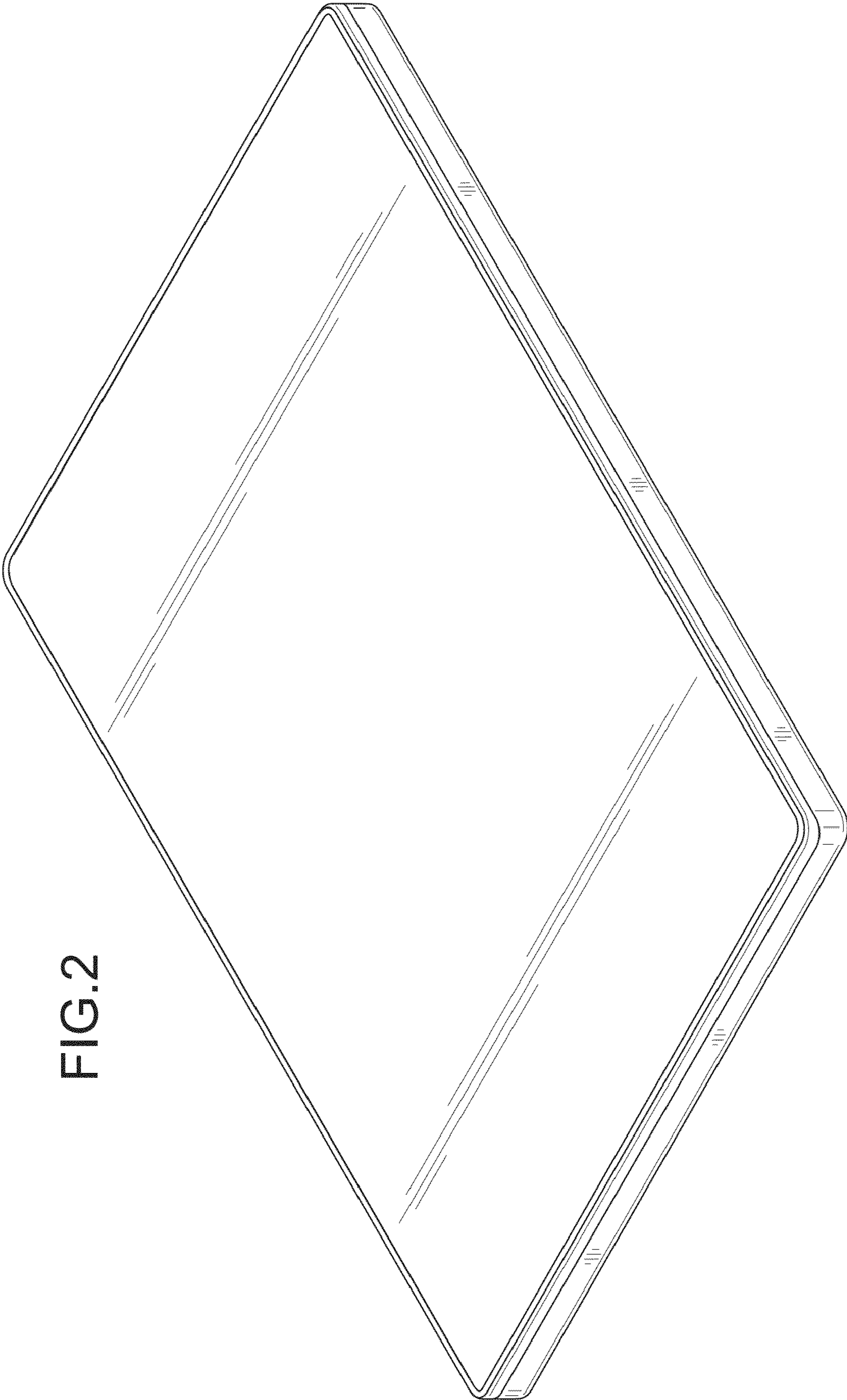


FIG.2

FIG.3

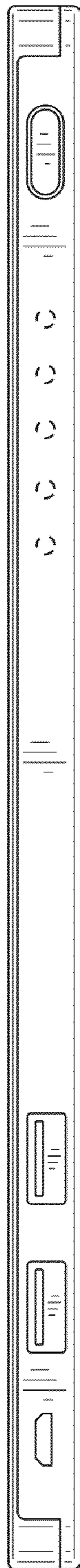


FIG.4



FIG. 5

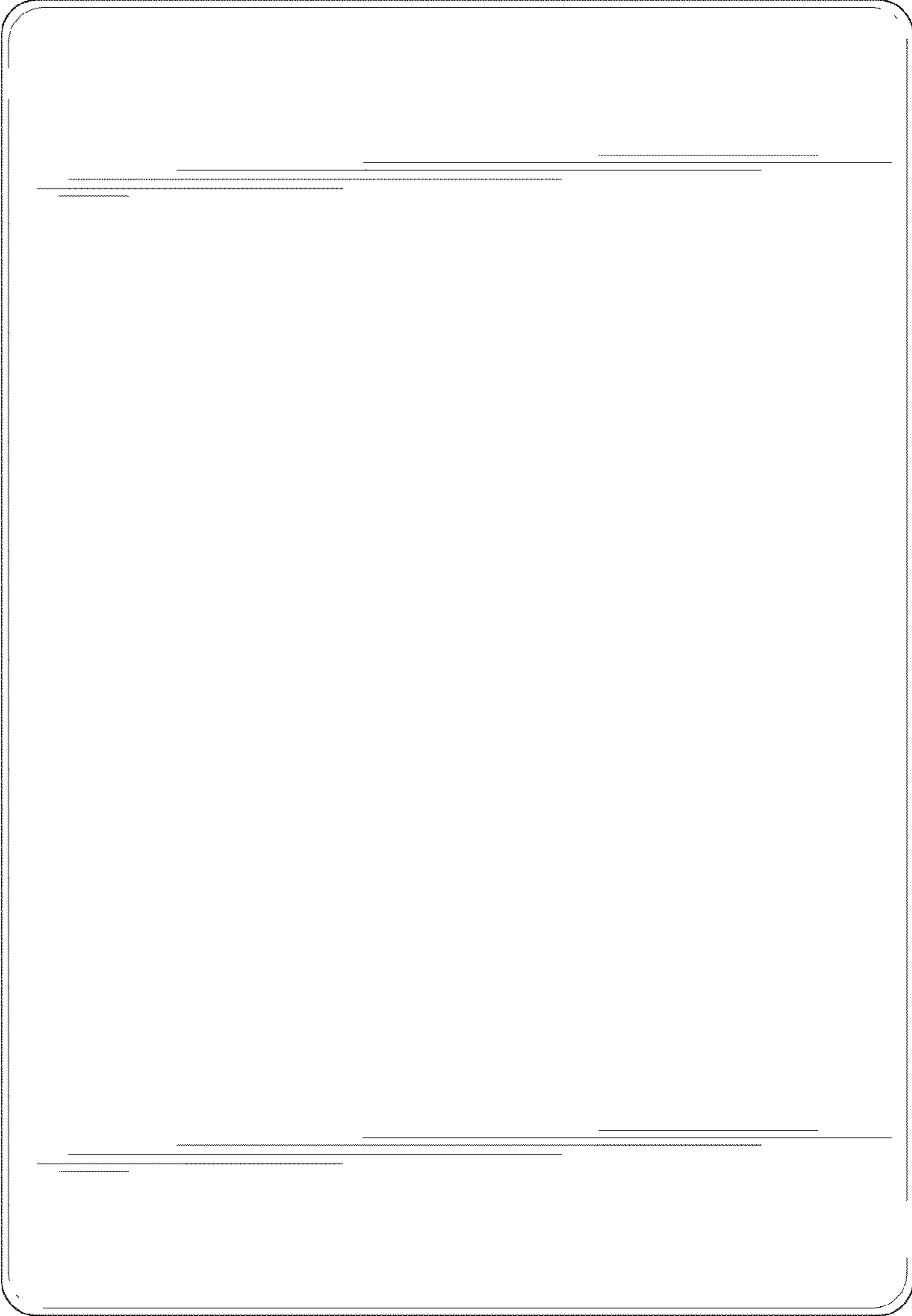


FIG. 6

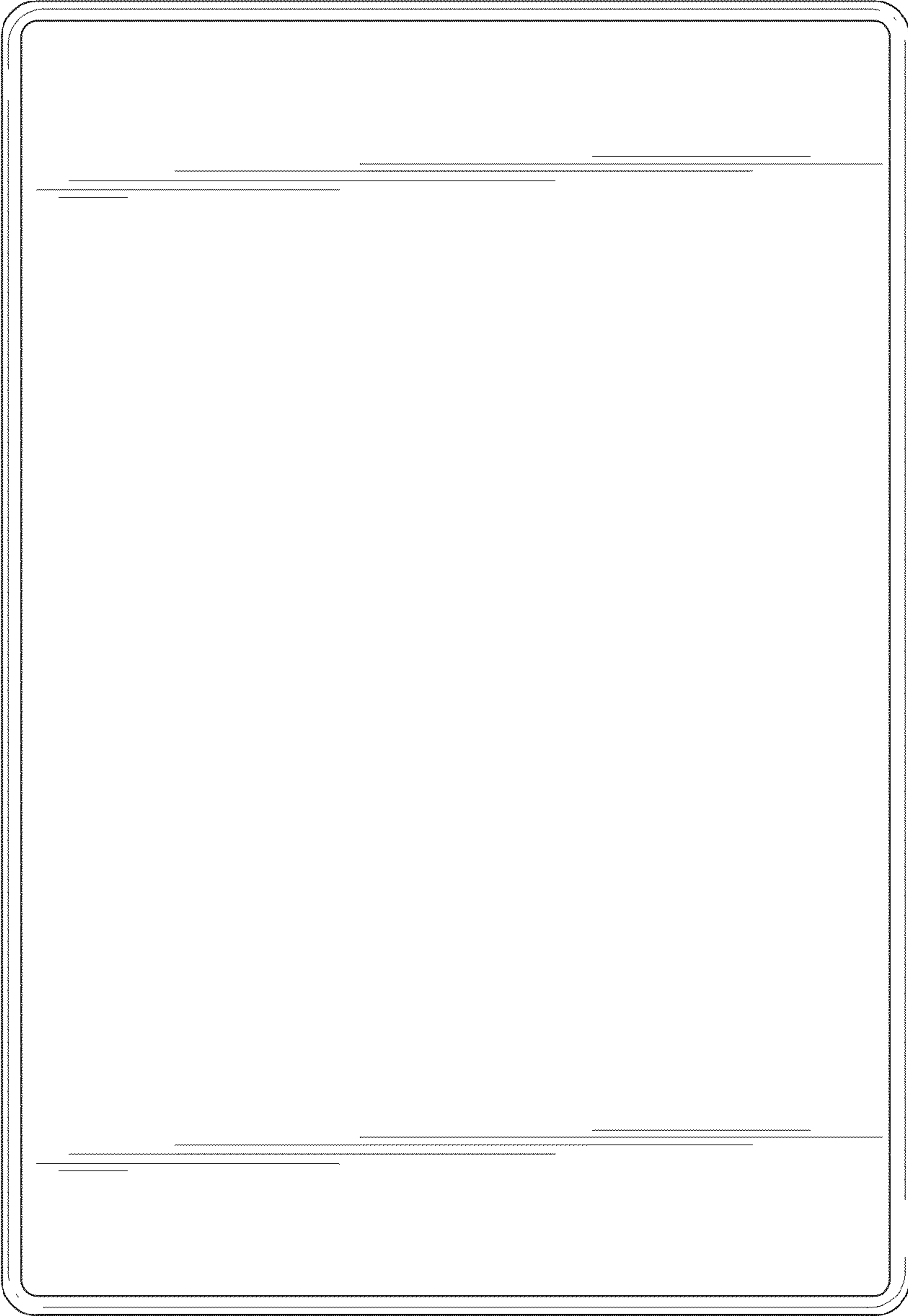
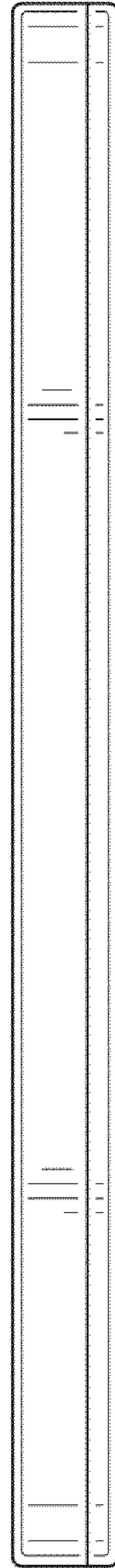
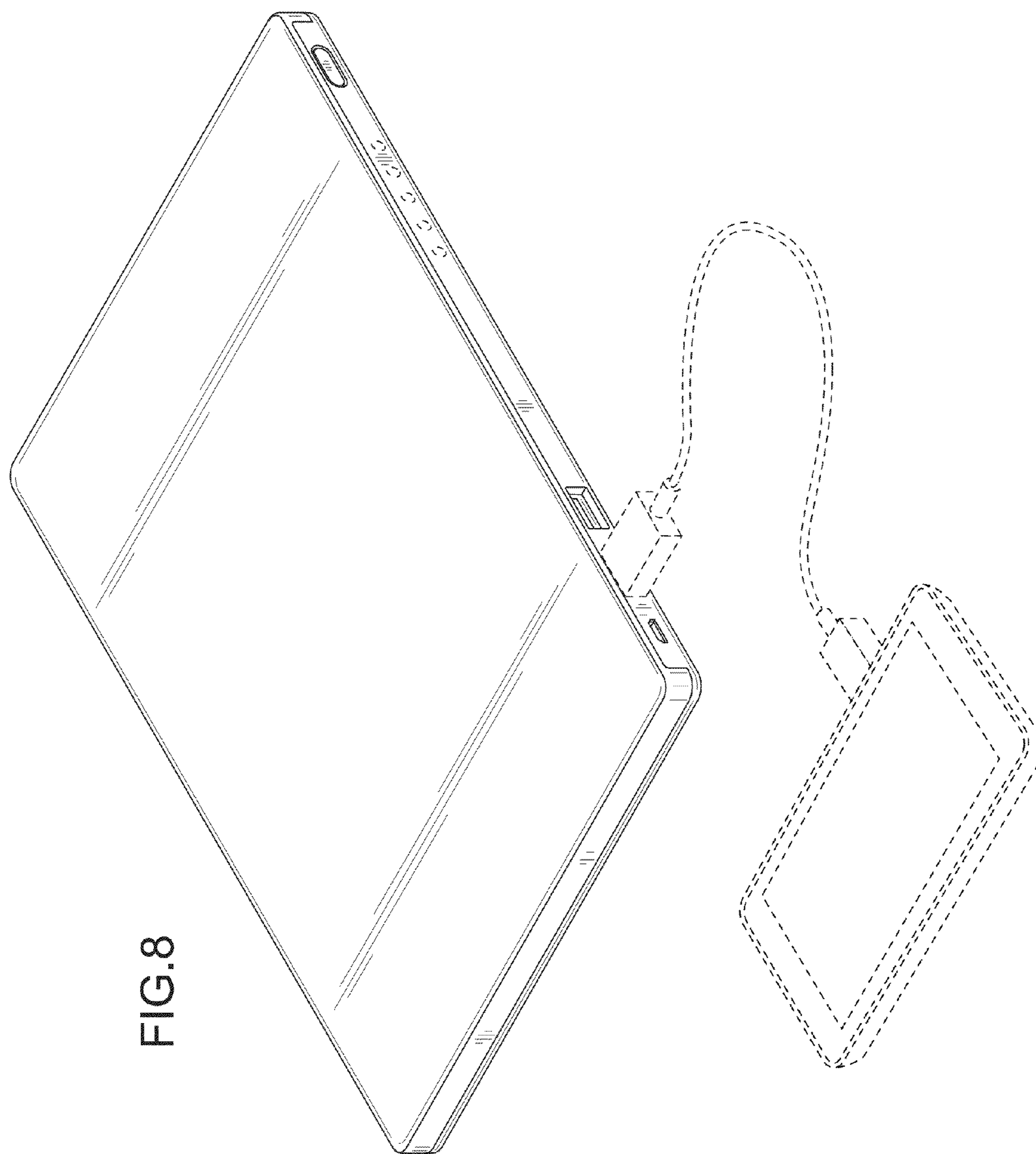


FIG.7







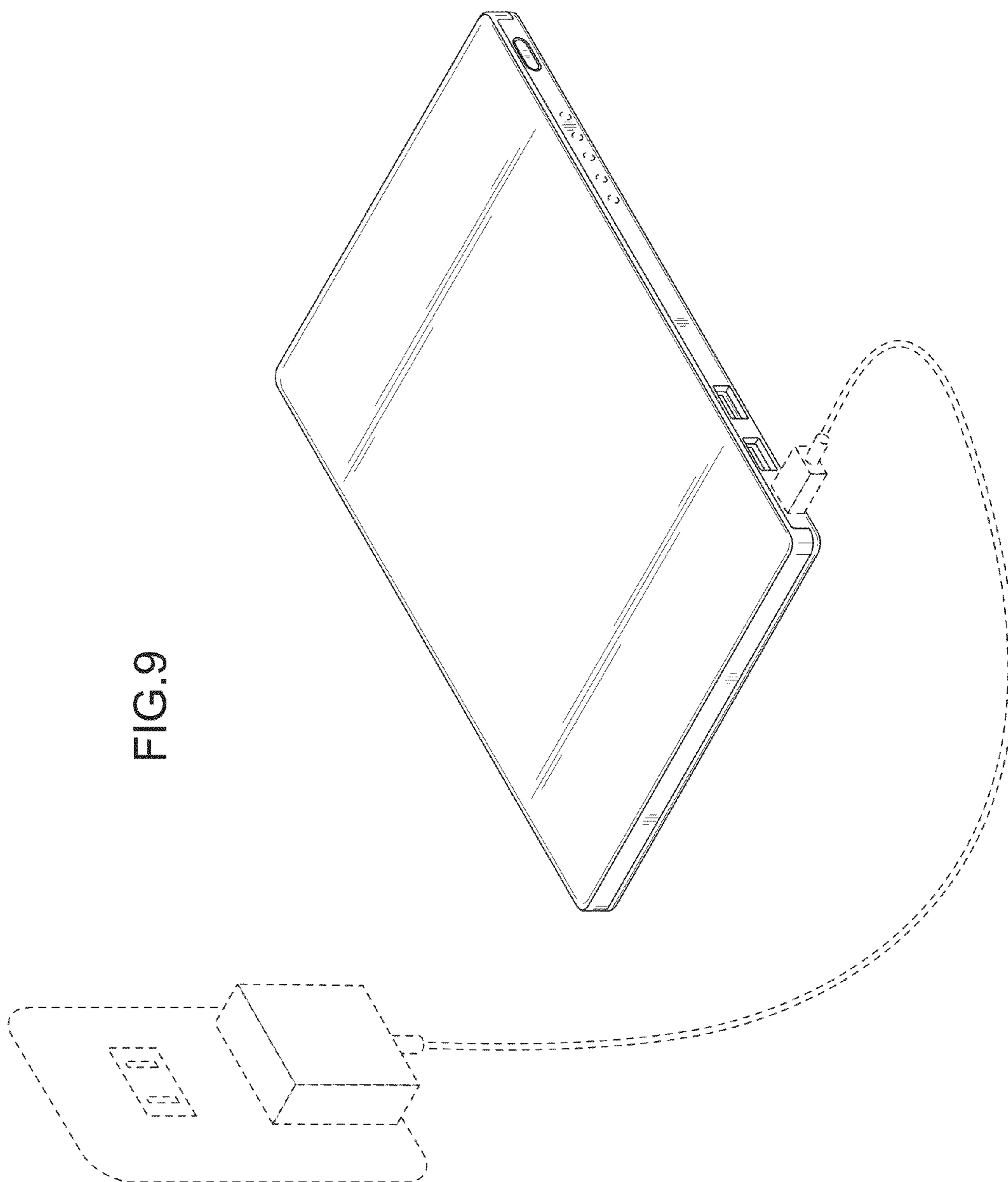


FIG. 9