



US00D678187S

(12) **United States Design Patent**  
**Huang**

(10) **Patent No.:** **US D678,187 S**

(45) **Date of Patent:** **\*\* Mar. 19, 2013**

(54) **MOBILE POWER PACK**

(76) Inventor: **Chao Kuang Huang**, Taichung (TW)

(\*\*) Term: **14 Years**

(21) Appl. No.: **29/427,057**

(22) Filed: **Jul. 13, 2012**

(51) **LOC (9) Cl.** ..... **13-02**

(52) **U.S. Cl.** ..... **D13/103; D13/108**

(58) **Field of Classification Search** ..... D13/102–110,  
D13/118–119, 184; 429/96–100, 163, 176;  
320/107–115

See application file for complete search history.

(56) **References Cited**

**U.S. PATENT DOCUMENTS**

D411,201 S *	6/1999	Munoz	.....	D14/217
D423,452 S *	4/2000	Fujisawa et al.	.....	D13/110
D424,528 S *	5/2000	Dernehl	.....	D13/184
D484,853 S *	1/2004	Alviar	.....	D13/110
D602,430 S *	10/2009	Green et al.	.....	D13/110
D604,725 S *	11/2009	Chen	.....	D14/240
D632,648 S *	2/2011	Yang	.....	D13/108
D638,357 S *	5/2011	Sasada et al.	.....	D13/110
D643,807 S *	8/2011	Jiang	.....	D13/103

D648,270 S *	11/2011	Jiang	.....	D13/103
D654,852 S *	2/2012	Hansen	.....	D13/103
D658,581 S *	5/2012	Reade et al.	.....	D13/110
D671,489 S *	11/2012	Zaslavsky et al.	.....	D13/110

\* cited by examiner

*Primary Examiner* — Rosemary K Tarcza

(74) *Attorney, Agent, or Firm* — Lin & Associates IP, Inc.

(57) **CLAIM**

The ornamental design for a mobile power pack, is as shown and described.

**DESCRIPTION**

FIG. 1 is a perspective view of a mobile power pack showing my new design;

FIG. 2 is a front elevational view thereof;

FIG. 3 is a rear elevational view thereof;

FIG. 4 is a left elevational view thereof;

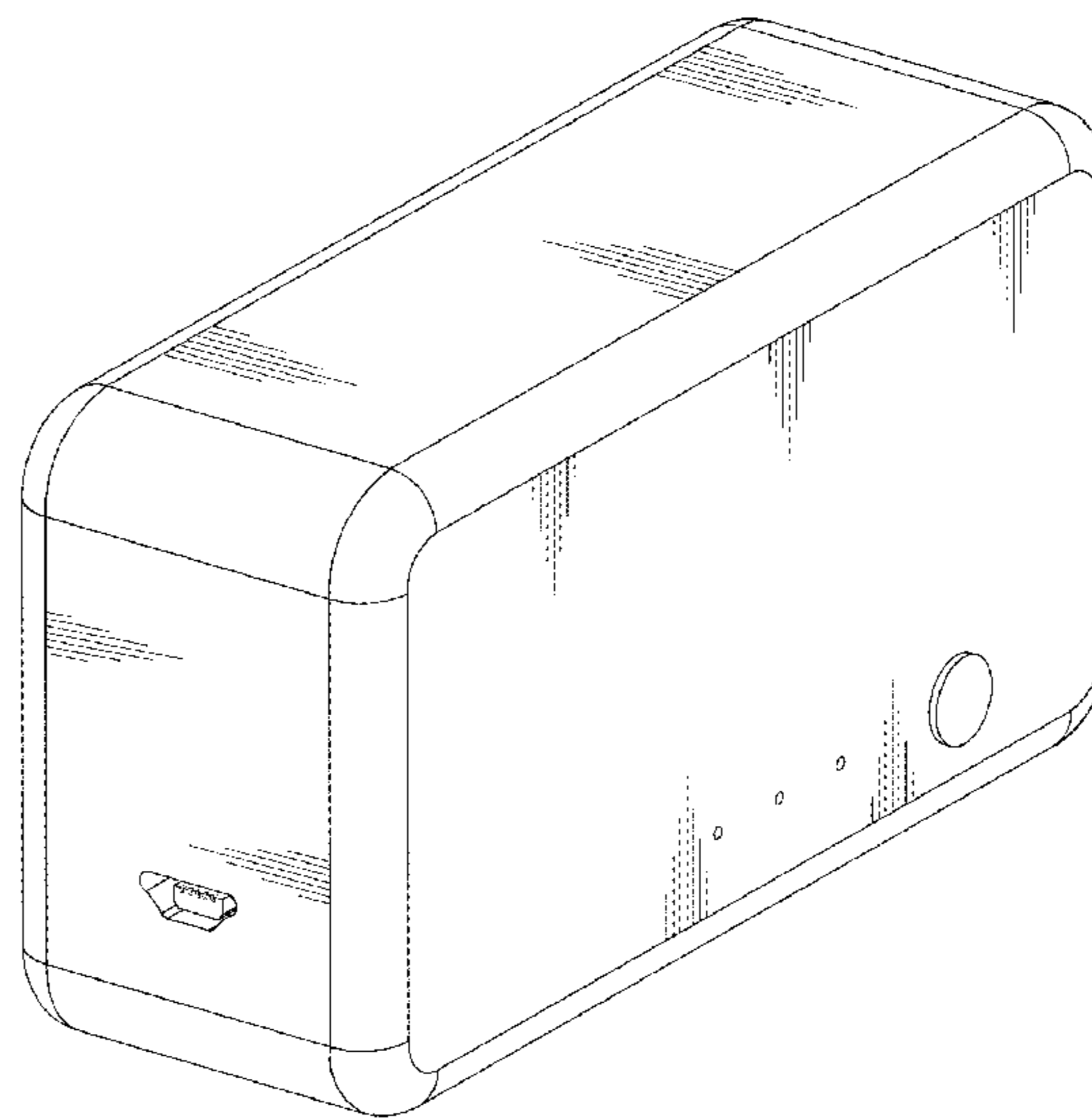
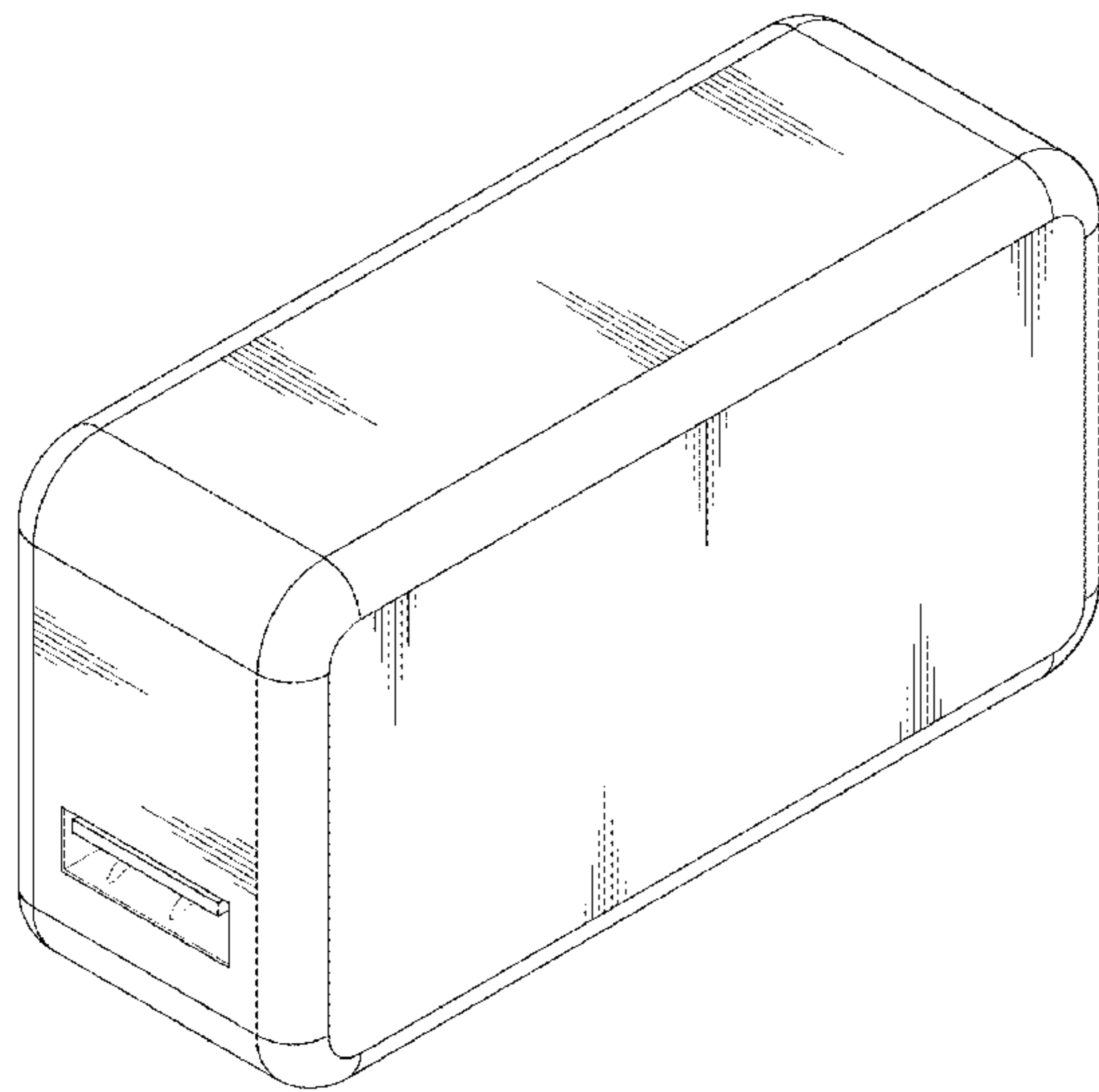
FIG. 5 is a right elevational view thereof;

FIG. 6 is a top view thereof;

FIG. 7 is a bottom view thereof; and,

FIG. 8 is a perspective view of the mobile power pack from another direction.

**1 Claim, 8 Drawing Sheets**



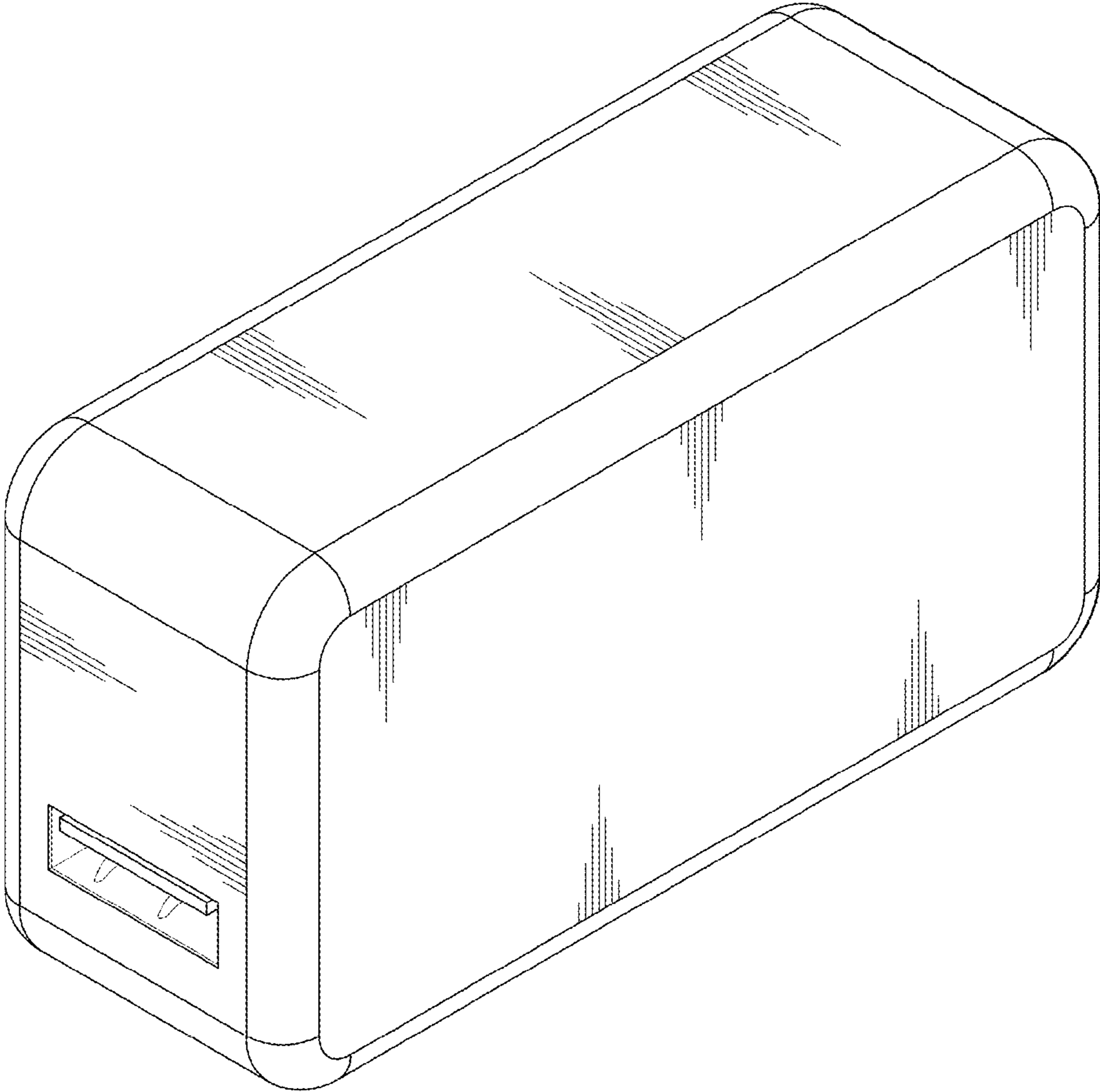


FIG. 1

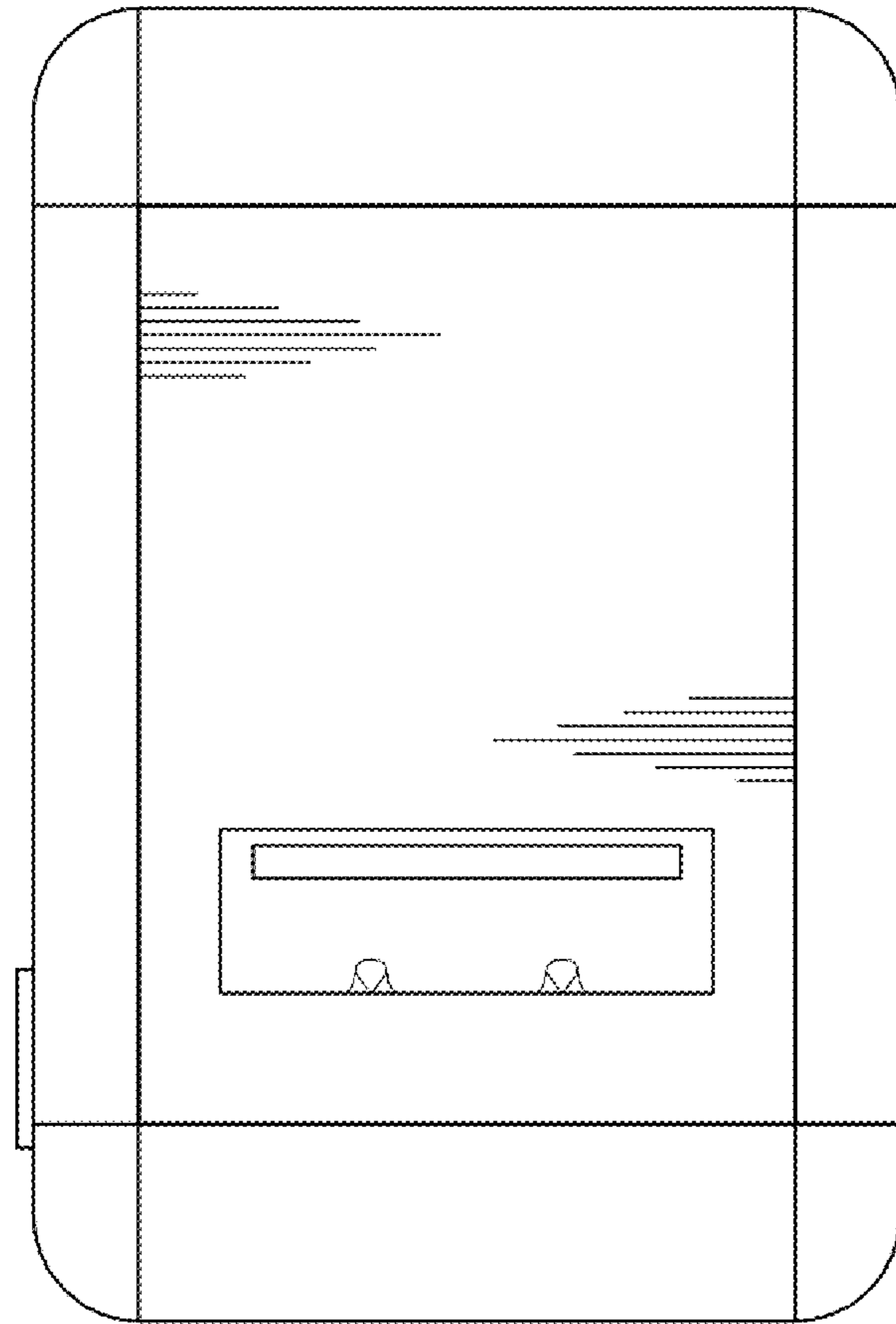


FIG. 2

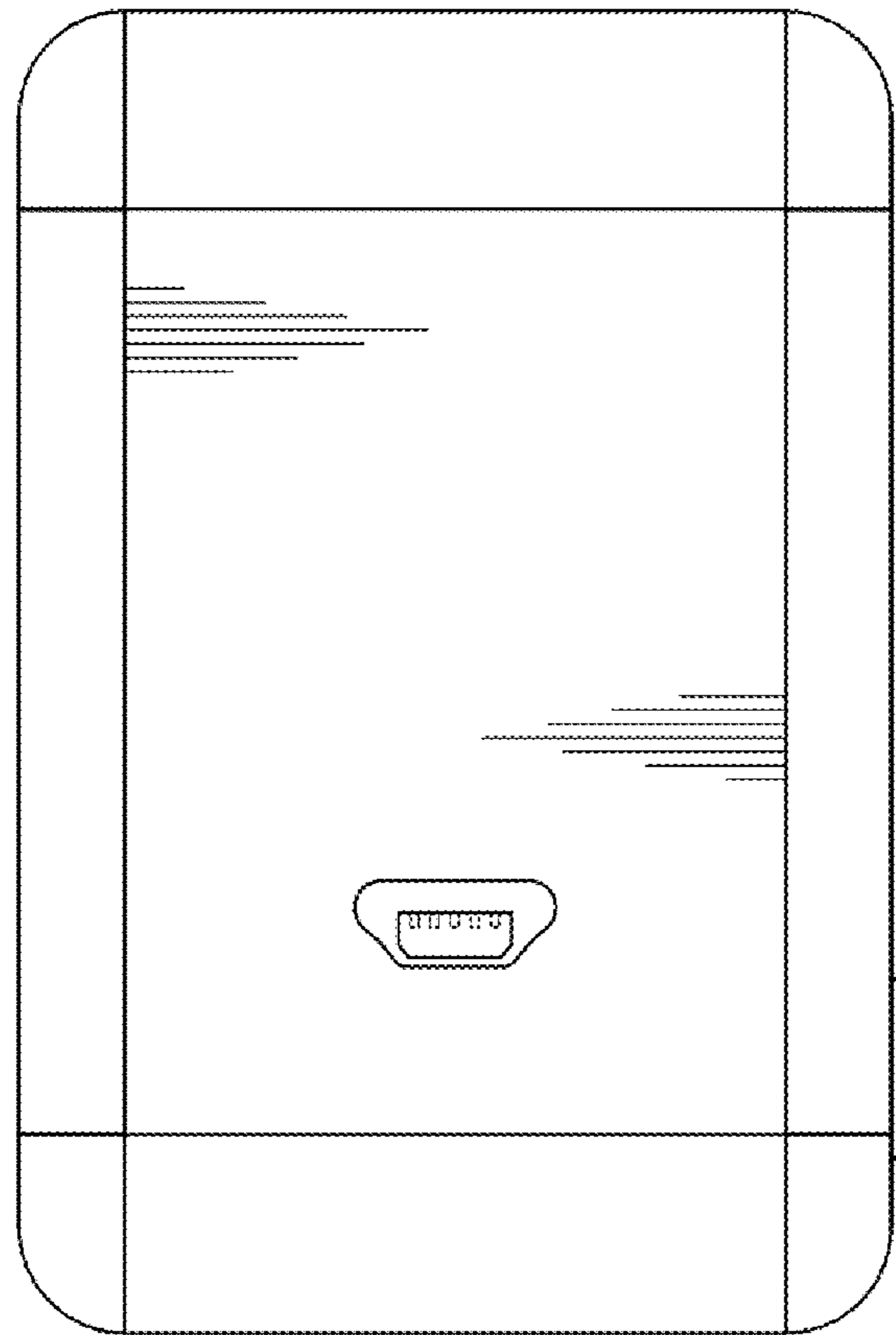


FIG. 3

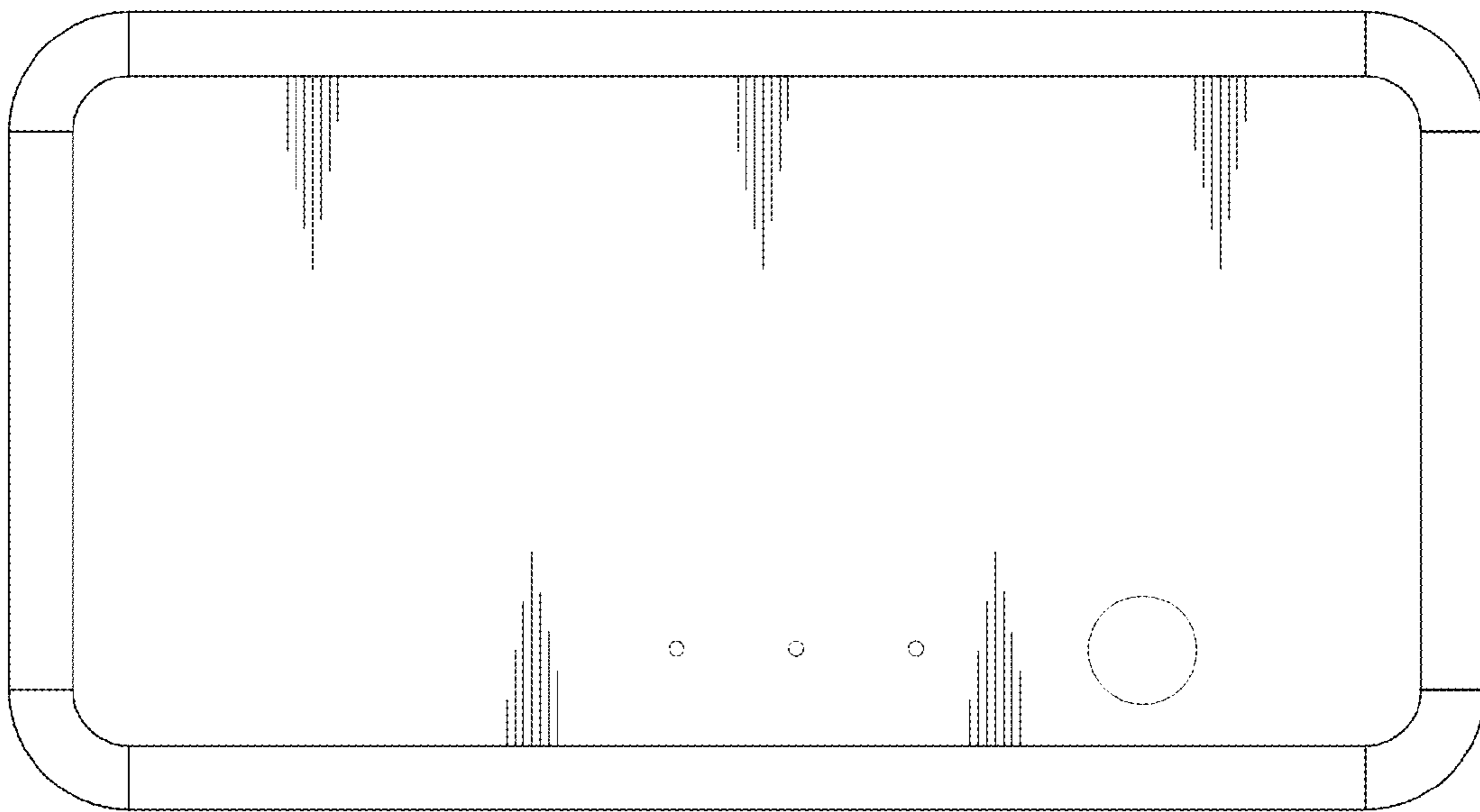


FIG. 4

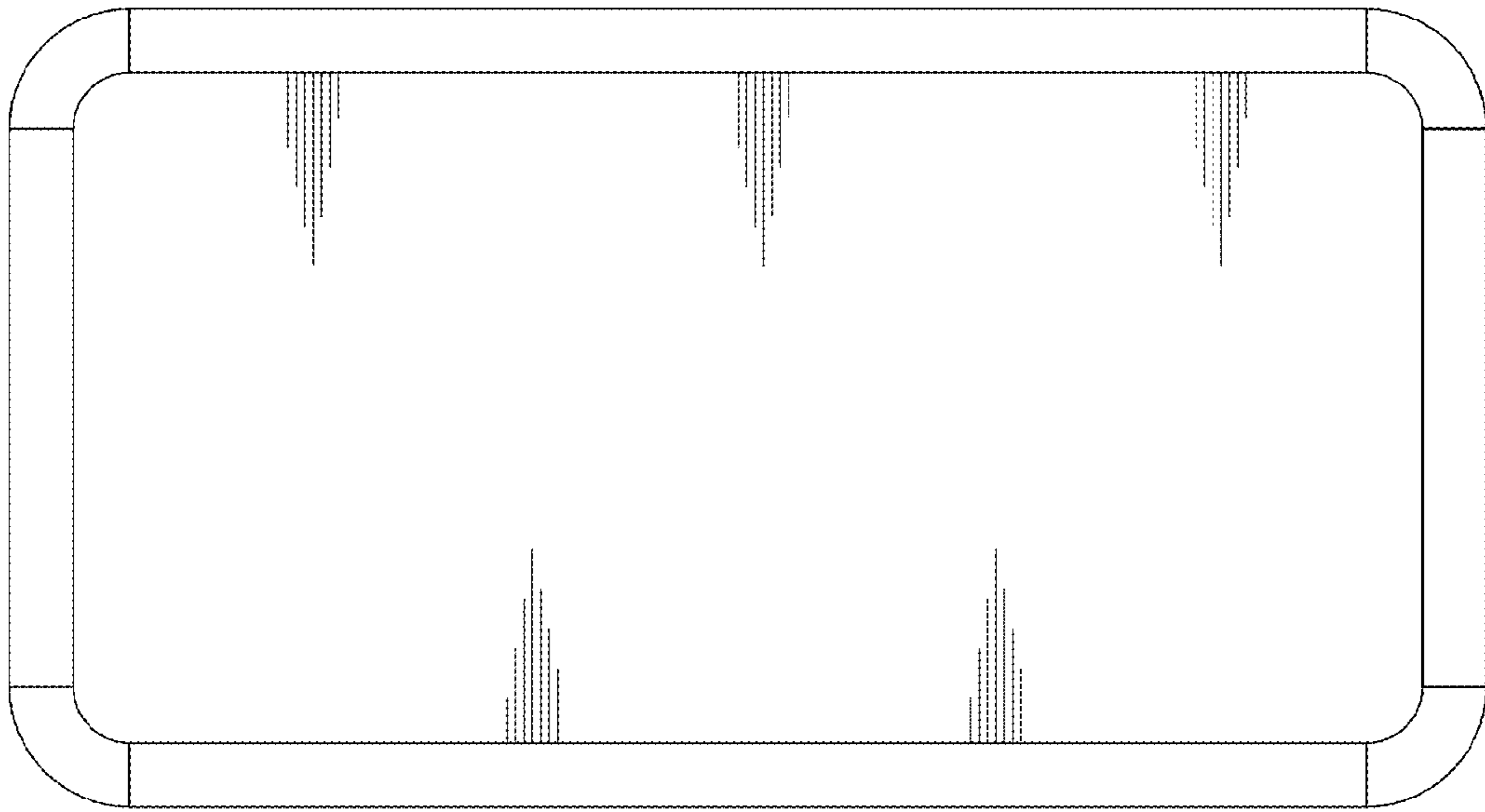


FIG. 5

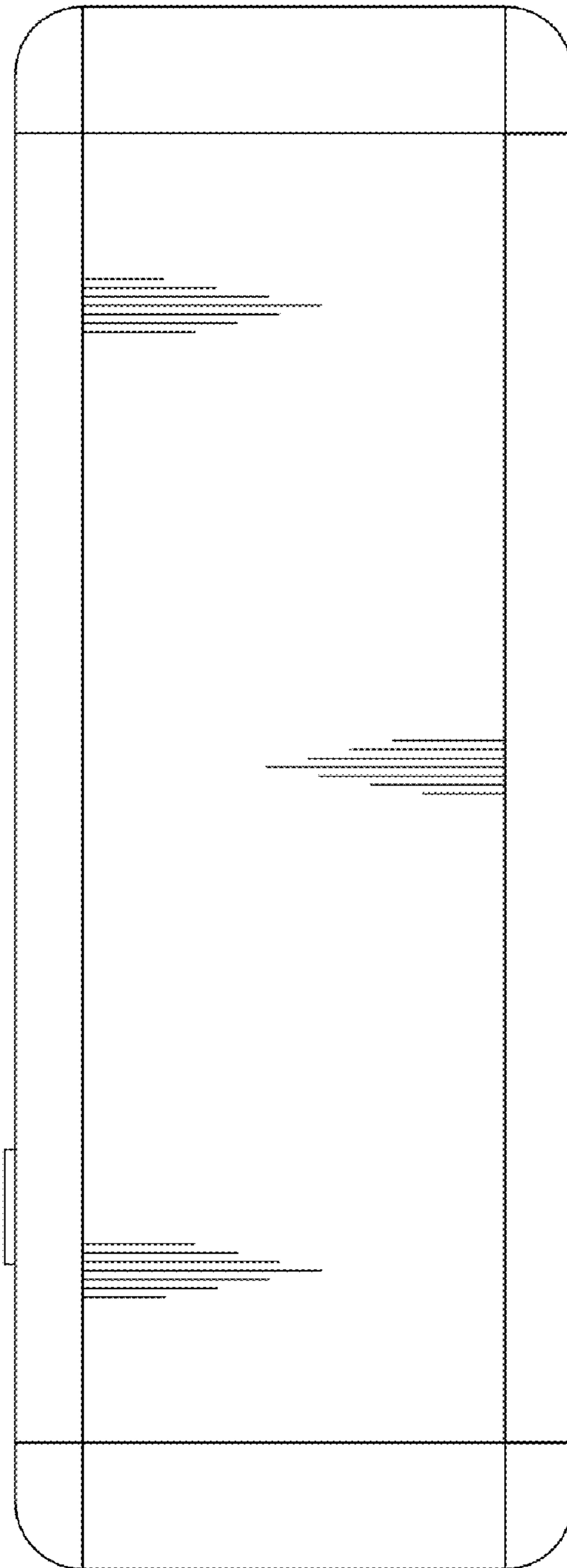


FIG. 6

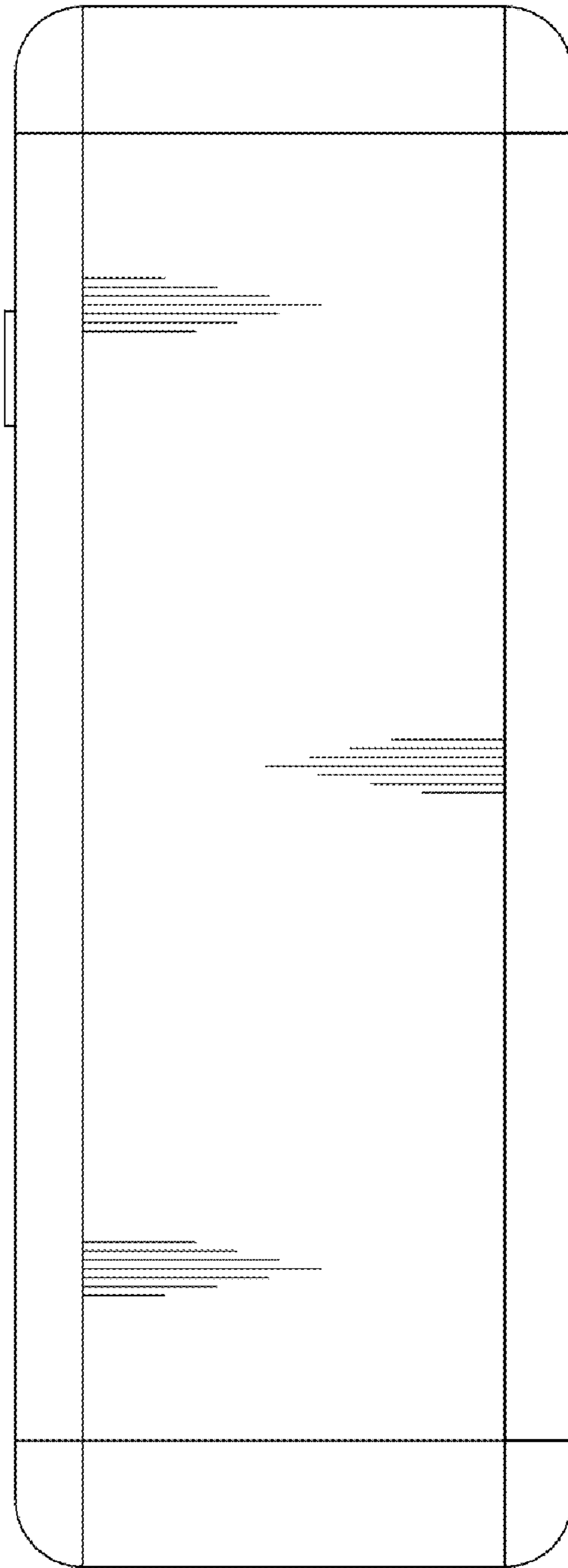


FIG. 7



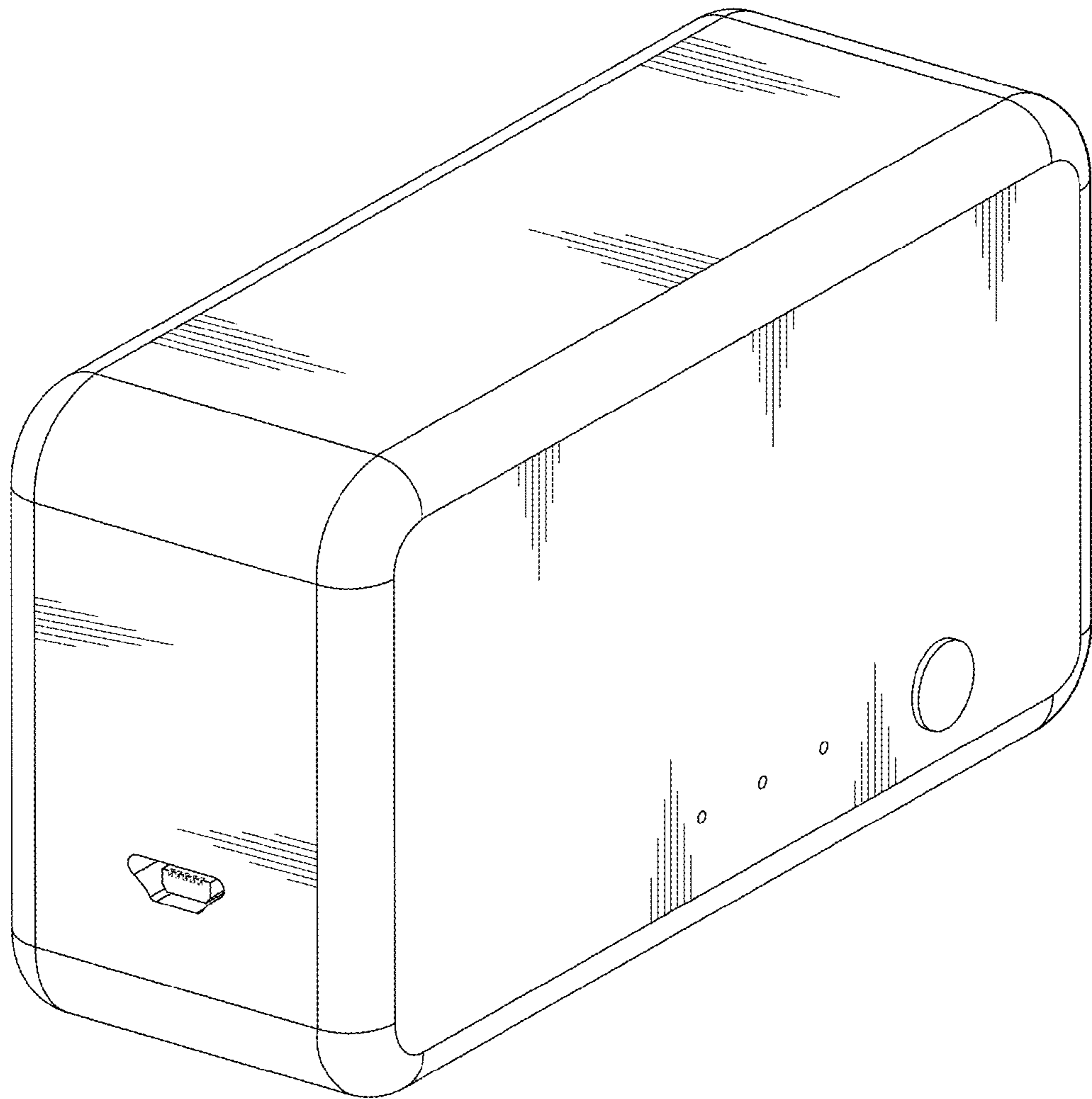


FIG. 8