



US00D678185S

(12) **United States Design Patent**
Horiuchi et al.

(10) **Patent No.:** **US D678,185 S**
(45) **Date of Patent:** **** Mar. 19, 2013**

(54) **STORAGE BATTERY**

(75) Inventors: **Tatsuhito Horiuchi**, Kakogawa (JP);
Yoshinori Yokoyama, Itano-gun (JP);
Yasuhiro Yamauchi, Sumoto (JP);
Shingo Ochi, Takasago (JP)

(73) Assignee: **SANYO Electric Co., Ltd.**,
Moriguchi-shi, Osaka (JP)

(**) Term: **14 Years**

(21) Appl. No.: **29/422,291**

(22) Filed: **May 18, 2012**

(30) **Foreign Application Priority Data**

Nov. 28, 2011 (JP) 2011-027361
Nov. 28, 2011 (JP) 2011-027362

(51) **LOC (9) Cl.** **13-02**

(52) **U.S. Cl.** **D13/103**

(58) **Field of Classification Search** D13/102-106,
D13/110, 118-119, 184; 429/96-100, 163,
429/176

See application file for complete search history.

(56) **References Cited**

U.S. PATENT DOCUMENTS

4,131,723 A * 12/1978 Dalibard et al. 429/81
6,045,883 A * 4/2000 Akiyama et al. 428/35.7
7,794,871 B2 * 9/2010 Kim 429/159
D644,176 S * 8/2011 Sato et al. D13/119
8,054,041 B2 * 11/2011 Kim et al. 320/112
D652,382 S * 1/2012 Yamauchi et al. D13/119
2010/0143786 A1 * 6/2010 Kim 429/158
2010/0297484 A1 * 11/2010 Kim 429/72

FOREIGN PATENT DOCUMENTS

JP 1175601 S 6/2003
JP 1333279 S 6/2008
JP 1413939 S 5/2011

* cited by examiner

Primary Examiner — Rosemary K Tarcza

(74) *Attorney, Agent, or Firm* — Westerman, Hattori,
Daniels & Adrian, LLP

(57) **CLAIM**

The ornamental design for a storage battery, as shown and described.

DESCRIPTION

FIG. 1 is a right front perspective view of a first embodiment of the storage battery showing our new design;

FIG. 2 is a front elevational view thereof;

FIG. 3 is a rear elevational view thereof;

FIG. 4 is a top plan view thereof;

FIG. 5 is a bottom plan view thereof;

FIG. 6 is a right side elevational view thereof;

FIG. 7 is a left side elevational view thereof;

FIG. 8 is a cross-sectional view thereof taken along lines 8-8 of FIG. 4;

FIG. 9 is a right front perspective view of a second embodiment thereof;

FIG. 10 is a front elevational view thereof;

FIG. 11 is a rear elevational view thereof;

FIG. 12 is a top plan view thereof;

FIG. 13 is a bottom plan view thereof;

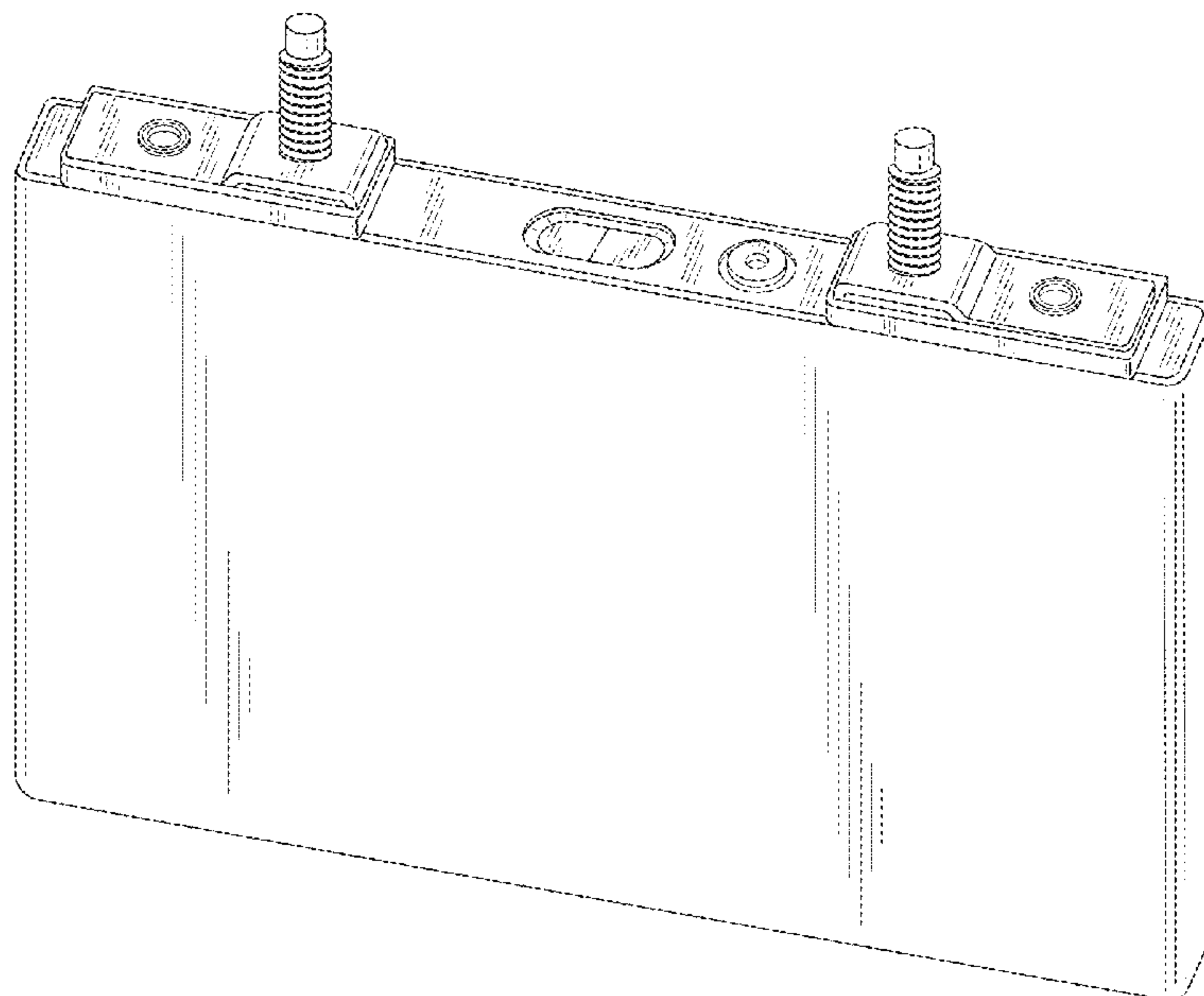
FIG. 14 is a right side elevational view thereof;

FIG. 15 is a left side elevational view thereof; and,

FIG. 16 is a cross-sectional view thereof taken along lines 16-16 of FIG. 12.

The broken lines illustrate environmental structure only and form no part of the claimed design.

1 Claim, 12 Drawing Sheets



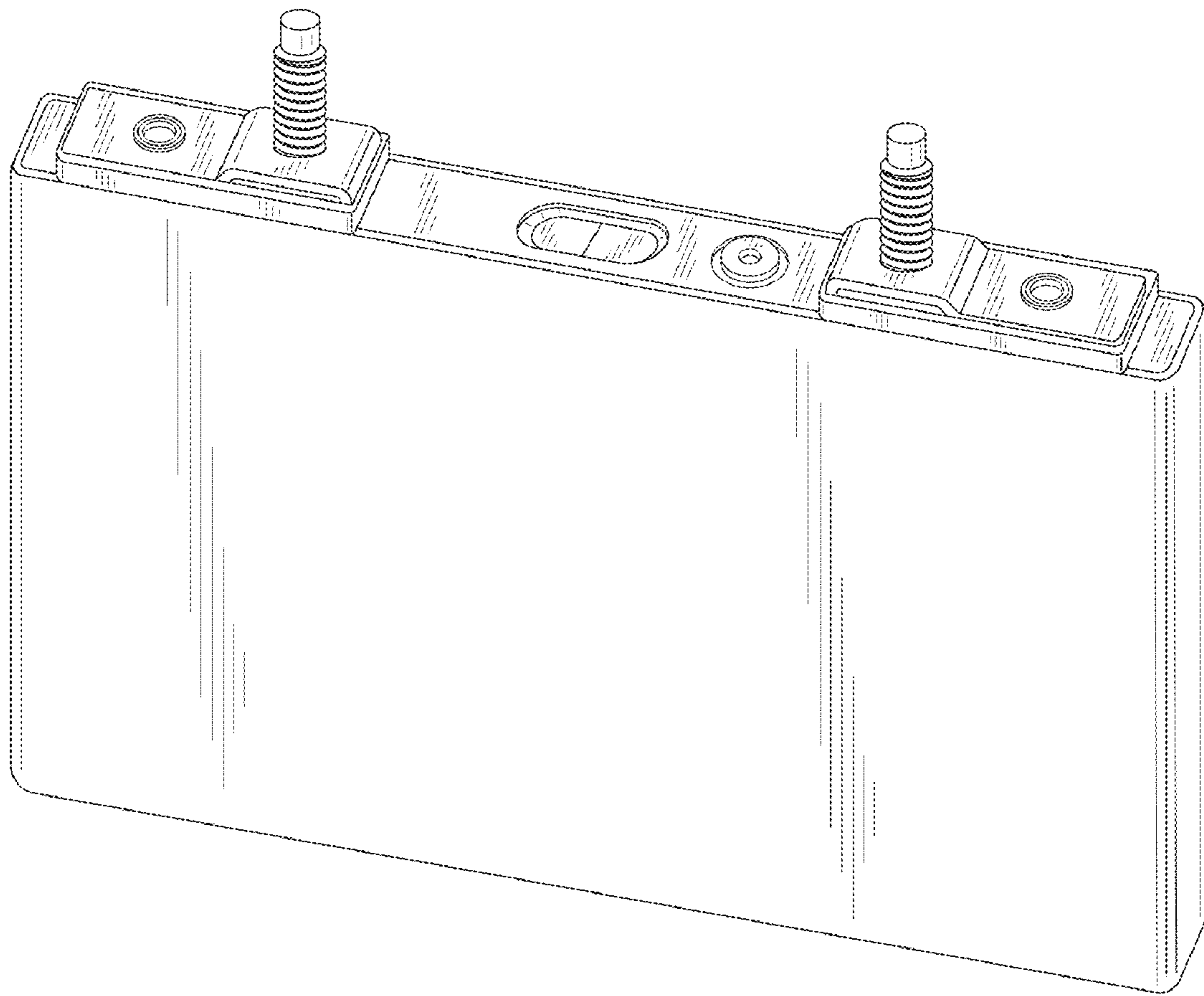


FIG. 1

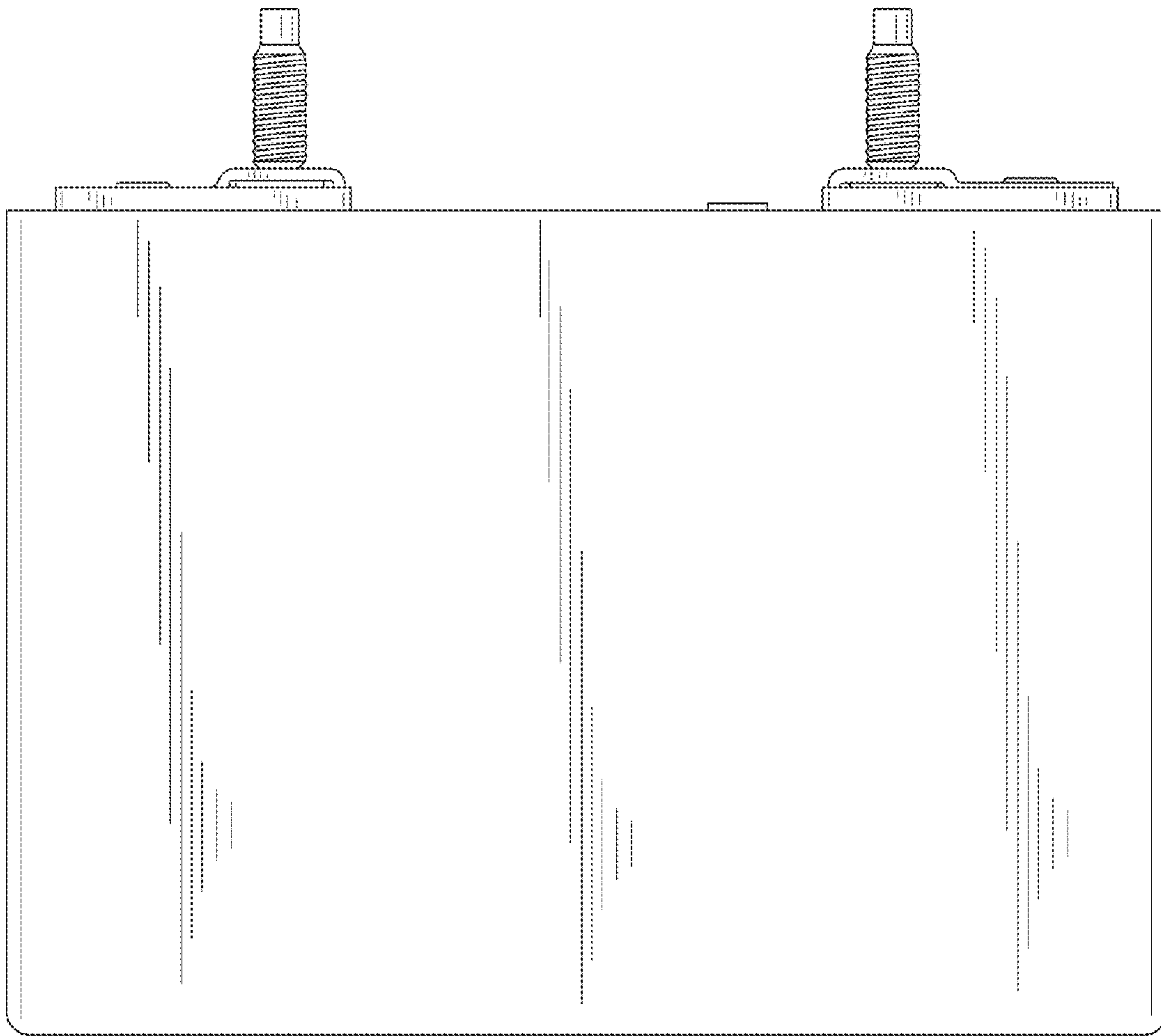


FIG.2

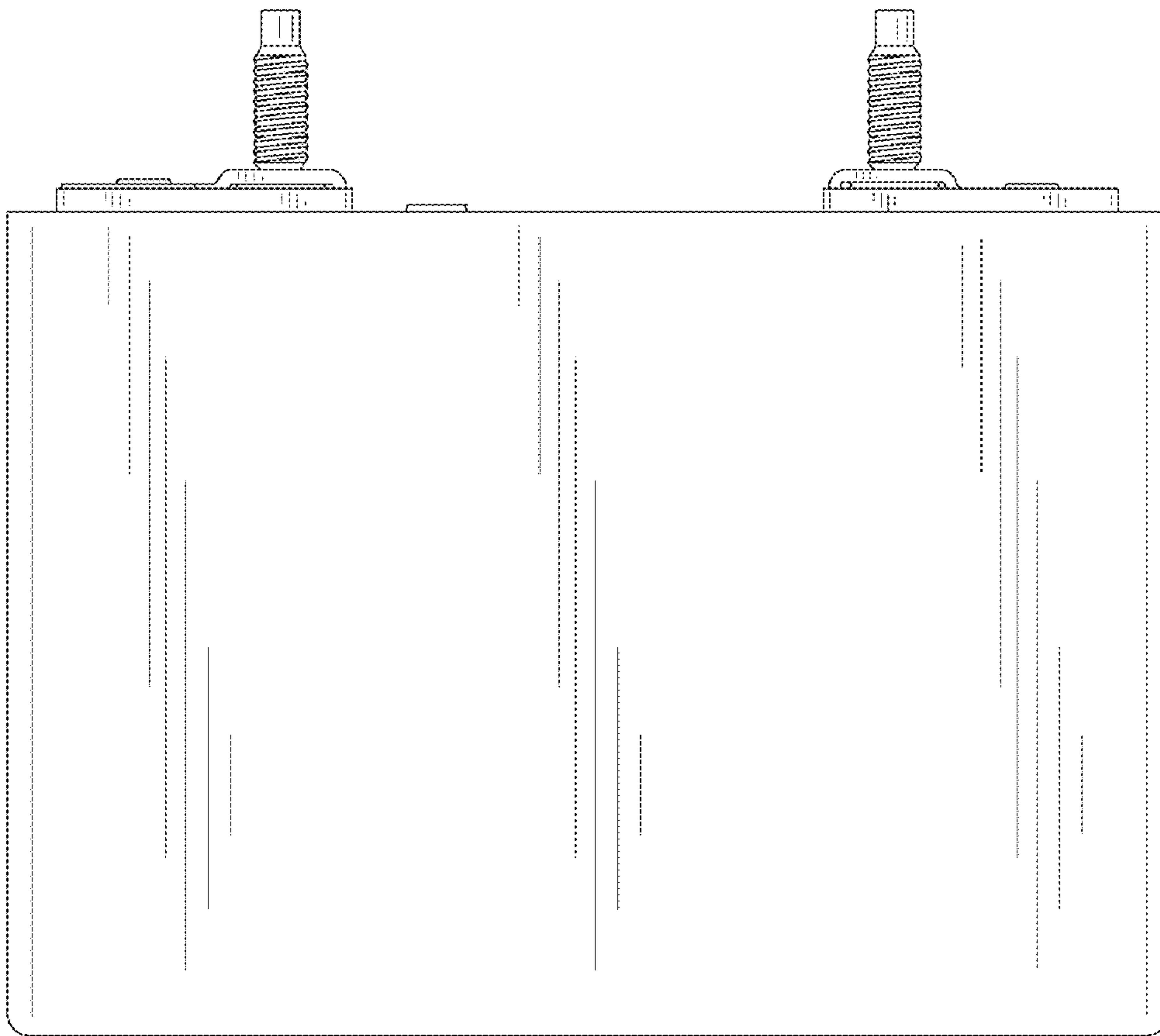


FIG. 3

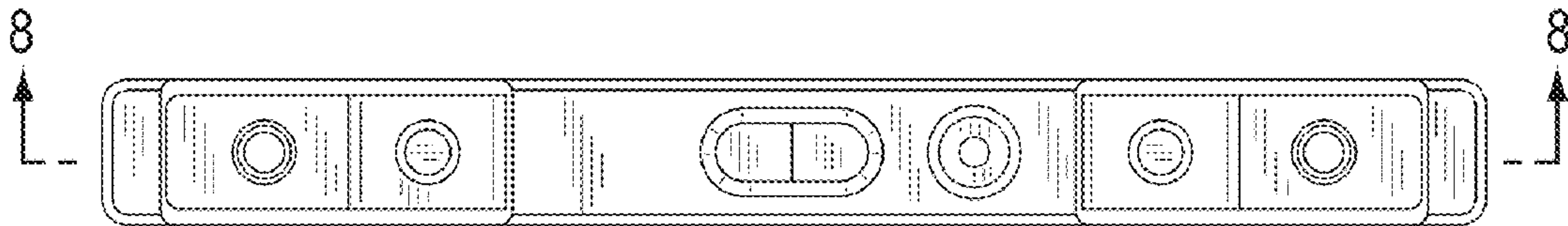


FIG. 4

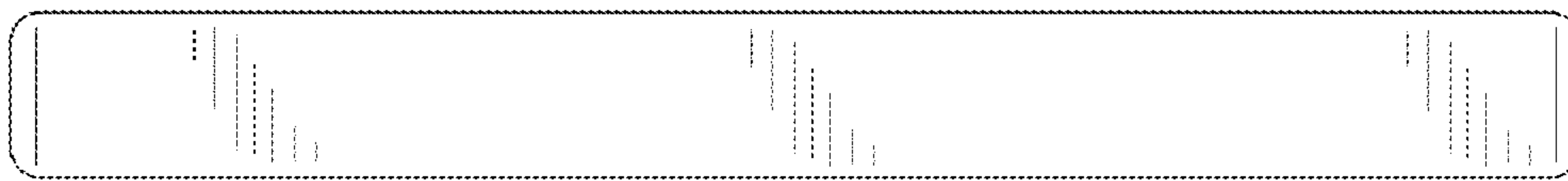


FIG. 5

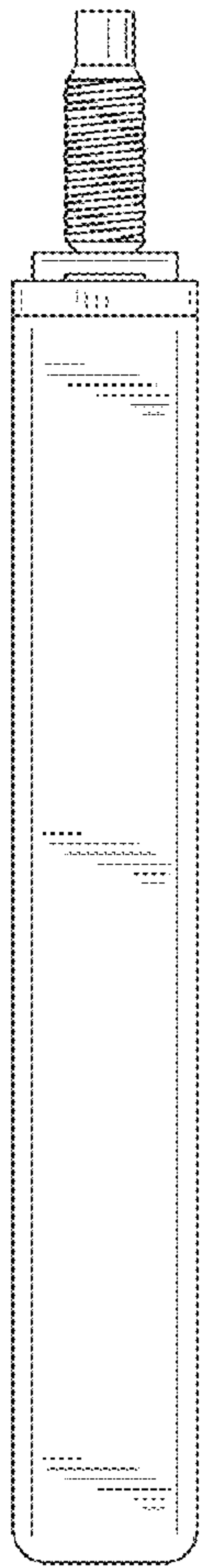


FIG. 6

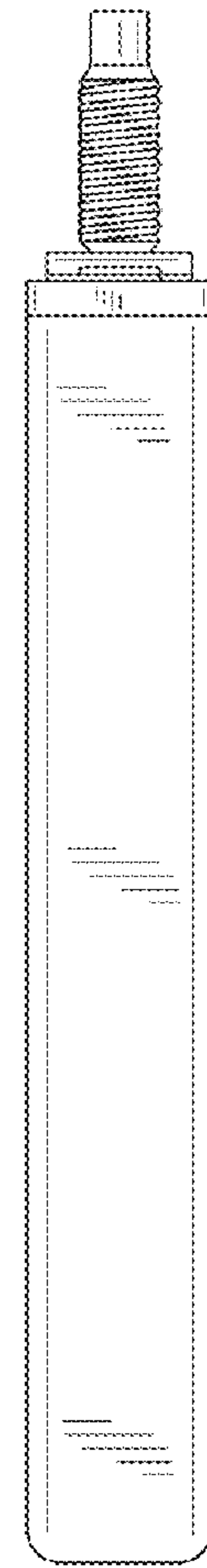


FIG. 7

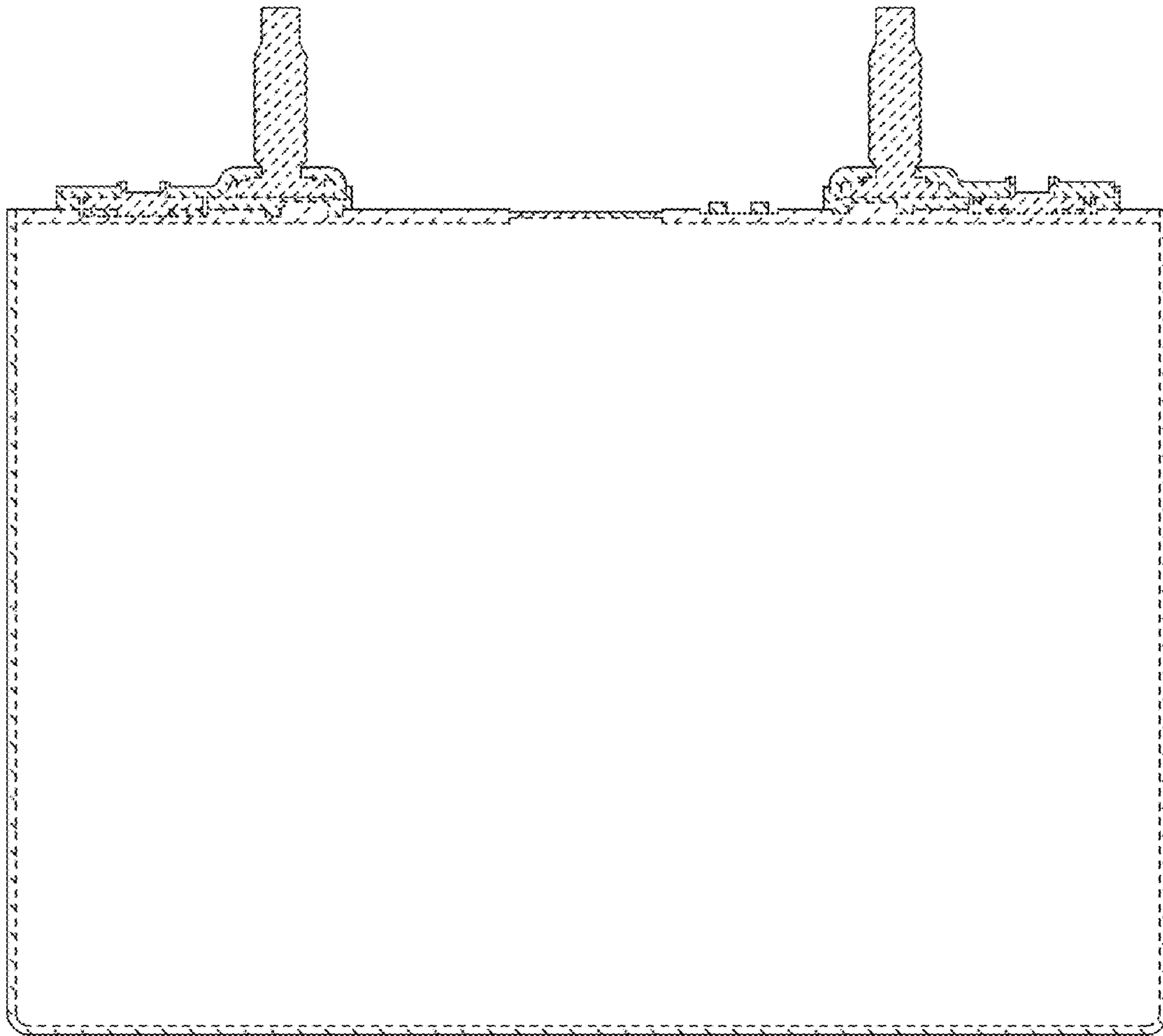


FIG. 8

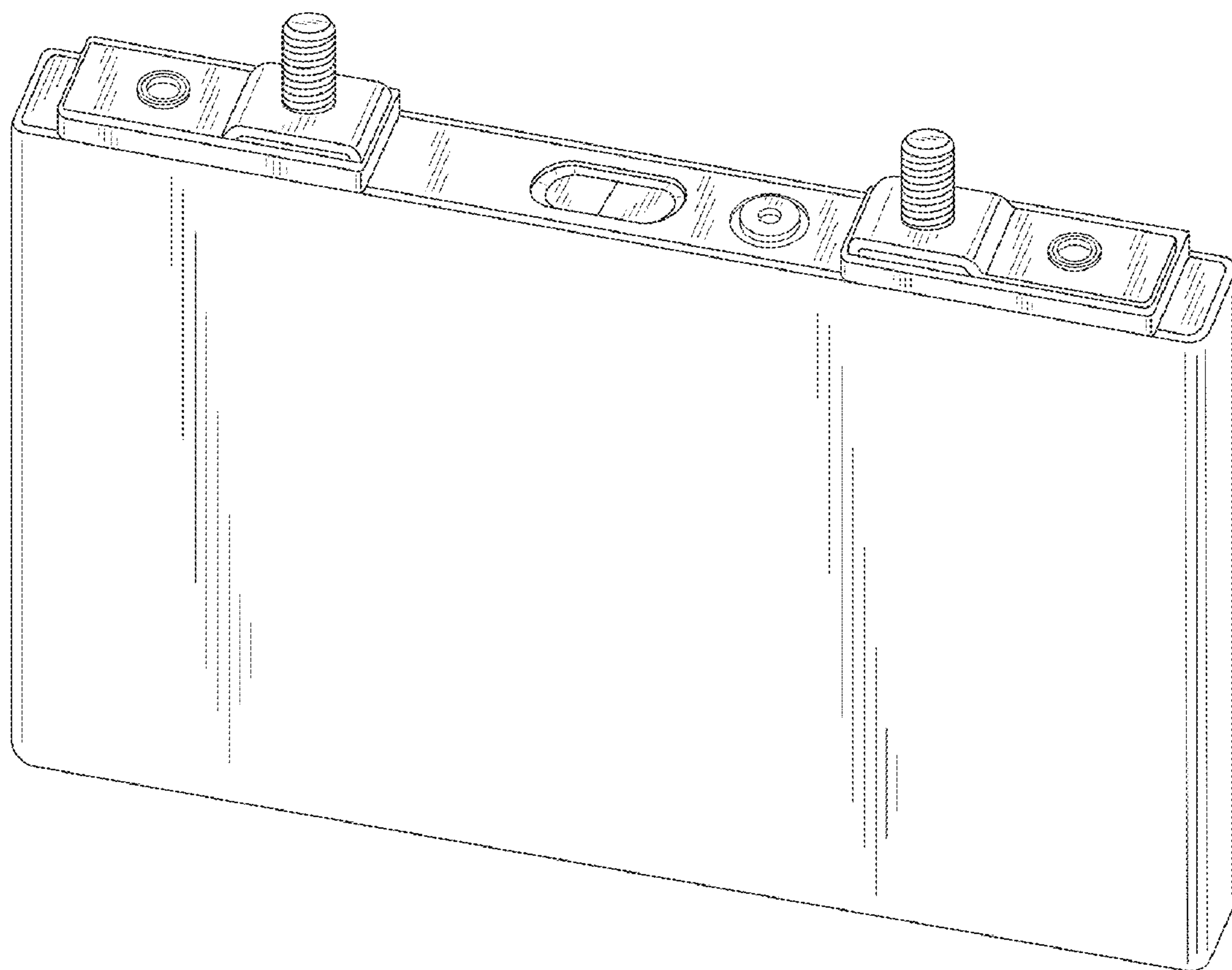


FIG. 9

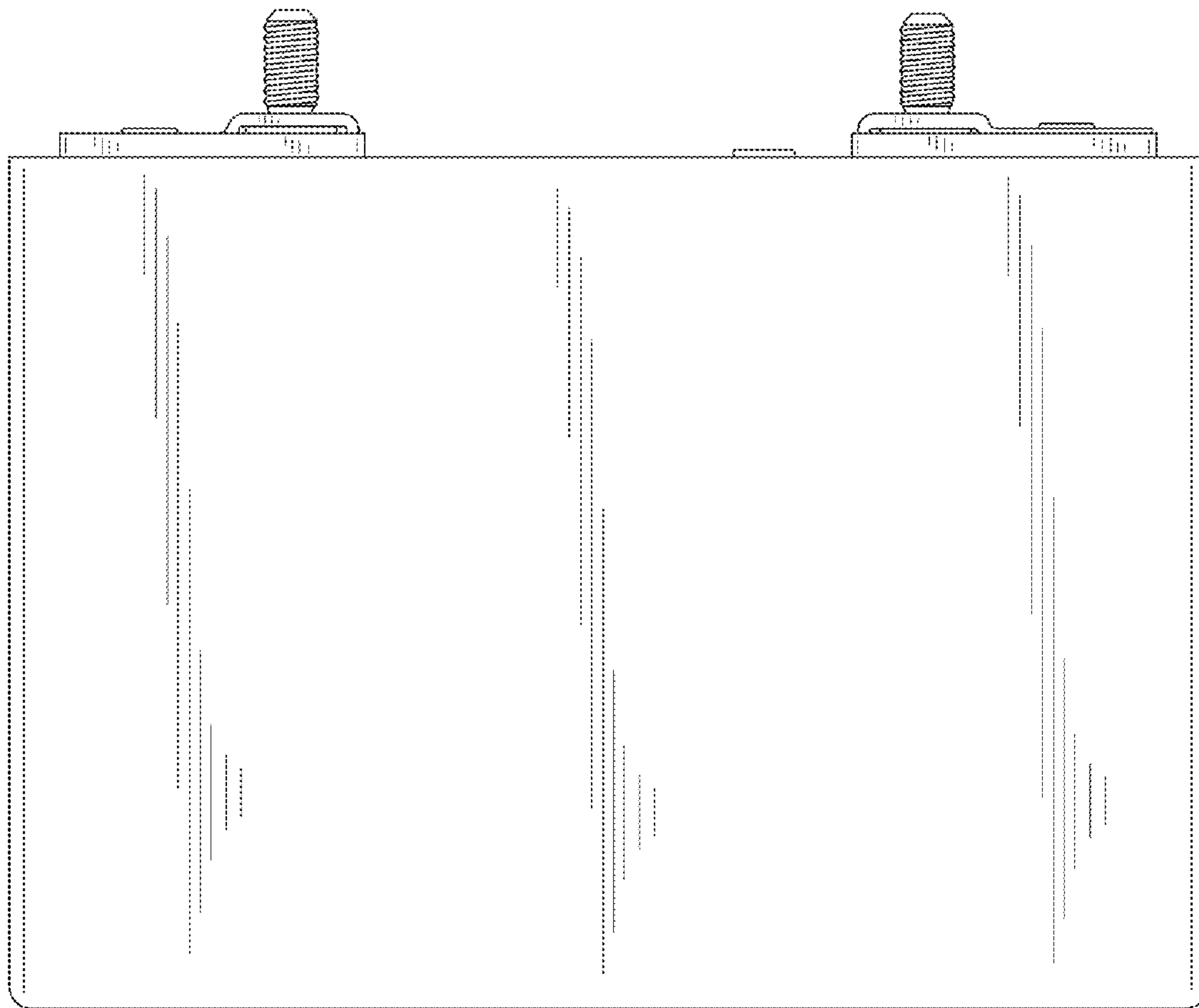


FIG. 10

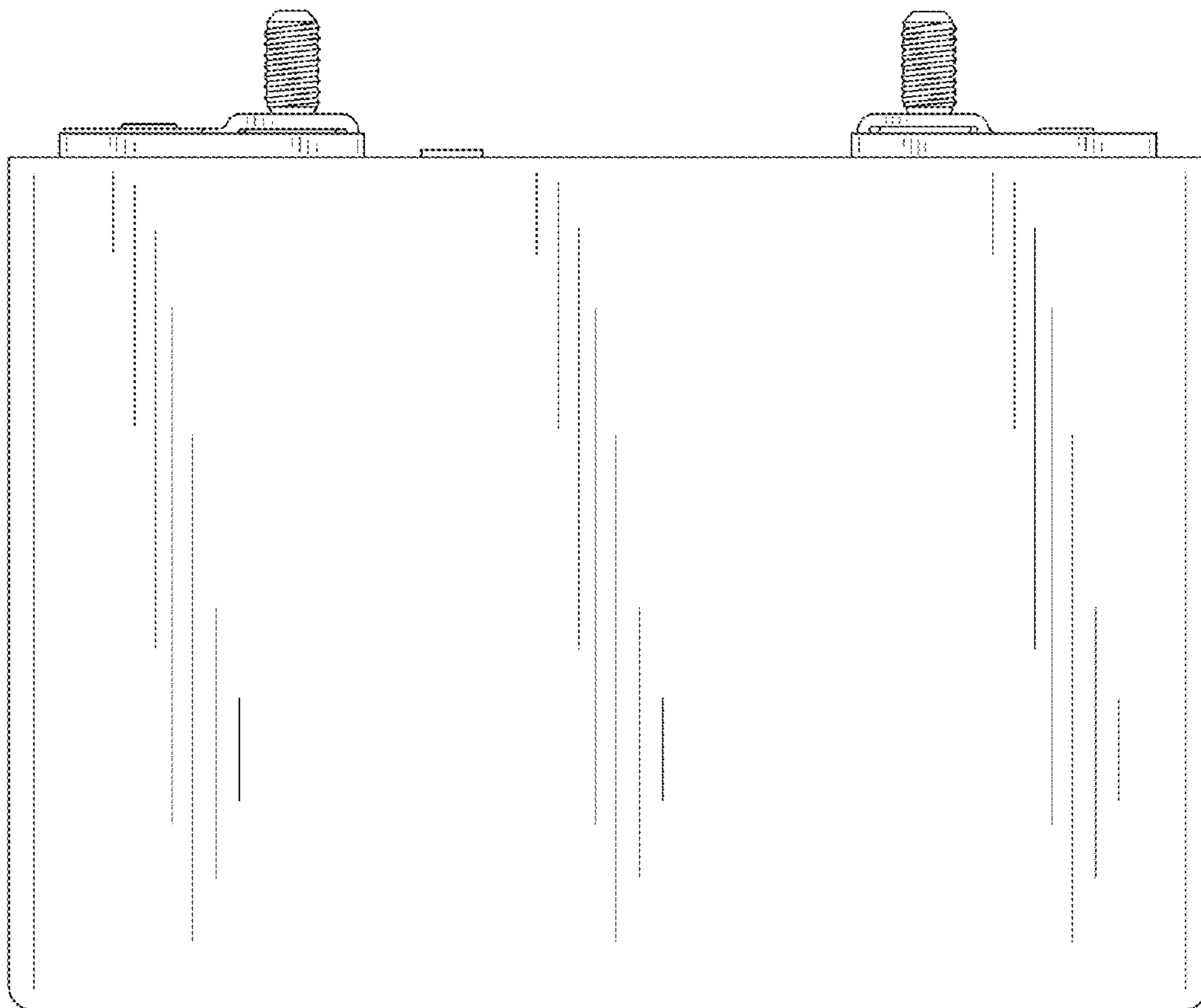


FIG. 11

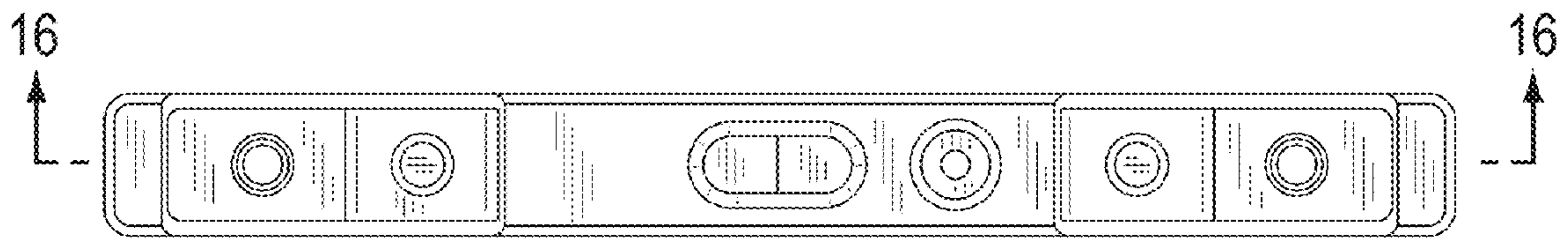


FIG. 12

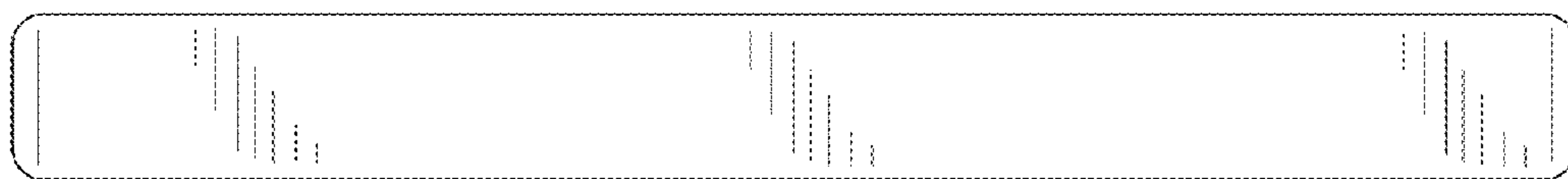


FIG. 13

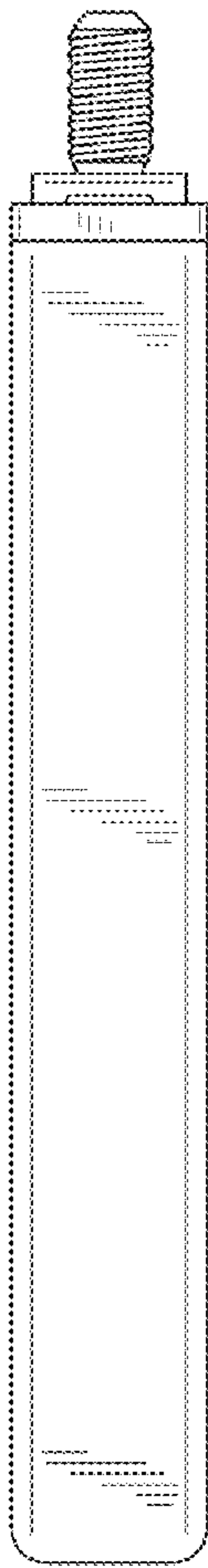


FIG. 14

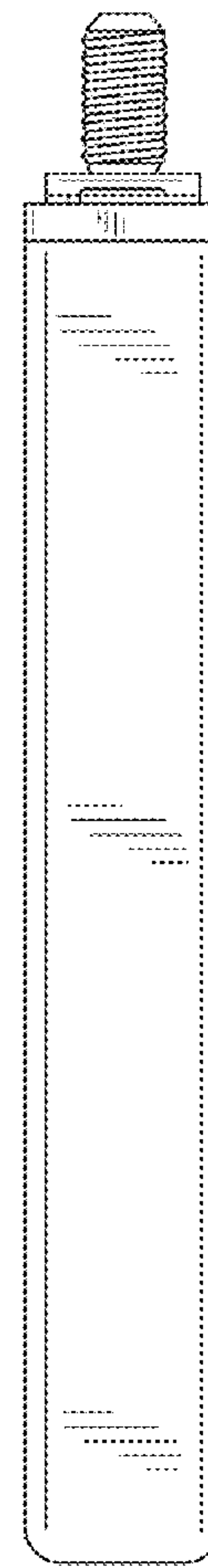


FIG. 15

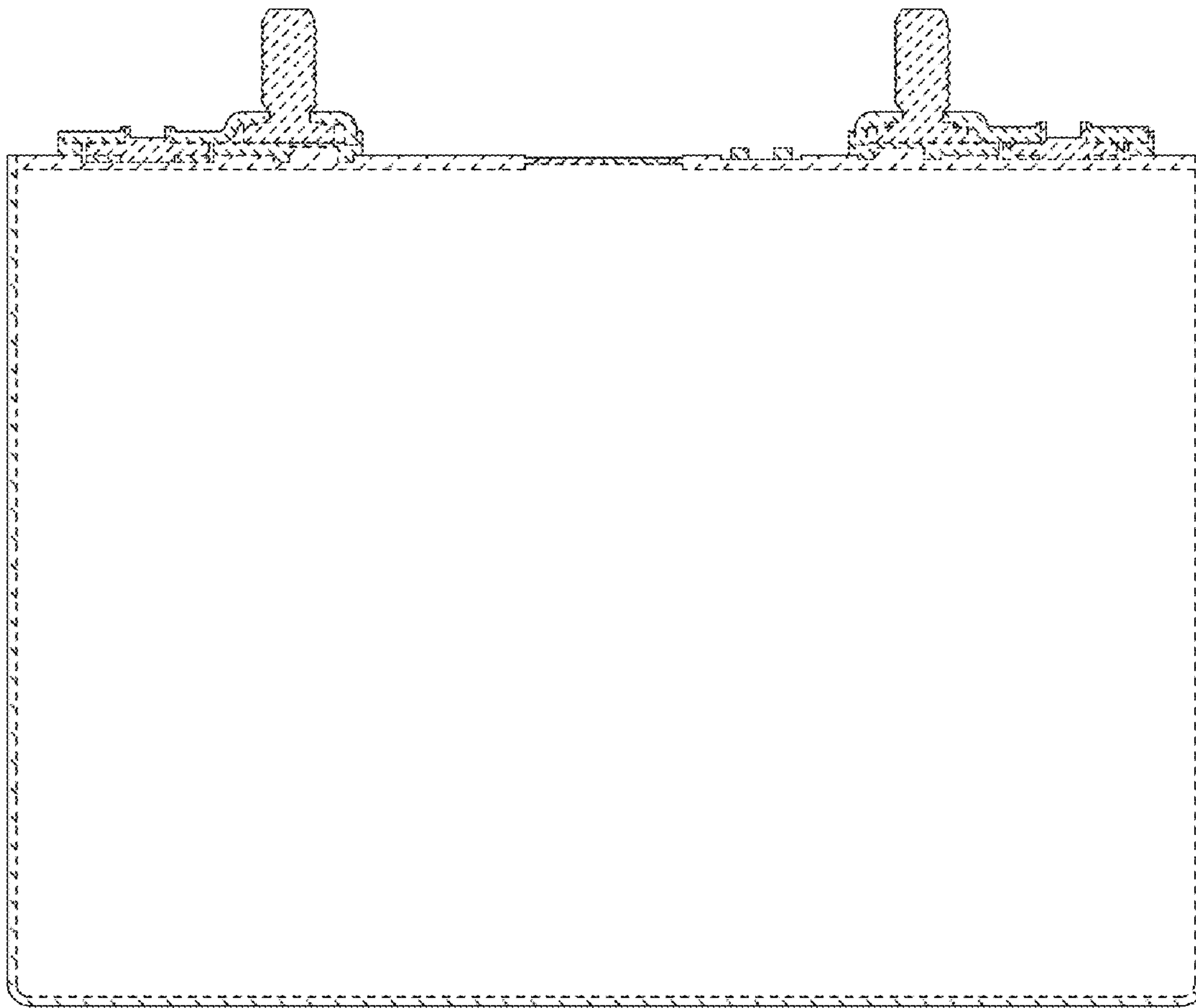


FIG. 16