



US00D678184S

(12) **United States Design Patent**  
**Banko et al.**

(10) **Patent No.:** **US D678,184 S**  
(45) **Date of Patent:** **\*\* Mar. 19, 2013**

(54) **BATTERY**

(75) Inventors: **Joshua D. Banko**, Palo Alto, CA (US);  
**Kevin David Gibbs**, Menlo Park, CA  
(US); **Richard P. Howarth**, San  
Francisco, CA (US); **Stephen McClure**,  
San Francisco, CA (US); **John P.**  
**Ternus**, Redwood City, CA (US)

(73) Assignee: **Apple Inc.**, Cupertino, CA (US)

(\*\*) Term: **14 Years**

(21) Appl. No.: **29/376,055**

(22) Filed: **Sep. 30, 2010**

(51) **LOC (9) Cl.** ..... **13-02**

(52) **U.S. Cl.** ..... **D13/103**

(58) **Field of Classification Search** ..... D13/102-106,  
D13/110, 118-121, 184, 199; 429/96-100,  
429/149, 159, 163, 176, 177.186, 463; D14/300,  
D14/422, 439

See application file for complete search history.

(56) **References Cited**

**U.S. PATENT DOCUMENTS**

D320,649 S *	10/1991	Fleming	.....	D23/386
5,180,644 A	1/1993	Bresin et al.		
D348,247 S *	6/1994	Cooper	.....	D13/110
5,326,651 A	7/1994	Mehta et al.		
D356,992 S	4/1995	Dilgard		
5,436,089 A	7/1995	Fedeles		
D374,424 S *	10/1996	Nagele et al.	.....	D13/103
5,601,942 A	2/1997	Fedeles		

D409,973 S	5/1999	Iwamoto et al.		
D422,263 S *	4/2000	Waldner	.....	D13/103
D479,193 S *	9/2003	Fujihara et al.	.....	D13/103
D485,530 S *	1/2004	Ogasawara	.....	D13/103
6,884,540 B2	4/2005	Chikada		
D519,919 S *	5/2006	Yokota	.....	D13/103
7,595,129 B2	9/2009	Kato		
D614,124 S *	4/2010	Mistyurik	.....	D13/103
D635,506 S *	4/2011	Morisawa	.....	D13/103
D642,515 S *	8/2011	Crawford et al.	.....	D13/102
2002/0094475 A1	7/2002	Aoyama		

**OTHER PUBLICATIONS**

U.S. Appl. No. 29/377,145, Andre et al., "Electronic Device", filed Oct. 18, 2010.

\* cited by examiner

*Primary Examiner* — Rosemary K Tarcza

(74) *Attorney, Agent, or Firm* — Sterne, Kessler, Goldstein & Fox PLLC

(57) **CLAIM**

The ornamental design for a battery, as shown and described.

**DESCRIPTION**

FIG. 1 is a front perspective view of a battery showing our new design;

FIG. 2 is a rear view thereof;

FIG. 3 is a front view thereof;

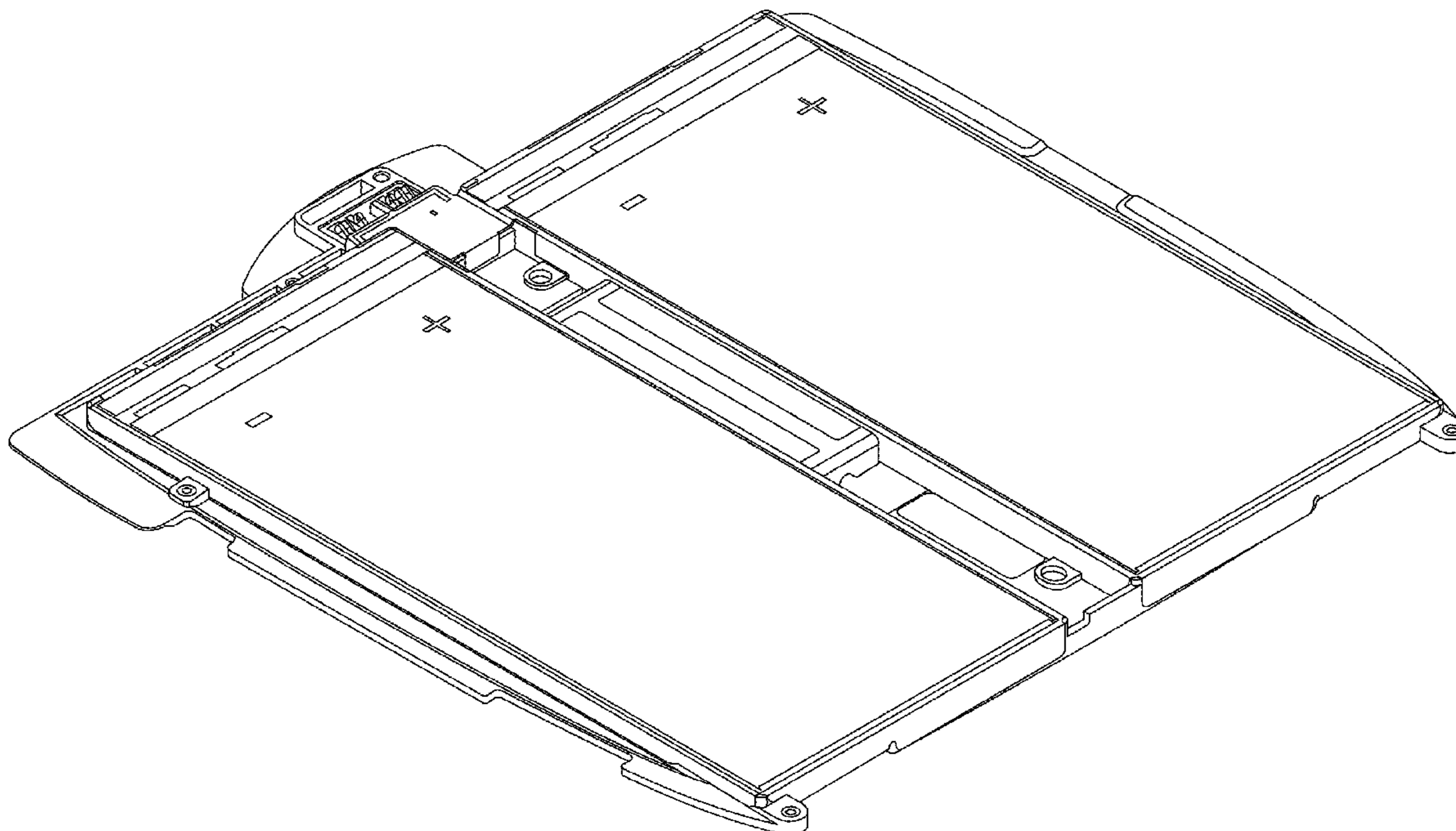
FIG. 4 is a top view thereof;

FIG. 5 is a bottom view thereof;

FIG. 6 is a left side view thereof; and,

FIG. 7 is a right side view thereof.

**1 Claim, 5 Drawing Sheets**



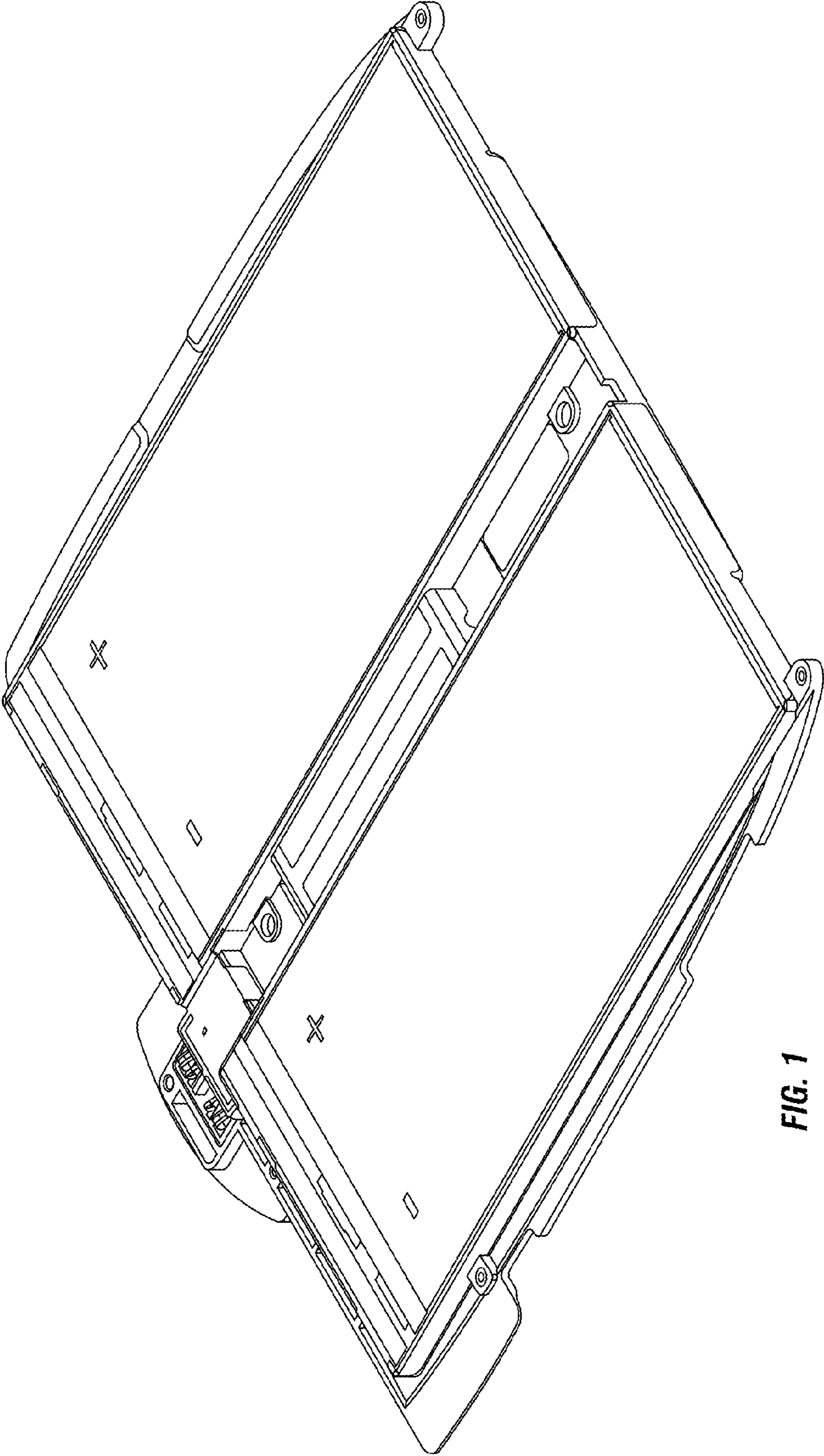


FIG. 1

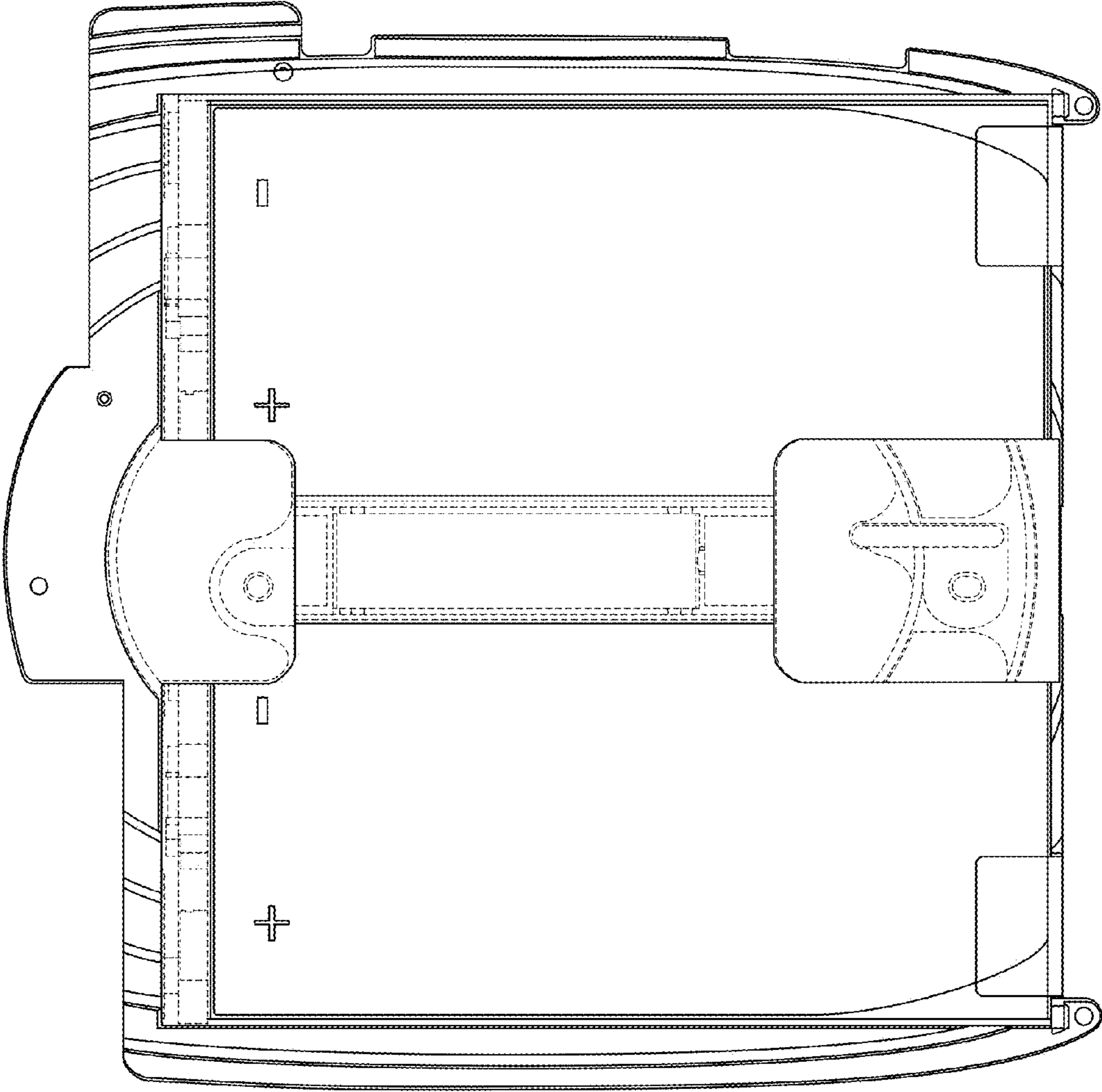


FIG. 2

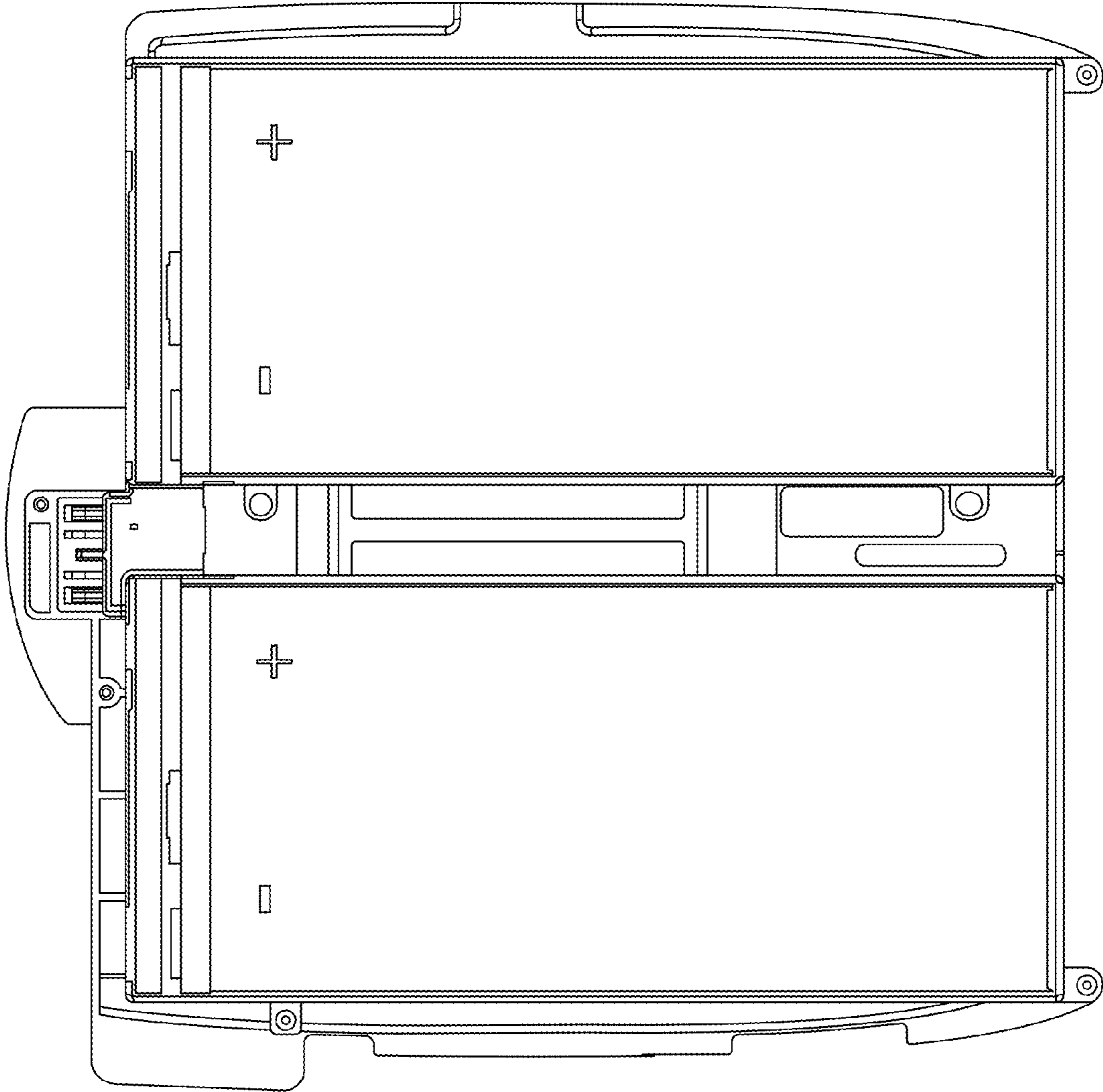
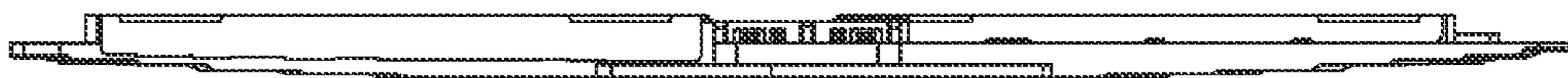


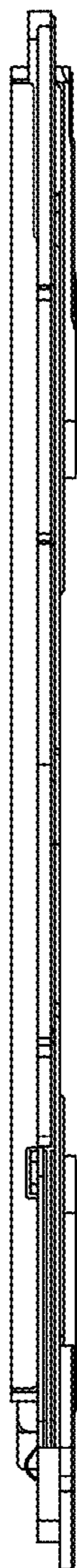
FIG. 3



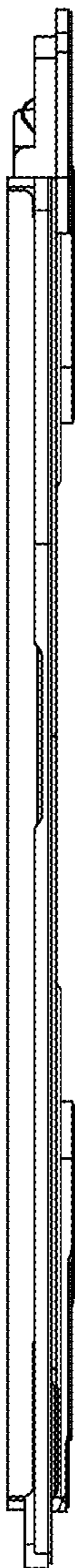
*FIG. 4*



*FIG. 5*



**FIG. 6**



**FIG. 7**