



US00D678182S

(12) **United States Design Patent**
Ochi

(10) **Patent No.:** **US D678,182 S**
(45) **Date of Patent:** **** Mar. 19, 2013**

(54) **TREAD PORTION OF AN AUTOMOBILE TIRE**

(75) Inventor: **Naoya Ochi**, Tokyo (JP)

(73) Assignee: **Bridgestone Corporation**, Tokyo (JP)

(**) Term: **14 Years**

(21) Appl. No.: **29/394,997**

(22) Filed: **Jun. 23, 2011**

(30) **Foreign Application Priority Data**

Dec. 24, 2010 (JP) 2010-030851

(51) **LOC (9) Cl.** **12-15**

(52) **U.S. Cl.** **D12/572**

(58) **Field of Classification Search** D12/505-532;
152/209.1, 209.8, 209.9, 209.12, 209.18,
152/209.25

See application file for complete search history.

(56) **References Cited**

U.S. PATENT DOCUMENTS

D584,216 S * 1/2009 Patterson D12/545
D620,429 S * 7/2010 Yamaguchi D12/594
2007/0137749 A1 * 6/2007 Mathews 152/209.15
2011/0232815 A1 * 9/2011 Nakamizo et al. 152/209.18

* cited by examiner

Primary Examiner — George D Kirschbaum

(74) *Attorney, Agent, or Firm* — Sughrue Mion, PLLC

(57) **CLAIM**

The ornamental design for a tread portion of an automobile tire, as shown and described.

DESCRIPTION

FIG. 1 is a perspective view of a tread portion of an automobile tire;

FIG. 2 is a front view thereof;

FIG. 3 is a plane view thereof;

FIG. 4 is a left side view thereof;

FIG. 5 is a right side view thereof;

FIG. 6 is a fragmentary enlarged view showing the details thereof; and,

FIG. 7 is an end view taken along line A-A in FIG. 6.

The broken line showing of the tire is for the purpose of illustrating environmental structure and forms no part of the claimed design.

1 Claim, 7 Drawing Sheets

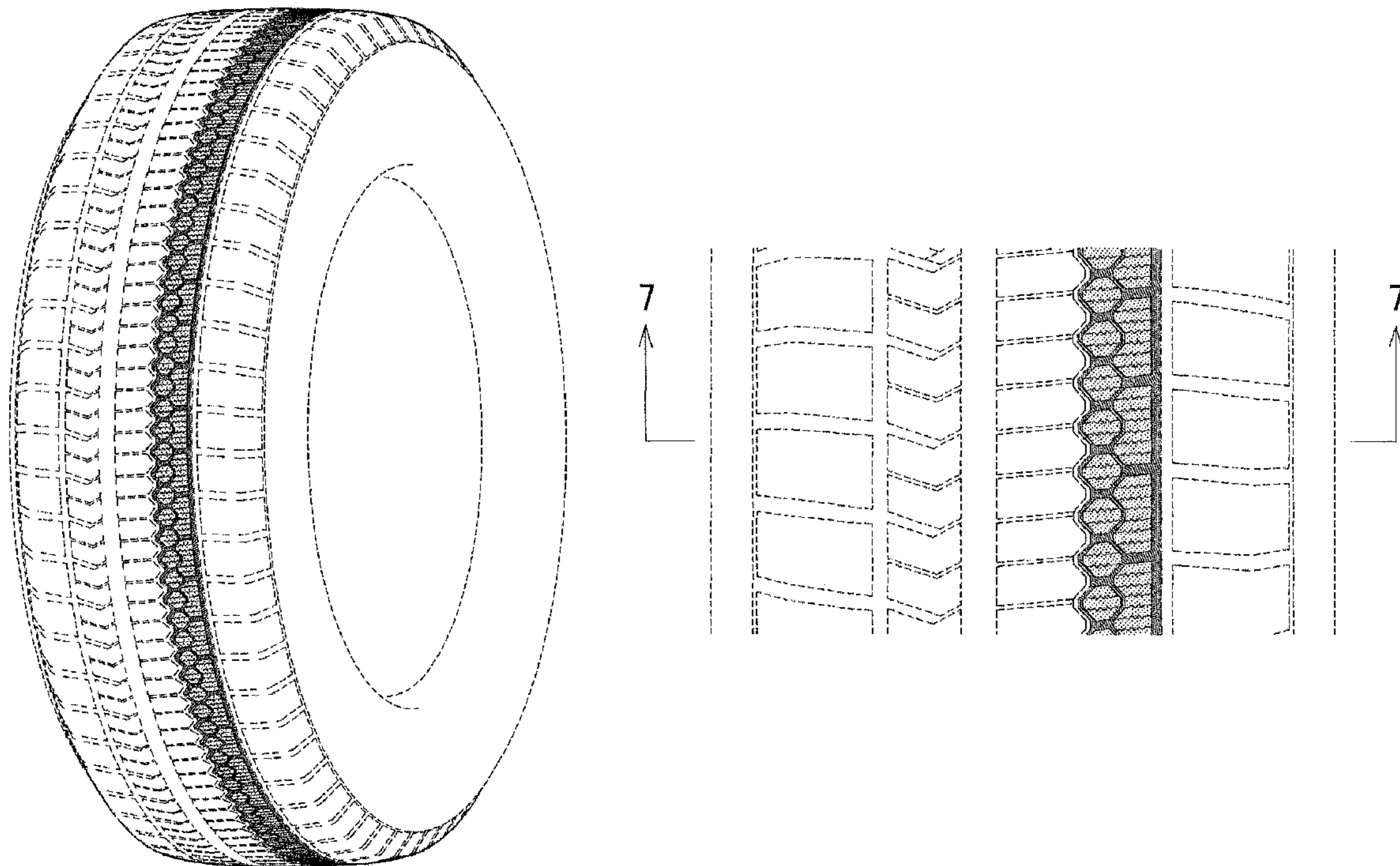


FIG. 1

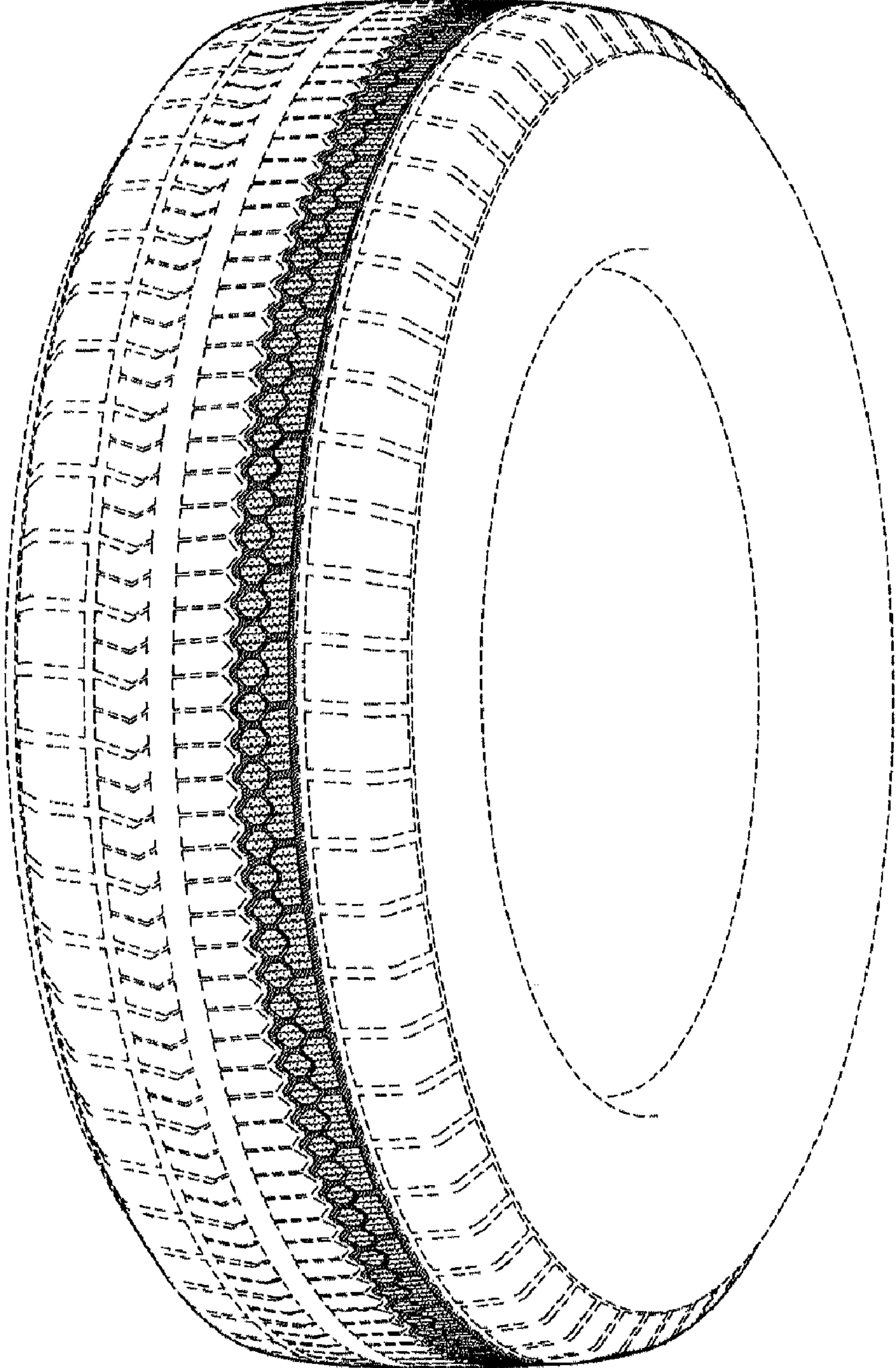


FIG. 2

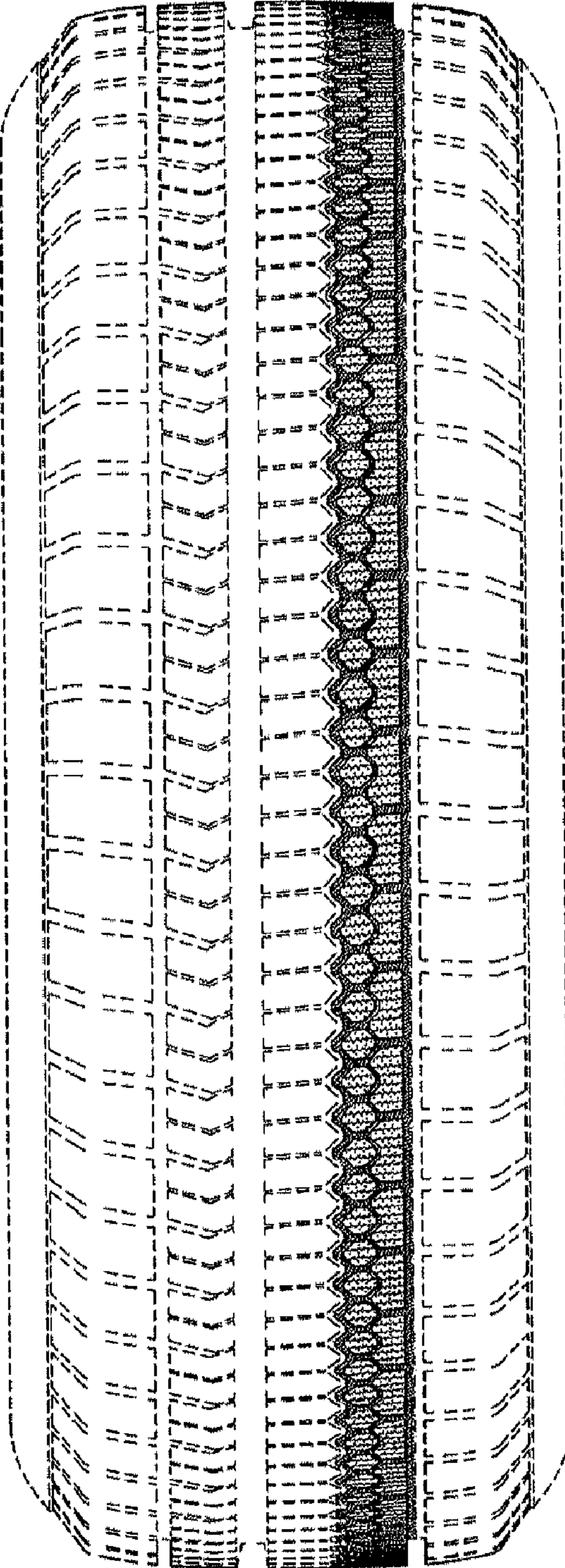


FIG. 3

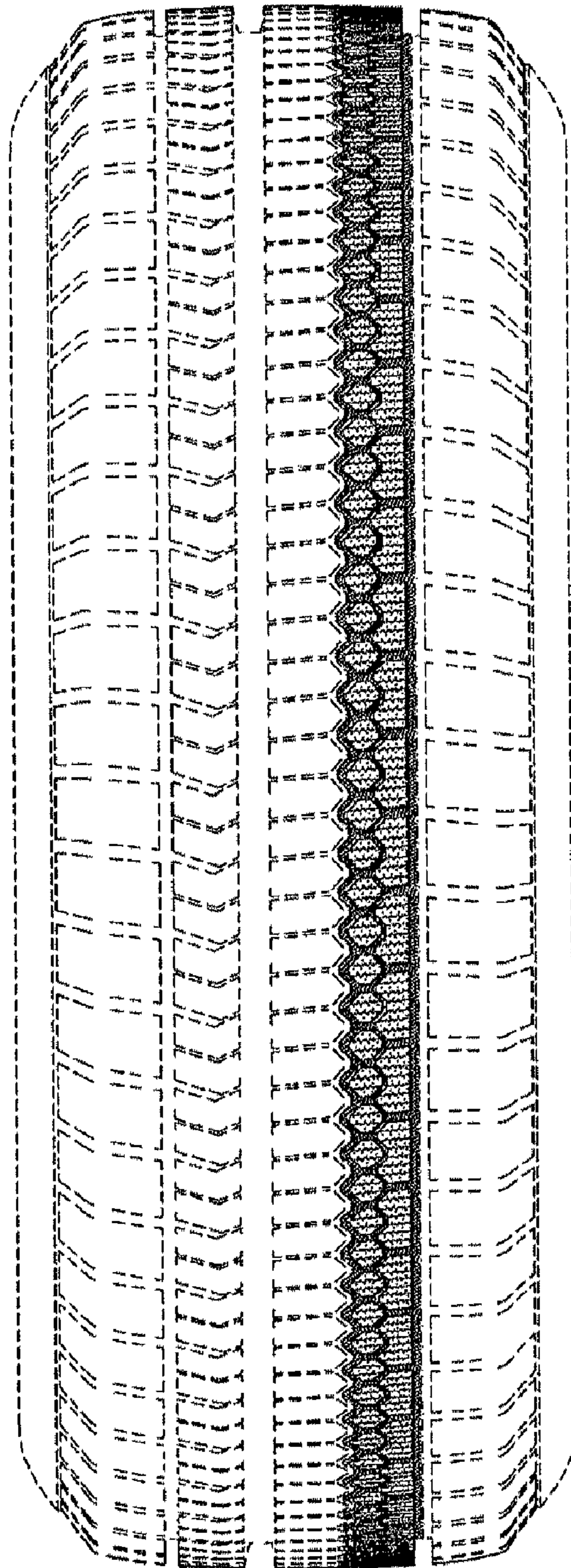


FIG. 4

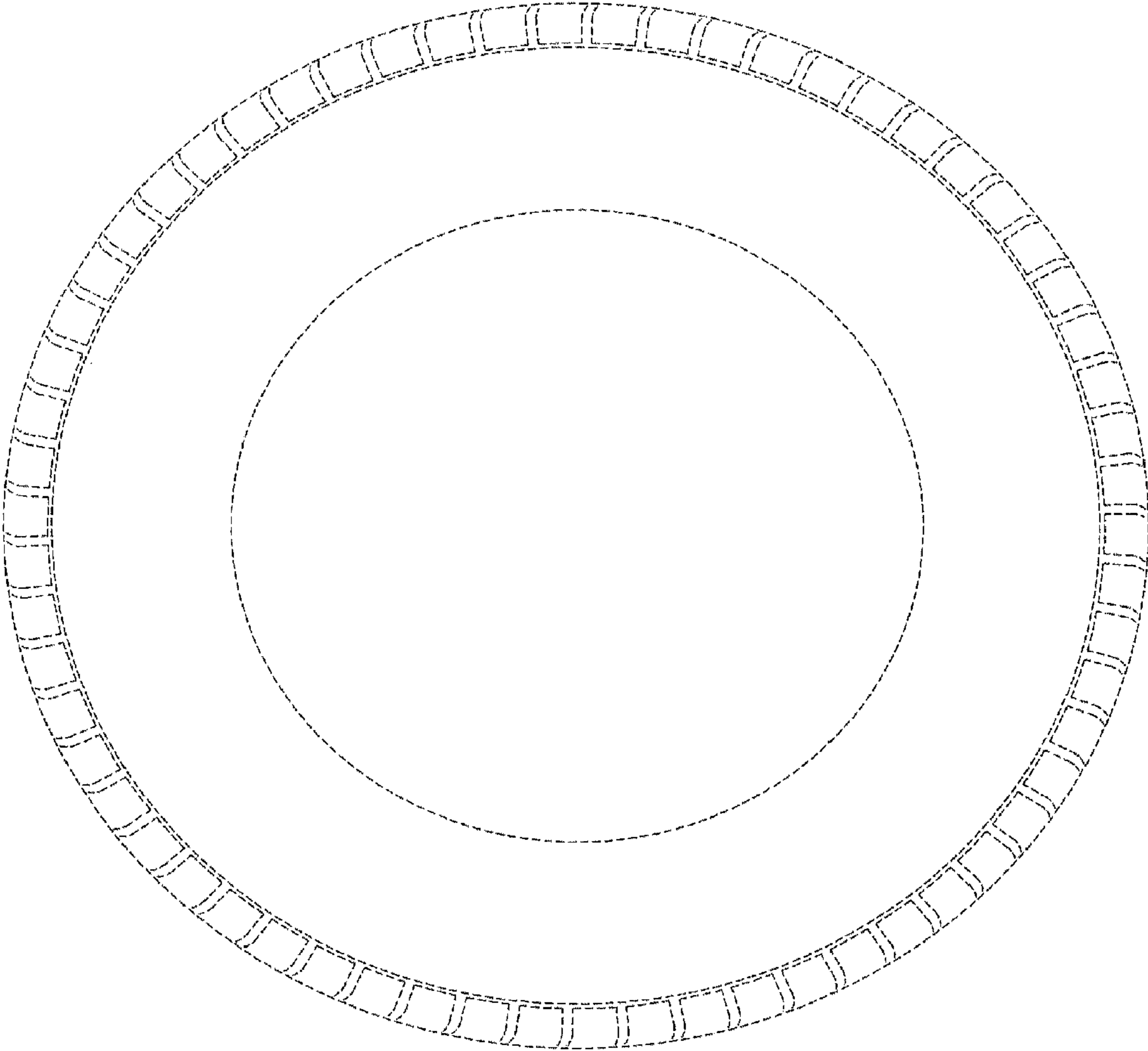


FIG. 5

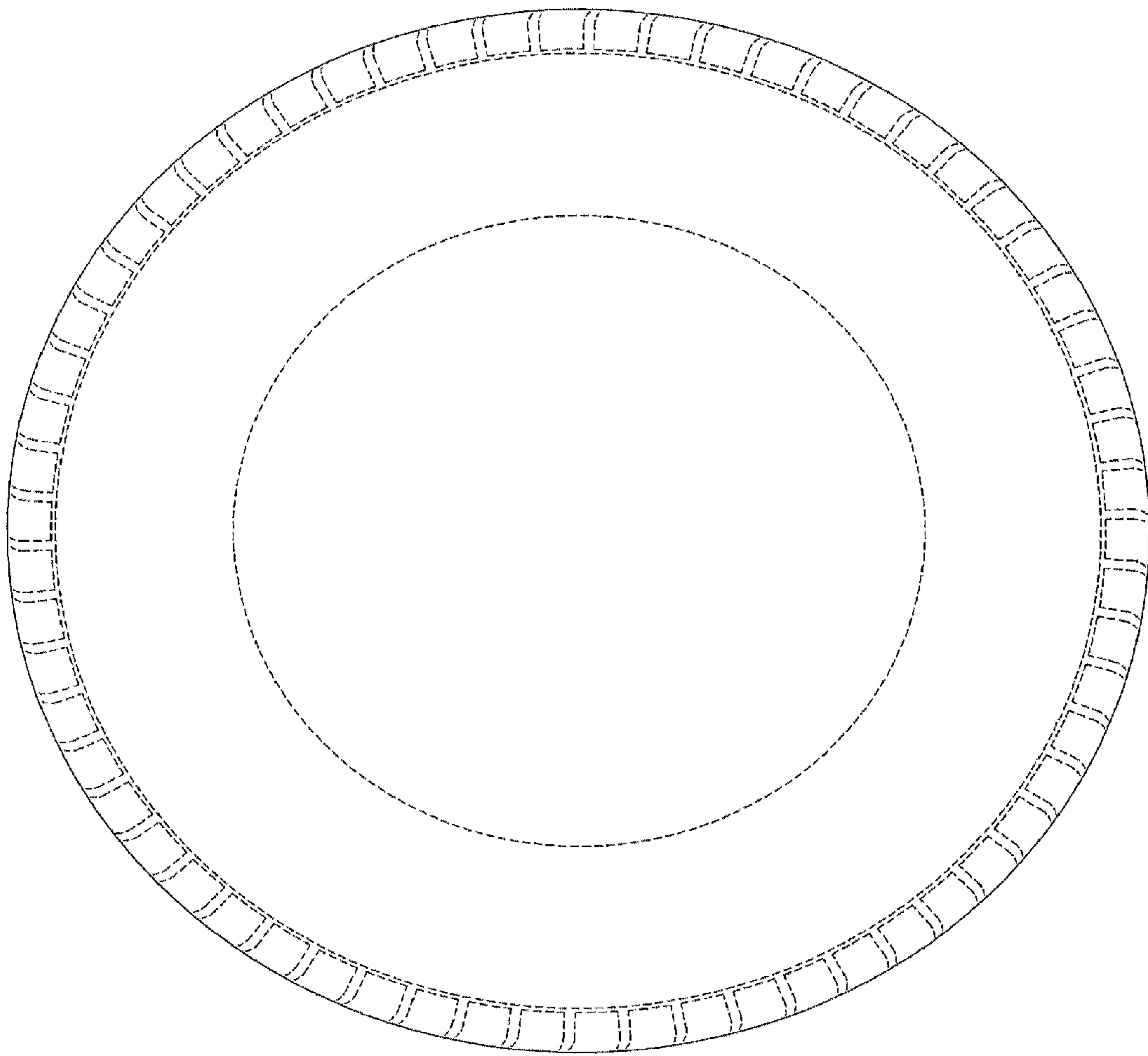


FIG. 6

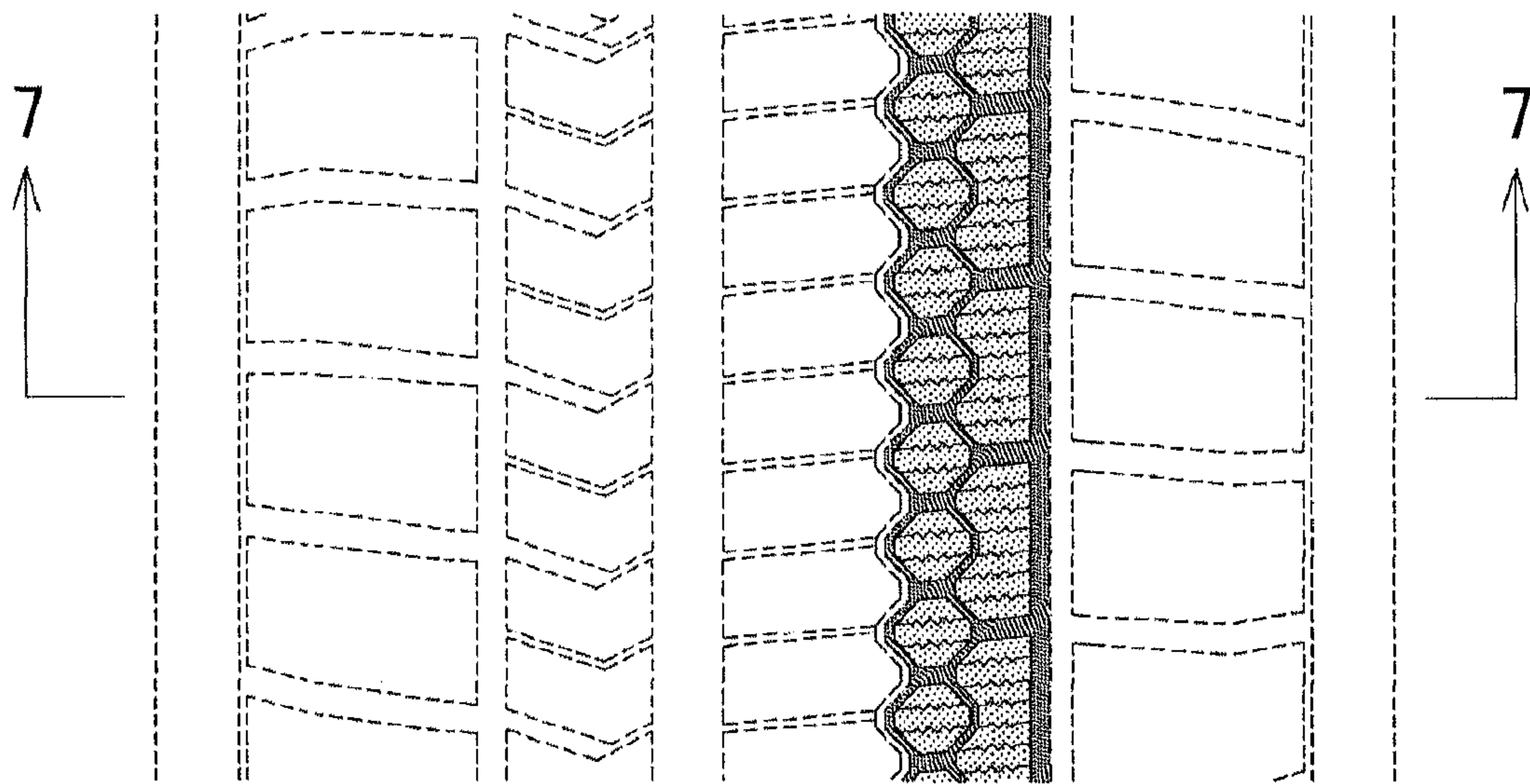


FIG. 7

