



US00D678178S

(12) **United States Design Patent**  
**Larregain**

(10) **Patent No.:** **US D678,178 S**  
(45) **Date of Patent:** **\*\* Mar. 19, 2013**

(54) **PNEUMATIC TIRE**

(75) Inventor: **Arnaud Larregain**, Thiers (FR)

(73) Assignees: **Compagnie Generale des Etablissements Michelin**, Clermont-Ferrand (FR); **Michelin Recherche et Technique S.A.**, Granges-Paccot (CH)

(\*\*) Term: **14 Years**

(21) Appl. No.: **29/429,222**

(22) Filed: **Aug. 8, 2012**

(30) **Foreign Application Priority Data**

Feb. 8, 2012 (FR) ..... 12 0639

(51) **LOC (9) Cl.** ..... **12-15**

(52) **U.S. Cl.** ..... **D12/535**

(58) **Field of Classification Search** ..... D12/533-537, D12/569-572, 900-901, 547-550; 152/209.1, 152/209.8-209.25, 209.28, 455  
See application file for complete search history.

(56) **References Cited**

**U.S. PATENT DOCUMENTS**

D346,351 S \* 4/1994 Suzuki ..... D12/535  
D420,312 S \* 2/2000 Hara ..... D12/535

D502,681 S \* 3/2005 Miyasaka ..... D12/535  
D522,960 S \* 6/2006 Matsunami et al. .... D12/535  
D542,215 S \* 5/2007 Jackson et al. .... D12/535  
D554,044 S \* 10/2007 Shibamoto ..... D12/535  
D601,943 S \* 10/2009 Shibamoto ..... D12/535  
D635,504 S \* 4/2011 Nakamura ..... D12/535  
D639,232 S \* 6/2011 Sugimoto et al. .... D12/535

\* cited by examiner

*Primary Examiner* — Stacia Cadmus

(74) *Attorney, Agent, or Firm* — Buchanan Ingersoll & Rooney PC

(57) **CLAIM**

The ornamental design for a pneumatic tire, as shown and described.

**DESCRIPTION**

FIG. 1 is a perspective view of a pneumatic tire showing my new design.

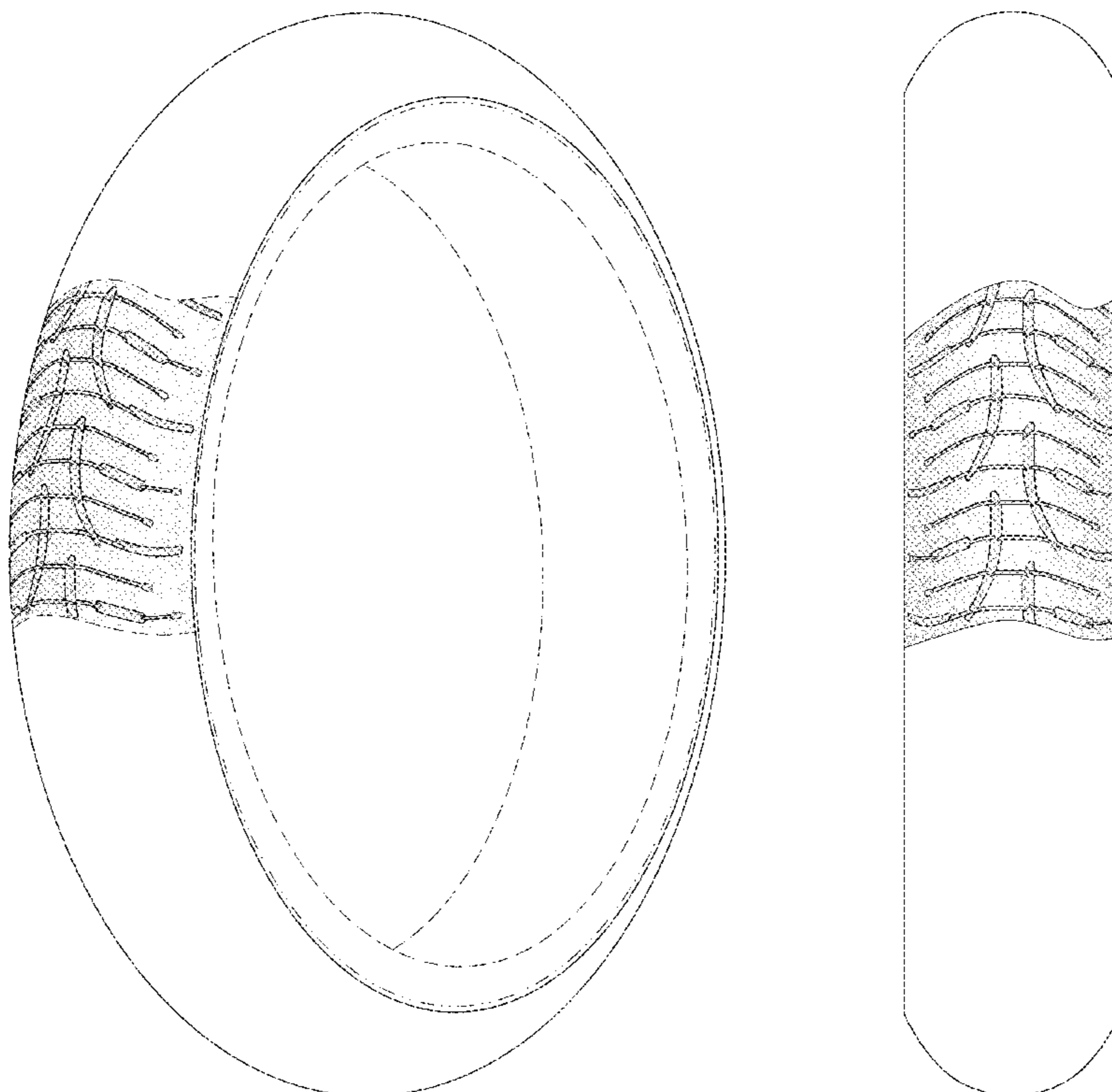
FIG. 2 is a front elevational view thereof; and,

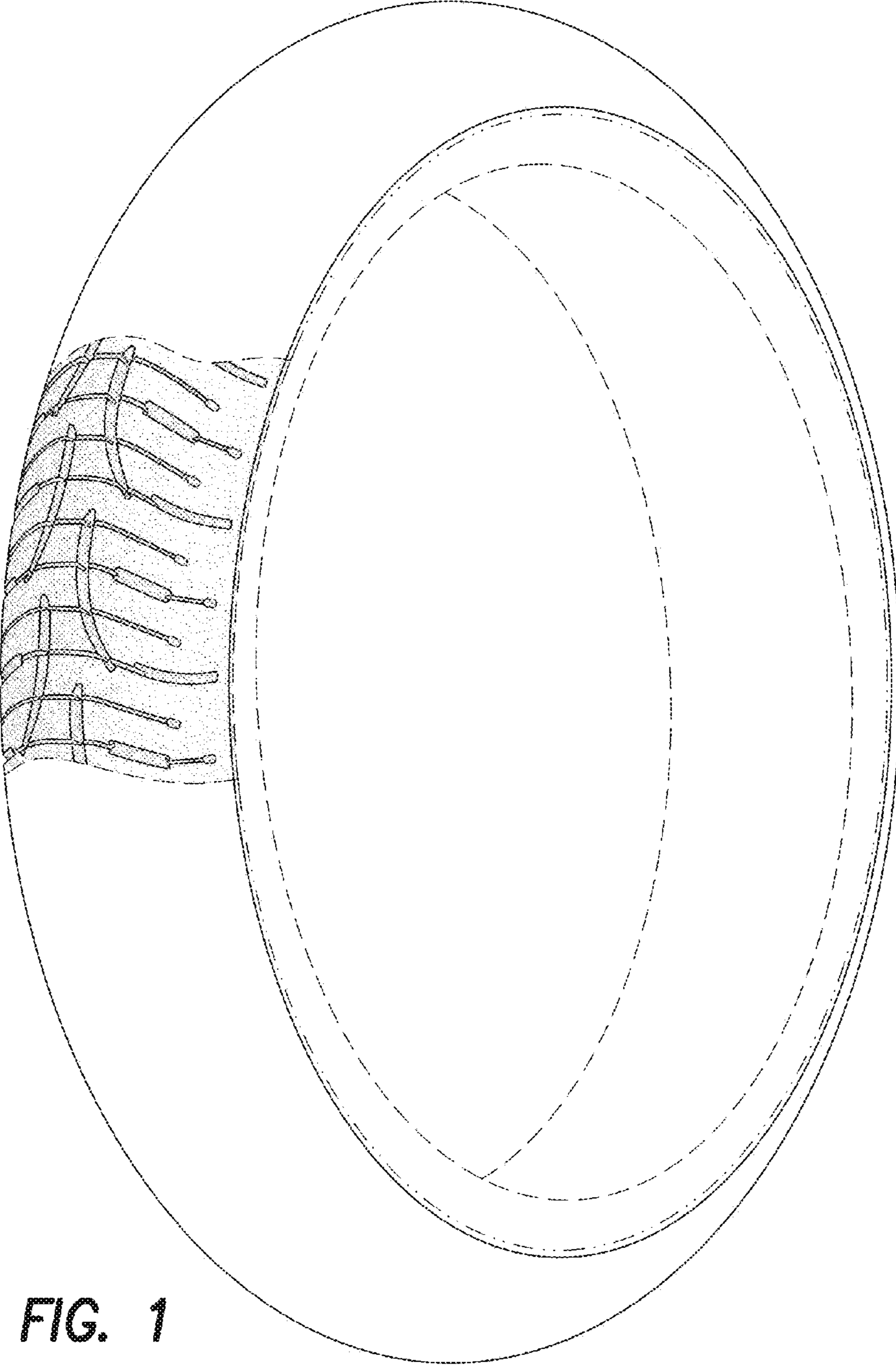
FIG. 3 is a side elevational view thereof, the other side being a mirror image.

In the drawings, the broken lines defining the sidewall, inner bead and the unclaimed sidewall depict environmental subject matter that forms no part of the claimed design. The dash-dot lines represent the peripheral boundary between the claimed tire tread and unclaimed sidewall.

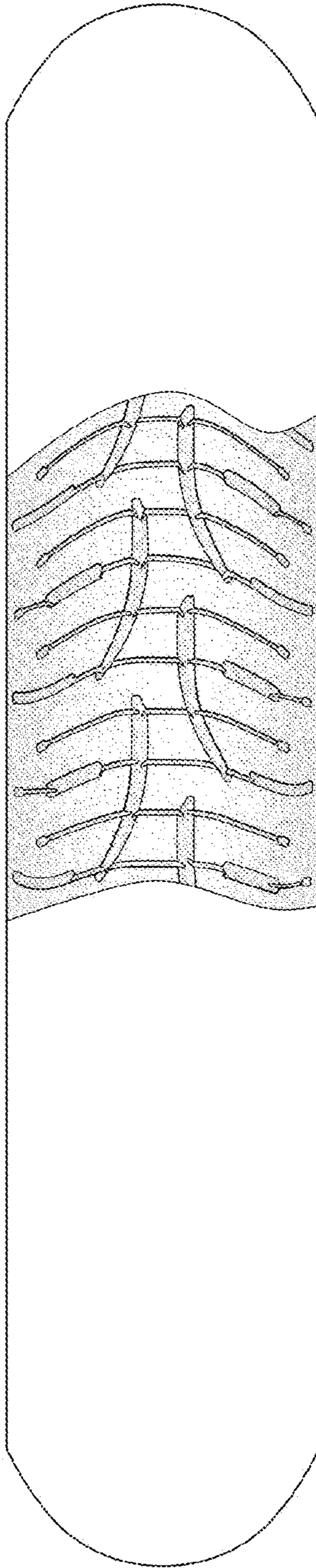
The tread pattern is understood to repeat uniformly throughout the circumference of the tire.

**1 Claim, 3 Drawing Sheets**





**FIG. 1**



**FIG. 2**

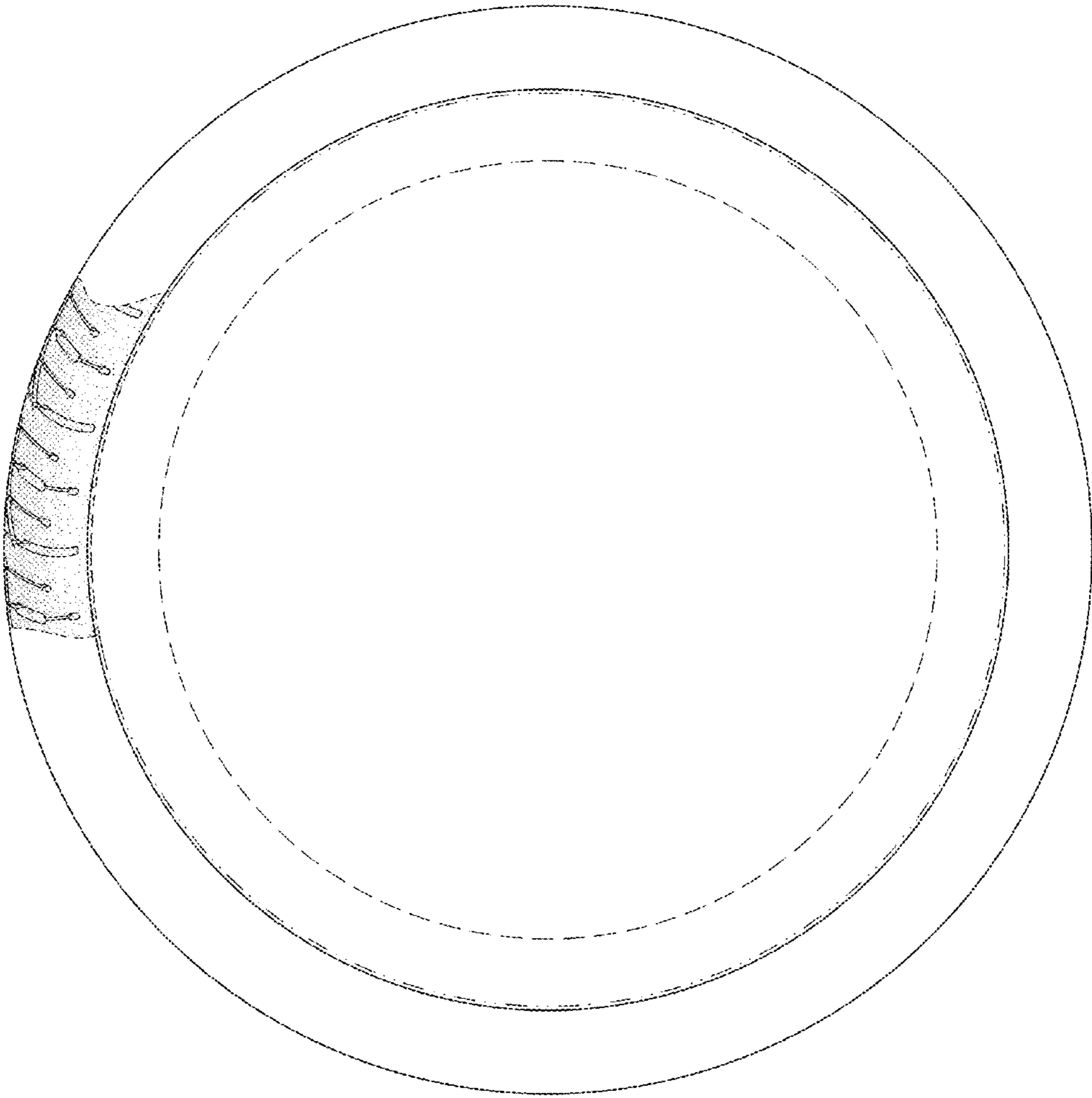


FIG. 3