



US00D678176S

(12) **United States Design Patent**
Park et al.

(10) **Patent No.:** **US D678,176 S**
(45) **Date of Patent:** **** Mar. 19, 2013**

(54) **TIRE FOR AUTOMOBILE**

(75) Inventors: **Jong Soo Park**, Busan-si (KR); **Seung Il Choi**, Yangsan-si (KR)

(73) Assignee: **Nexen Tire Corporation**, Yangsan-si, Gyeongsangnam-do (KR)

(**) Term: **14 Years**

(21) Appl. No.: **29/398,594**

(22) Filed: **Aug. 2, 2011**

(51) **LOC (9) Cl.** **12-15**

(52) **U.S. Cl.** **D12/531**

(58) **Field of Classification Search** D12/505-532;
152/209.1, 209.8, 209.9, 209.12, 209.18,
152/209.25

See application file for complete search history.

(56) **References Cited**

U.S. PATENT DOCUMENTS

D403,628 S * 1/1999 Muhlhoff et al. D12/532

* cited by examiner

Primary Examiner — George D Kirschbaum

(74) *Attorney, Agent, or Firm* — Duane Morris LLP; J. Rodman Steele, Jr.; Gregory M. Lefkowitz

(57) **CLAIM**

The ornamental design for a tire for automobile, as shown and described.

DESCRIPTION

FIG. 1 is a perspective view of a tire for automobile in accordance with the new design;

FIG. 2 is a front elevational view thereof;

FIG. 3 is a rear elevational view thereof;

FIG. 4 is an enlarged fragmentary front view thereof;

FIG. 5 is a left side elevational view thereof; and,

FIG. 6 is a right side elevational view thereof.

1 Claim, 6 Drawing Sheets

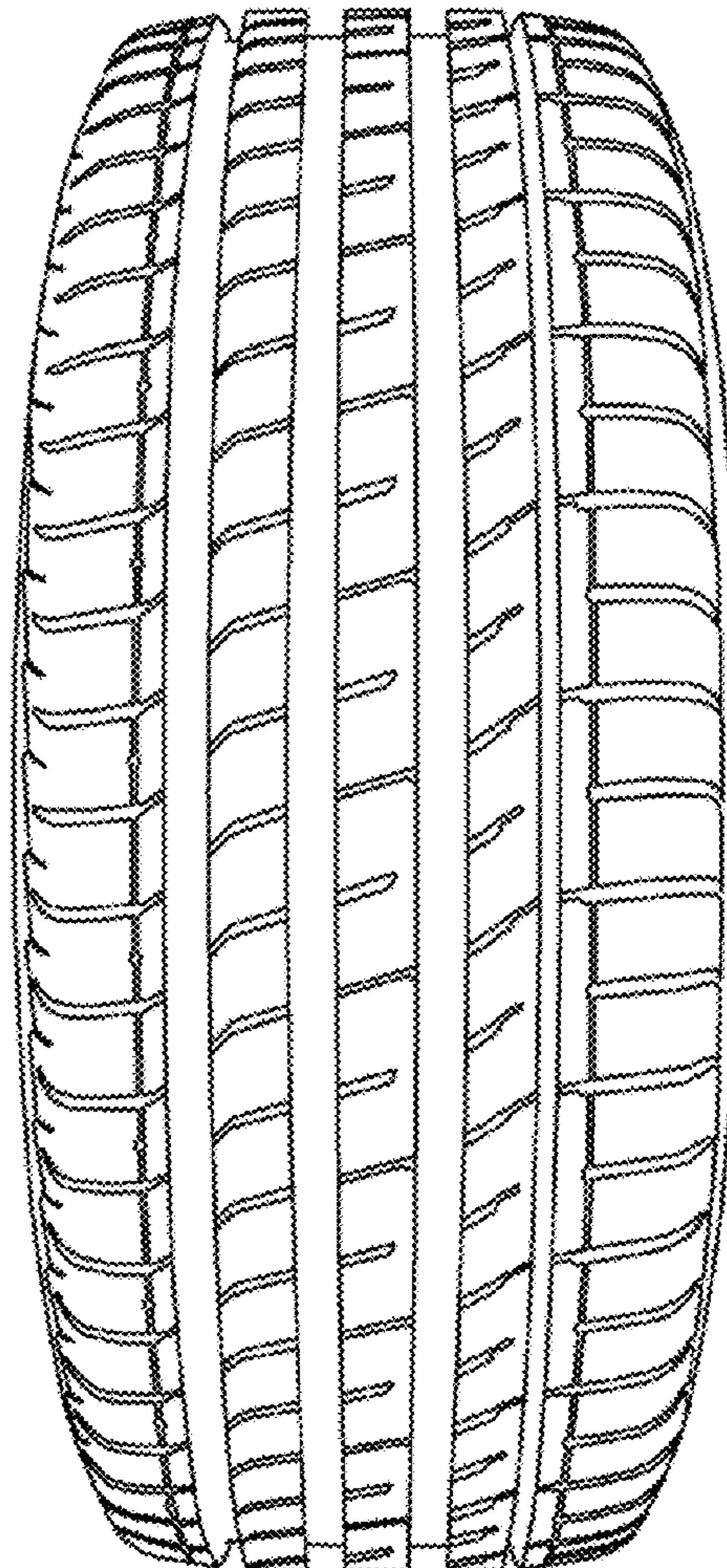
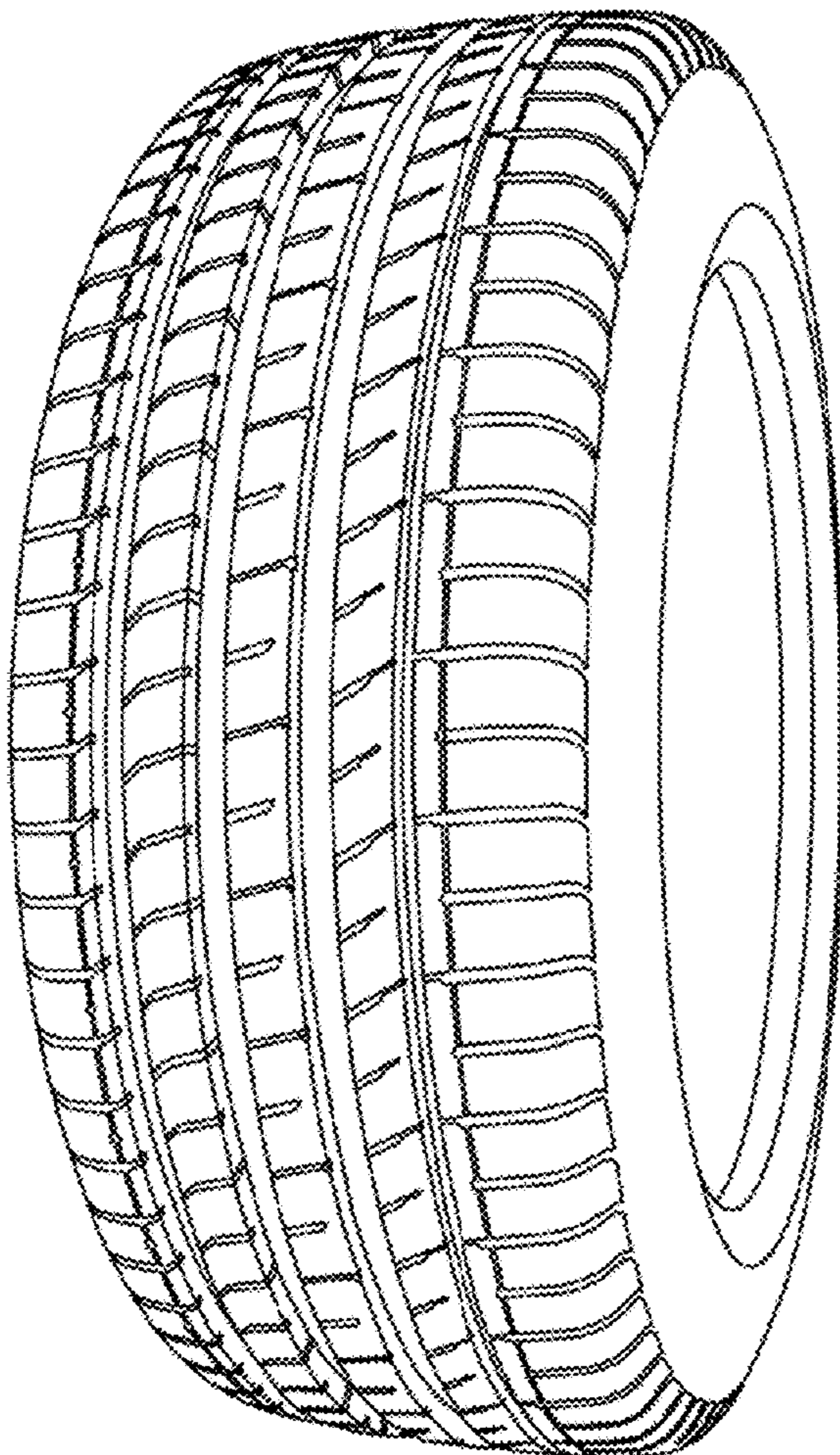


Fig. 1

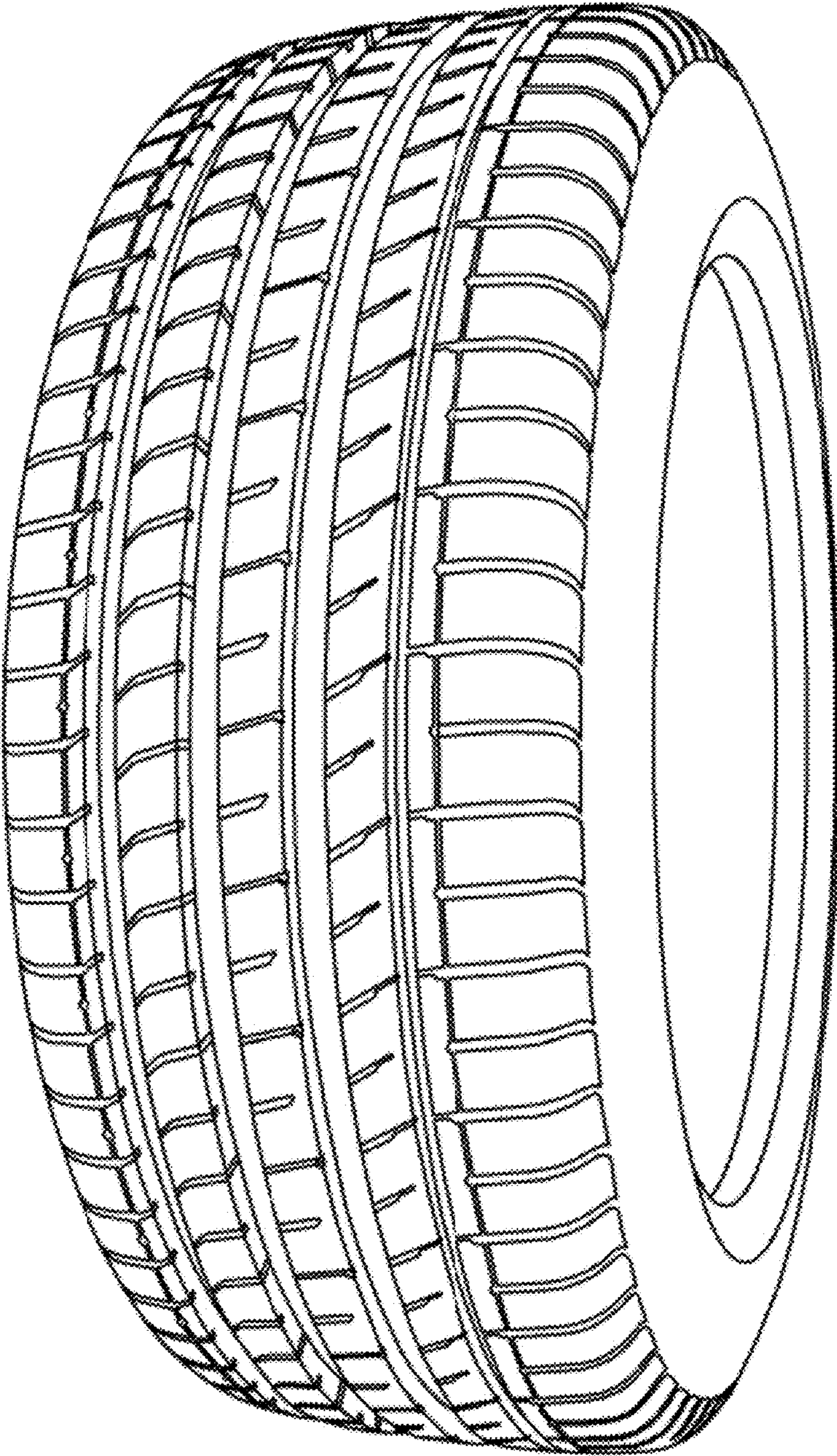


Fig. 2

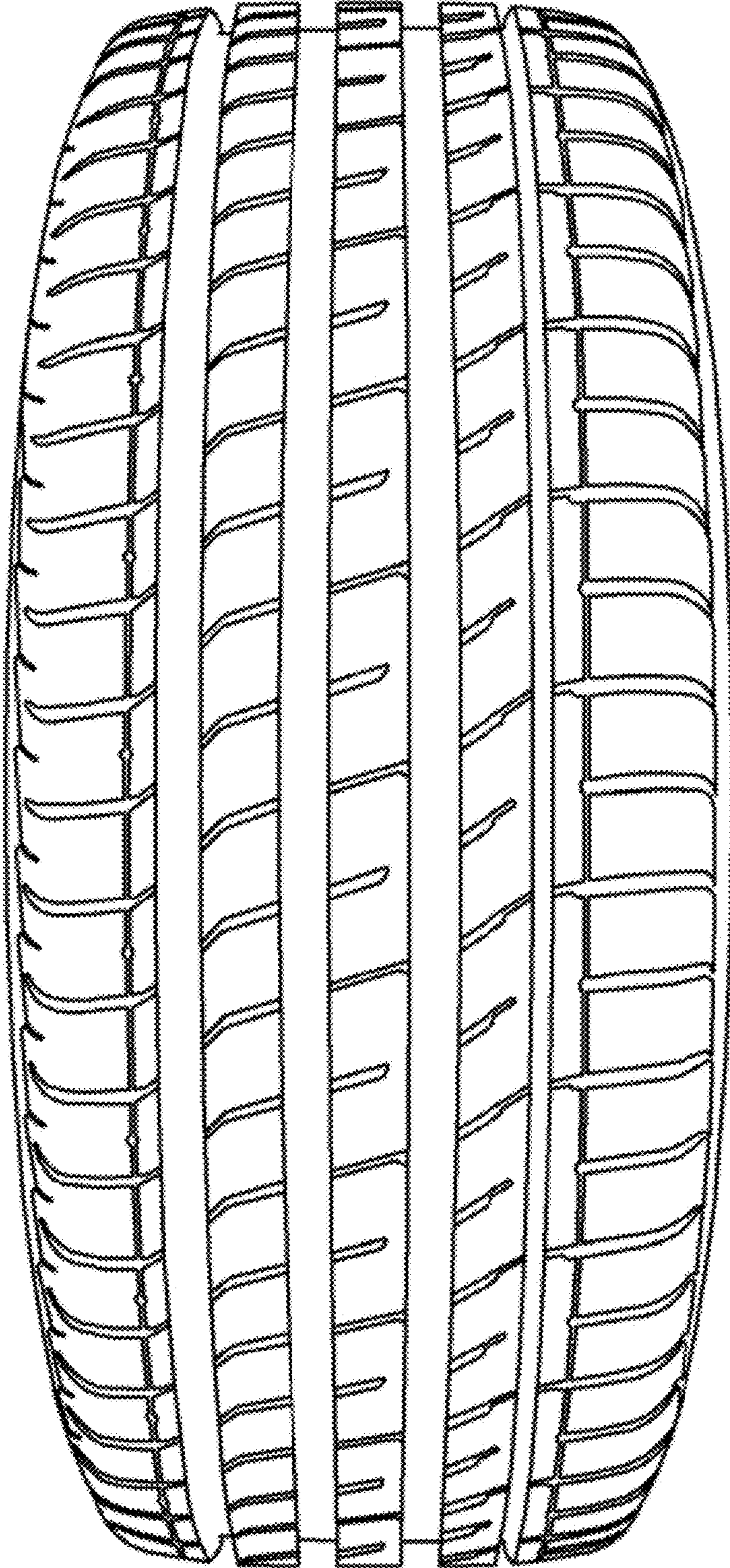


Fig. 3

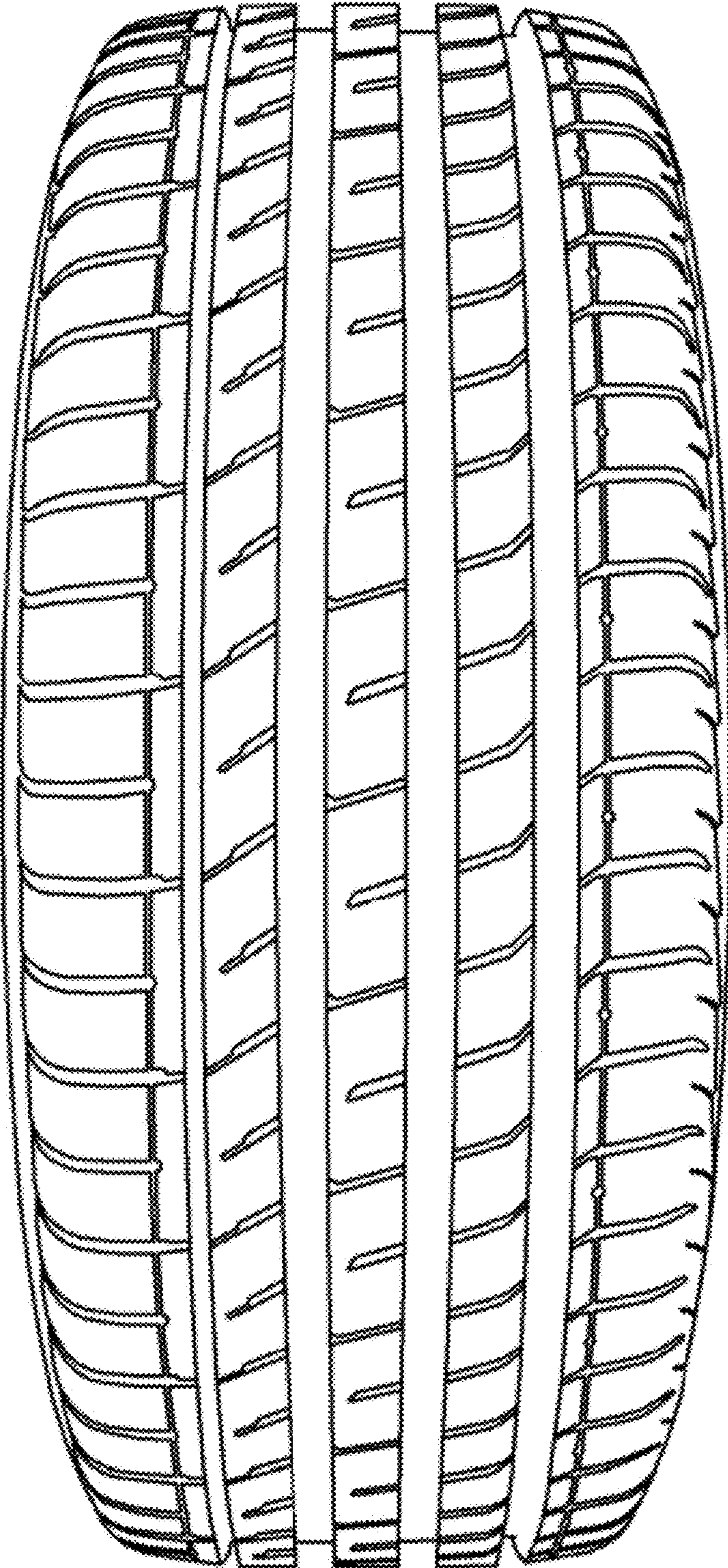


Fig. 4

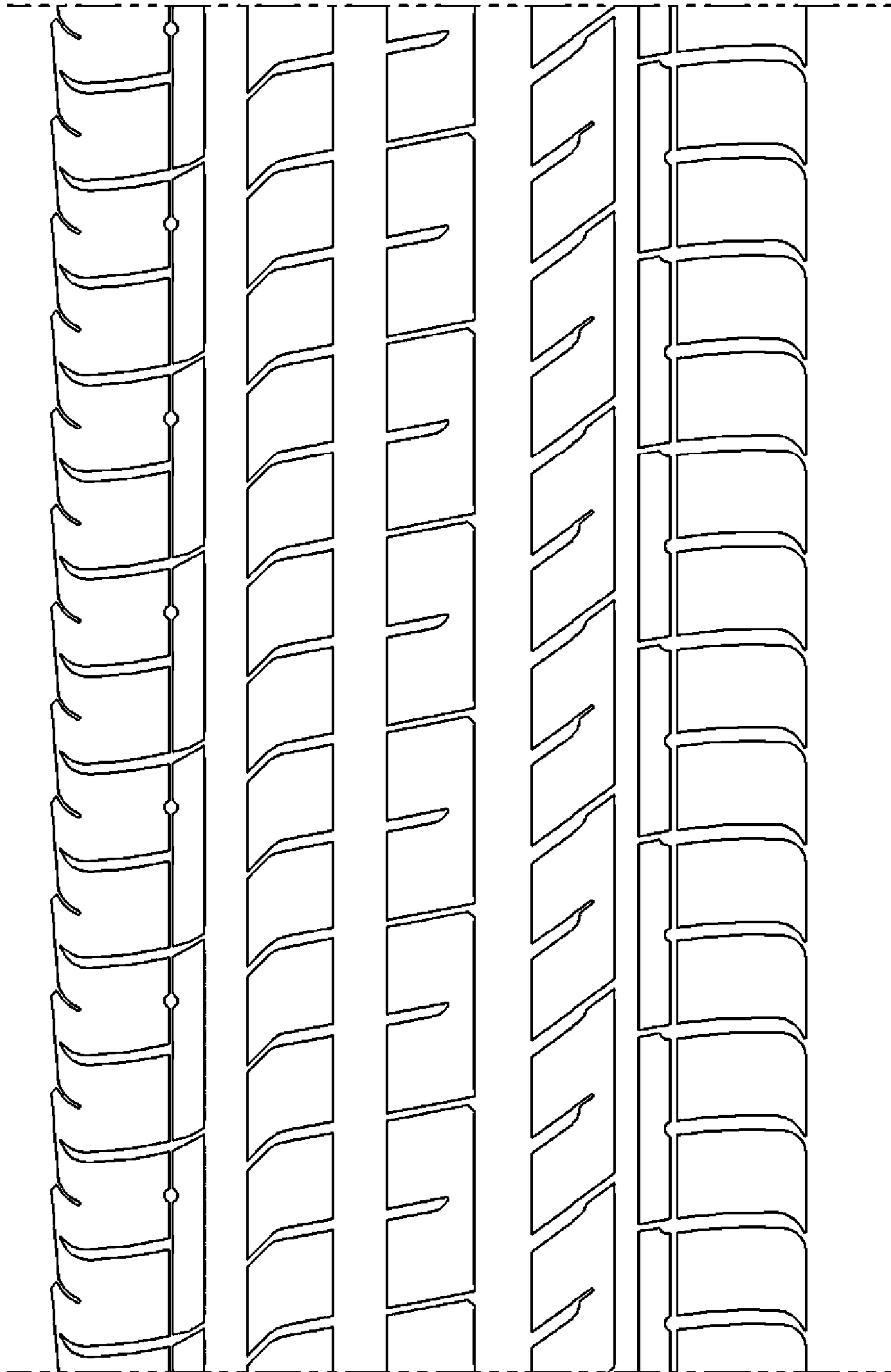


Fig. 5

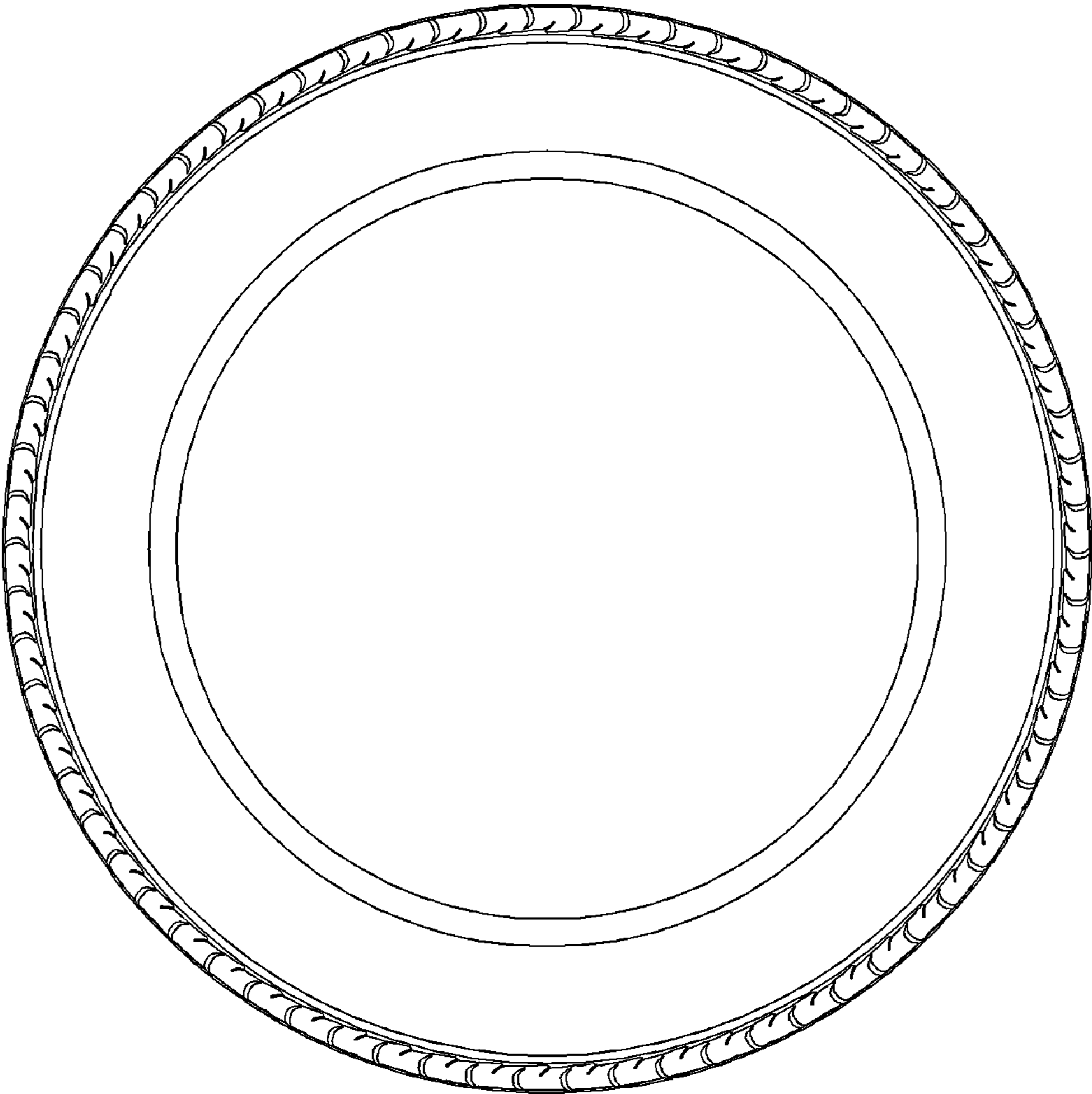


Fig. 6

